

US00D795303S

(12) **United States Design Patent** (10) **Patent No.:** **US D795,303 S**
Ewringmann (45) **Date of Patent:** **** Aug. 22, 2017**

(54) **ROAD PAVING MACHINE**

(71) Applicant: **Joseph Voegele AG**, Ludwigshafen am Rhein (DE)

(72) Inventor: **Ulrich Ewringmann**, Taufkirchen-Potzham (DE)

(73) Assignee: **Joseph Voegele AG**, Ludwigshafen/Rhein (DE)

(**) Term: **15 Years**

(21) Appl. No.: **29/546,014**

(22) Filed: **Nov. 18, 2015**

Related U.S. Application Data

(62) Division of application No. 29/468,956, filed on Oct. 4, 2013, now Pat. No. Des. 753,189.

(30) **Foreign Application Priority Data**

Apr. 12, 2013 (EM) 001369649

(51) **LOC (10) Cl.** **15-03**

(52) **U.S. Cl.**
USPC **D15/22**

(58) **Field of Classification Search**

USPC D15/19, 10, 22-26, 28; 404/110, 101, 404/108, 75, 102, 118, 84.8, 105, 72, 404/84.5

CPC E01C 19/42; E01C 19/48; E01C 19/002; E01C 19/176; E01C 19/402; E01C 19/18; E01C 19/00; E01C 19/182; E01C 23/00; E04F 21/24

See application file for complete search history.

(56) **References Cited**

U.S. PATENT DOCUMENTS

2,591,502 A * 4/1952 Bohannan E01C 19/4873 404/84.2

3,557,672 A 1/1971 Shurtz et al.

3,907,451 A 9/1975 Fisher et al.
D239,966 S 5/1976 Swisher, Jr. et al.
4,272,213 A 6/1981 McGovarin
D324,053 S 2/1992 Smrt
5,201,603 A 4/1993 Bassett et al.
5,203,642 A 4/1993 Heller et al.
5,511,900 A 4/1996 Macku
6,203,243 B1 3/2001 Birtchet
6,273,636 B1 8/2001 Johanpeter
6,375,386 B1 4/2002 Macku et al.
6,890,125 B1 5/2005 Calder et al.
7,121,763 B1 10/2006 Young et al.
D541,310 S 4/2007 Zagorov
7,413,377 B2 8/2008 Pontano, III
D578,142 S * 10/2008 Ewringmann D15/22

(Continued)

FOREIGN PATENT DOCUMENTS

EM 001322689-0003 4/2012
EM 001322689-0004 4/2012

(Continued)

Primary Examiner — Cynthia Ramirez

(74) *Attorney, Agent, or Firm* — Brooks Kushman P.C.

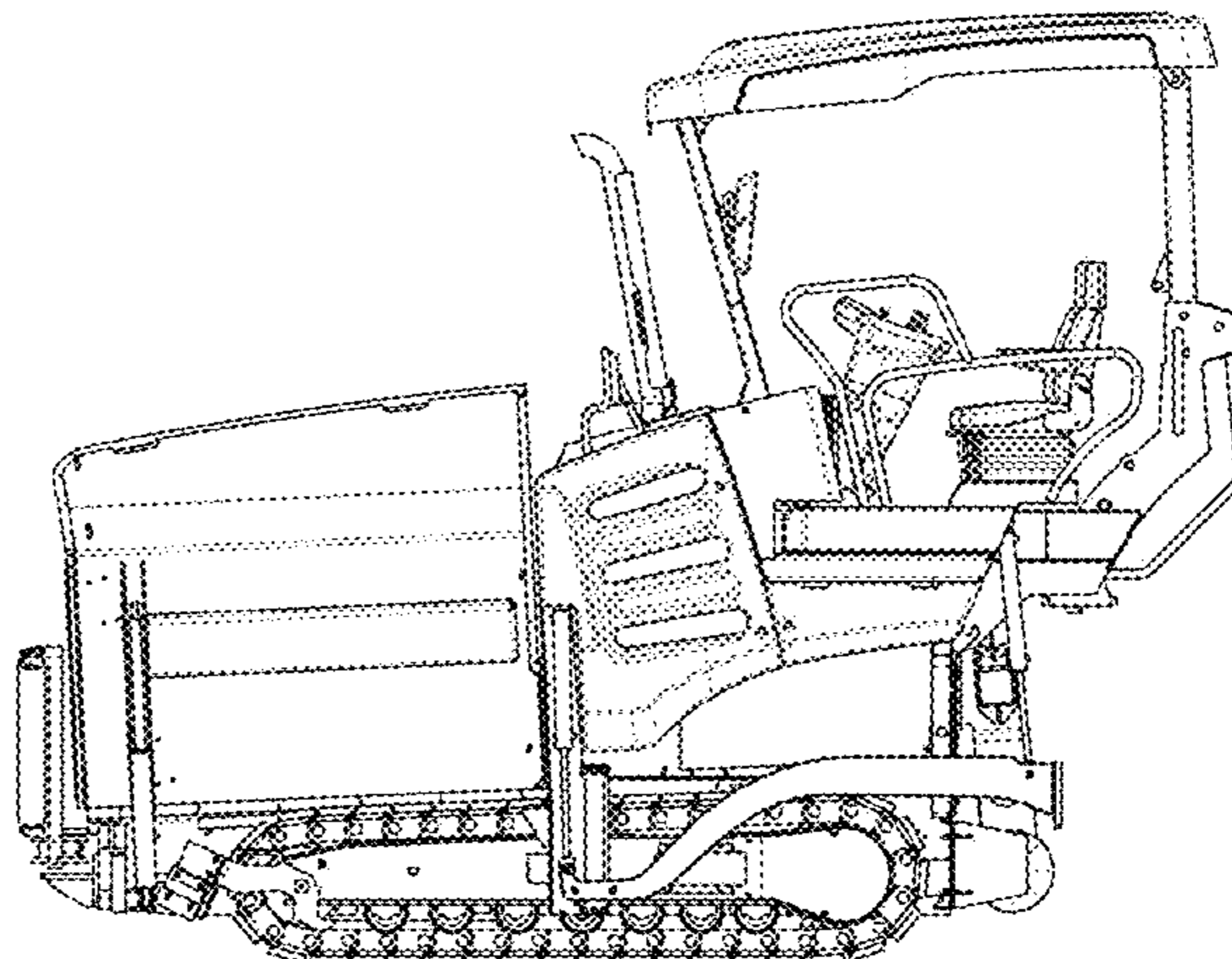
(57) **CLAIM**

The ornamental design for a road paving machine, as shown and described.

DESCRIPTION

FIG. 1 is a left side view of a road paving machine showing my new design;
FIG. 2 is a front view thereof;
FIG. 3 is a right side view thereof;
FIG. 4 is a rear view thereof;
FIG. 5 is a top view thereof;
FIG. 6 is a front, left, top perspective view thereof; and,
FIG. 7 is a rear, right, top perspective view thereof.

1 Claim, 7 Drawing Sheets



(56)

References Cited

U.S. PATENT DOCUMENTS

7,651,295	B2	1/2010	Eppes et al.	
D650,396	S	12/2011	Ewringmann	
8,221,026	B2	7/2012	Munz et al.	
D673,981	S	1/2013	Kopacz et al.	
8,591,145	B1	11/2013	Engel et al.	
D700,633	S	* 3/2014	Giles	D15/28
D719,984	S	12/2014	Viertola et al.	
D726,778	S	4/2015	Little et al.	
D728,634	S	5/2015	Alpsten et al.	
D755,252	S	* 5/2016	Ewringmann	D15/22
D768,729	S	10/2016	Long et al.	
D775,239	S	12/2016	Brooks et al.	
D775,449	S	12/2016	Babel et al.	
2007/0258769	A1	11/2007	Eppes	
2014/0119826	A1	5/2014	Graham et al.	
2014/0308073	A1	10/2014	Delius	
2014/0328626	A1	11/2014	Smieja et al.	
2015/0010355	A1	1/2015	Kopacz et al.	
2015/0152607	A1	6/2015	Kappel	

FOREIGN PATENT DOCUMENTS

EM	001322689-0005	4/2012
EM	001322689-0006	4/2012
EM	001322689-0007	4/2012
EM	001322689-0008	4/2012
EM	001322689-0010	4/2012
EM	001322689-0011	4/2012
EM	001322689-0012	4/2012
EM	001322689-0013	4/2012
EM	001289920-0001	7/2012
EM	001289920-0002	7/2012
EM	001289920-0003	7/2012
EM	001289920-0004	7/2012
EM	001289920-0005	7/2012
EM	001289920-0006	7/2012

EM	001289920-0007	7/2012
EM	001289920-0008	7/2012
EM	001289920-0009	7/2012
EM	001289920-0010	7/2012
EM	001289920-0011	7/2012
EM	001289920-0012	7/2012
EM	001289920-0013	7/2012
EM	001289920-0014	7/2012
EM	001289920-0015	7/2012
EM	001289920-0016	7/2012
EM	001289920-0017	7/2012
EM	001289920-0018	7/2012
EM	001289920-0019	7/2012
EM	001289920-0020	7/2012
EM	001289920-0021	7/2012
EM	001289920-0022	7/2012
EM	001289920-0023	7/2012
EM	001289920-0024	7/2012
EM	001289920-0025	7/2012
EM	001289920-0026	7/2012
EM	001289920-0027	7/2012
EM	001289920-0028	7/2012
EM	001289920-0029	7/2012
EM	001289920-0030	7/2012
EM	001289920-0031	7/2012
EM	001289920-0032	7/2012
EM	001289920-0033	7/2012
EM	001289920-0034	7/2012
EM	001289920-0035	7/2012
EM	001289920-0036	7/2012
EM	001289920-0037	7/2012
EM	001289920-0038	7/2012
EM	001289920-0039	7/2012
EM	001289920-0040	7/2012
EM	001289920-0041	7/2012
EM	001289920-0042	7/2012
EM	001289920-0043	7/2012
EM	001289920-0044	7/2012

* cited by examiner

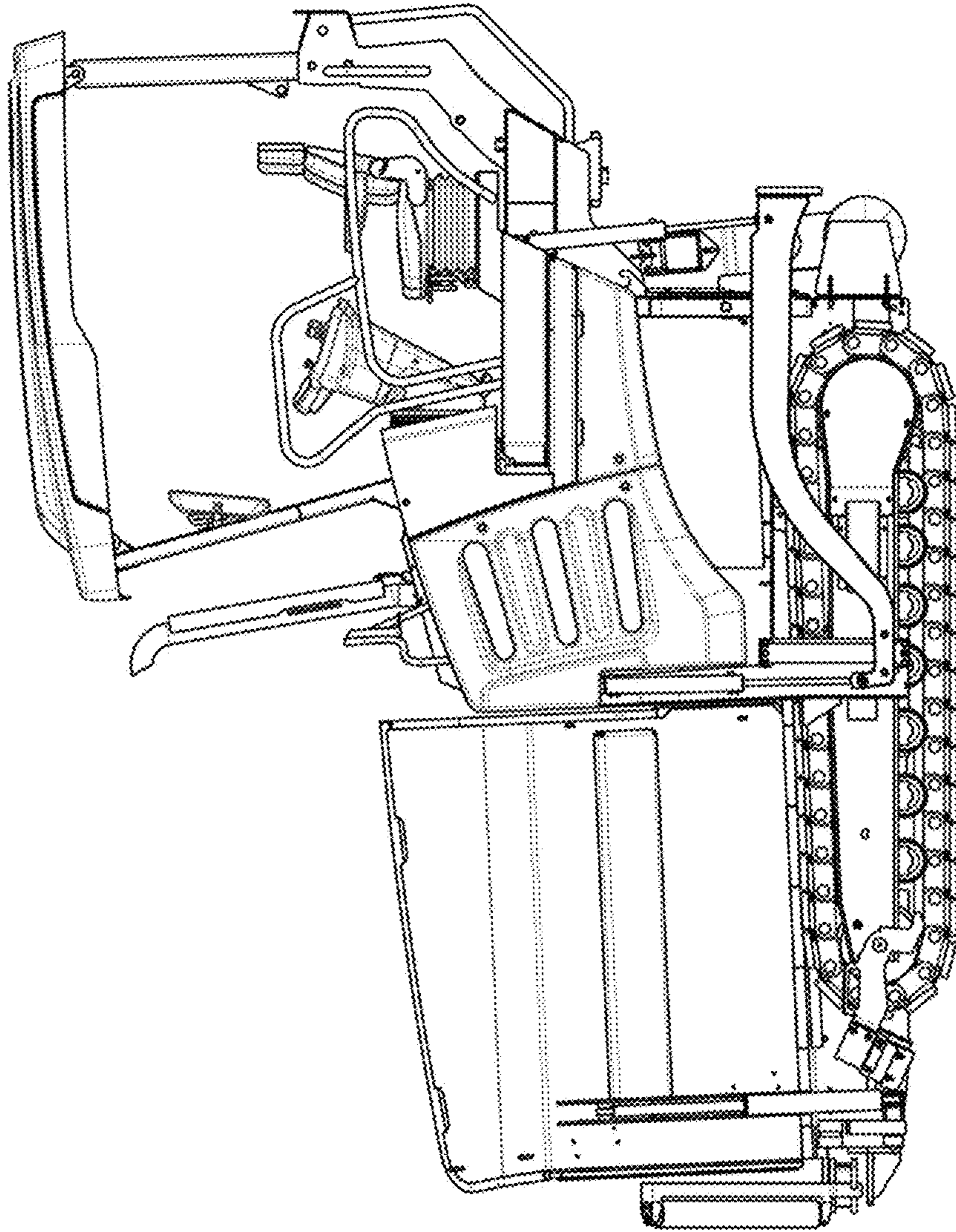


Fig. 1

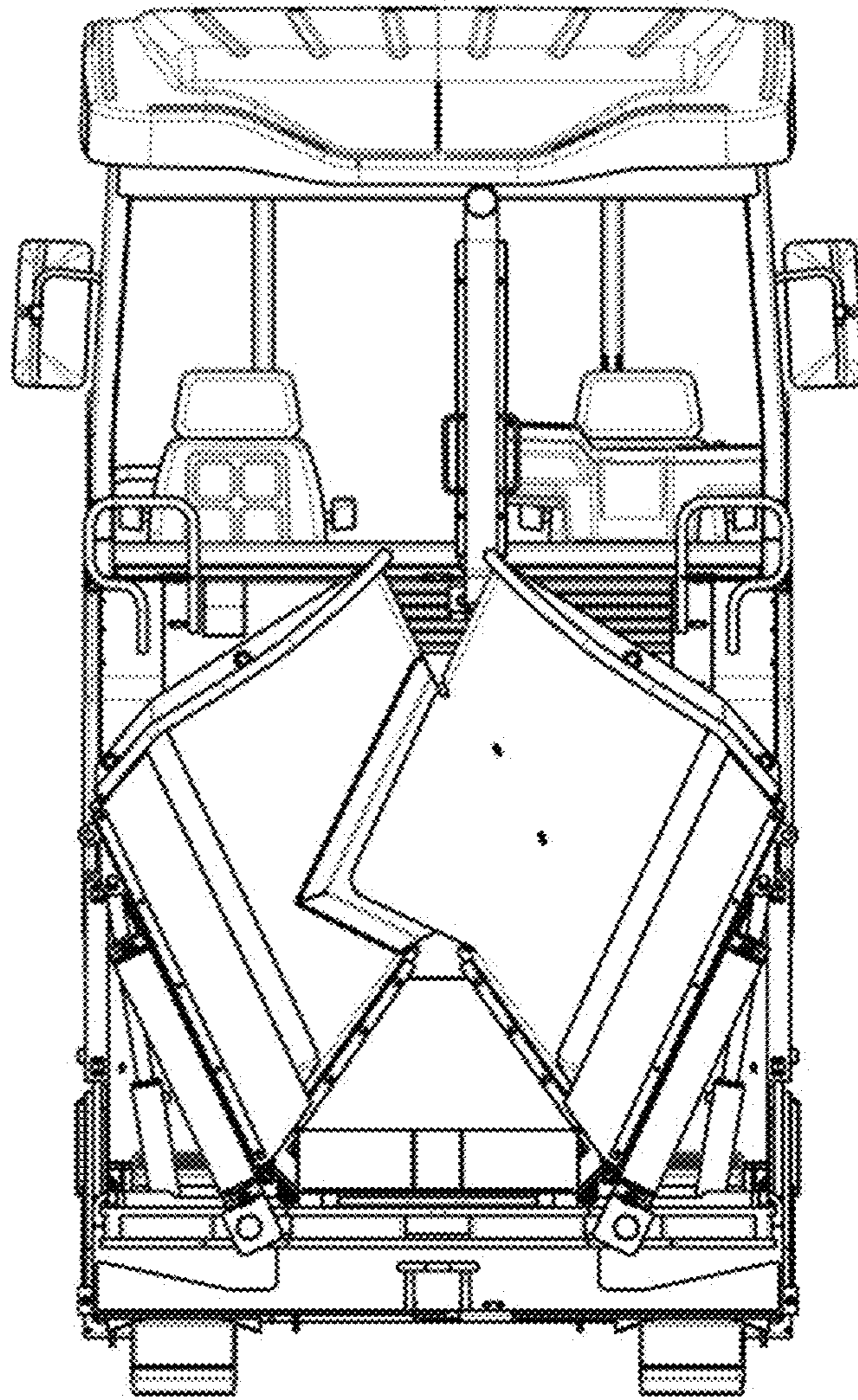


Fig. 2

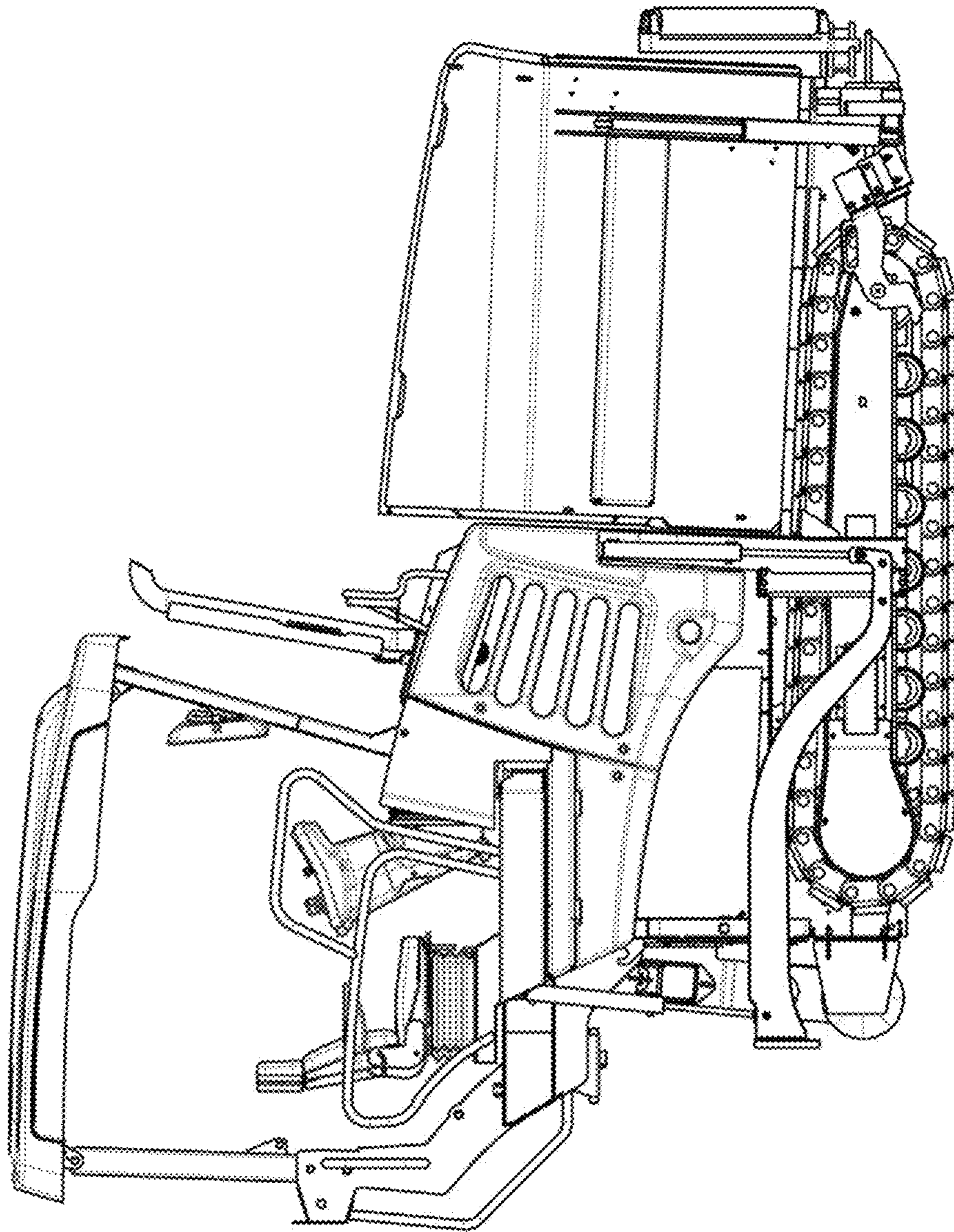


Fig. 3

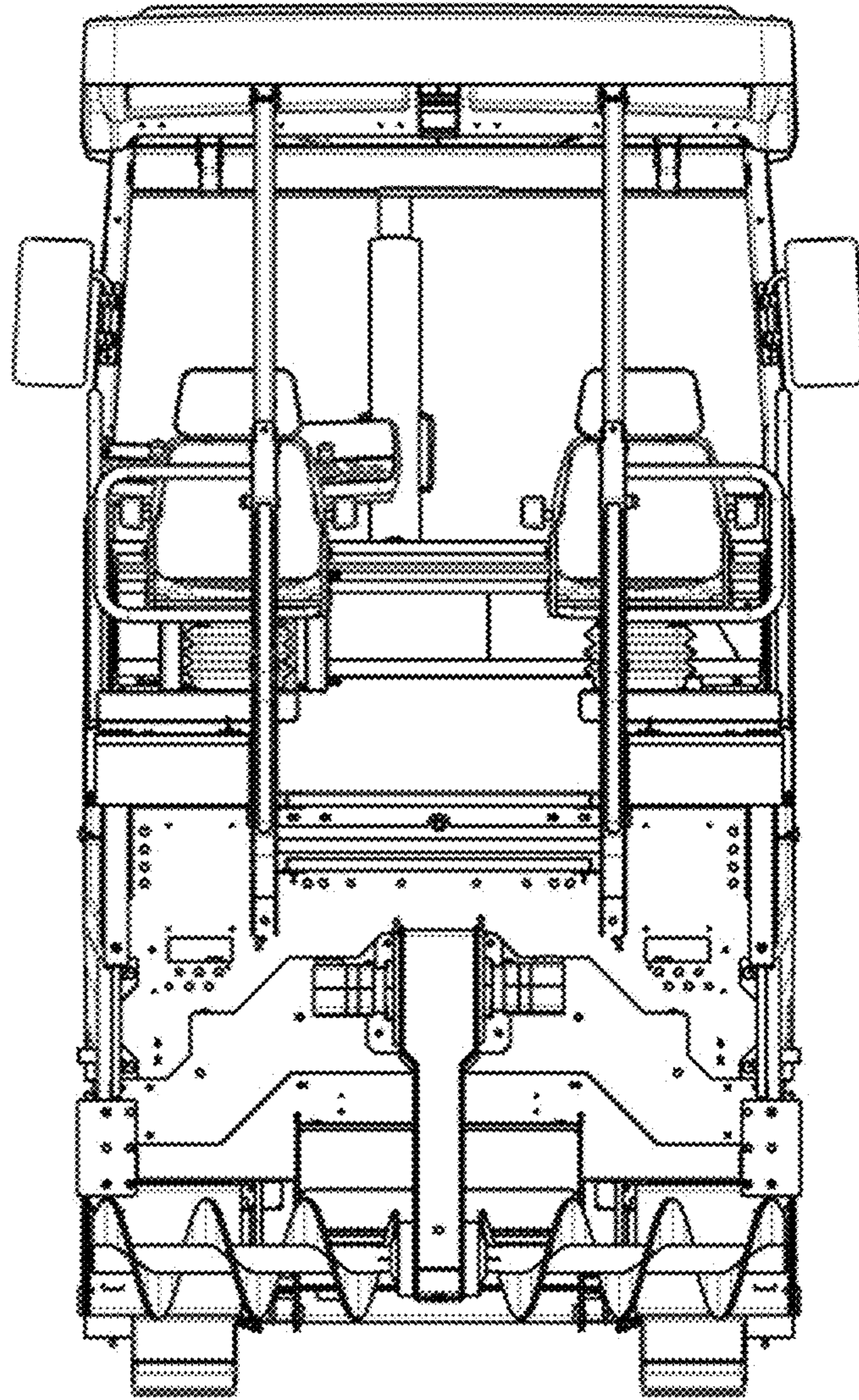


Fig. 4

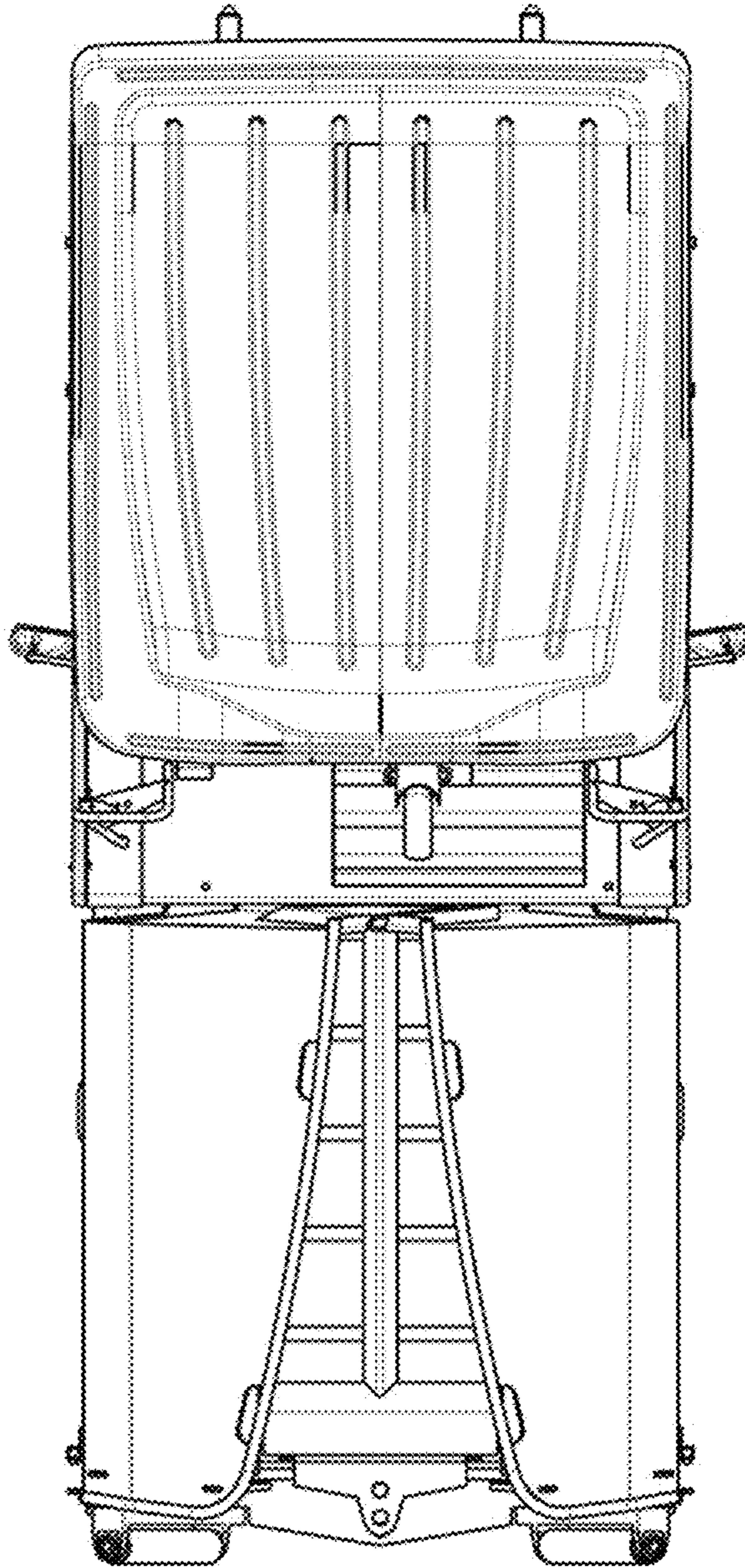


Fig. 5

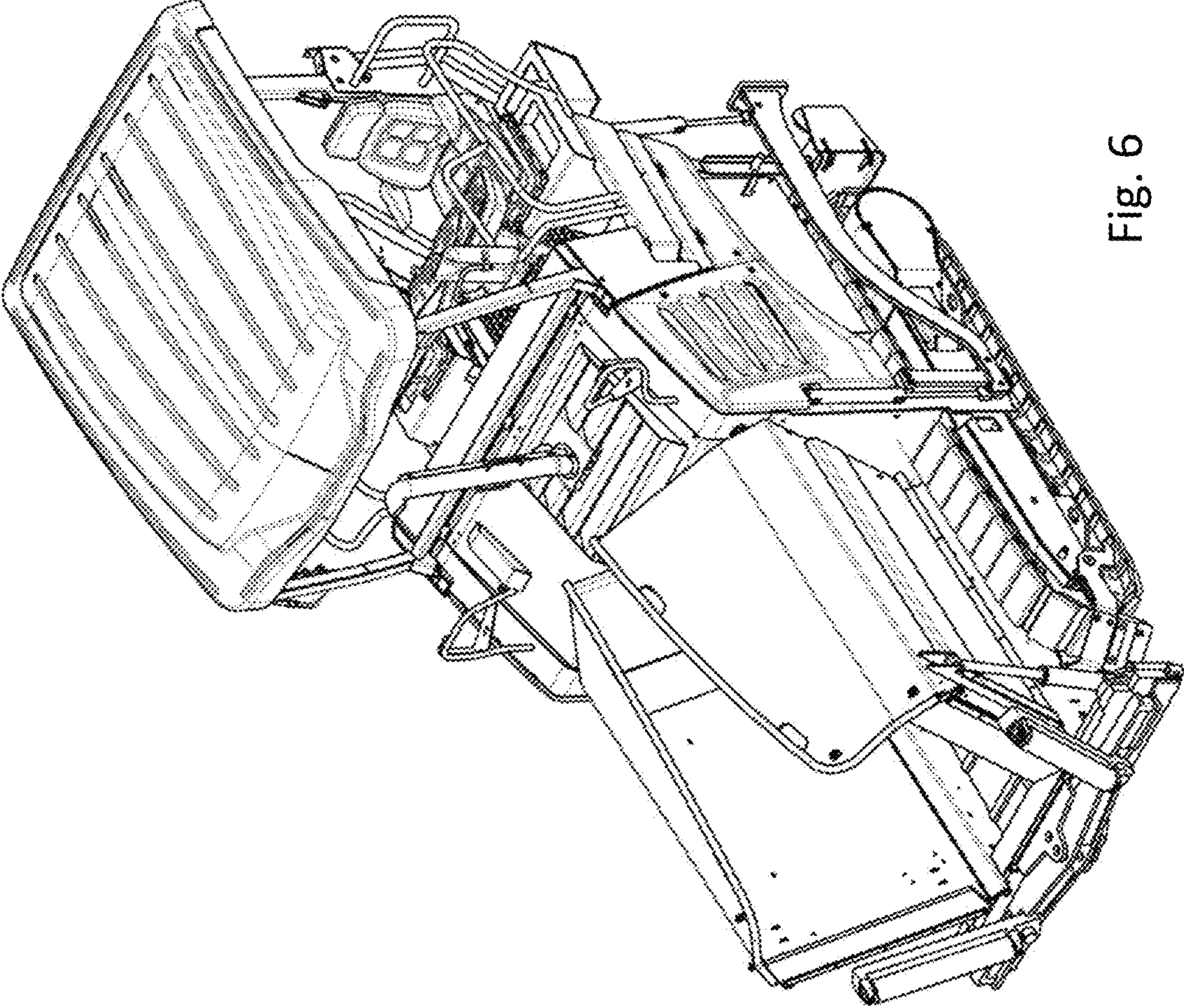


Fig. 6

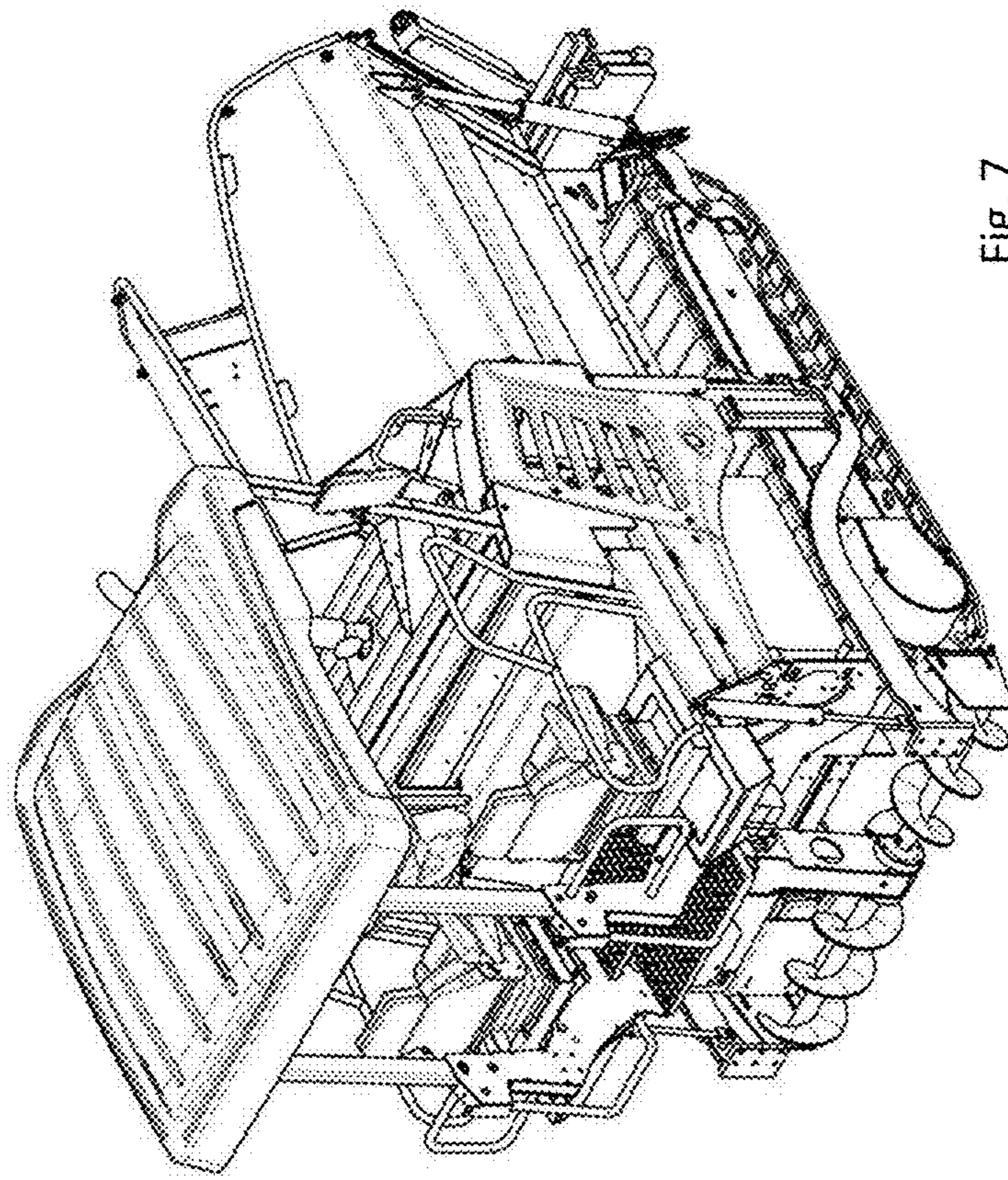


Fig. 7