



US00D795301S

(12) **United States Design Patent** (10) **Patent No.:** **US D795,301 S**
Gentile et al. (45) **Date of Patent:** **** Aug. 22, 2017**

(54) **LAWNMOWER BLADE** 5,287,686 A * 2/1994 Lindsay A01D 34/73
30/347
(71) Applicant: **ALLSTAR PRODUCTS GROUP** D370,489 S * 6/1996 Taggett D15/17
LLC, Hawthorne, NY (US) D396,174 S * 7/1998 Schultz D15/17
D574,860 S * 8/2008 Potts D15/17
(72) Inventors: **Thomas Gentile, Mahopac, NY (US);** D577,372 S * 9/2008 Hung D15/17
Michael Degirolamo, Wilton, CT (US); D656,519 S * 3/2012 Funnell D15/17
Alberto Manzon, Fiume Veneto (IT) D662,520 S * 6/2012 Nikkel D15/17
D745,061 S * 12/2015 DeLeon D15/17
(73) Assignee: **ALLSTAR PRODUCTS GROUP,** D774,556 S * 12/2016 Gentile D15/17
LLC, Hawthorne, NY (US) D778,960 S * 2/2017 Manzon D15/17

* cited by examiner

(**) Term: **15 Years**

Primary Examiner — Ian Simmons

(21) Appl. No.: **29/581,178**

Assistant Examiner — Khawaja Anwar

(22) Filed: **Oct. 17, 2016**

(74) *Attorney, Agent, or Firm* — Andrew F. Young, Esq.;
Lackebach Siegel, LLP

Related U.S. Application Data

(63) Continuation of application No. 29/538,654, filed on
Sep. 4, 2015, now Pat. No. Des. 774,556.

(57) **CLAIM**

The ornamental design for a lawnmower blade, as shown
and described.

(30) **Foreign Application Priority Data**

Mar. 9, 2015 (EM) 002649111

(51) **LOC (10) Cl.** **15-03**

(52) **U.S. Cl.**

USPC **D15/17**

(58) **Field of Classification Search**

USPC D15/14–18, 28, 32; D8/4–12, 16, 20

CPC A01D 34/005; A01D 34/73; A01D 34/13;

A01D 34/40; A01D 34/10; A01D

34/73352; A01D 34/42; A01D 34/00;

A01D 34/826

See application file for complete search history.

DESCRIPTION

FIG. 1 is a perspective view of a lawnmower blade, showing
our new design;

FIG. 2 is a left side elevation view thereof;

FIG. 3 is a right side elevation view thereof;

FIG. 4 is a front side elevation view thereof;

FIG. 5 is a rear side elevation view thereof;

FIG. 6 is a top plan view thereof; and,

FIG. 7 is a bottom plan view thereof.

The portions shown in the drawings represent unclaimed
environment only and form no part of the claimed design.

The surfaces are lightly lined for contour only. No claim is
made to surface texture of the particular design.

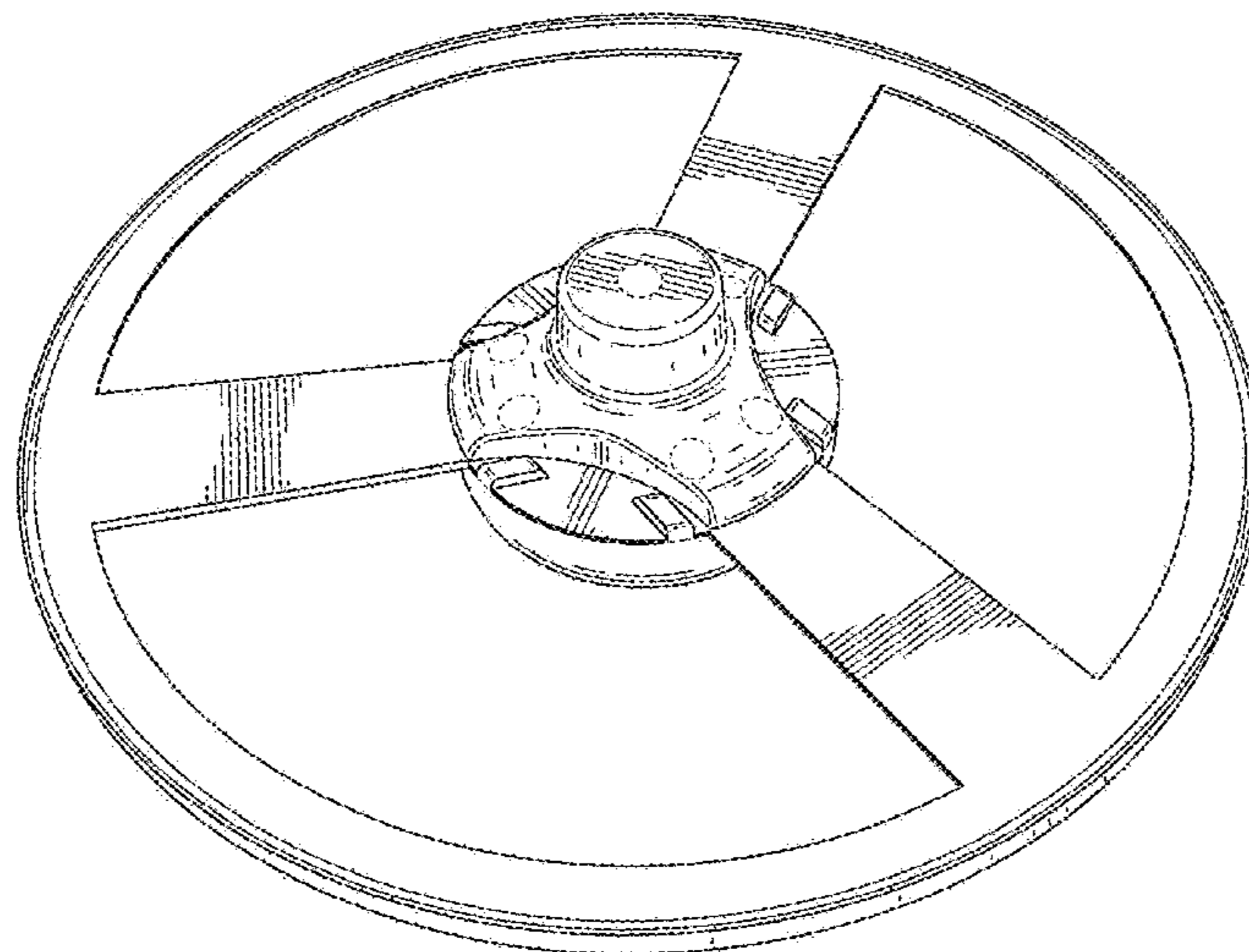
(56) **References Cited**

U.S. PATENT DOCUMENTS

D280,903 S * 10/1985 Barbula D15/17

D326,458 S * 5/1992 Huber, Jr. D15/17

1 Claim, 5 Drawing Sheets



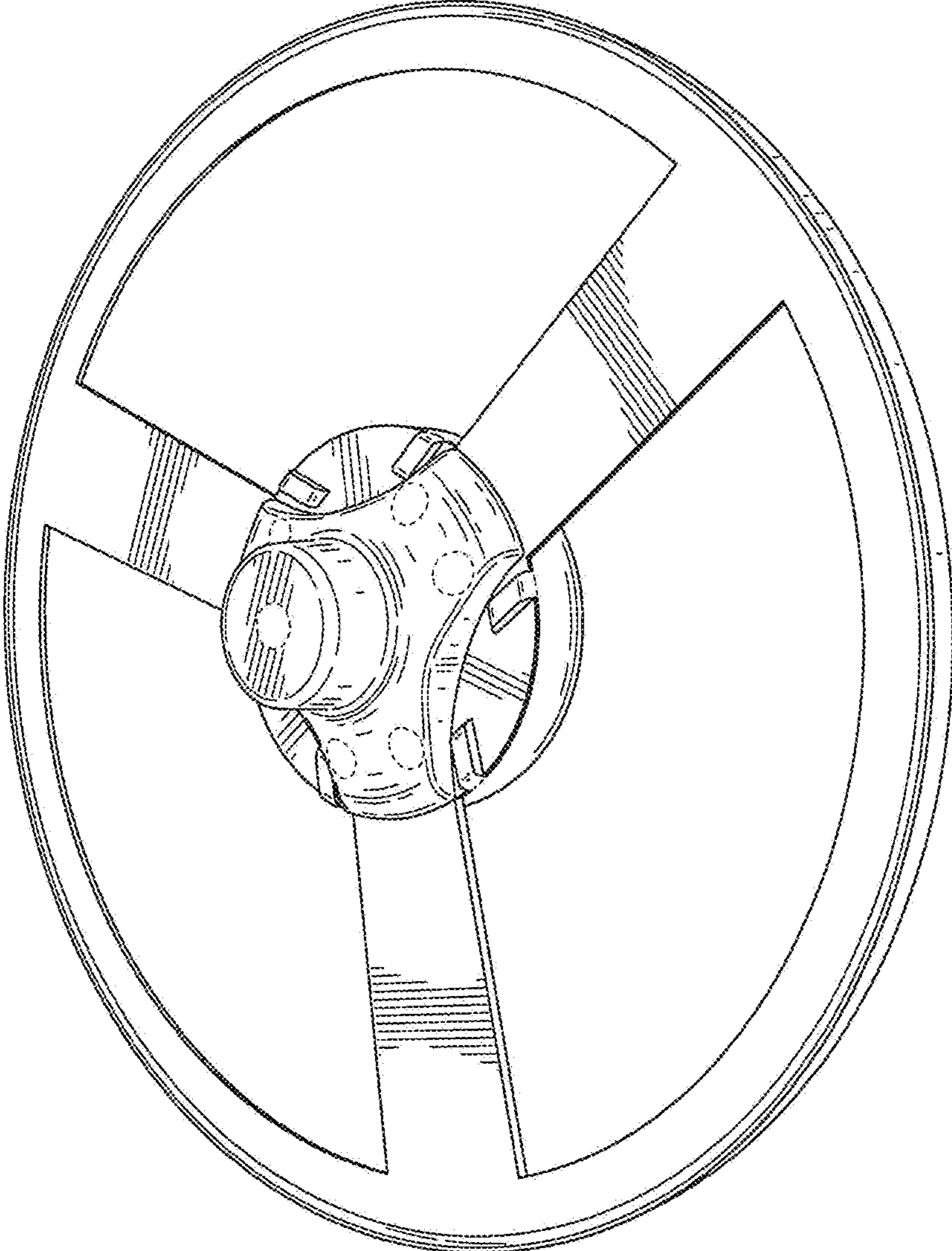


FIG. 1

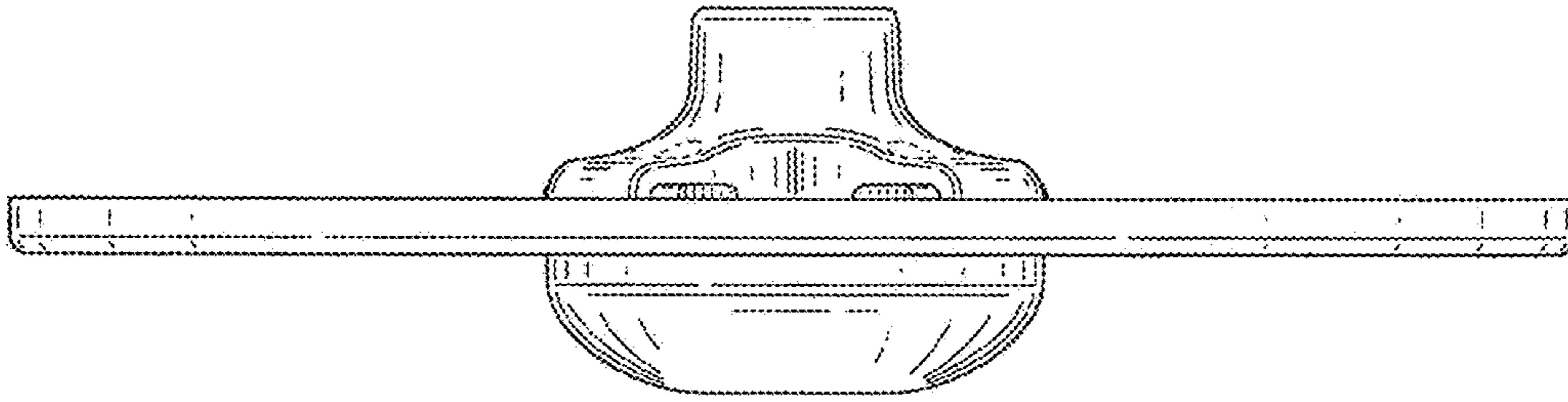


FIG. 2

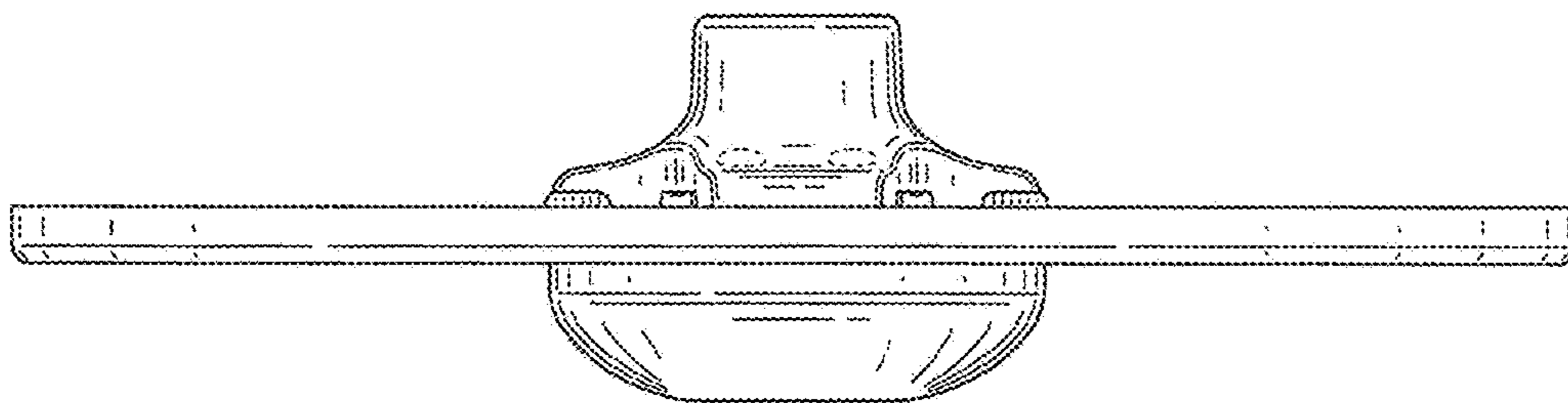


FIG. 3

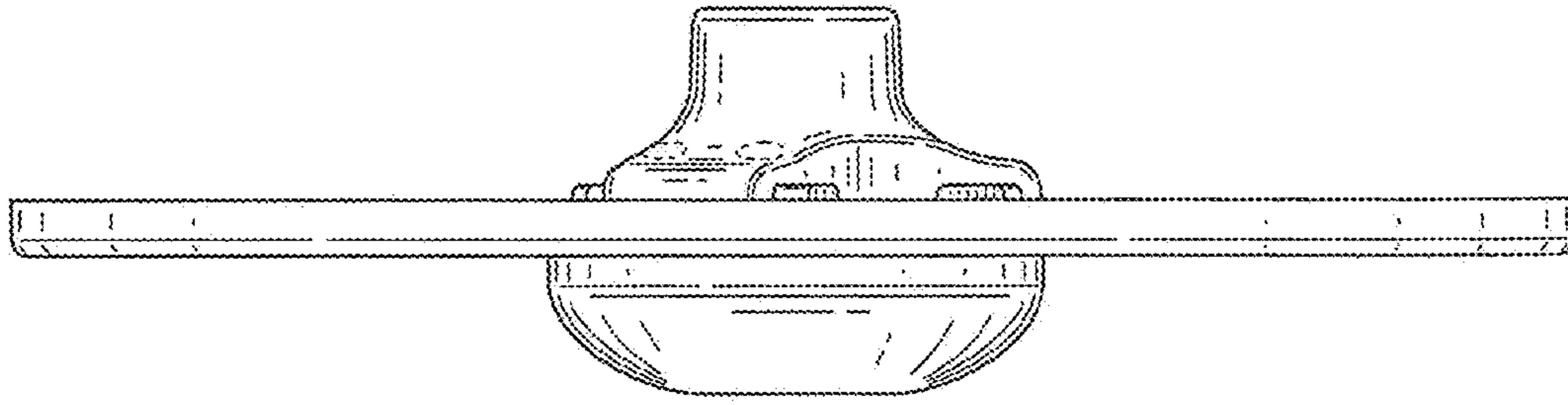


FIG. 4

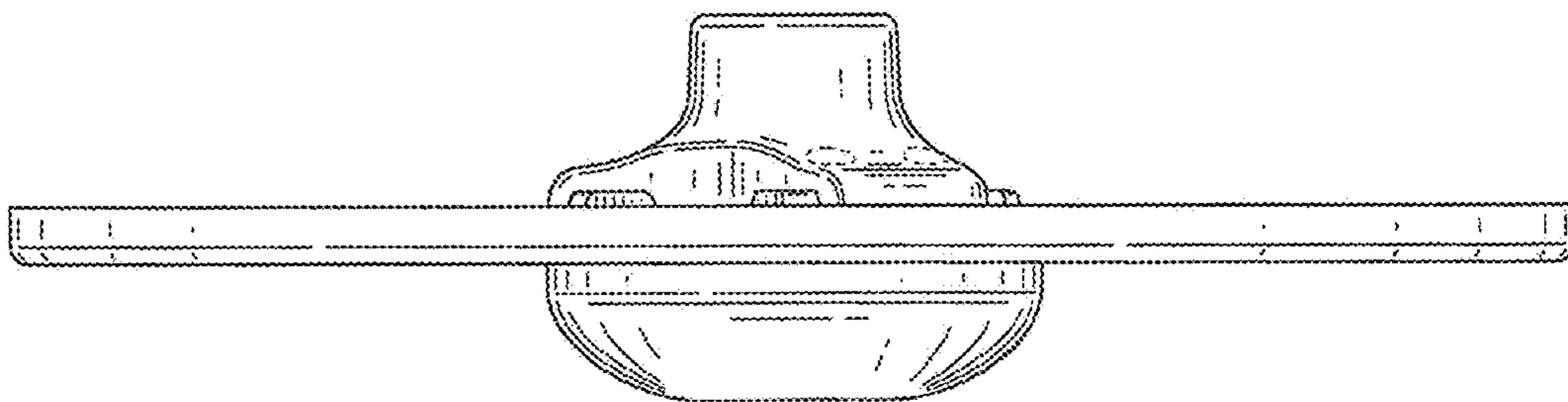


FIG. 5

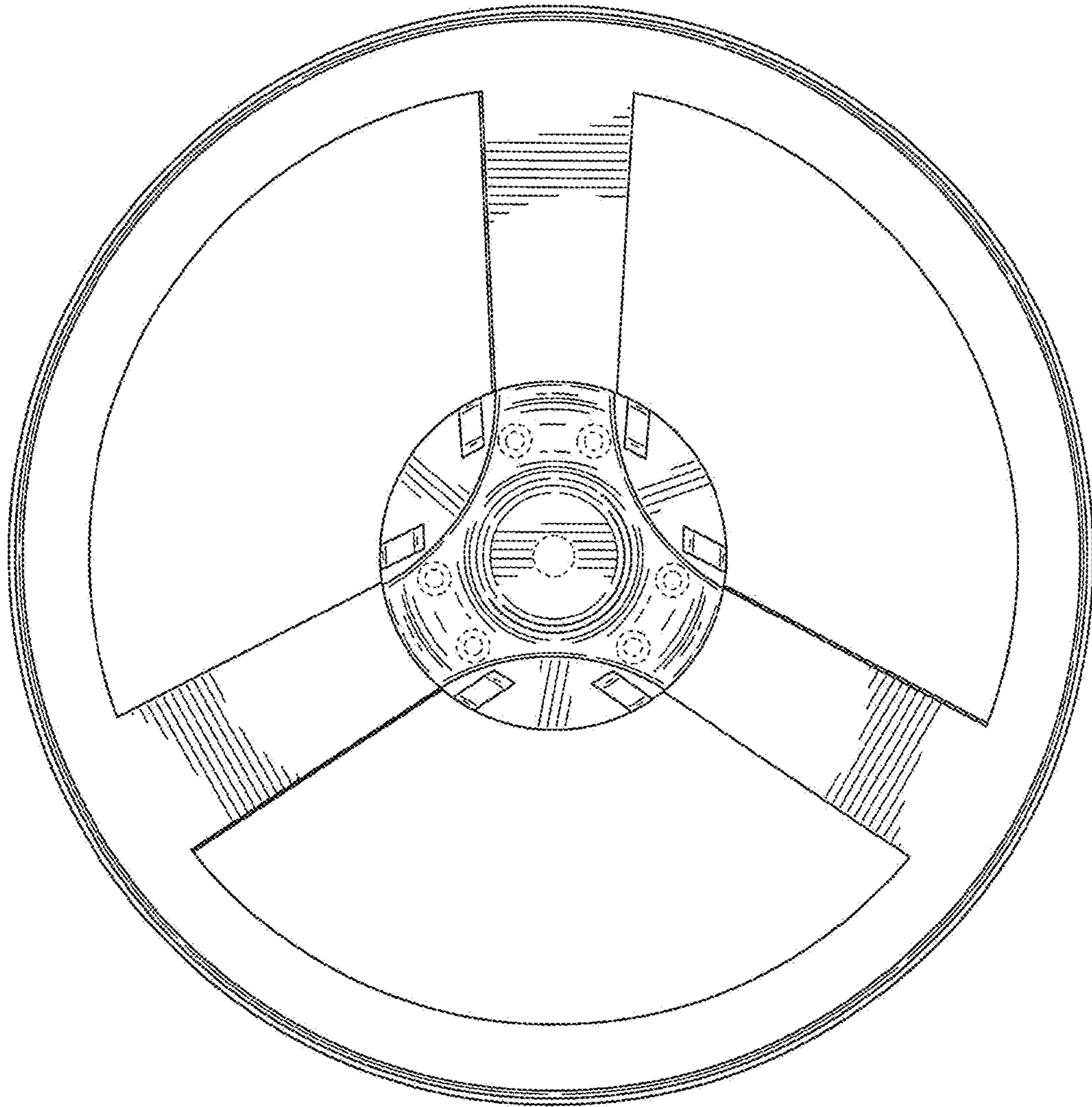


FIG. 6

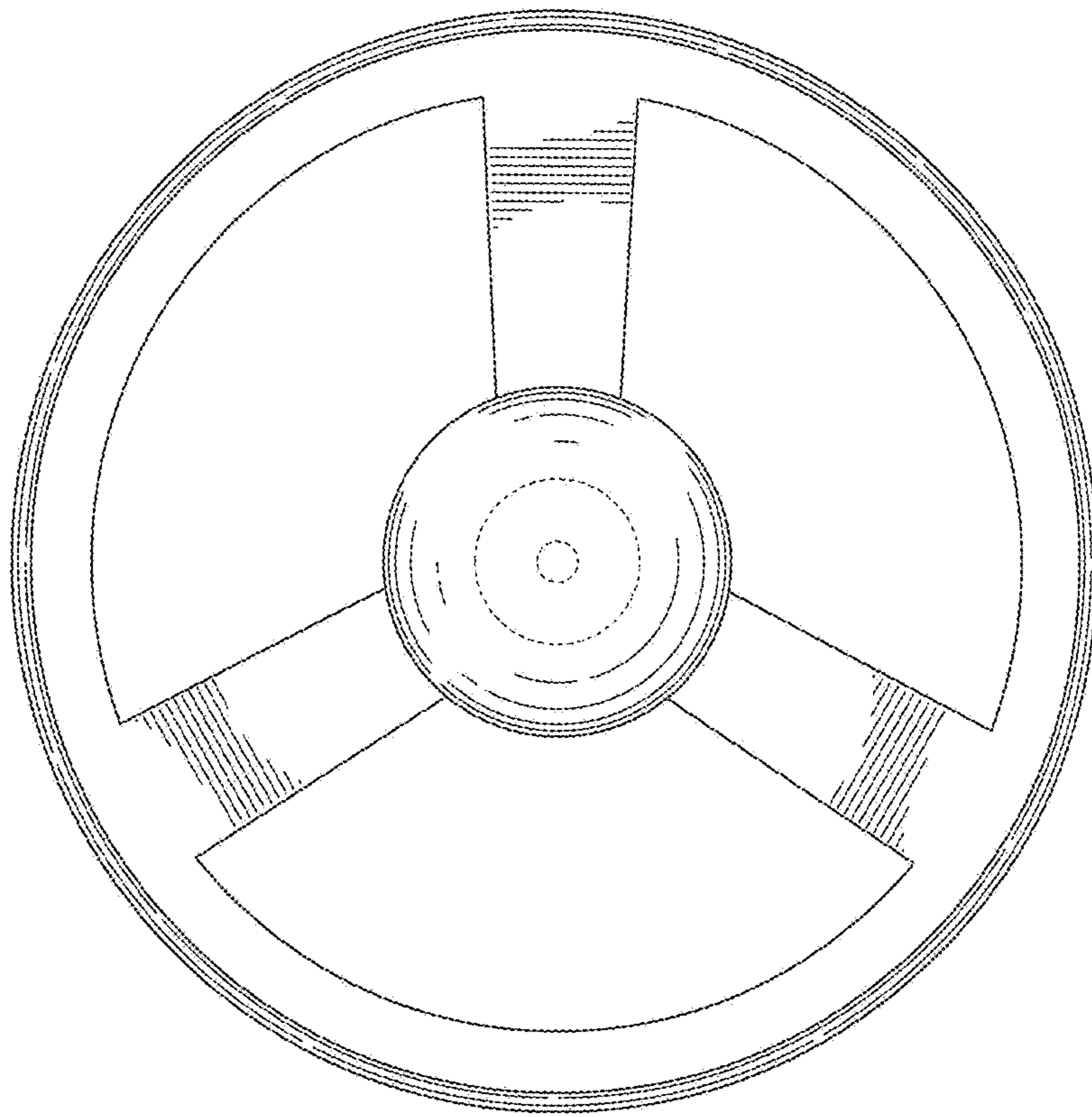


FIG. 7