



US00D795298S

(12) **United States Design Patent** (10) **Patent No.:** **US D795,298 S**
Hanna et al. (45) **Date of Patent:** **** Aug. 22, 2017**

(54) **ENGINE BLOWER HOUSING AND AIR CLEANER COVER**

(71) Applicant: **Kohler Co.**, Kohler, WI (US)

(72) Inventors: **Ken Hanna**, Bellingham, WA (US); **Tim Vant Hoff**, Campbellsport, WI (US); **Heather Ackeret**, Cedar Grove, WI (US); **Ronald Mittelstaedt**, Kiel, WI (US); **Shawn Bozarth**, Cleveland, WI (US); **Eric B. Hudak**, Sheboygan, WI (US); **Alexander Weldum**, Sheboygan, WI (US)

(73) Assignee: **Kohler Co.**, Kohler, WI (US)

(**) Term: **15 Years**

(21) Appl. No.: **29/564,544**

(22) Filed: **May 13, 2016**

(51) **LOC (10) Cl.** **15-01**

(52) **U.S. Cl.**
USPC **D15/5**

(58) **Field of Classification Search**
USPC D15/1-6; 123/41.7
CPC F02B 63/02; F02B 63/044; F02B 2730/00;
F01P 5/06; F01P 11/12; F01P 11/00;
F04D 29/40; F02M 35/06; F02M
35/1017; F02M 26/72; F02M 35/0201;
F02M 35/10288
See application file for complete search history.

(56) **References Cited**

U.S. PATENT DOCUMENTS

D148,396 S	1/1948	Stevens et al.
2,920,717 A	1/1960	Tuttle et al.
3,006,437 A	10/1961	Lowther
D226,774 S	4/1973	Skyer et al.
4,233,043 A	11/1980	Catterson
4,510,739 A	4/1985	Dluhosch
4,783,207 A	11/1988	Nagashima et al.

4,813,385 A	3/1989	Yamaguchi et al.
5,197,426 A	3/1993	Frangesch et al.
D343,843 S	2/1994	Mikado
5,632,243 A	5/1997	Buchholz
5,813,384 A	9/1998	Lavender et al.
6,355,077 B1	3/2002	Chittenden et al.
6,474,290 B1	11/2002	Coffey et al.
D471,560 S	3/2003	Davis
D479,244 S	9/2003	Kern et al.

(Continued)

FOREIGN PATENT DOCUMENTS

JP 1256244 B2 4/2009

OTHER PUBLICATIONS

Kohler Co., Kohler Confidant ZT710-ZT740 Service Manual, 2015.
(Continued)

Primary Examiner — T. Chase Nelson

Assistant Examiner — Ania Aman

(74) *Attorney, Agent, or Firm* — Husch Blackwell LLP

(57) **CLAIM**

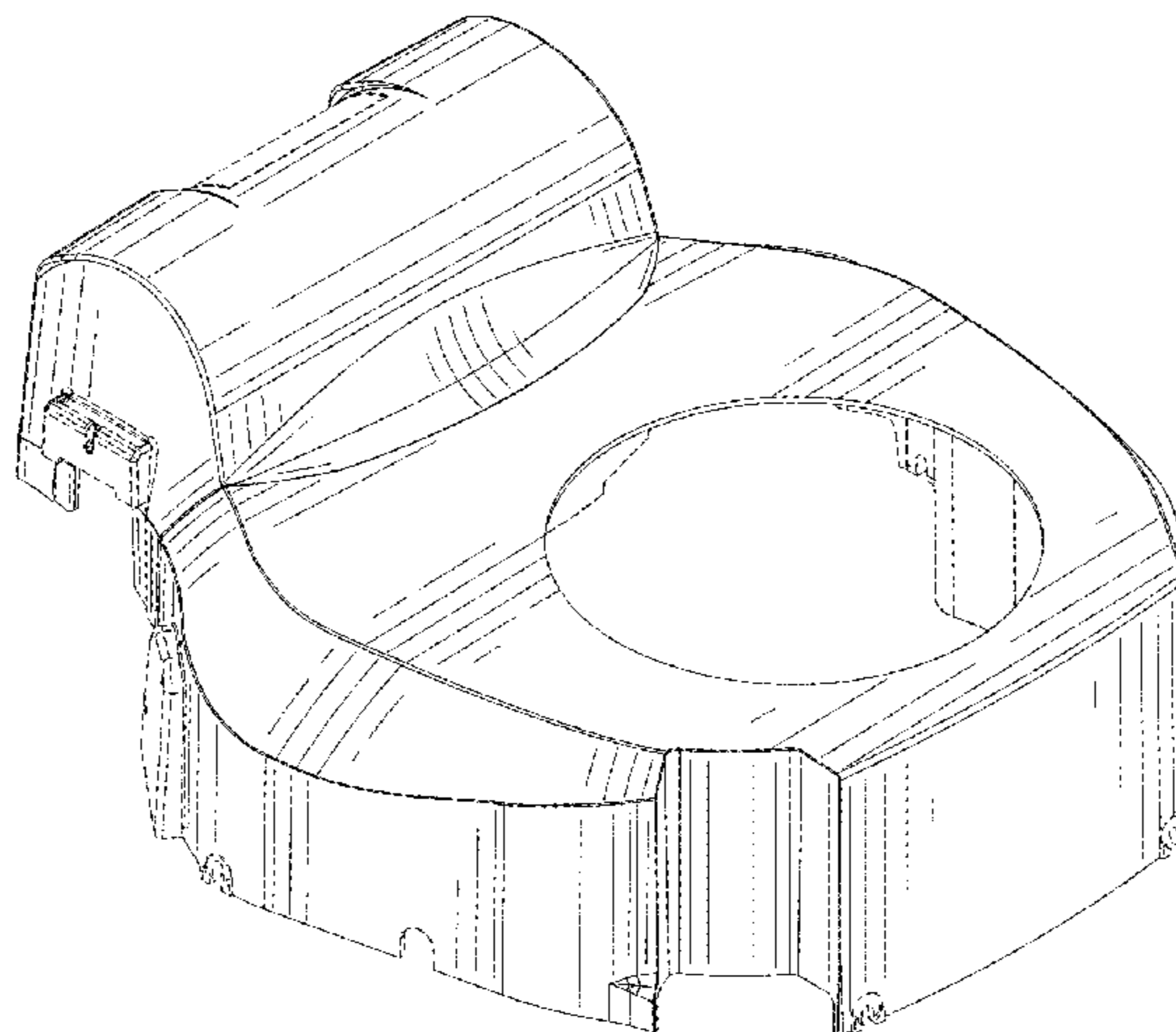
The ornamental design for an engine blower housing and air cleaner cover, as shown and described.

DESCRIPTION

FIG. 1 is a top perspective view of an engine blower housing and air cleaner cover showing our new design; FIG. 2 is a top view thereof; FIG. 3 is a bottom view thereof; FIG. 4 is a left side view thereof; FIG. 5 is a right side view thereof; FIG. 6 is a rear view thereof; and, FIG. 7 is a front view thereof.

The broken lines shown in the figures are for purposes of illustrating portions of the engine blower housing and air cleaner cover (or associated components) only and form no part of the claimed design.

1 Claim, 5 Drawing Sheets



(56)

References Cited

U.S. PATENT DOCUMENTS

D479,721 S 9/2003 Kern et al.
 6,681,726 B2 1/2004 Linsbauer et al.
 D491,192 S 6/2004 Davis
 D491,193 S 6/2004 Davis
 6,857,399 B2 2/2005 Davis et al.
 6,889,635 B2 5/2005 Geisheker et al.
 D527,022 S 8/2006 Walters
 D529,925 S 10/2006 Strandell et al.
 D540,819 S 4/2007 Schmitt et al.
 D572,271 S 7/2008 Maeda
 7,594,484 B2 9/2009 Lavender et al.
 7,776,119 B2 8/2010 Notaras et al.
 7,914,609 B2 3/2011 Sullivan et al.
 8,052,780 B2 11/2011 Rotter et al.
 D663,322 S 7/2012 Sullivan et al.
 D691,177 S * 10/2013 Tiefenthaler D15/5
 8,746,186 B2 6/2014 Sullivan et al.
 D708,645 S 7/2014 Sarder et al.
 D708,646 S 7/2014 Sarder et al.
 8,808,432 B2 8/2014 Rotter et al.
 D733,186 S 6/2015 Bink et al.
 D735,762 S 8/2015 Andren et al.
 D735,763 S 8/2015 Andren et al.
 D735,764 S 8/2015 Andren et al.
 D735,765 S 8/2015 Andren et al.

D735,767 S 8/2015 Andren et al.
 D735,768 S 8/2015 Andren et al.
 D736,264 S 8/2015 Andren et al.
 D742,922 S 11/2015 Andren et al.
 D742,923 S 11/2015 Andren et al.
 D742,924 S 11/2015 Andren et al.
 2002/0189560 A1 12/2002 Linsbauer et al.
 2004/0025827 A1 2/2004 Davis
 2009/0107087 A1* 4/2009 Sullivan B01D 45/12
 55/290
 2014/0238343 A1* 8/2014 Groh F02N 19/00
 123/319
 2014/0271132 A1* 9/2014 Le Roy F04D 29/582
 415/119
 2014/0271134 A1* 9/2014 Le Roy F01P 11/12
 415/119
 2016/0312684 A1* 10/2016 Birschbach F01P 5/04

OTHER PUBLICATIONS

Kohler Co., Kohler 600 Series, Kohler 700 Series, KT610-K1620, KT715-KT745 Service Manual, 2015.
 Kohler Co., Kohler Engines 18, 20, 22 HP OHV Horizontal & Vertical V-Twins, 1993, Kohler, Wisconsin.
 Kohler Co., Kohler Engines 25 HP OHV Horizontal & Vertical Shaft V-Twins, 1994, Kohler, Wisconsin.

* cited by examiner

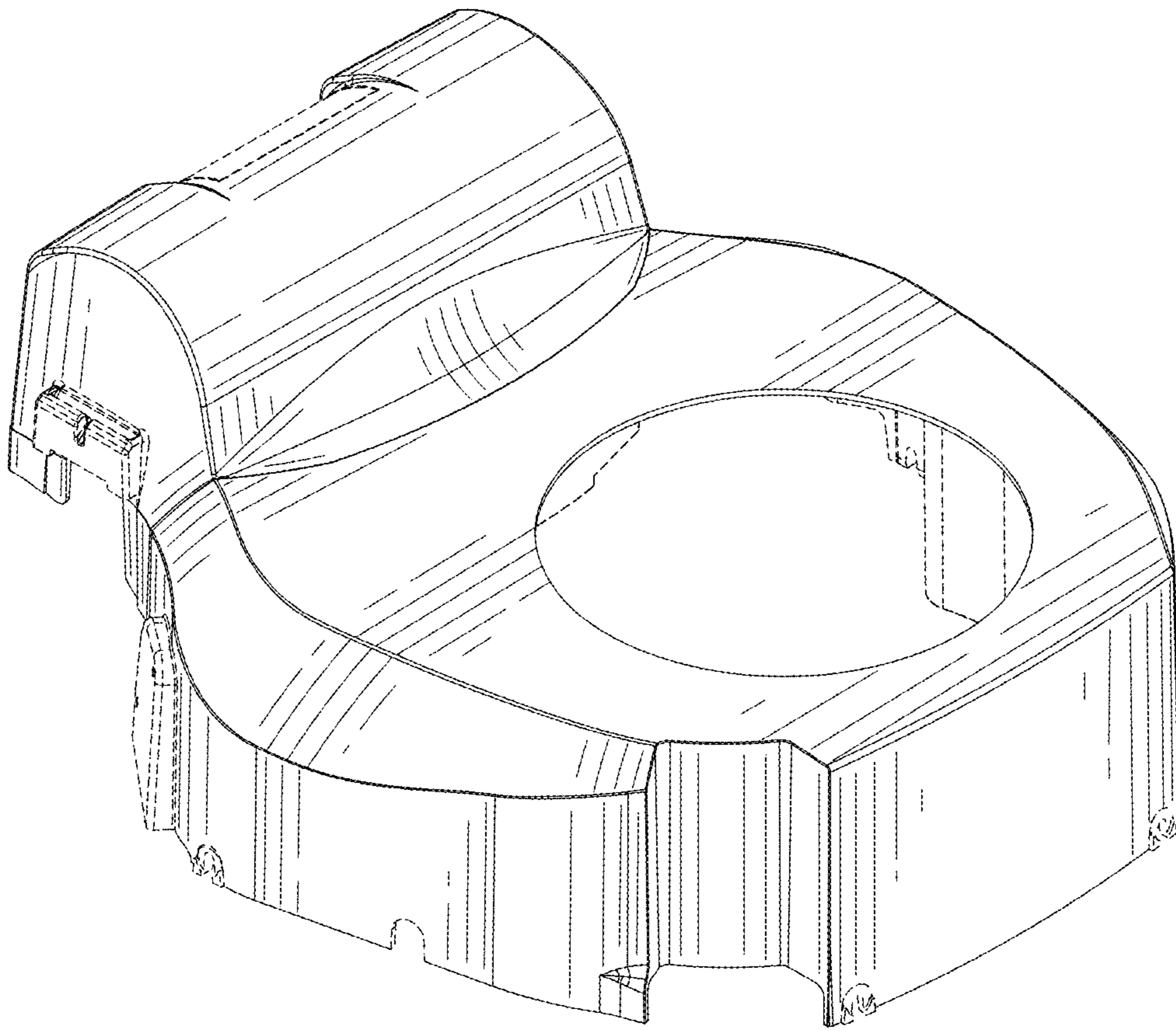


FIG. 1

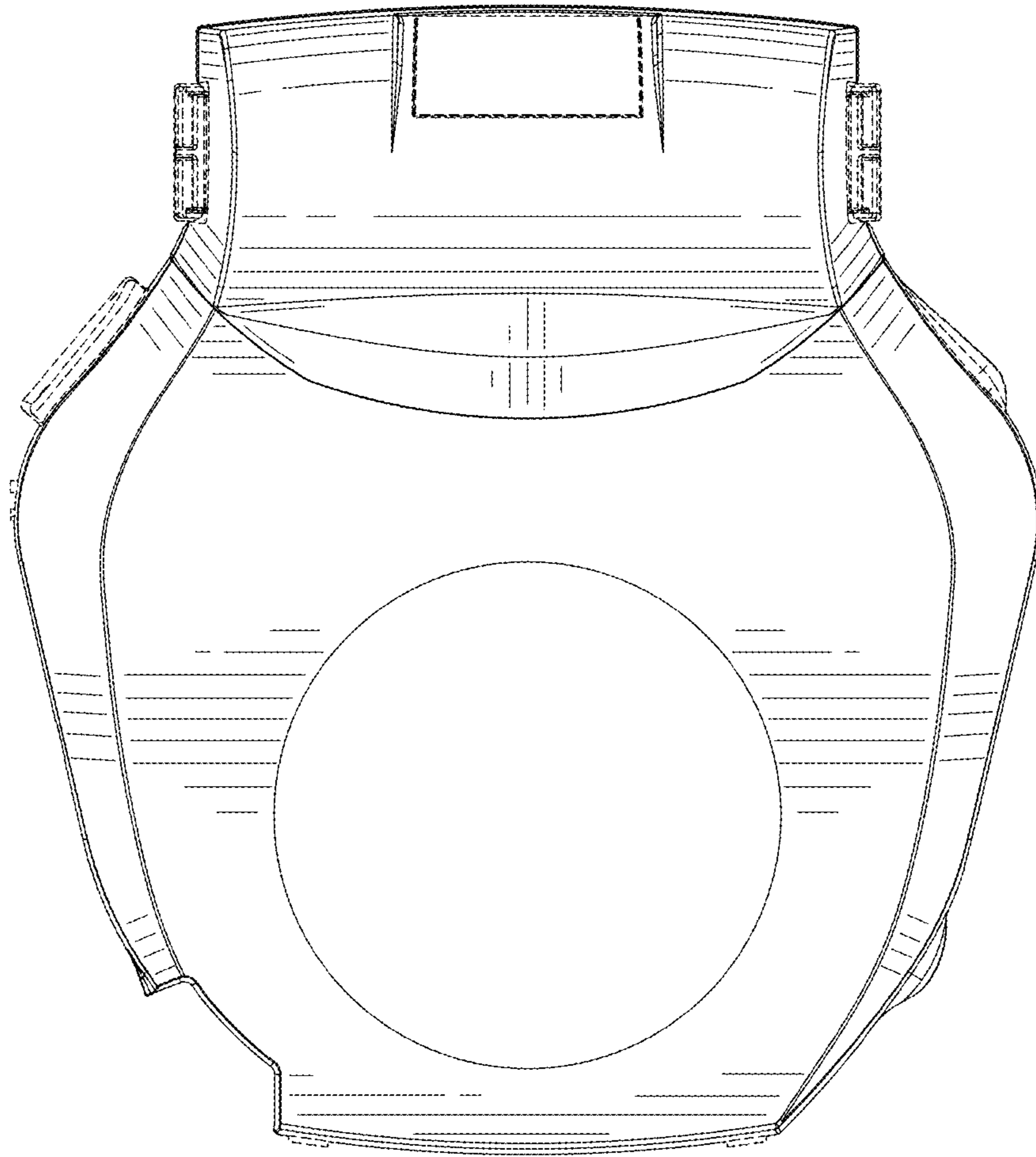


FIG. 2

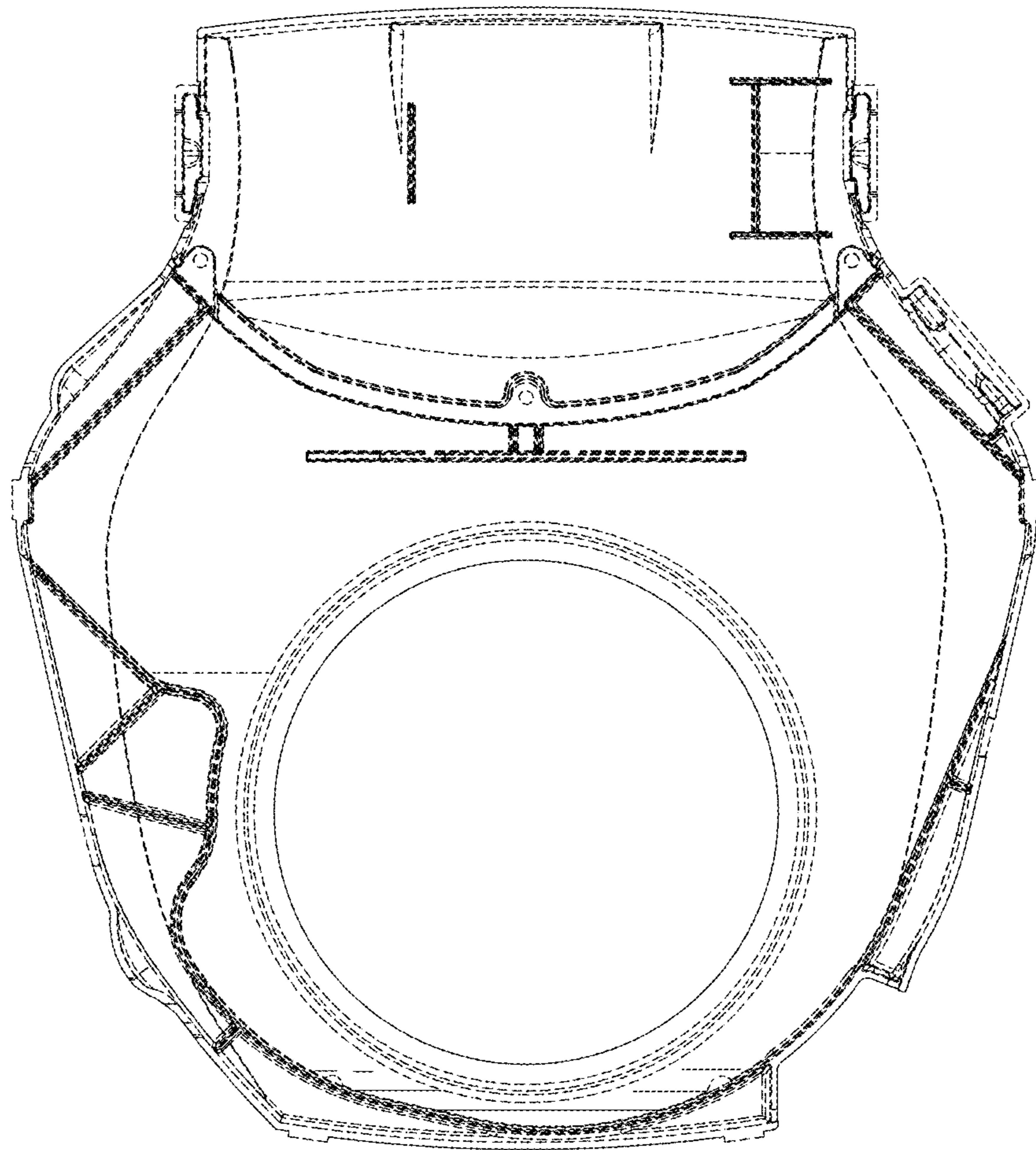


FIG. 3

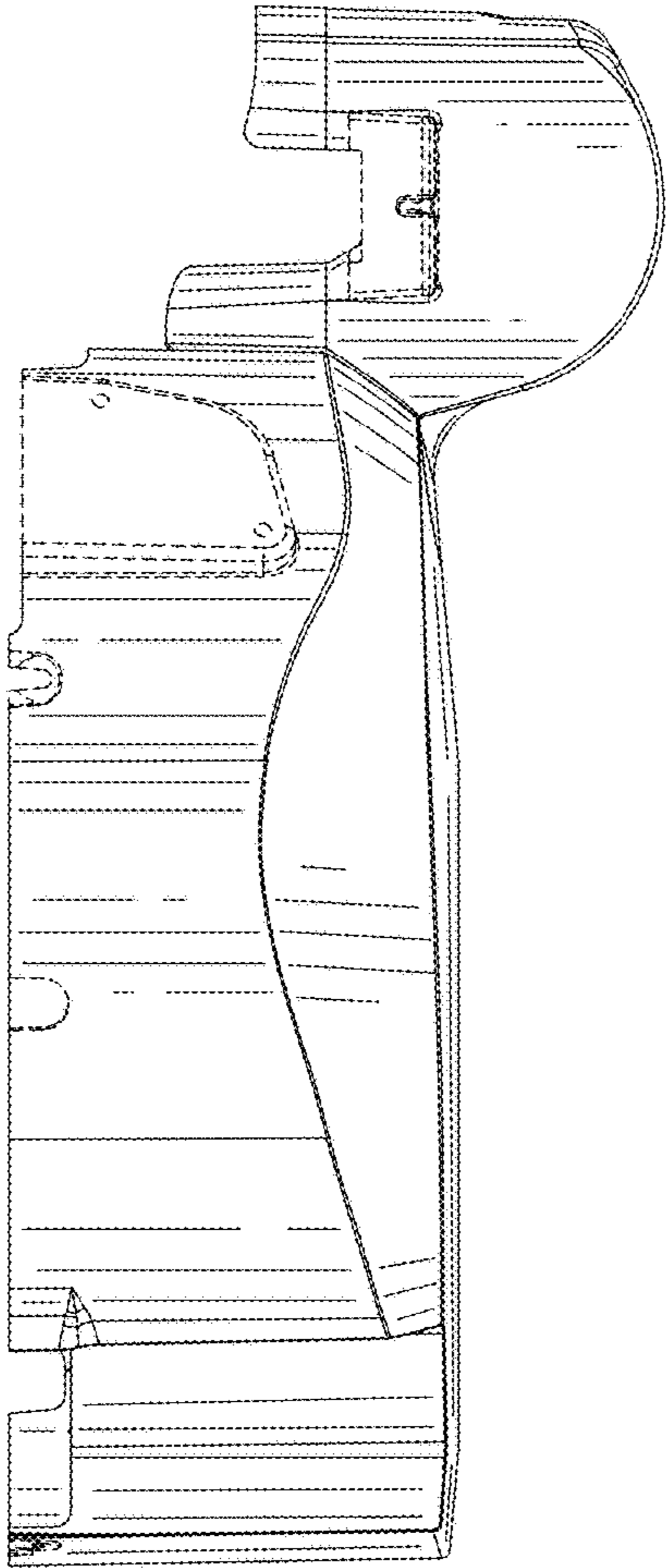


FIG. 4

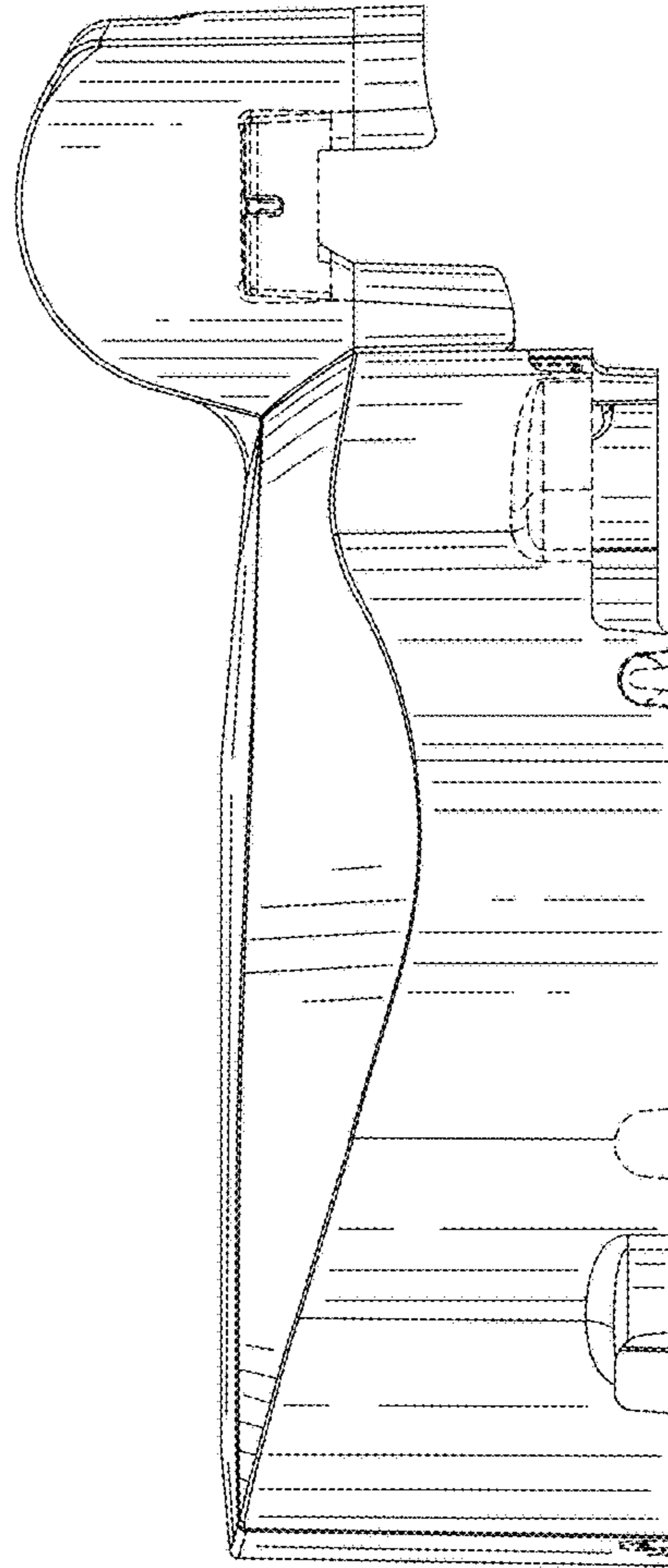


FIG. 5

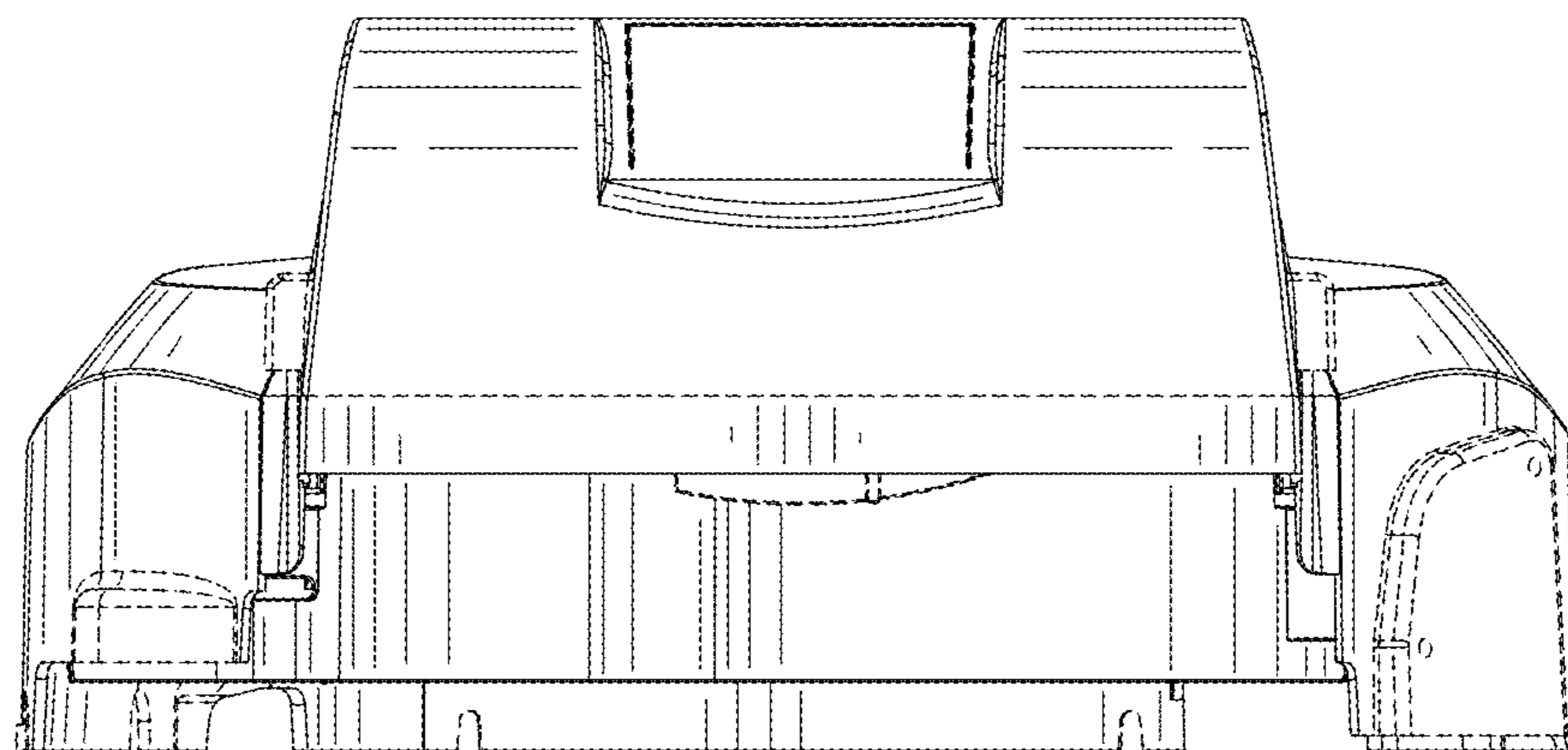


FIG. 6

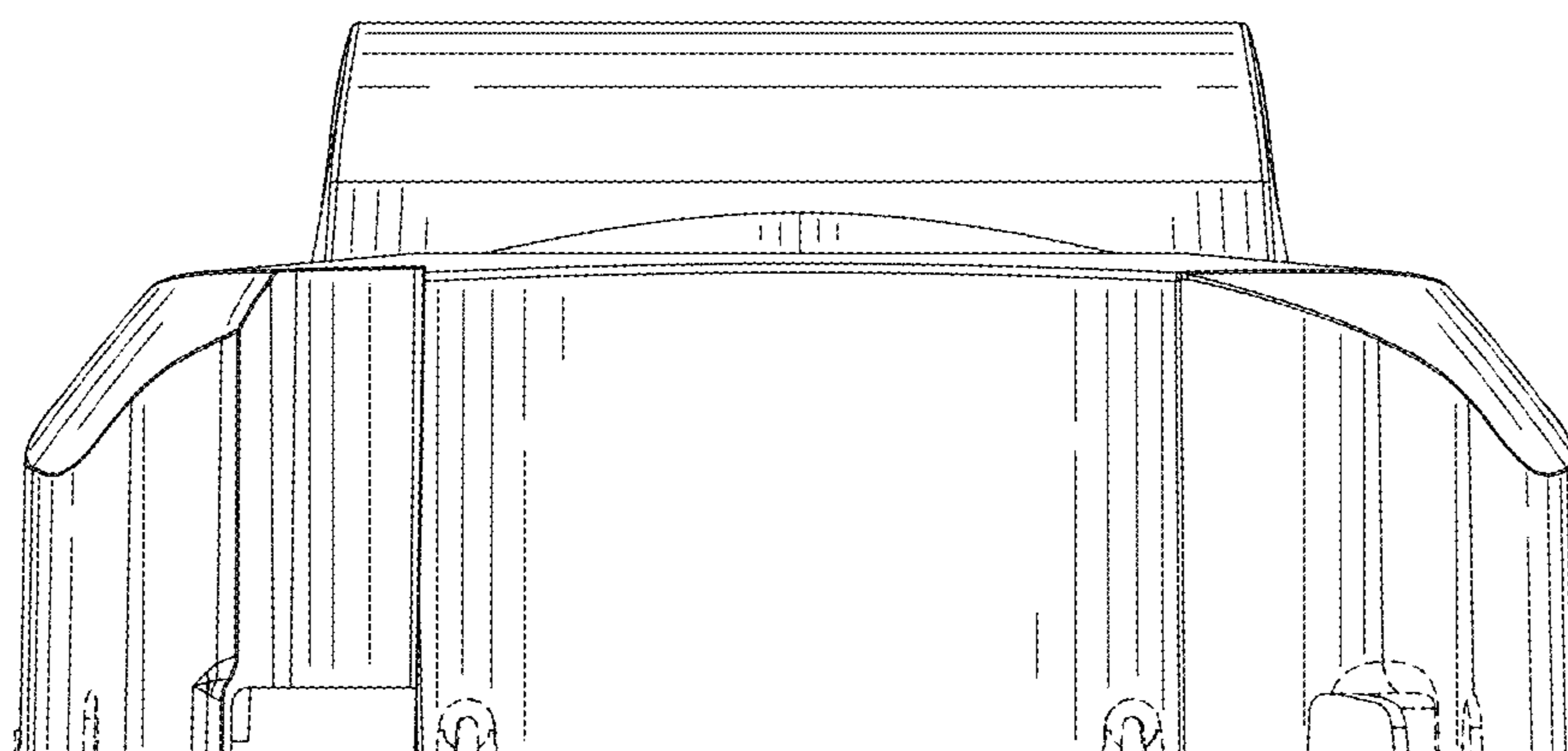


FIG. 7