

US00D795297S

(12) **United States Design Patent** (10) **Patent No.:** **US D795,297 S**
Luft et al. (45) **Date of Patent:** **** Aug. 22, 2017**

- (54) **TRANSMISSION** 8,967,334 B2 * 3/2015 Straub F16H 57/0447
184/6.12
- (71) Applicant: **SEW-EURODRIVE GmbH & Co. KG, Bruchsal (DE)** 8,973,458 B2 * 3/2015 Straub F16H 57/0447
184/6.12
- (72) Inventors: **Christian Luft, Ubstadt (DE); Tobias Schwan, Wiesloch (DE); Peter Eller, Graben-Neudorf (DE); Jan Knittel, Dettenheim (DE)** 9,062,754 B2 * 6/2015 Straub F16H 57/0447
2012/0024097 A1 * 2/2012 Strau F16H 57/0447
74/467
- 2012/0031213 A1 * 2/2012 Strauss F16H 57/0447
74/467
- 2012/0031214 A1 * 2/2012 Strauss F16H 57/0447
74/467
- (73) Assignee: **SEW-EURODRIVE GmbH & Co. KG, Bruchsal (DE)** 2014/0033862 A1 * 2/2014 Tryens F16H 57/0464
74/606 R

(**) Term: **15 Years**

(21) Appl. No.: **29/559,760**

(22) Filed: **Mar. 31, 2016**

(30) **Foreign Application Priority Data**

Oct. 2, 2015 (DE) 40 2015 001 633

(51) **LOC (10) Cl.** **15-01**

(52) **U.S. Cl.**
USPC **D15/5; D15/149**

(58) **Field of Classification Search**
USPC D15/1-5, 148, 149, 199; D12/139.4,
D12/139.5, 152; D13/122, 112, 113, 114,
D13/118, 184, 199, 101, 110, 115, 116,
D13/117, 123, 154, 162, 164
CPC .. F16H 57/029; F16H 57/021; F16H 57/0423;
F16H 57/0493; Y10T 74/9991
See application file for complete search history.

(56) **References Cited**

U.S. PATENT DOCUMENTS

- D698,837 S * 2/2014 Woppermann D15/148
D710,918 S * 8/2014 Tegeltija D15/148

* cited by examiner

Primary Examiner — T. Chase Nelson

Assistant Examiner — Ania Aman

(74) *Attorney, Agent, or Firm* — Finnegan, Henderson, Farabow, Garrett & Dunner LLP

(57) **CLAIM**

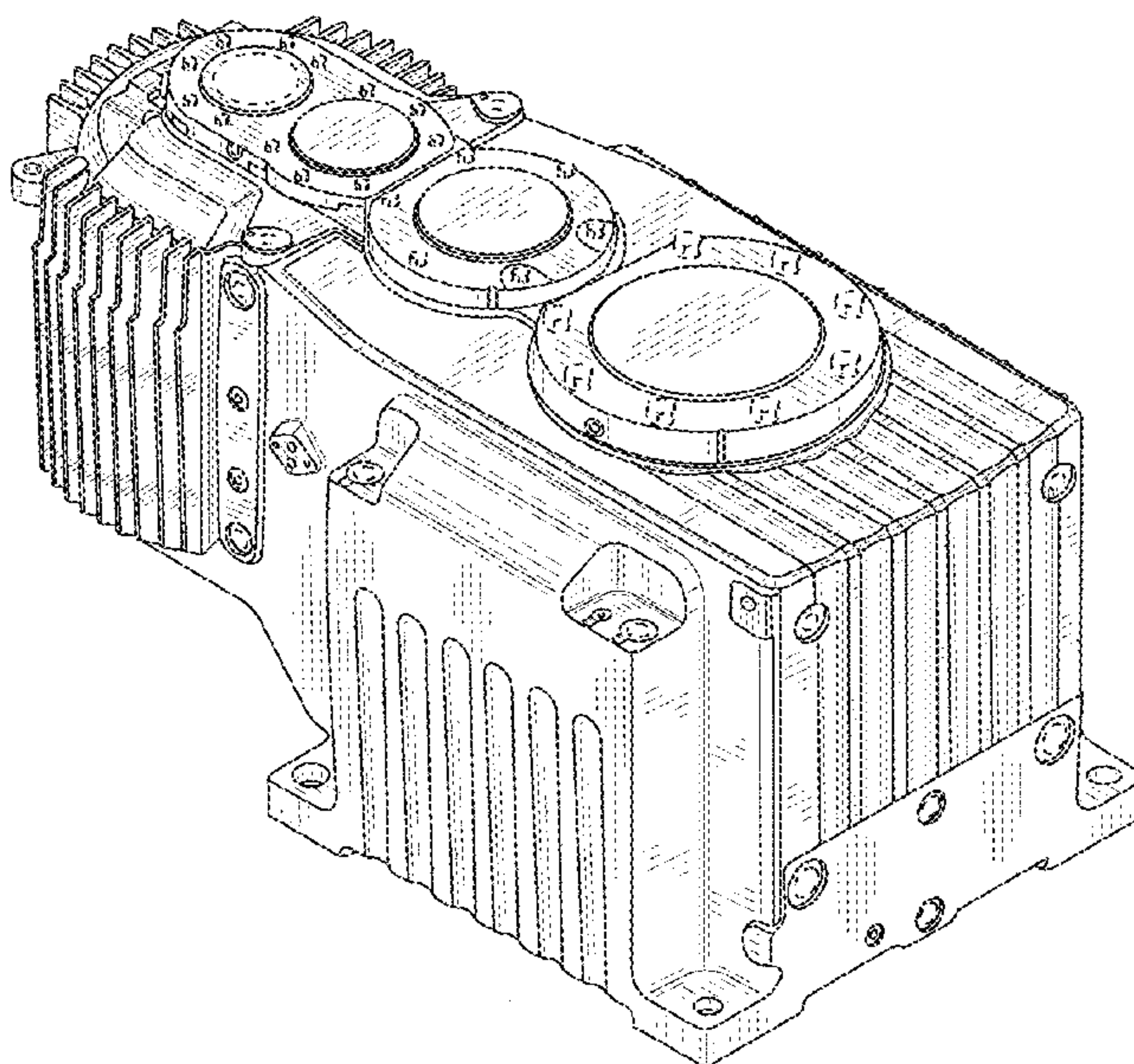
The ornamental design for transmission, as shown and described.

DESCRIPTION

FIG. 1 is a front perspective view of a transmission, showing my new design;
FIG. 2 is a top plan view thereof;
FIG. 3 is a front elevation view thereof;
FIG. 4 is a bottom plan view thereof;
FIG. 5 is a right side view thereof;
FIG. 6 is a rear elevation view thereof; and,
FIG. 7 is a left side view thereof.

The broken lines of even length shown in the drawings illustrate portions of the transmission that form no part of the claimed design.

1 Claim, 7 Drawing Sheets



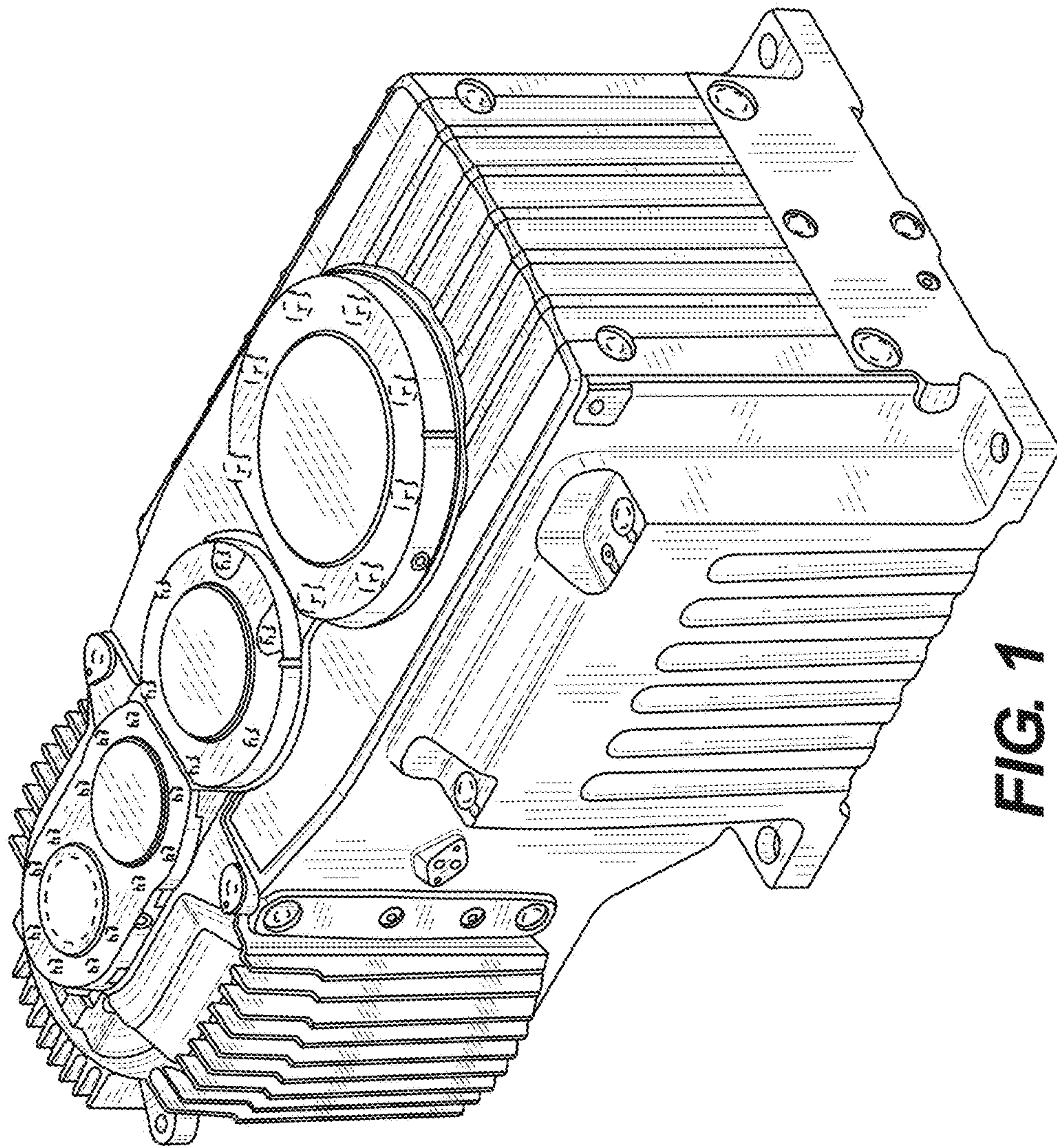


FIG. 1

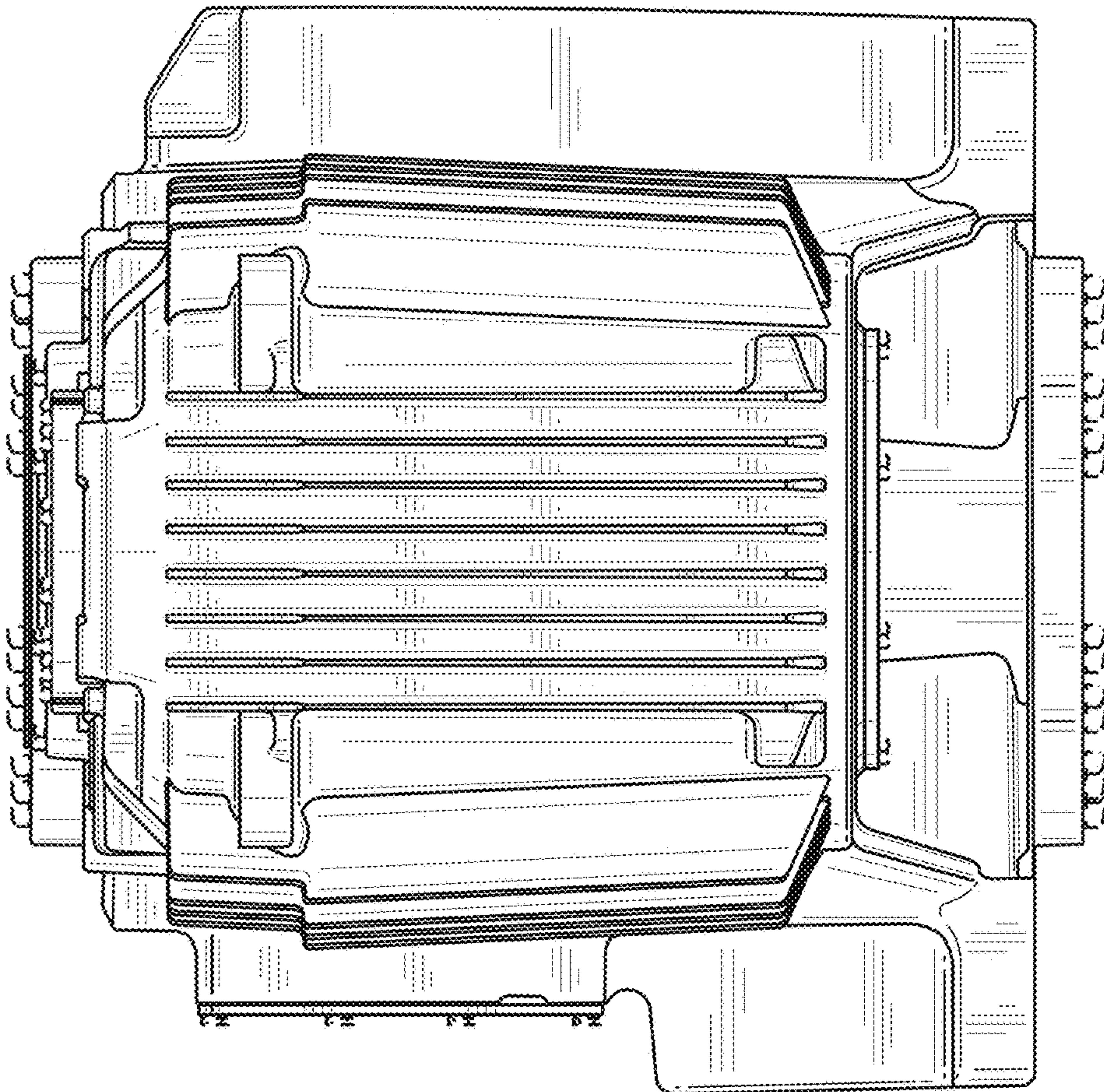


FIG. 2

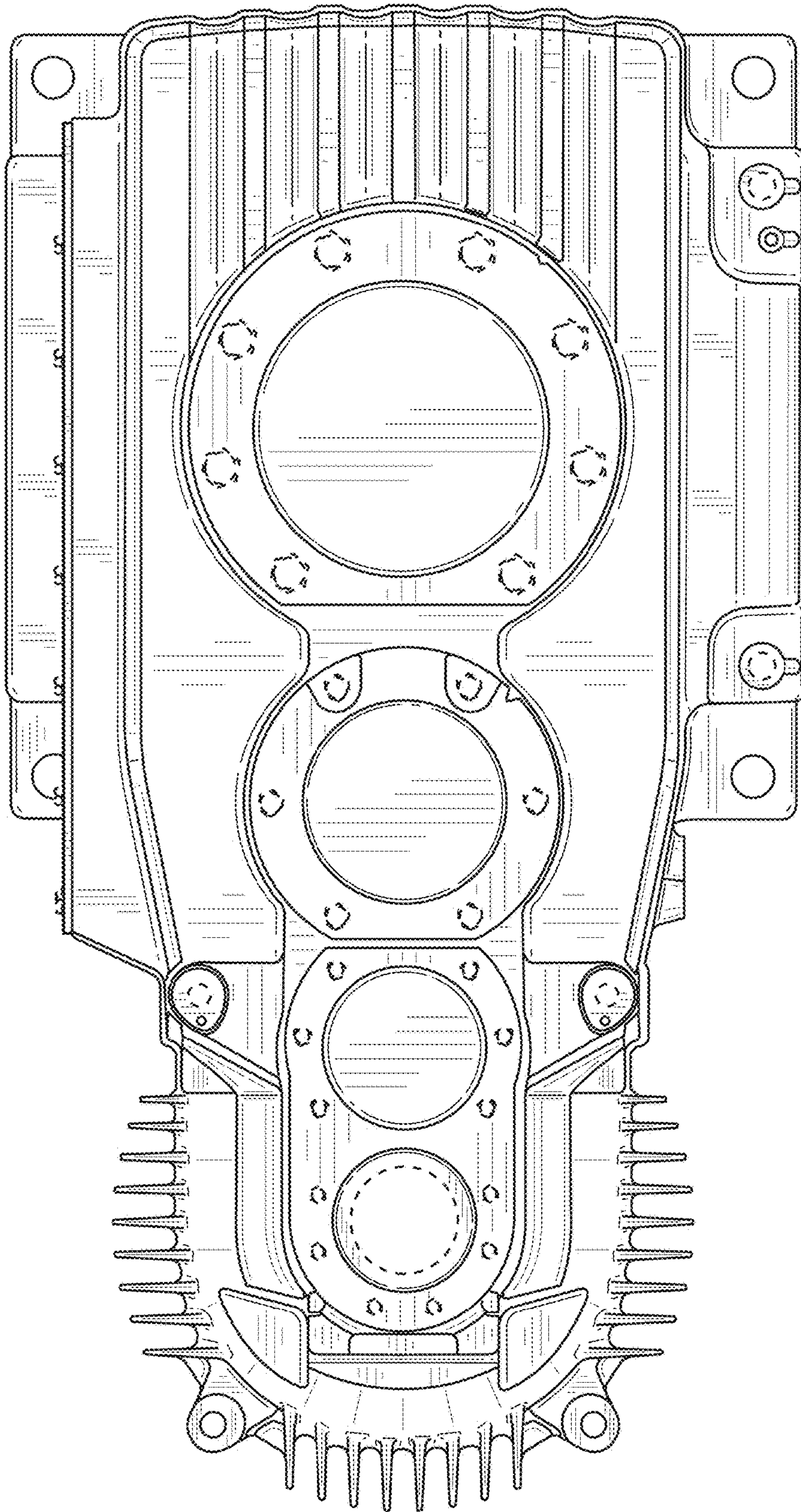


FIG. 3

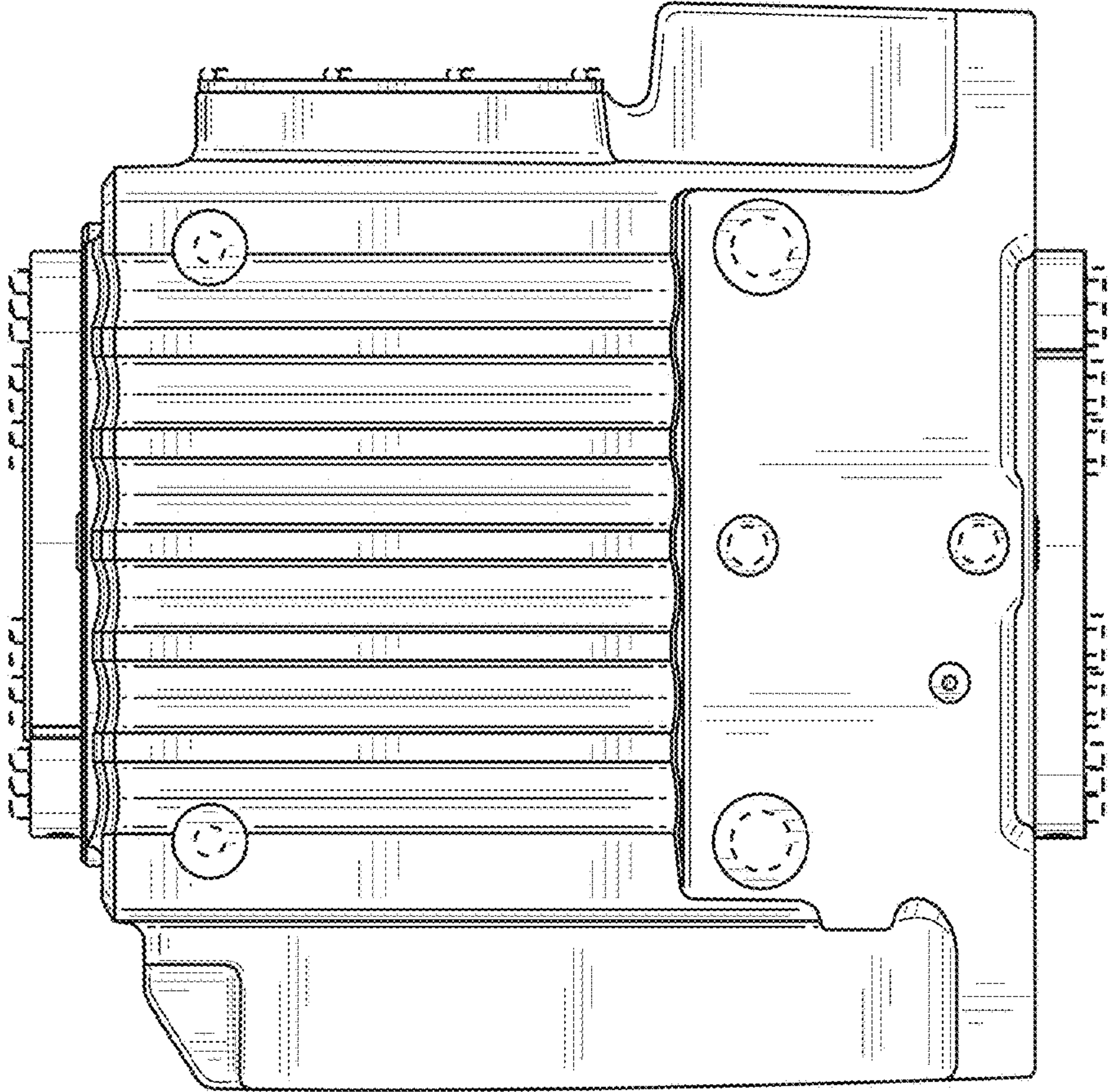


FIG. 4

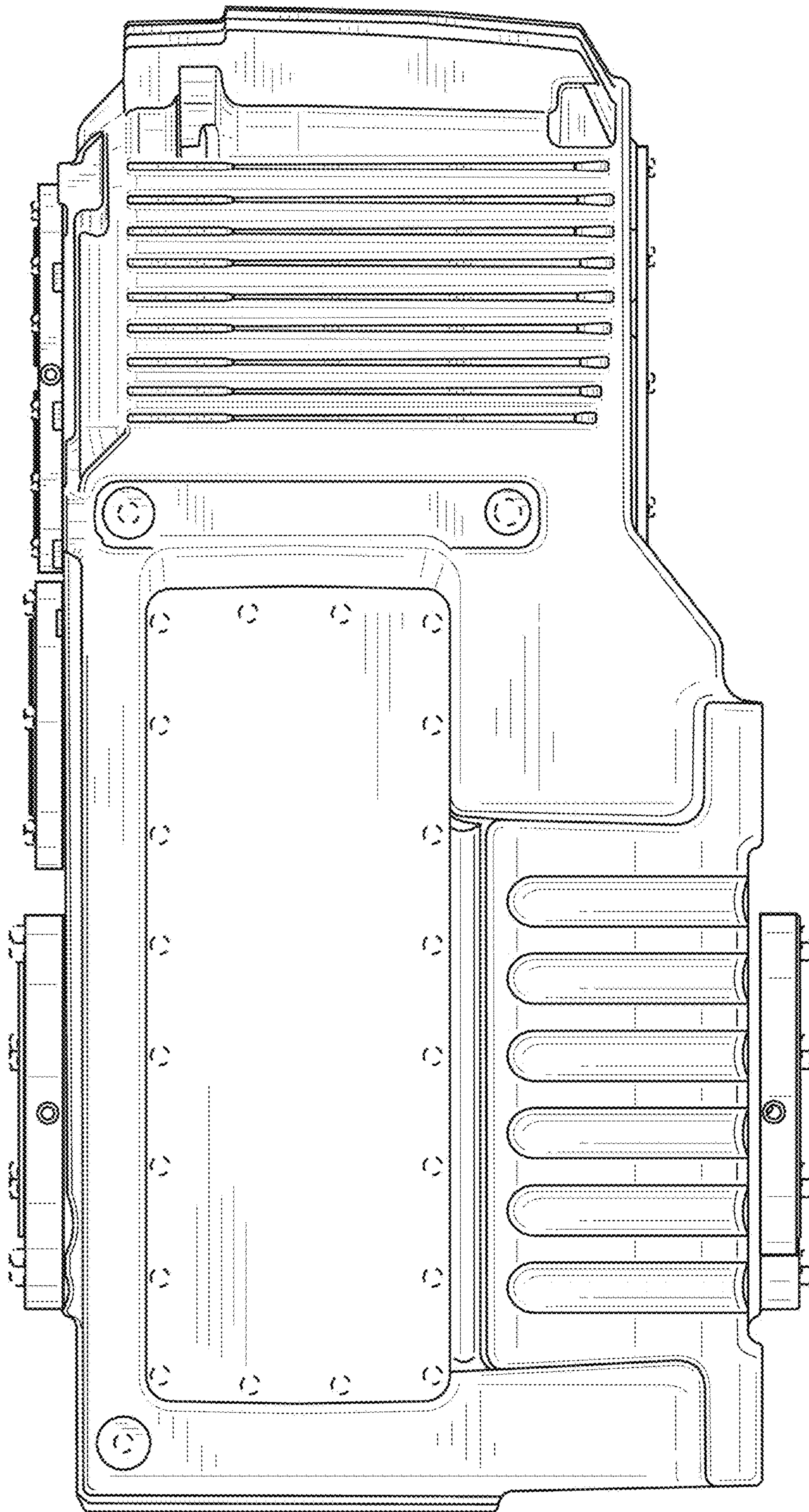


FIG. 5

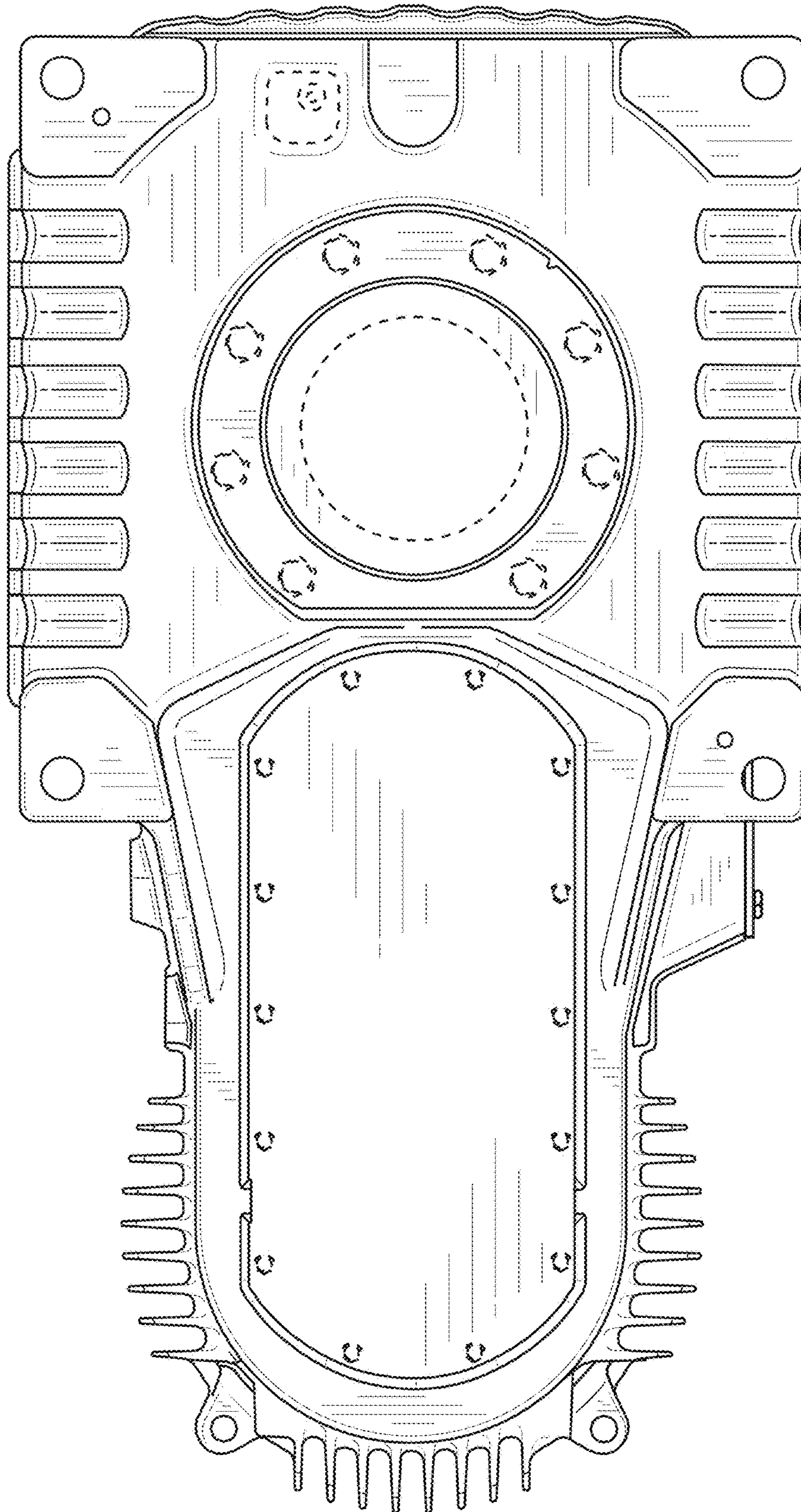


FIG. 6

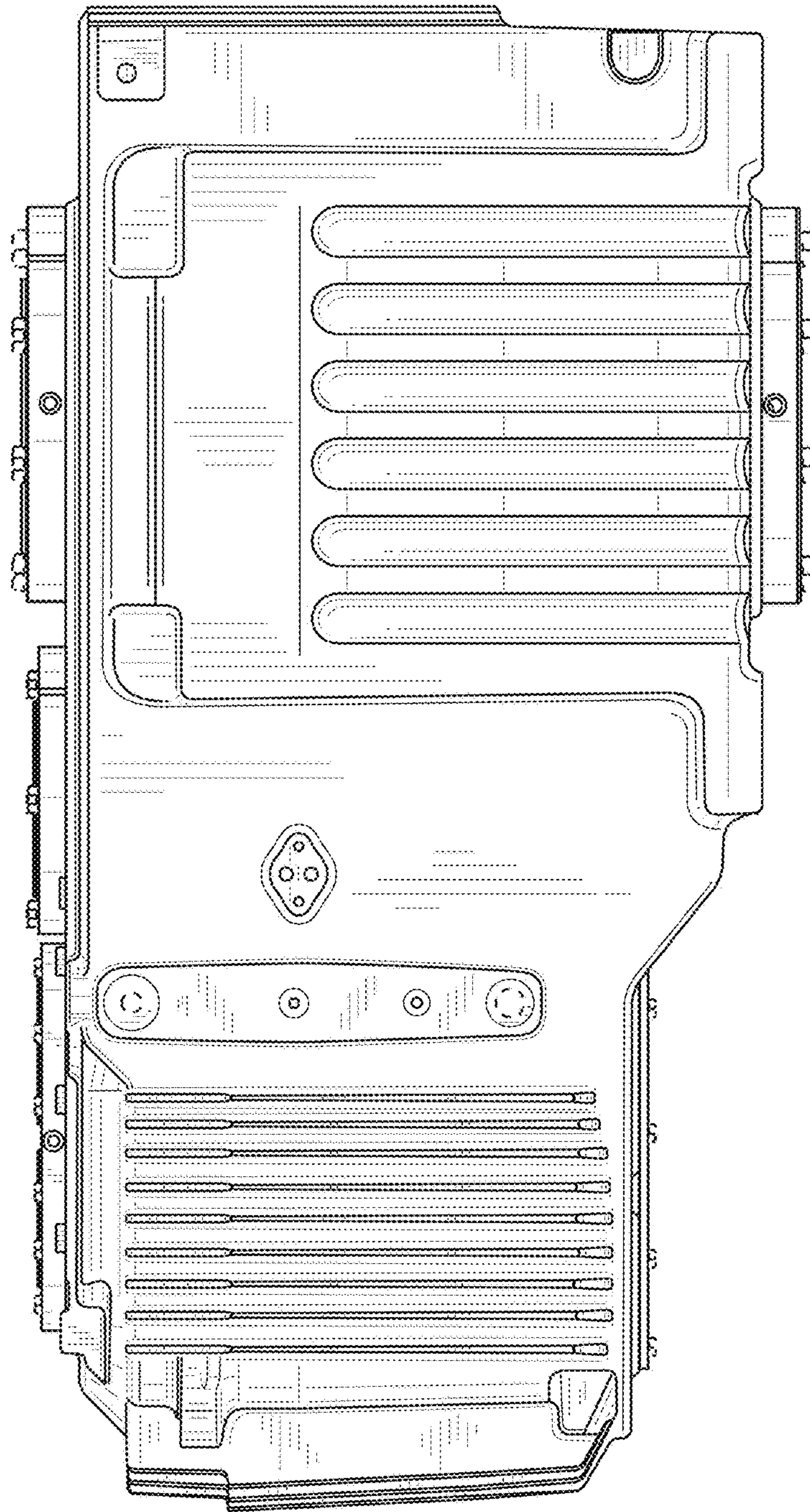


FIG. 7