



US00D795296S

(12) **United States Design Patent**  
**Luft et al.**

(10) **Patent No.:** **US D795,296 S**  
(45) **Date of Patent:** **\*\* Aug. 22, 2017**

(54) <b>TRANSMISSION</b>	8,967,334 B2 *	3/2015	Strauß .....	F16H 57/0447 184/6.12
(71) Applicant: <b>SEW-EURODRIVE GmbH &amp; Co. KG, Bruchsal (DE)</b>	8,973,458 B2 *	3/2015	Strauß .....	F16H 57/0447 184/6.12
(72) Inventors: <b>Christian Luft, Ubstadt (DE); Tobias Schwan, Wiesloch (DE); Peter Eller, Graben-Neudorf (DE); Jan Knittel, Dettenheim (DE)</b>	9,062,754 B2 *	6/2015	Strauß .....	F16H 57/0447
	2012/0024097 A1 *	2/2012	Strau .....	F16H 57/0447 74/467
	2012/0031213 A1 *	2/2012	Strauss .....	F16H 57/0447 74/467
	2012/0031214 A1 *	2/2012	Strauss .....	F16H 57/0447 74/467
(73) Assignee: <b>SEW-EURODRIVE GMBH &amp; CO KG, Bruchsal (DE)</b>	2014/0033862 A1 *	2/2014	Tryens .....	F16H 57/0464 74/606 R

(\*\*) Term: **15 Years**

(21) Appl. No.: **29/559,750**

(22) Filed: **Mar. 31, 2016**

(30) **Foreign Application Priority Data**

Oct. 2, 2015 (DE) ..... 40 2015 001 633

(51) **LOC (10) Cl.** ..... **15-01**

(52) **U.S. Cl.**  
USPC ..... **D15/5; D15/149**

(58) **Field of Classification Search**  
USPC ..... D15/1-5, 148, 149, 199; D12/139.4, D12/139.5, 152; D13/122, 112, 113, 114, D13/118, 184, 199, 101, 110, 115, 116, D13/117, 123, 154, 162, 164  
CPC .. F16H 57/029; F16H 57/021; F16H 57/0423; F16H 57/0493; Y10T 74/19991  
See application file for complete search history.

(56) **References Cited**

**U.S. PATENT DOCUMENTS**

D698,837 S \* 2/2014 Woppermann ..... D15/148  
D710,918 S \* 8/2014 Tegeltija ..... D15/148

\* cited by examiner

*Primary Examiner* — T. Chase Nelson

*Assistant Examiner* — Ania Aman

(74) *Attorney, Agent, or Firm* — Finnegan, Henderson, Farabow, Garrett & Dunner LLP

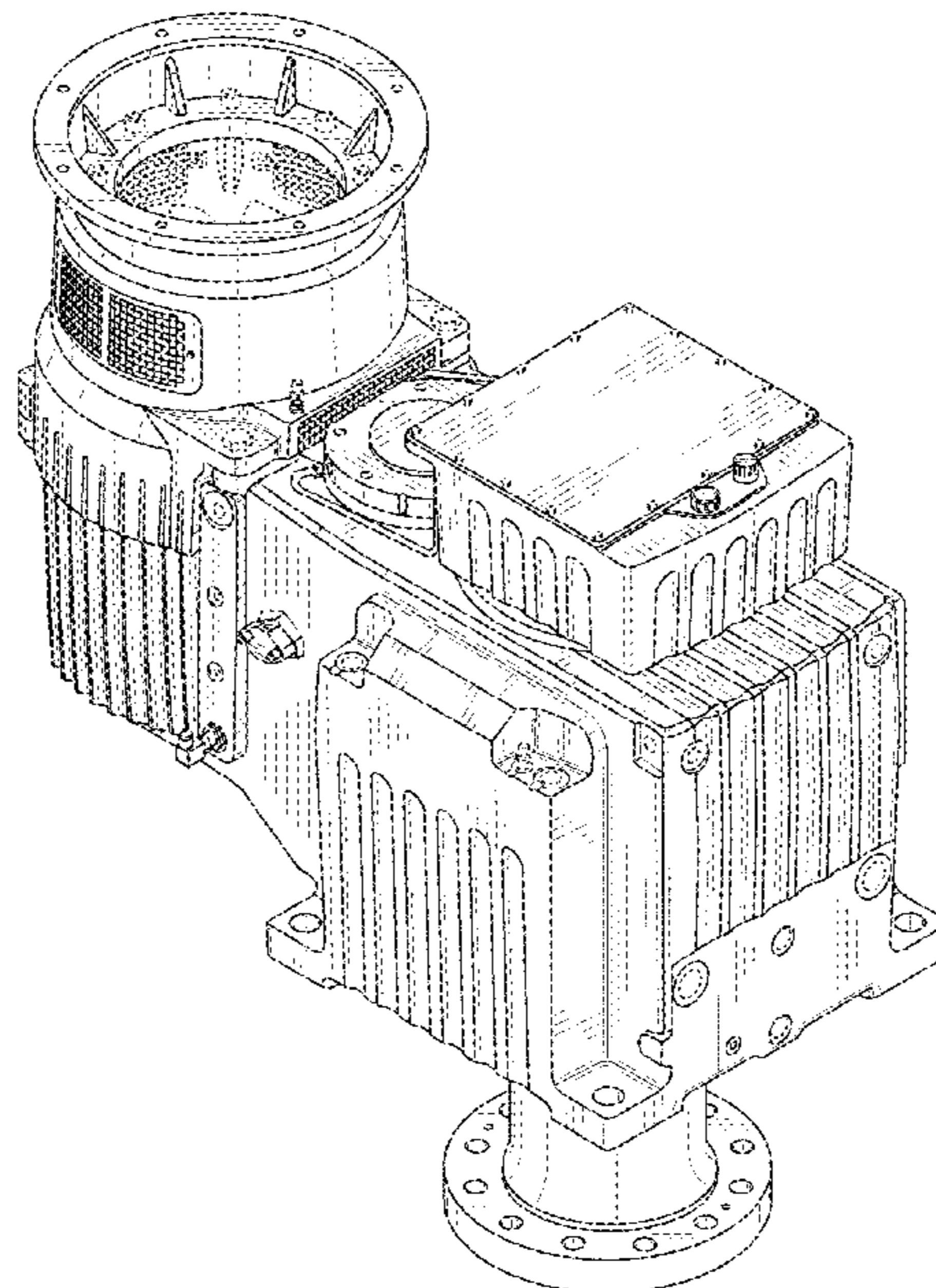
(57) **CLAIM**

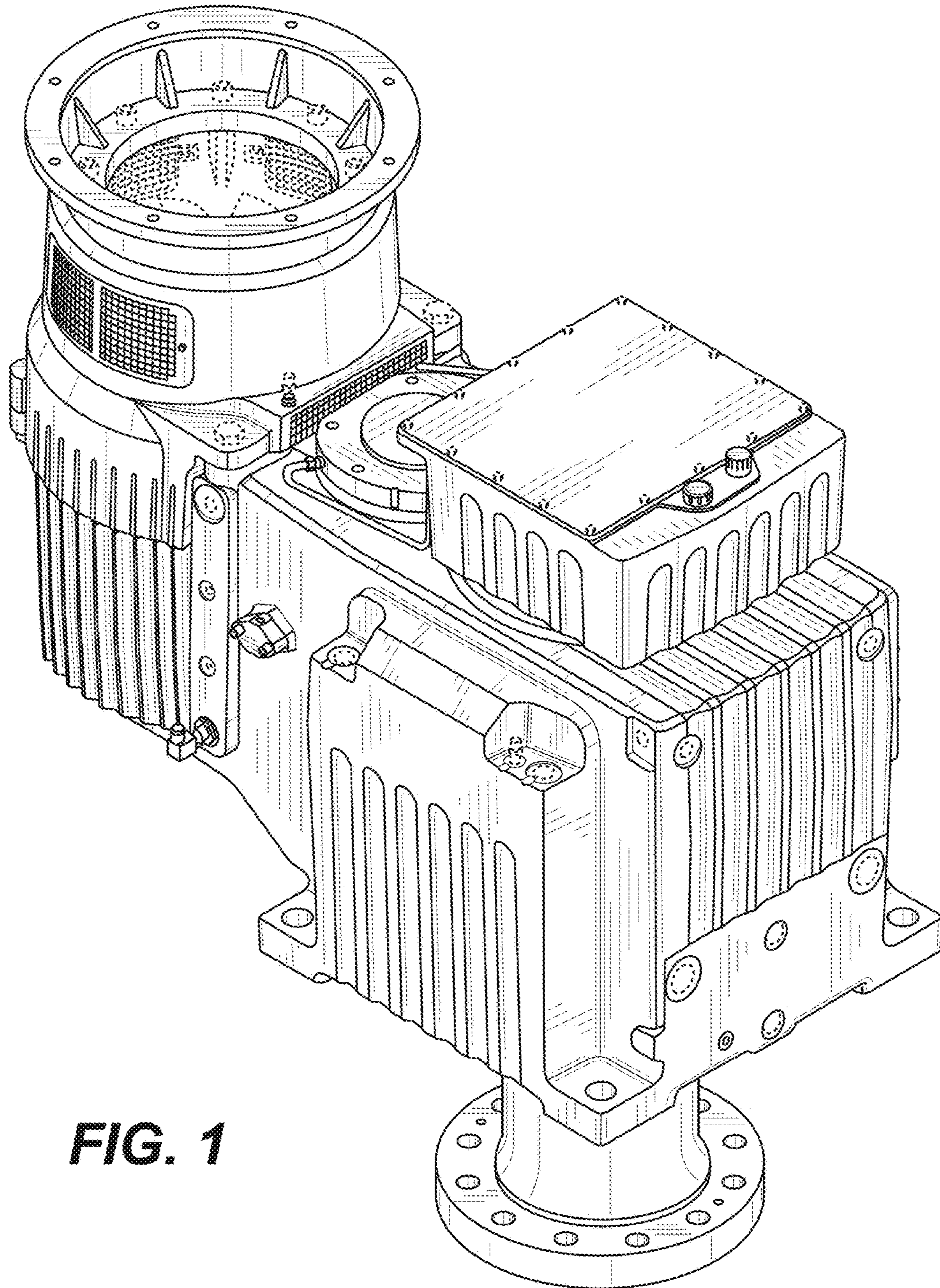
The ornamental design for transmission, as shown and described.

**DESCRIPTION**

FIG. 1 is a front perspective view of a transmission, showing my new design; and  
FIG. 2 is a top plan view thereof;  
FIG. 3 is a front elevation view thereof;  
FIG. 4 is a bottom plan view thereof;  
FIG. 5 is a right side view thereof;  
FIG. 6 is a rear elevation view thereof; and,  
FIG. 7 is a left side view thereof.  
The broken lines of even length shown in the drawings illustrate portions of the transmission that form no part of the claimed design.

**1 Claim, 7 Drawing Sheets**





**FIG. 1**

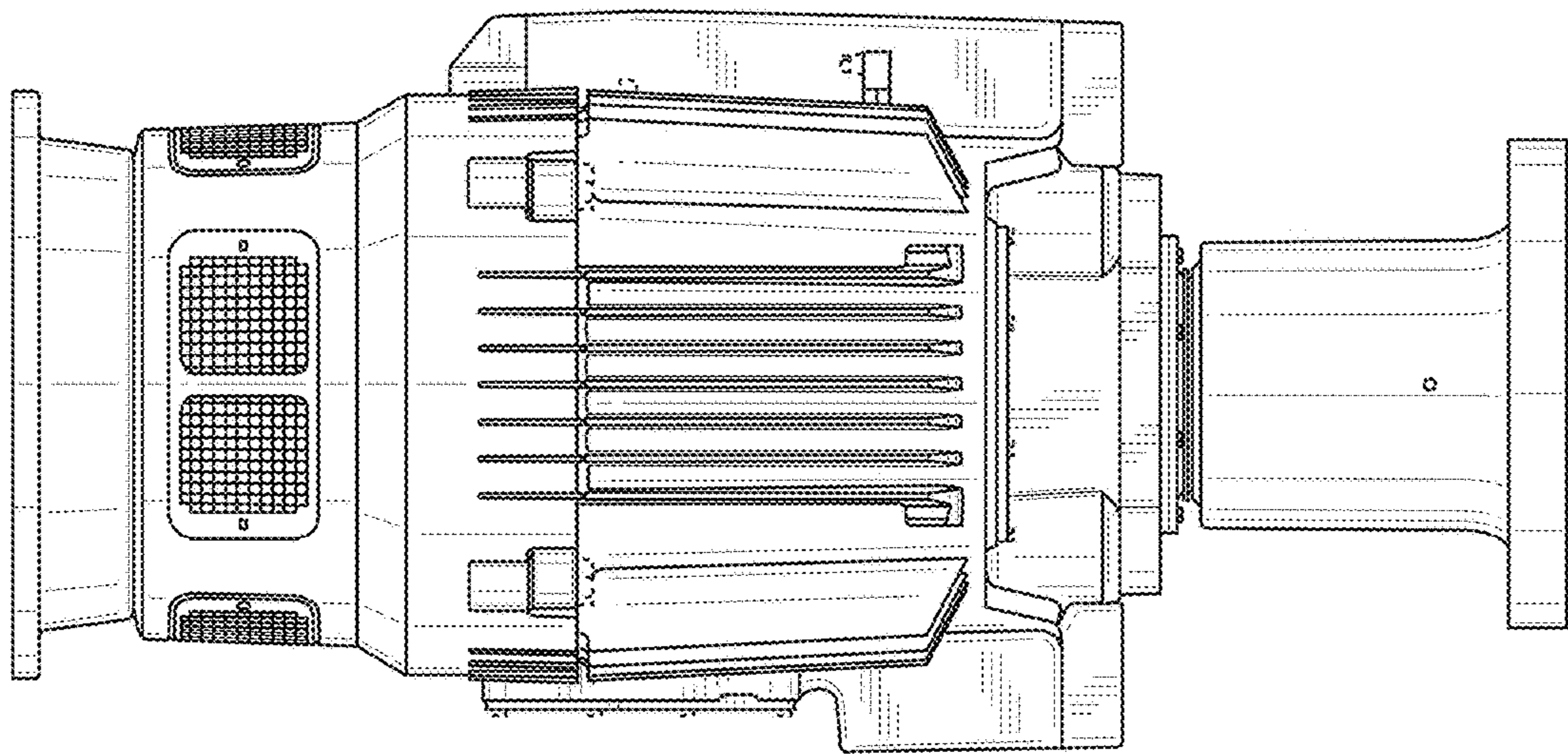
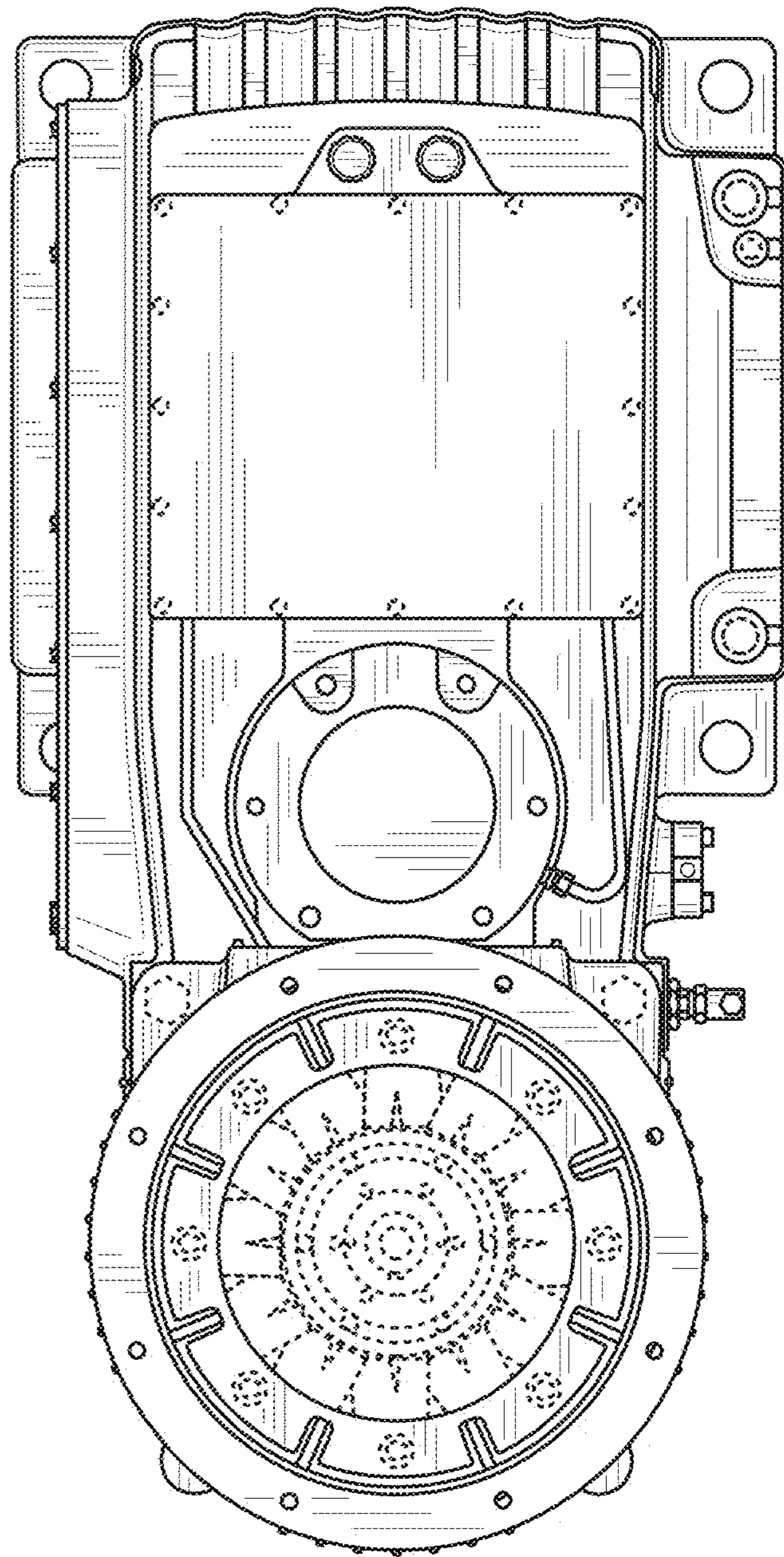


FIG. 2



**FIG. 3**

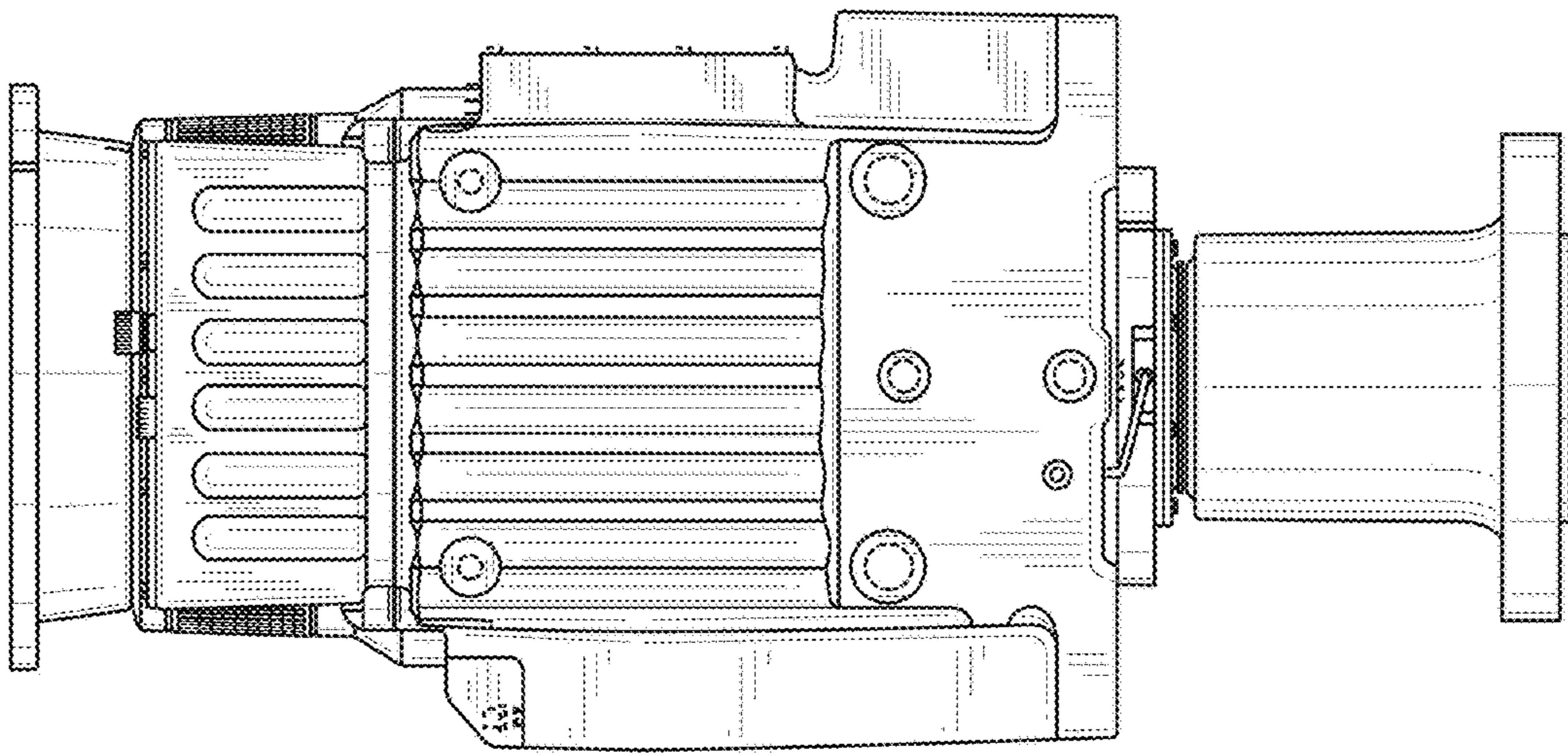


FIG. 4

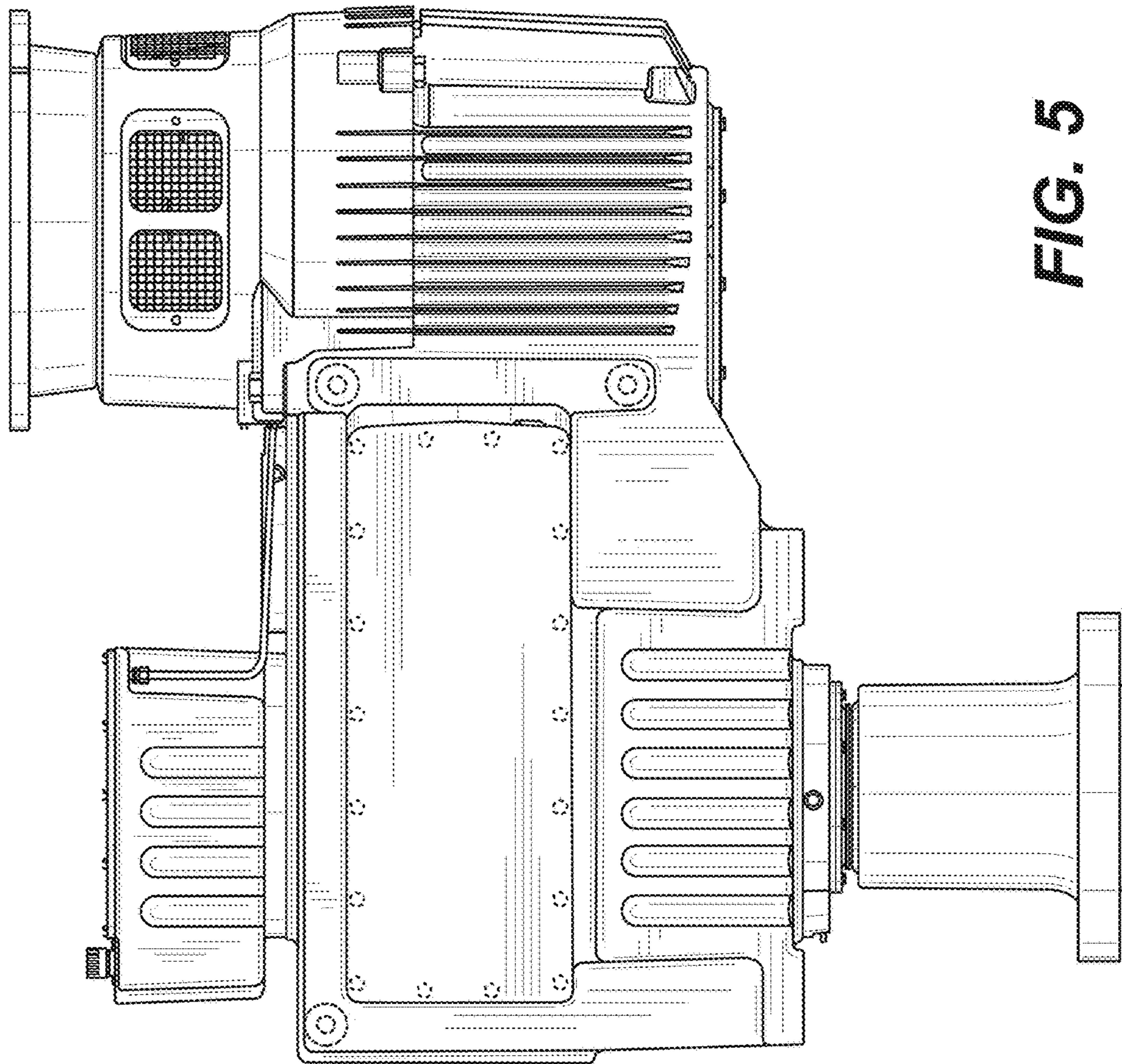
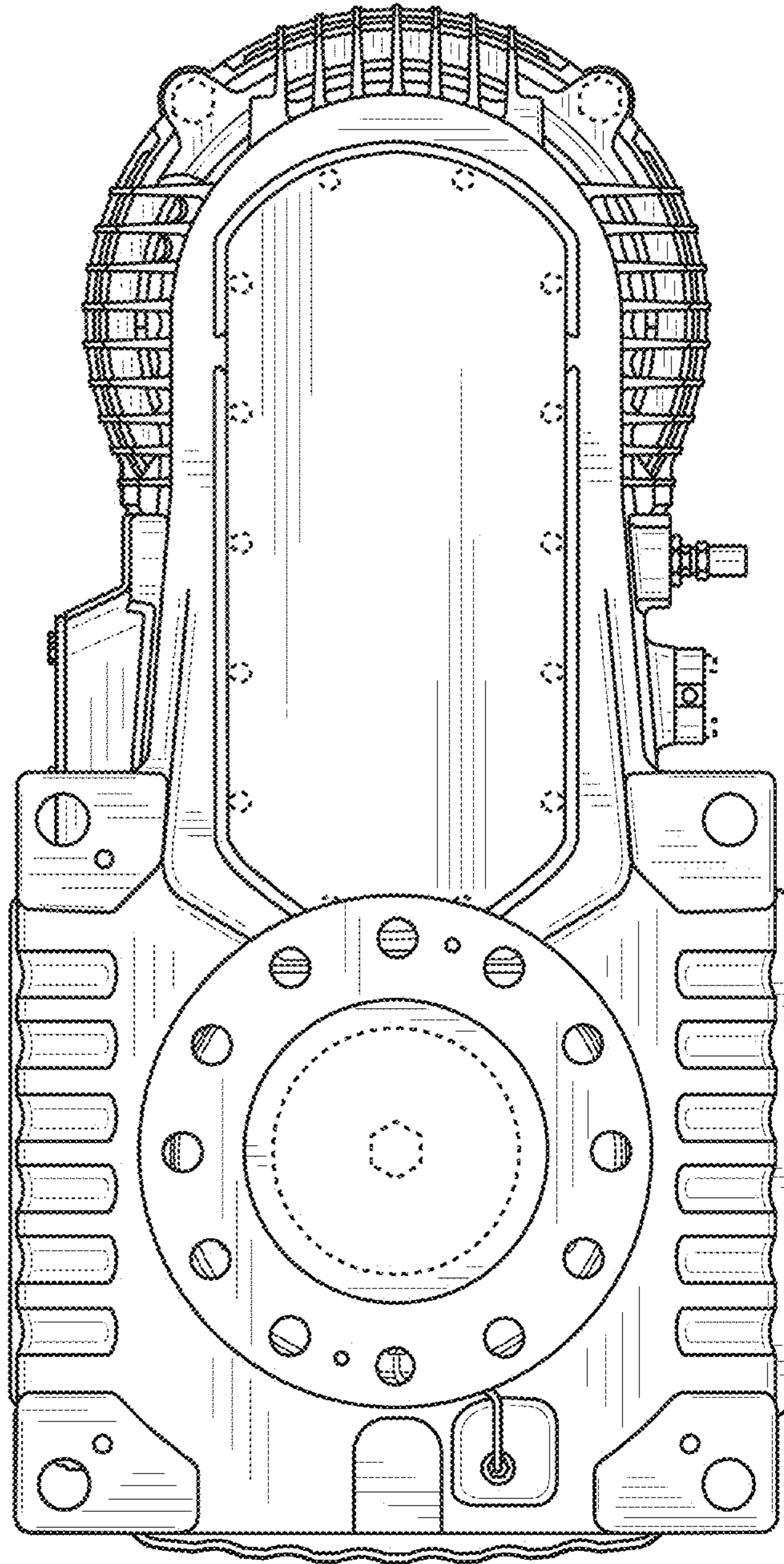


FIG. 5



**FIG. 6**

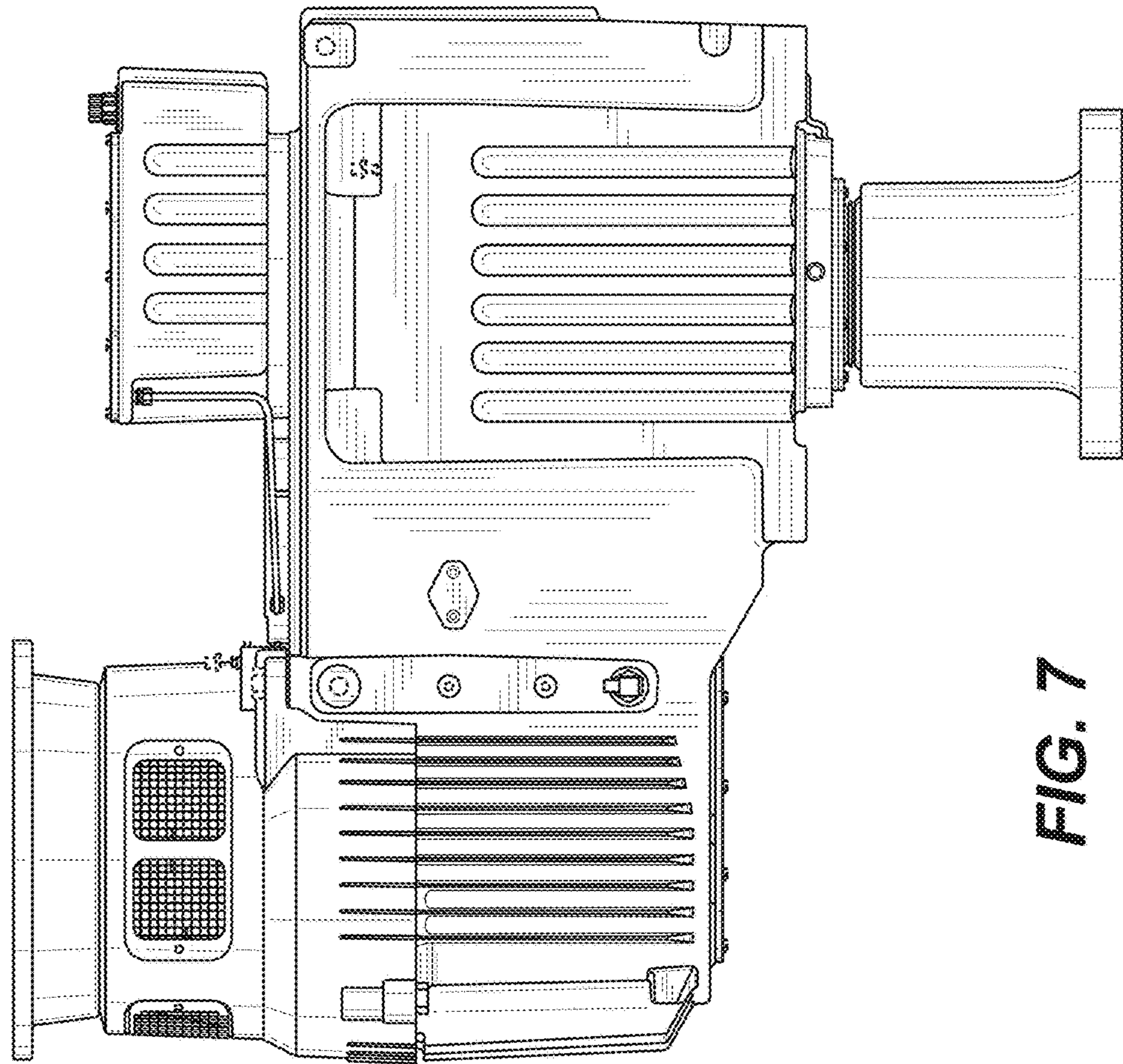


FIG. 7