



US00D795266S

(12) **United States Design Patent** (10) **Patent No.:** **US D795,266 S**  
**Williams** (45) **Date of Patent:** **\*\* Aug. 22, 2017**

- (54) **TABLET MOUNT**
- (71) Applicant: **Colebrook Bosson Saunders (Products) Limited**, London (GB)
- (72) Inventor: **Peter Robert Williams**, London (GB)
- (73) Assignee: **Colebrook Bosson Saunders (Products) Limited**, London (GB)
- (\*\*) Term: **15 Years**
- (21) Appl. No.: **29/571,780**
- (22) Filed: **Jul. 21, 2016**
- (51) **LOC (10) Cl.** ..... **08-07**
- (52) **U.S. Cl.**  
USPC ..... **D14/447**
- (58) **Field of Classification Search**  
USPC ..... D14/447, 432, 434, 439, 440, 451, 452, D14/457, 239; D8/363, 373, 380; D6/406.3, 406.4, 406.5, 406.6; D12/415  
CPC ..... A47B 21/04; A47B 2097/006; A47B 2097/005; A47B 2023/049; A45C 2011/002; A45C 2011/003; F16M 2200/00; F16M 13/00  
See application file for complete search history.

- 8,833,716 B2 9/2014 Funk et al.
- 8,864,089 B2 10/2014 Hung
- D718,770 S \* 12/2014 Specht ..... D14/447
- D721,710 S \* 1/2015 Messing ..... D14/447
- D723,042 S \* 2/2015 Lee ..... D14/447
- D726,733 S \* 4/2015 Specht ..... D14/447
- 9,022,337 B2 5/2015 Petruskavich

(Continued)

**FOREIGN PATENT DOCUMENTS**

- EP 2416049 2/2012
- Primary Examiner* — Angela J Lee
- (74) *Attorney, Agent, or Firm* — Michael Best & Friedrich LLP

(57) **CLAIM**

The ornamental design for a tablet mount, as shown and described.

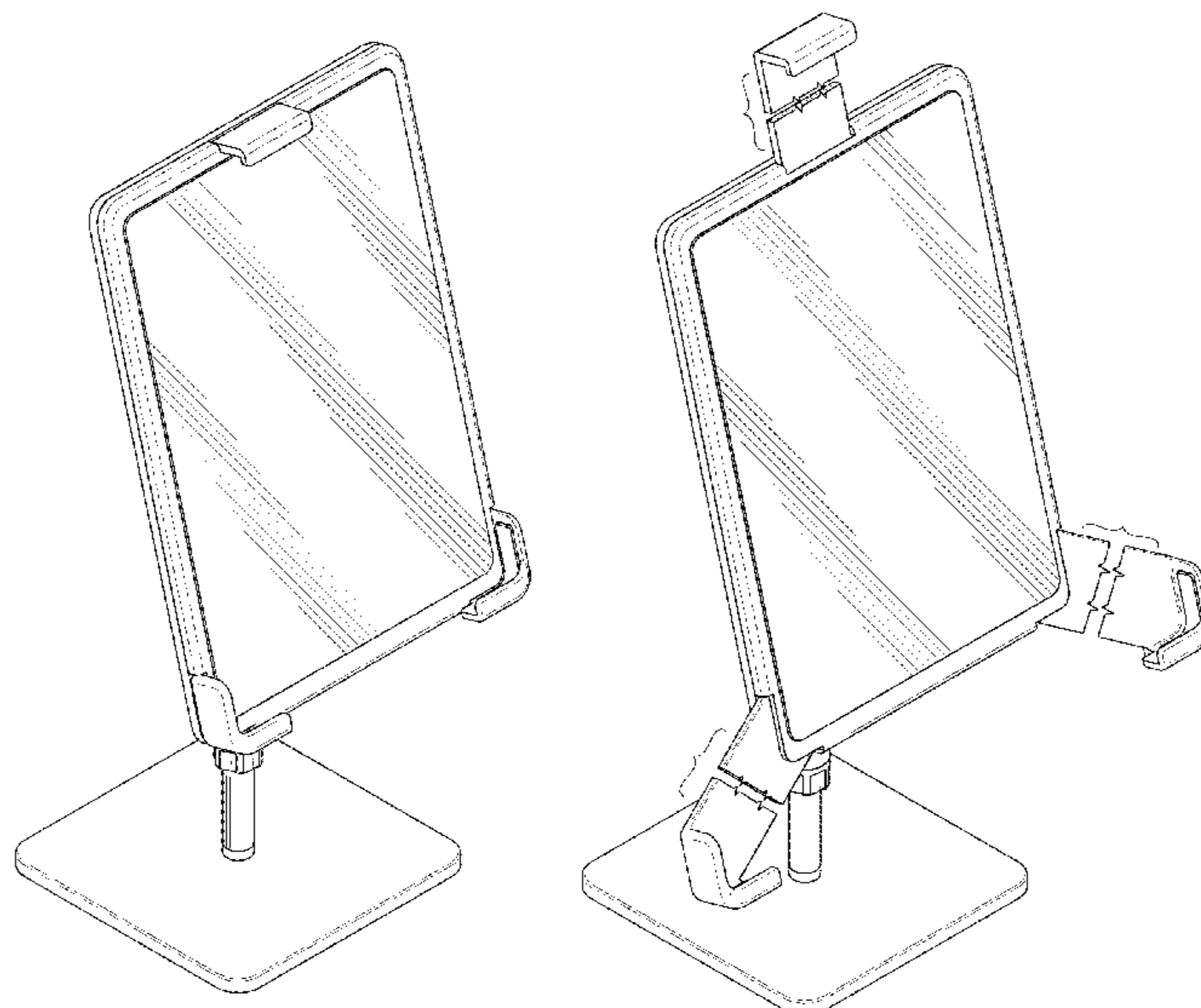
**DESCRIPTION**

FIG. 1 is a front perspective view of an embodiment of the design;  
 FIG. 2 is a front view of FIG. 1;  
 FIG. 3 is a rear view of FIG. 1;  
 FIG. 4 is a right side view of FIG. 1;  
 FIG. 5 is a left side view of FIG. 1;  
 FIG. 6 is a top view of FIG. 1;  
 FIG. 7 is a bottom view of FIG. 1;  
 FIG. 8 is a front perspective view of a second embodiment of the tablet holder with retaining arms extended.  
 FIG. 9 is a front view of FIG. 8;  
 FIG. 10 is a rear view of FIG. 8;  
 FIG. 11 is a right side view of FIG. 8;  
 FIG. 12 is a left side view of FIG. 8;  
 FIG. 13 is a top view of FIG. 8; and,  
 FIG. 14 is a bottom view of FIG. 8.  
 The retaining arms are shown broken away because no particular length is claimed.

**1 Claim, 10 Drawing Sheets**

(56) **References Cited**  
**U.S. PATENT DOCUMENTS**

- 8,066,241 B2 11/2011 Yu et al.
- D654,119 S 2/2012 Lin
- 8,240,628 B2 8/2012 Huang
- D671,950 S 12/2012 Richter
- D684,979 S 6/2013 Chun
- 8,469,325 B2 6/2013 Yu
- D685,380 S \* 7/2013 Richter ..... D14/253
- D687,832 S \* 8/2013 Edwards ..... D14/447
- D692,013 S \* 10/2013 Crysell ..... D14/447
- D692,436 S 10/2013 Hung
- D697,515 S 1/2014 Adelman et al.
- 8,752,802 B1 6/2014 Fan



(56)

**References Cited**

U.S. PATENT DOCUMENTS

9,062,818	B2	6/2015	Fan	
D742,387	S *	11/2015	Xiang .....	D14/447
D746,292	S *	12/2015	Heckler .....	D14/447
D746,824	S *	1/2016	Heckler .....	D14/447
D750,060	S *	2/2016	Brassard .....	D14/253
D753,126	S	4/2016	Alesi et al.	
2012/0025036	A1	2/2012	Huang	
2012/0187257	A1	7/2012	Zou	
2012/0273637	A1	11/2012	Huang	
2012/0312936	A1	12/2012	Huang	
2013/0134267	A1	5/2013	Liu	
2014/0263931	A1	9/2014	Chen	

\* cited by examiner

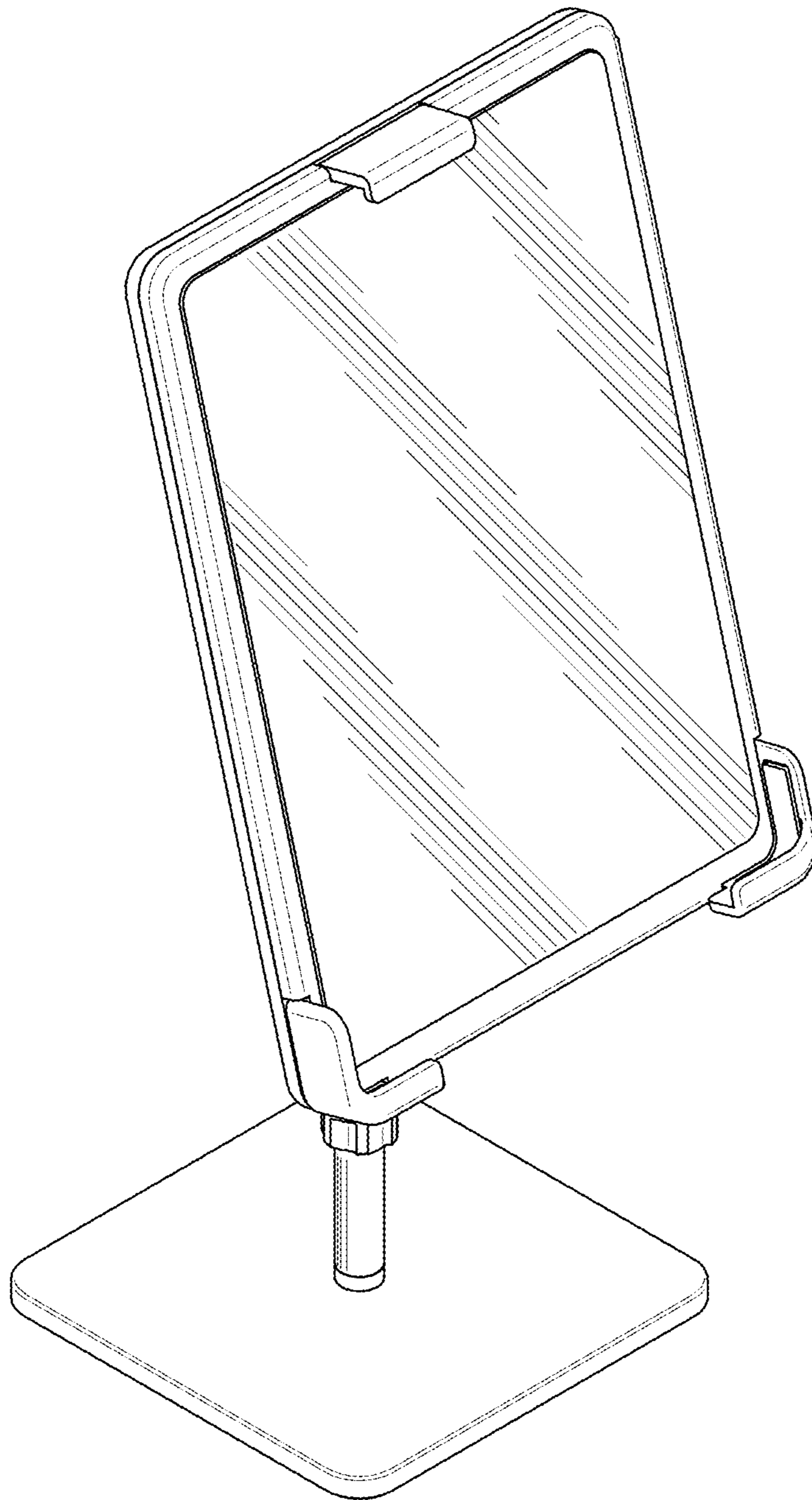


FIG. 1

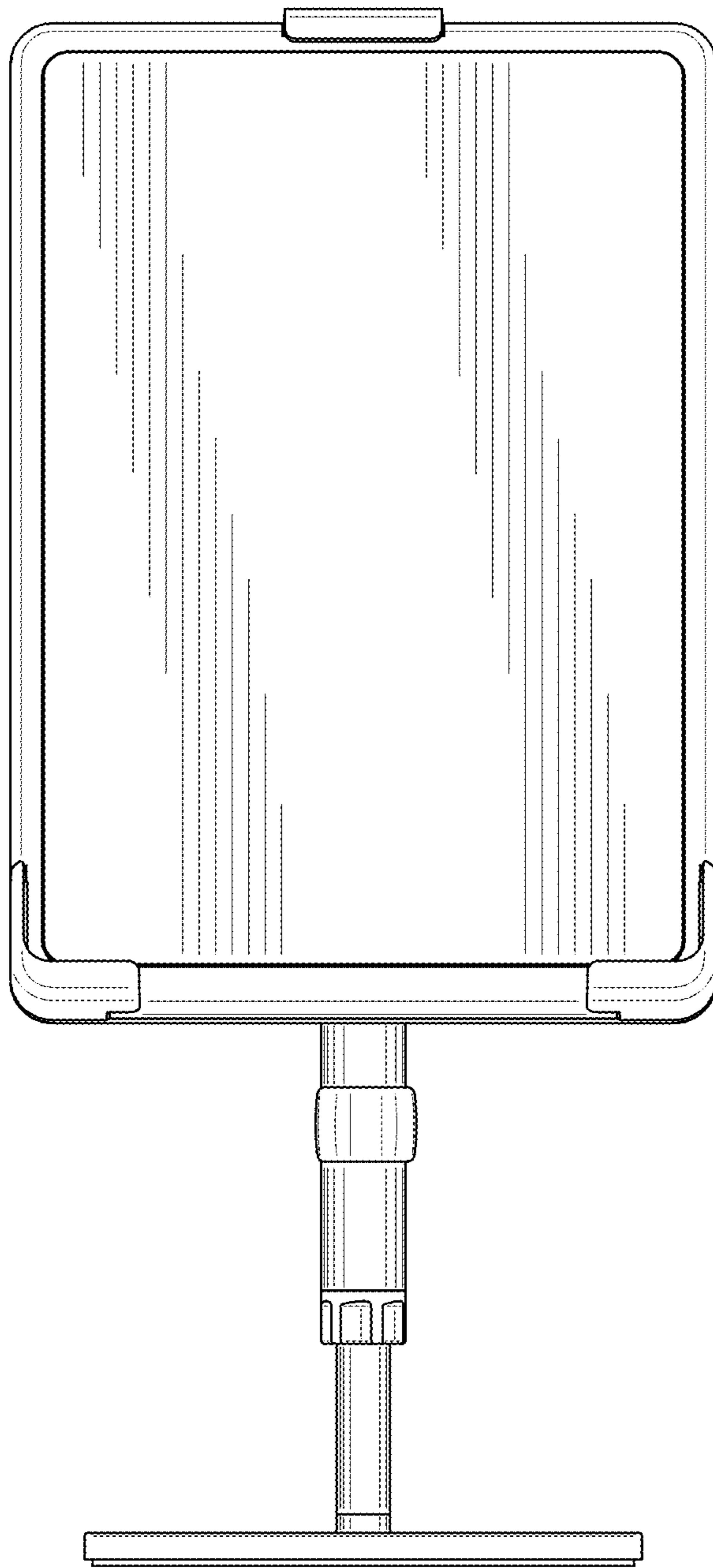


FIG. 2

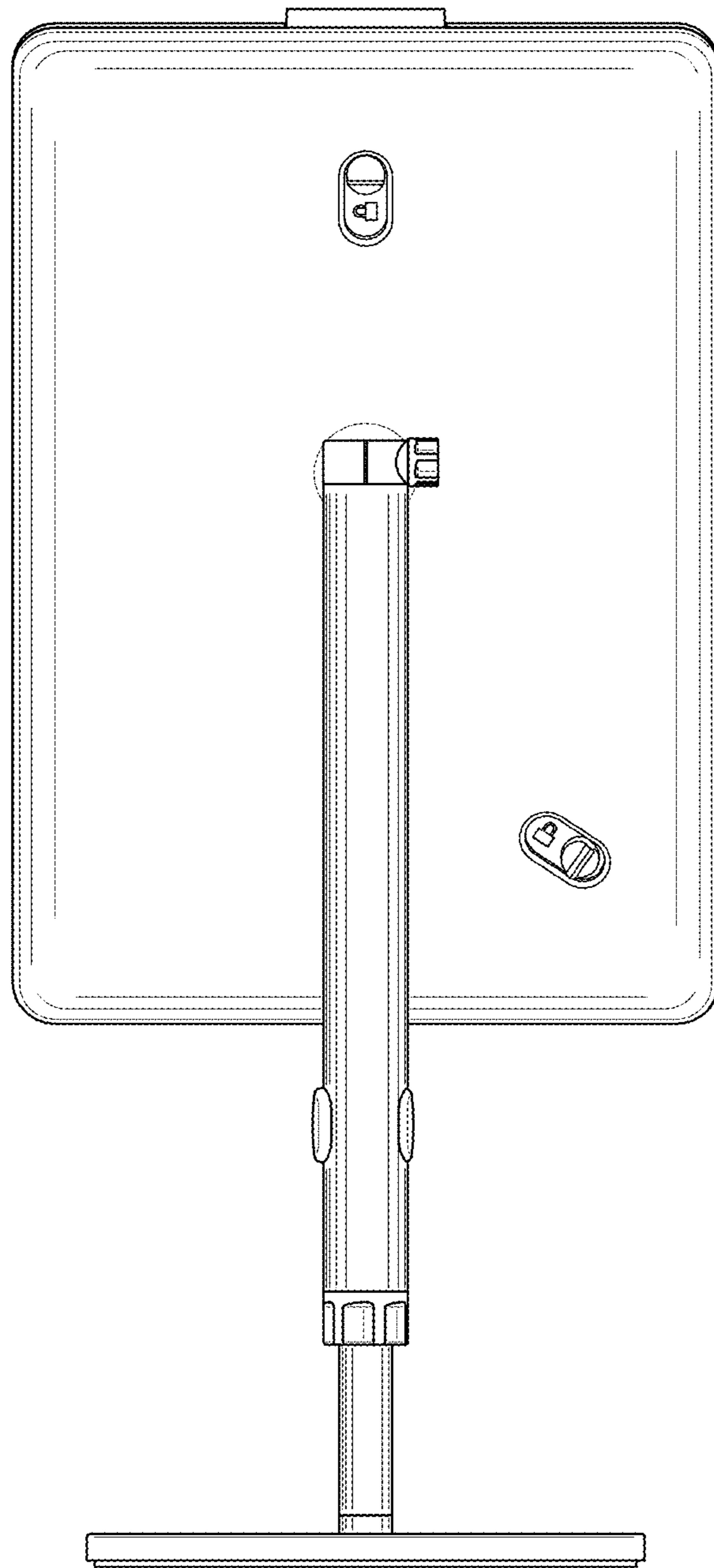


FIG. 3

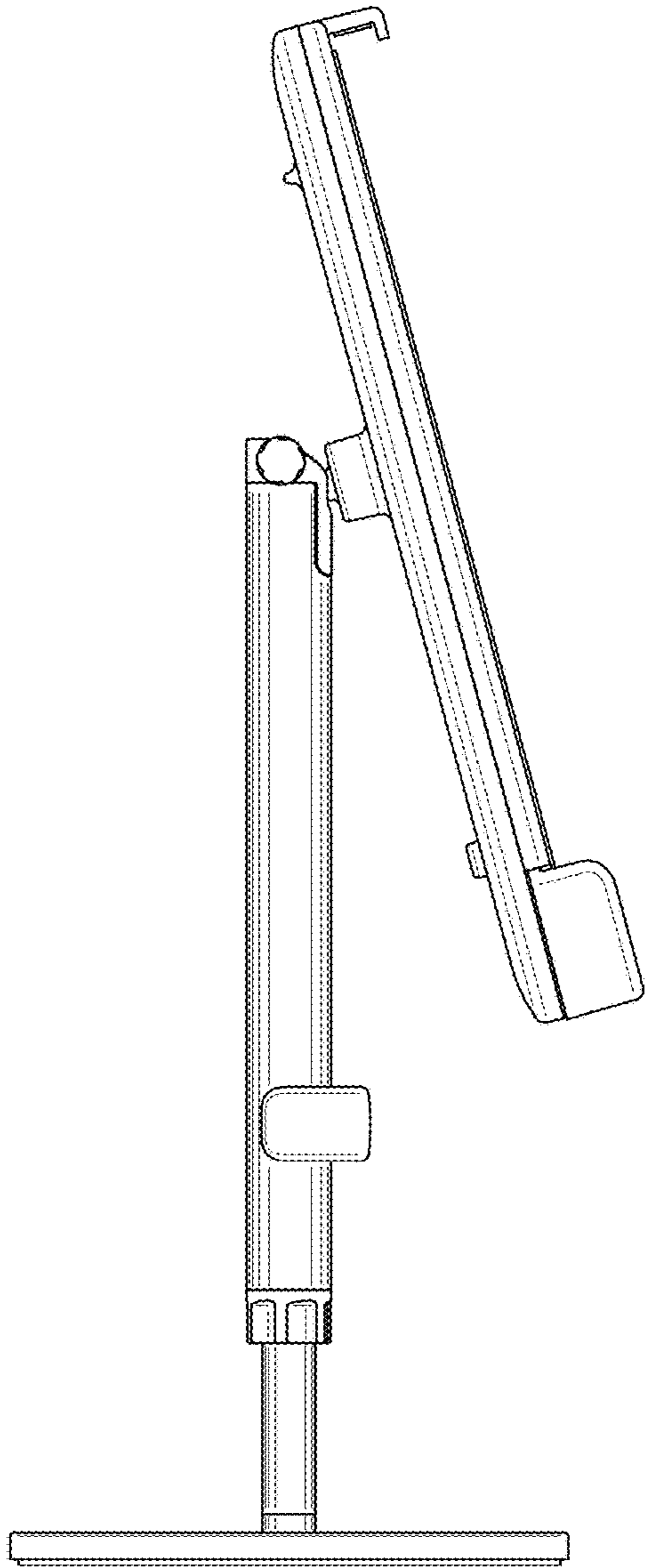


FIG. 4

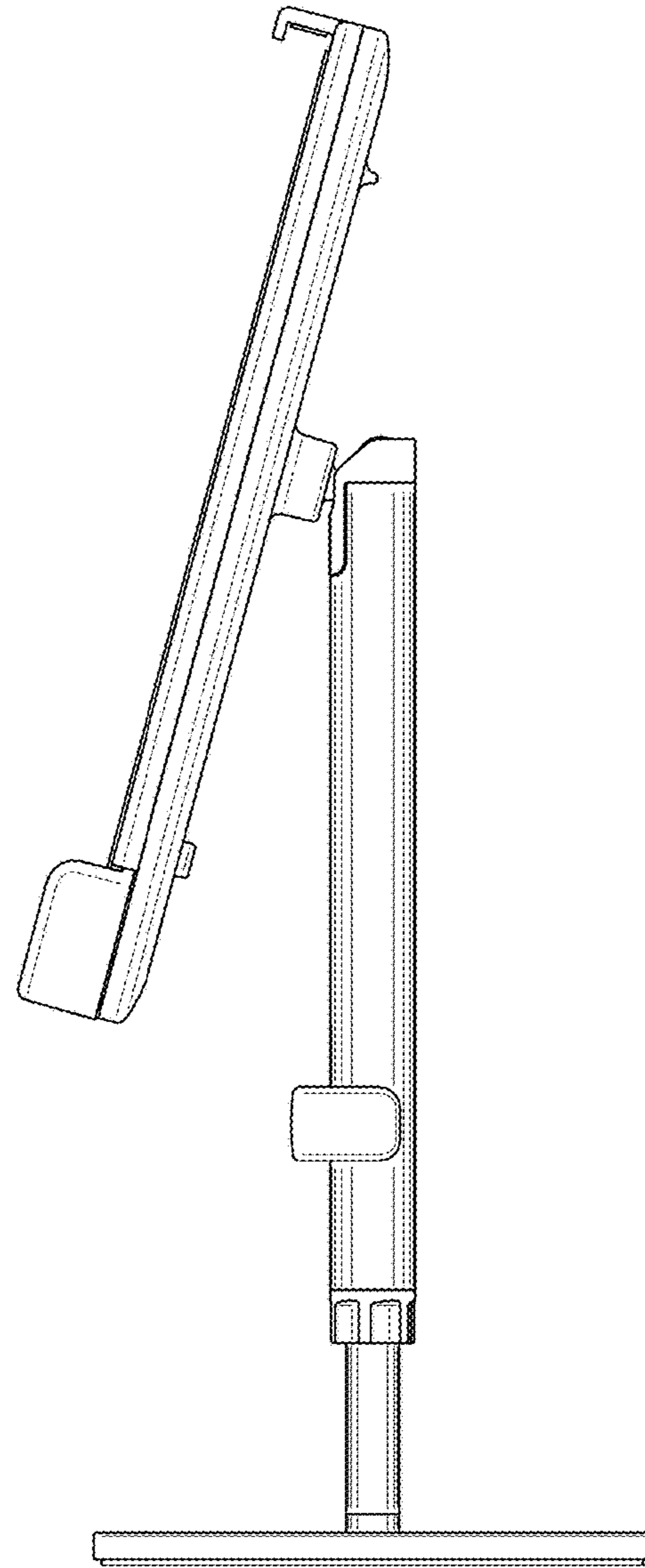


FIG. 5

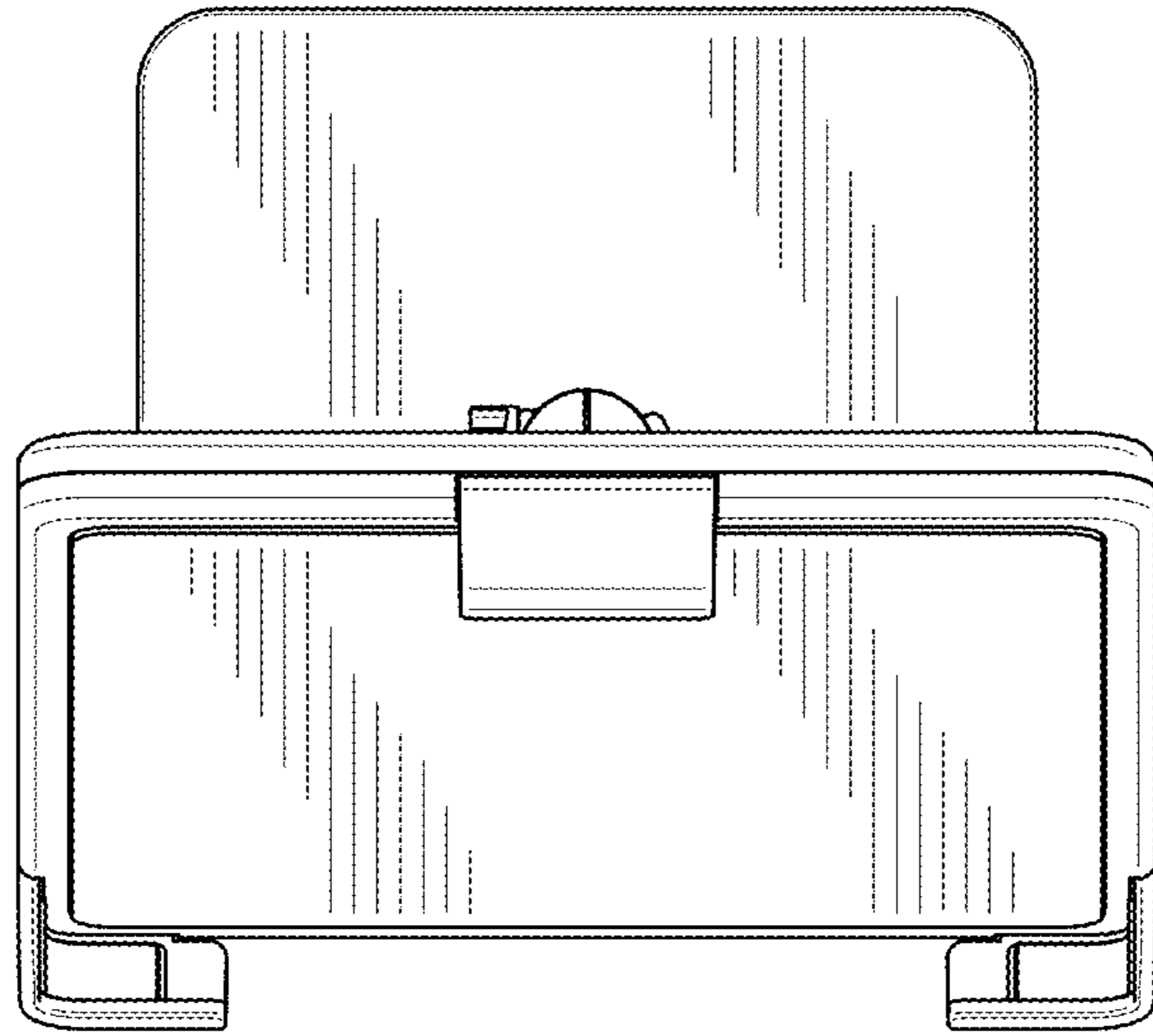


FIG. 6

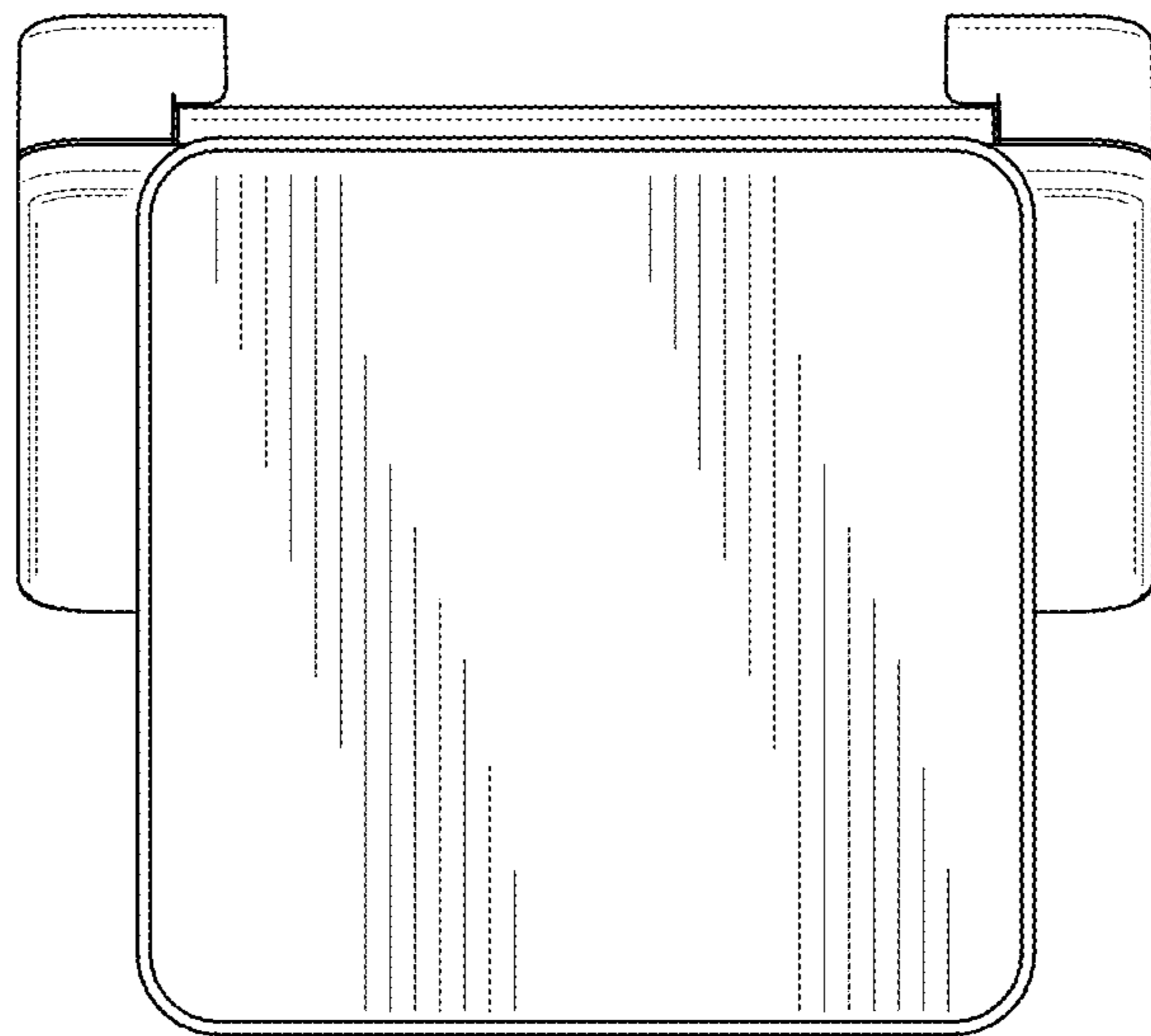


FIG. 7

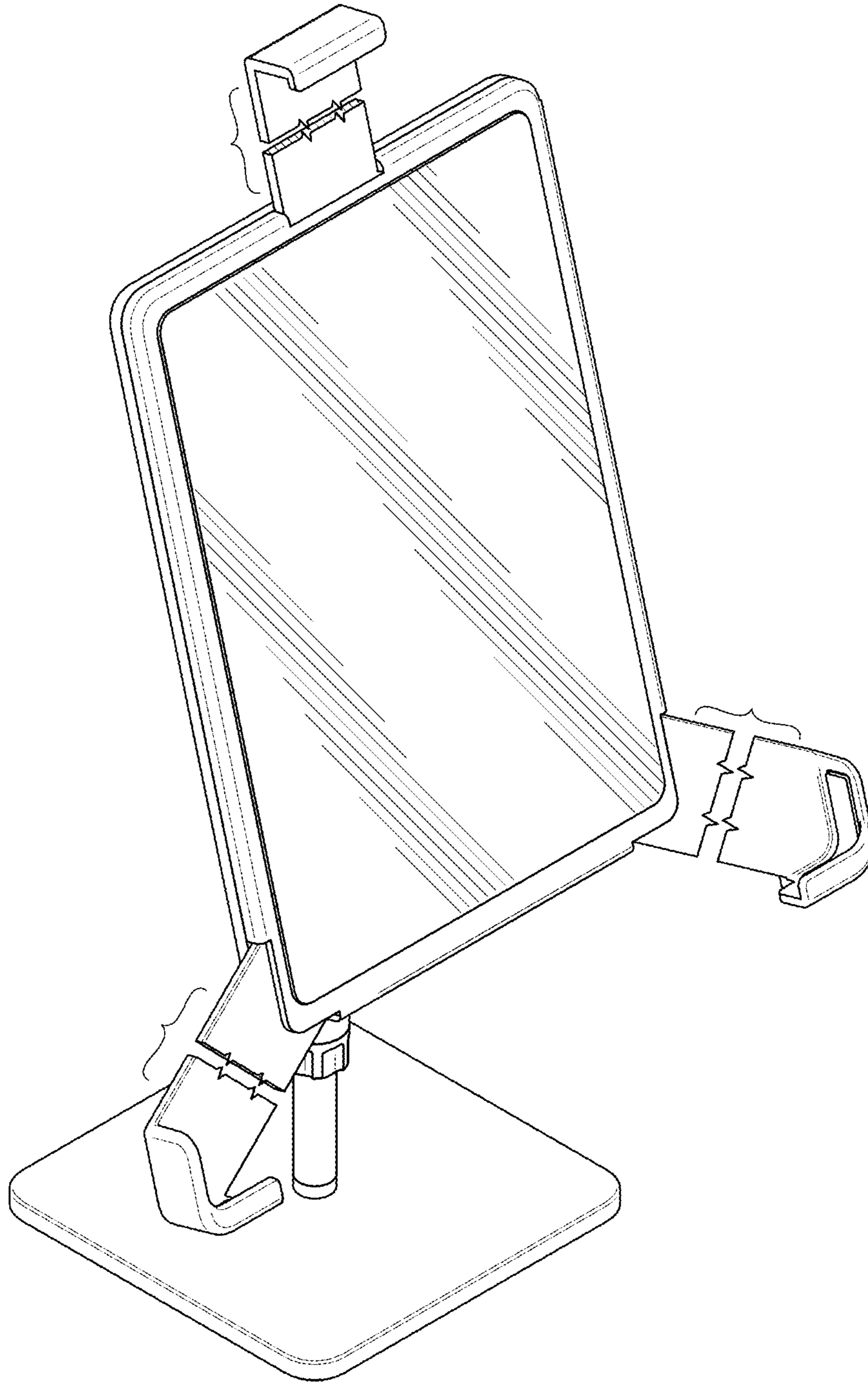


FIG. 8



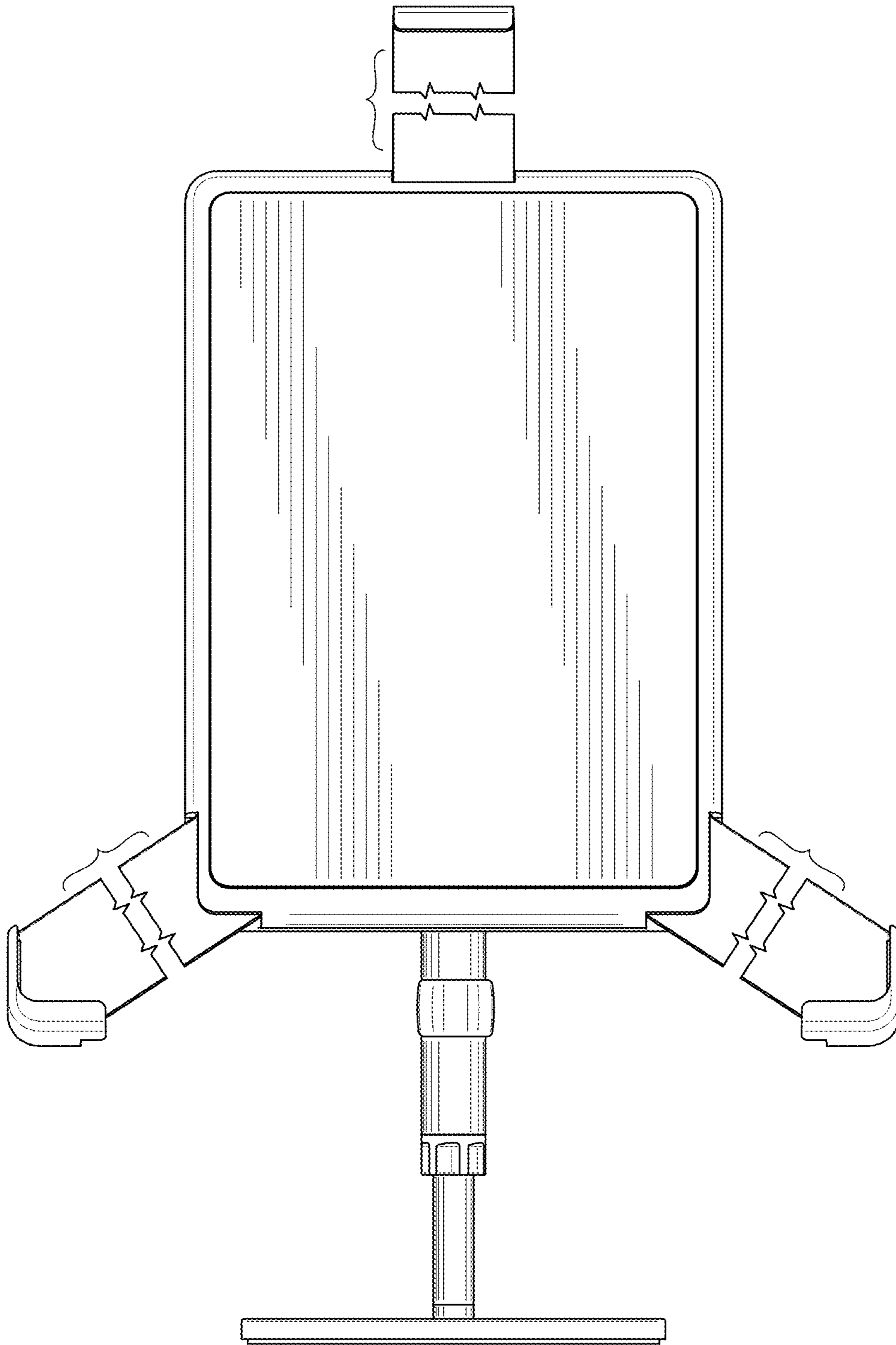


FIG. 9

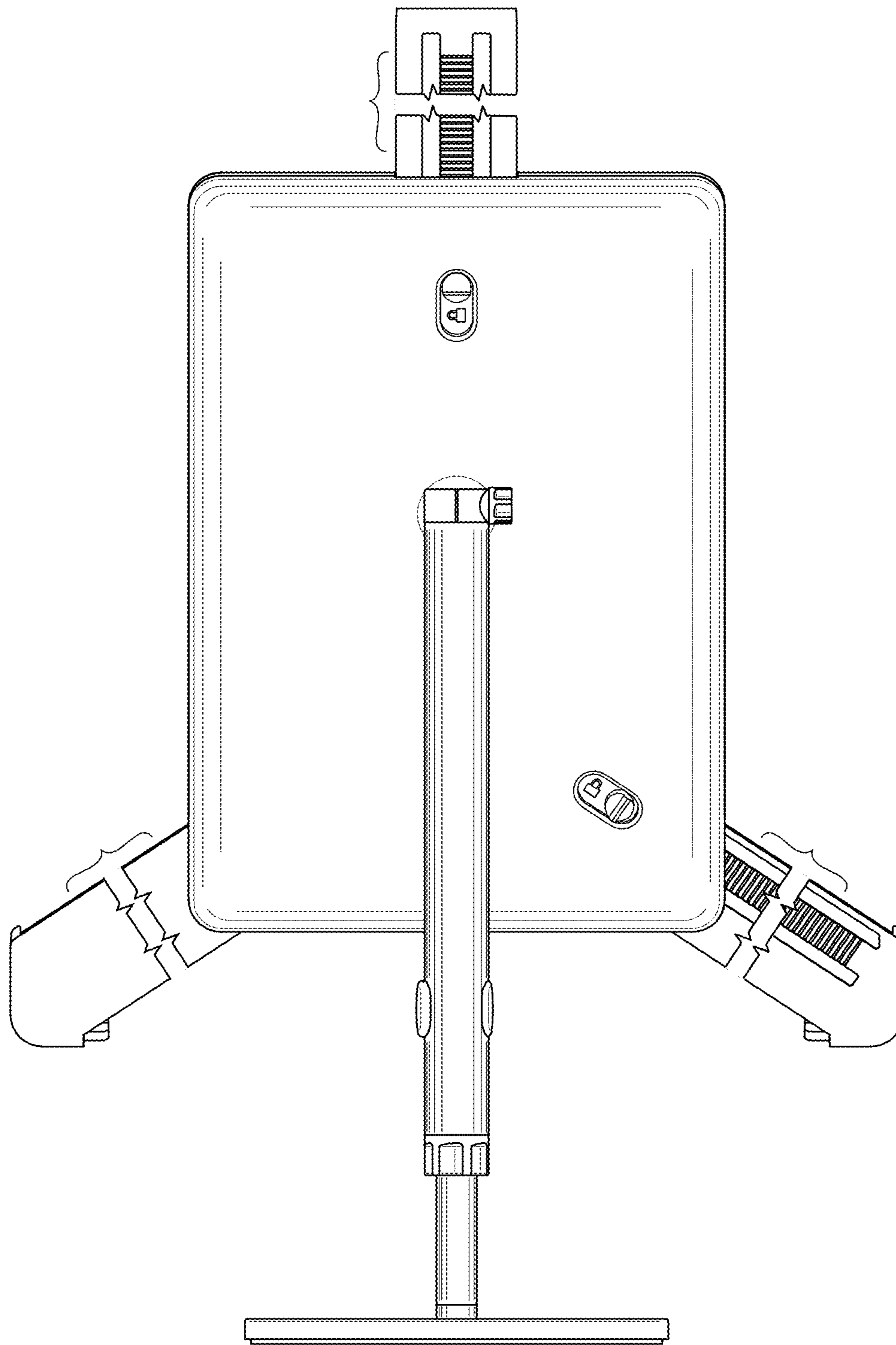


FIG. 10

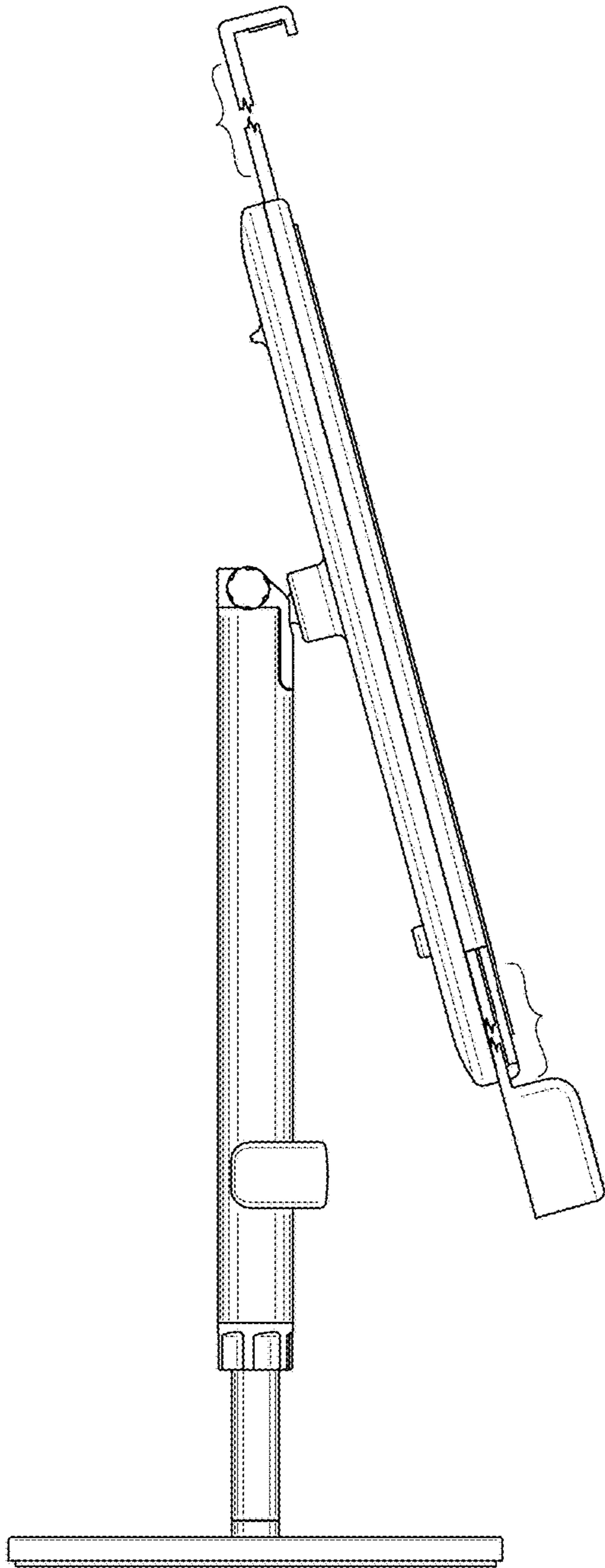


FIG. 11

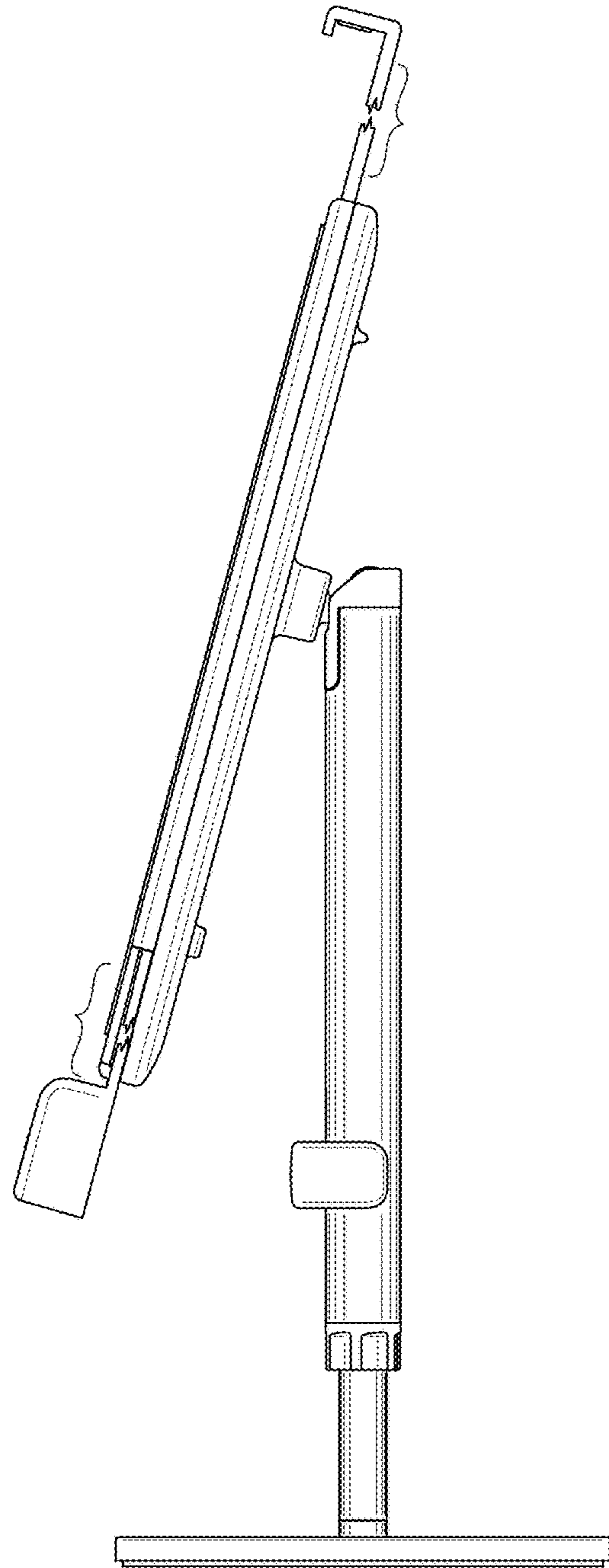


FIG. 12

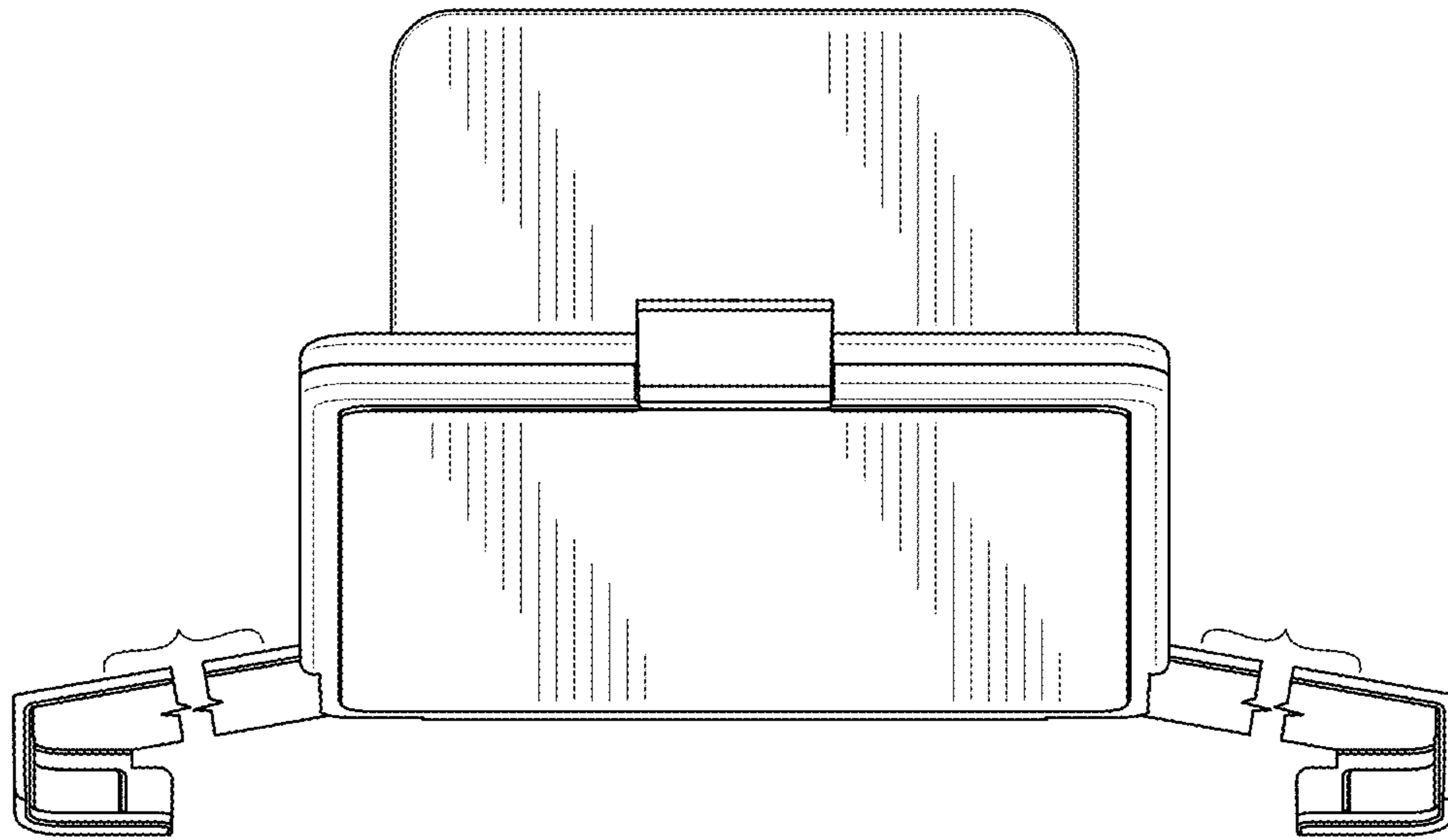


FIG. 13

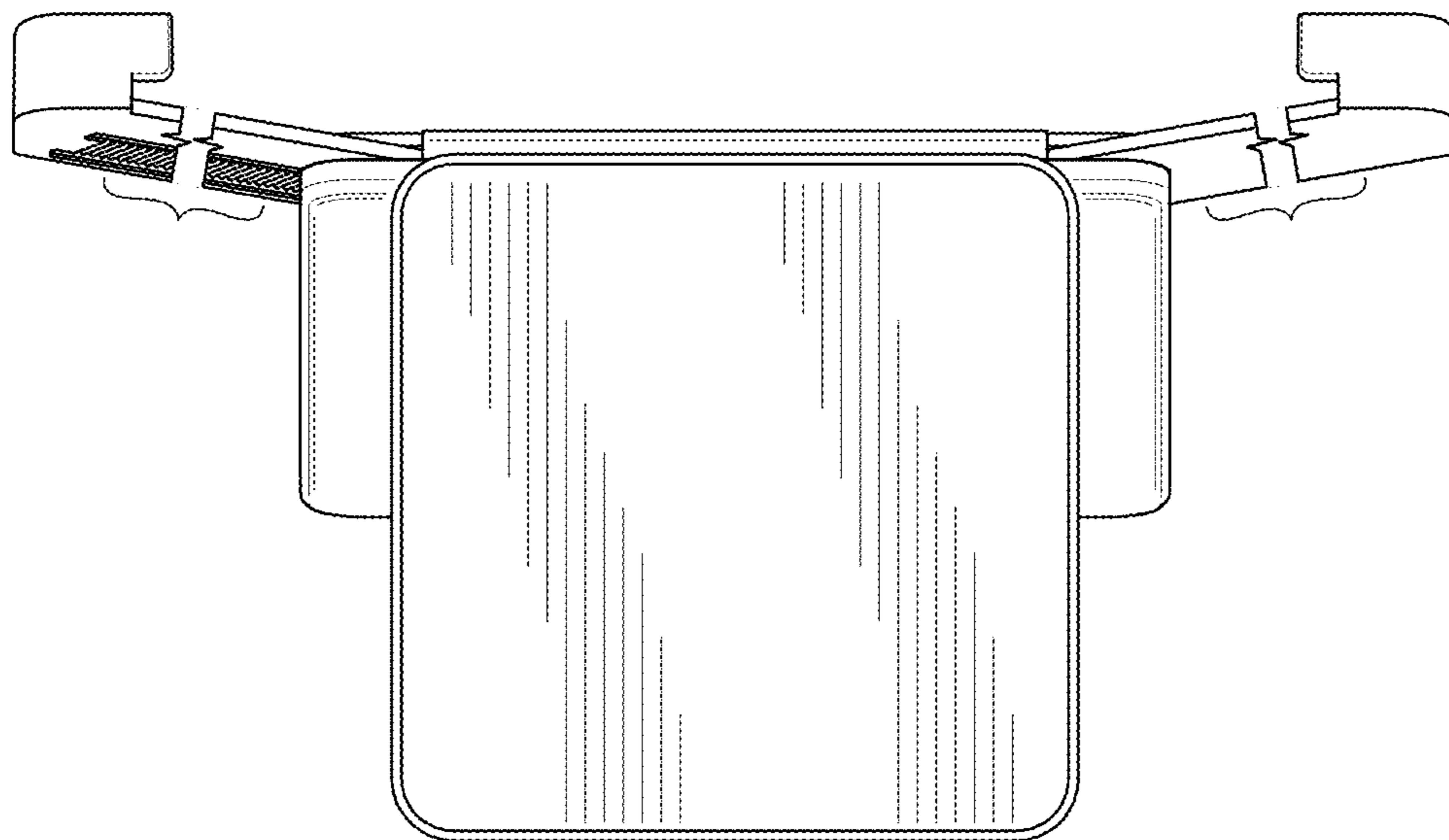


FIG. 14