



US00D795265S

(12) **United States Design Patent**  
**Li**

(10) **Patent No.:** **US D795,265 S**

(45) **Date of Patent:** **\*\* Aug. 22, 2017**

(54) **HOLDER FOR PORTABLE ELECTRONIC DEVICE**

(71) Applicant: **GETAC TECHNOLOGY CORPORATION**, Hsinchu County (TW)

(72) Inventor: **Chun-Hsing Li**, Taipei (TW)

(73) Assignee: **Getac Technology Corporation**, Hsinchu County (TW)

(\*\*) Term: **15 Years**

(21) Appl. No.: **29/570,574**

(22) Filed: **Jul. 8, 2016**

(51) **LOC (10) Cl.** ..... **08-07**

(52) **U.S. Cl.**  
USPC ..... **D14/447**

(58) **Field of Classification Search**  
USPC ..... D14/447, 432, 434, 439, 440, 451, 452, D14/457, 239; D8/363, 373, 380; D6/406.3, 406.4, 406.5, 406.6; D12/415  
CPC ..... A47B 21/04; A47B 2097/006; A47B 2097/005; A47B 2023/049; A45C 2011/002; A45C 2011/003; F16M 2200/00; F16M 13/00  
See application file for complete search history.

(56) **References Cited**

**U.S. PATENT DOCUMENTS**

D717,804 S \* 11/2014 Budge ..... D14/447  
D723,042 S \* 2/2015 Lee ..... D14/447

D732,545 S \* 6/2015 Apter ..... D14/447  
D733,526 S \* 7/2015 Delrue ..... D14/447  
D741,146 S \* 10/2015 Delrue ..... D14/447  
D752,596 S \* 3/2016 Choi ..... D14/447  
D763,235 S \* 8/2016 Brown ..... D14/239  
D767,575 S \* 9/2016 Green ..... D14/447  
D776,095 S \* 1/2017 Brown ..... D14/239  
D778,105 S \* 2/2017 Coffey, Jr. .... D14/447  
D778,283 S \* 2/2017 Tsai ..... D14/447

\* cited by examiner

*Primary Examiner* — Angela J Lee

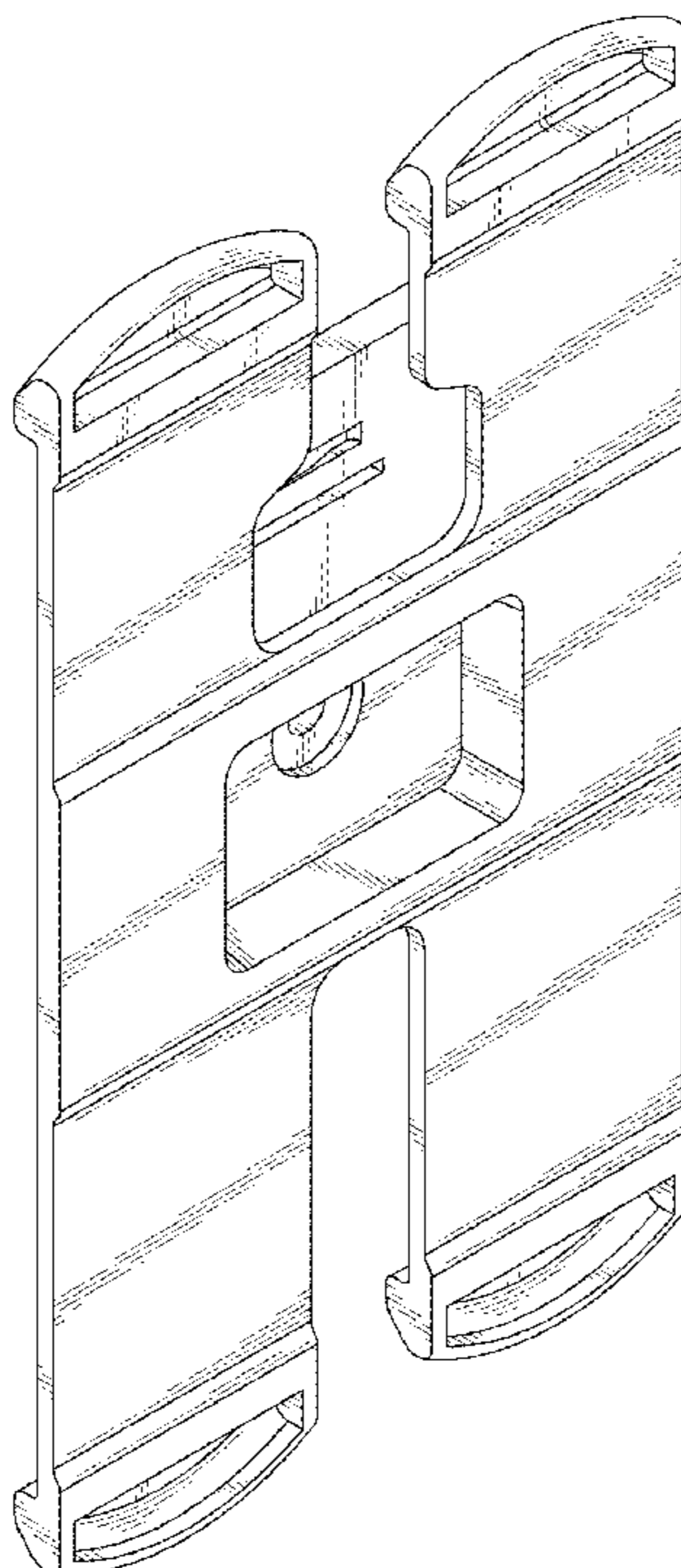
(57) **CLAIM**

I claim the ornamental design for a holder for portable electronic device, as shown and described.

**DESCRIPTION**

FIG. 1 is a top front left perspective view showing my new design;  
FIG. 2 is a bottom rear right perspective view of my new design;  
FIG. 3 is a front view thereof;  
FIG. 4 is a rear view thereof;  
FIG. 5 is a left side view thereof;  
FIG. 6 is a right side view thereof;  
FIG. 7 is a top view thereof;  
FIG. 8 is a bottom view thereof; and,  
FIG. 9 is a reference perspective view of my new design installed on a portable electronic device.

**1 Claim, 7 Drawing Sheets**



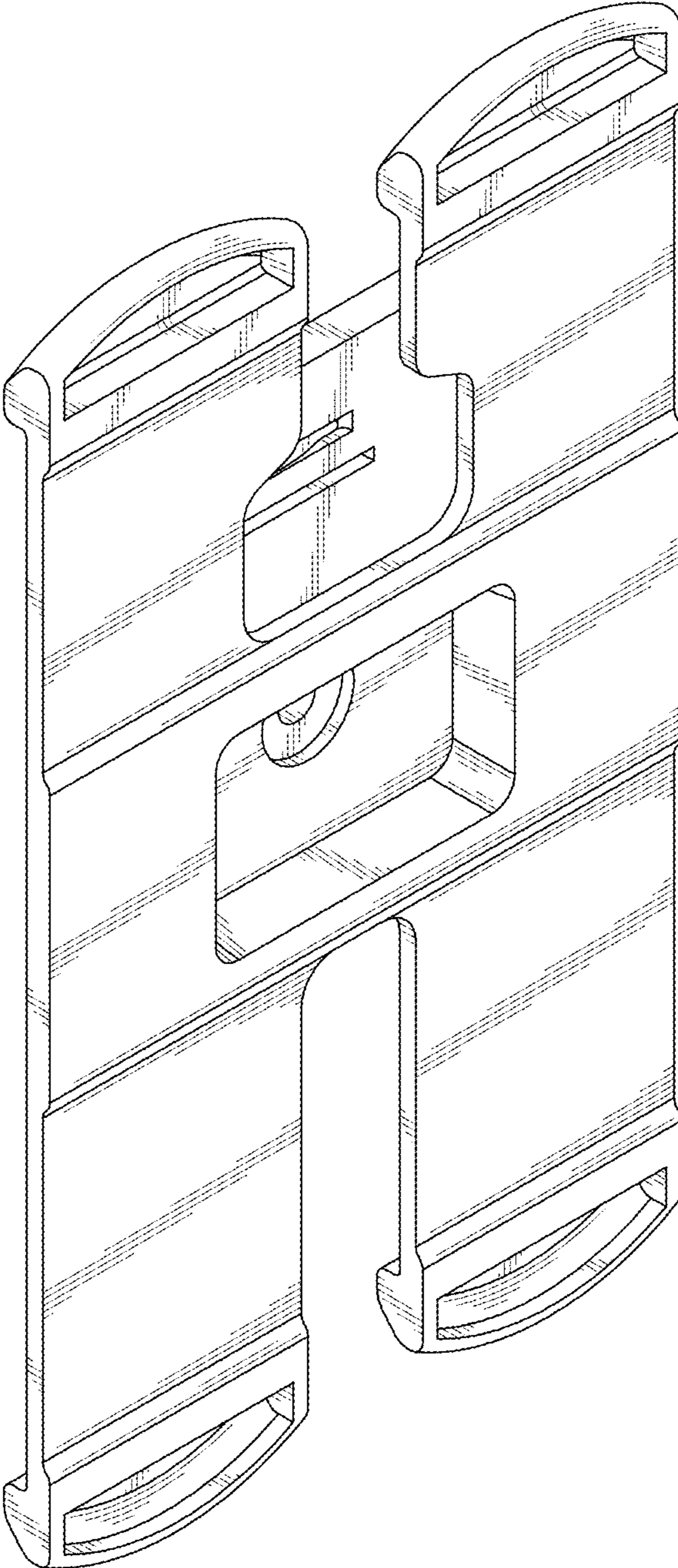


FIG. 1

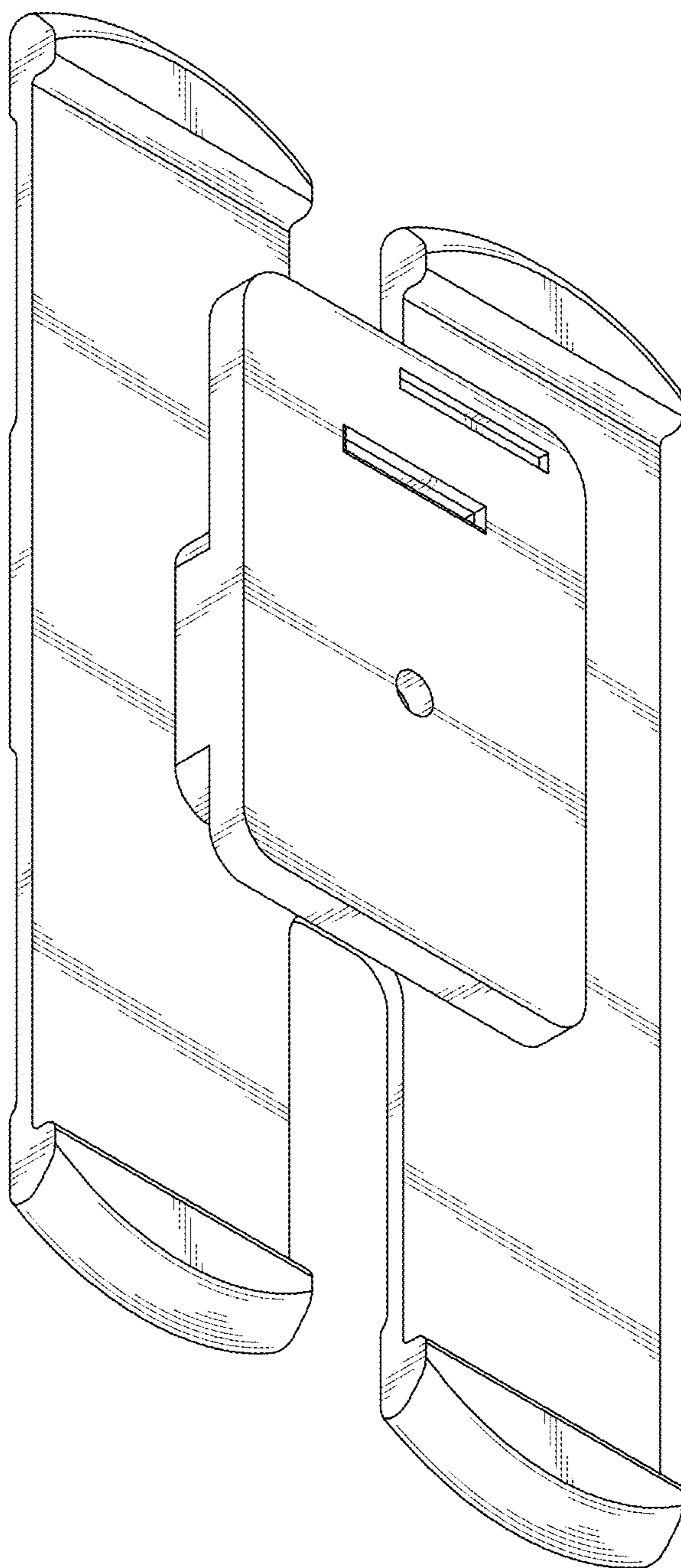


FIG. 2

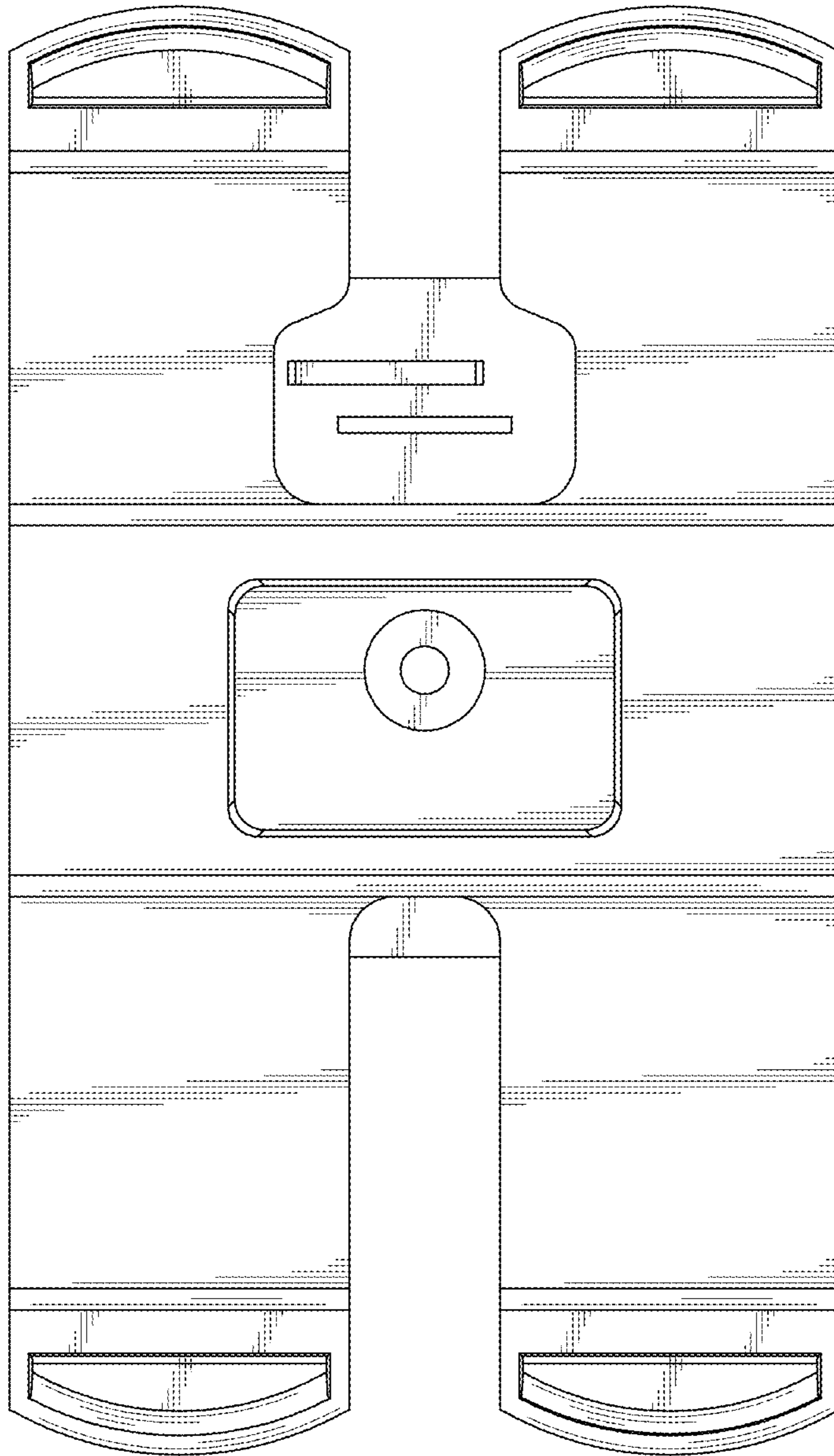


FIG. 3

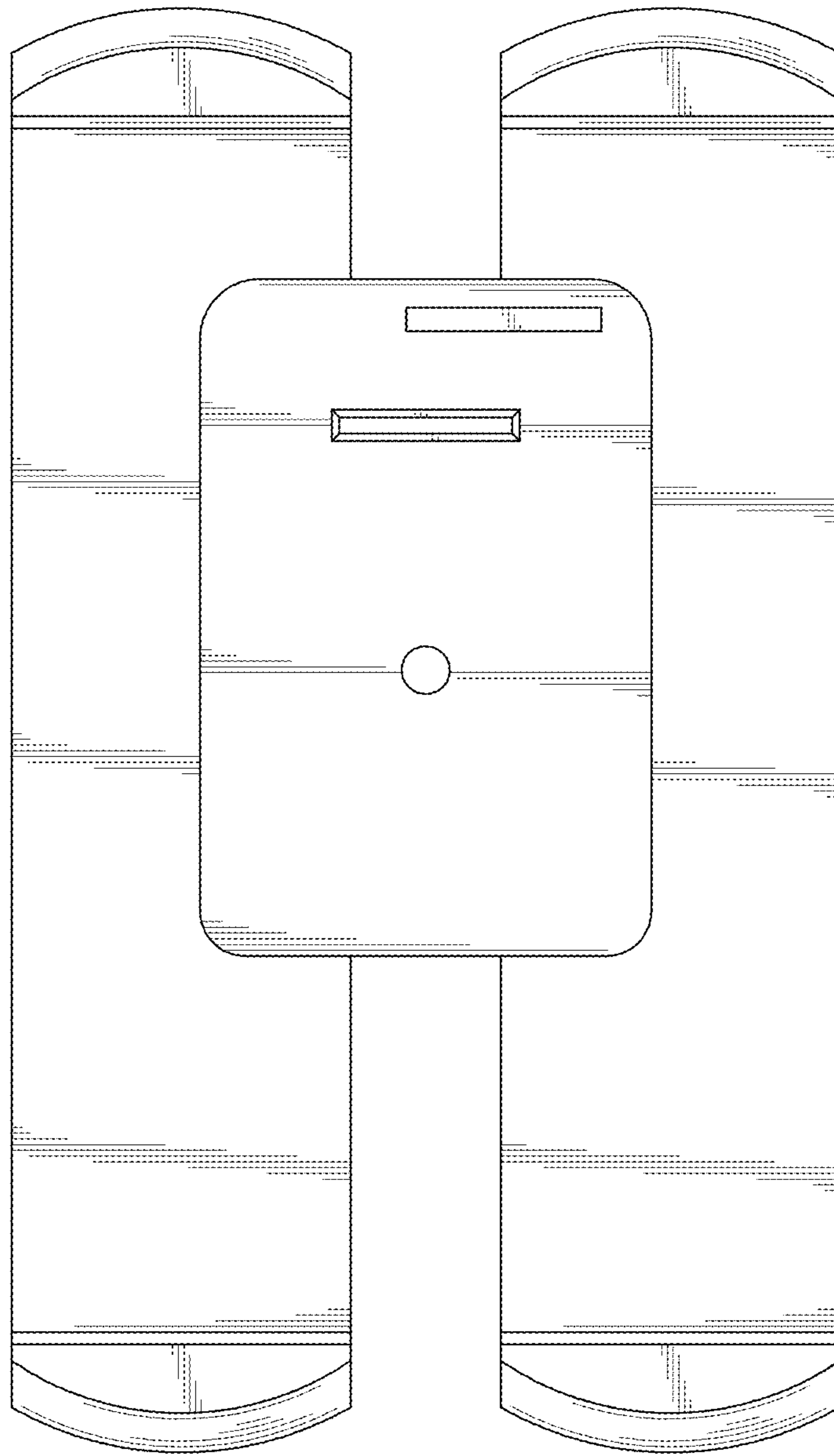


FIG. 4

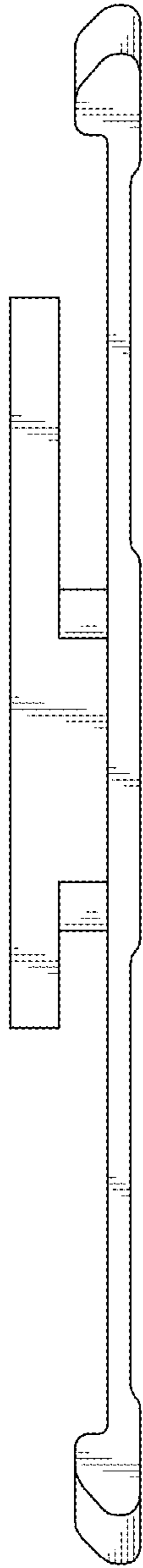


FIG. 5

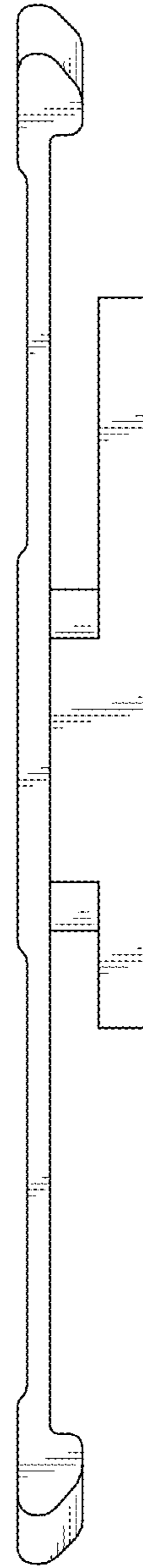


FIG. 6

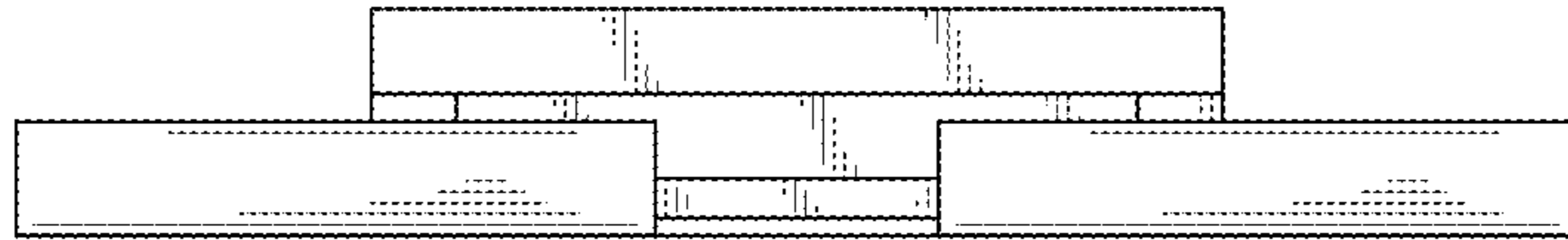


FIG. 7

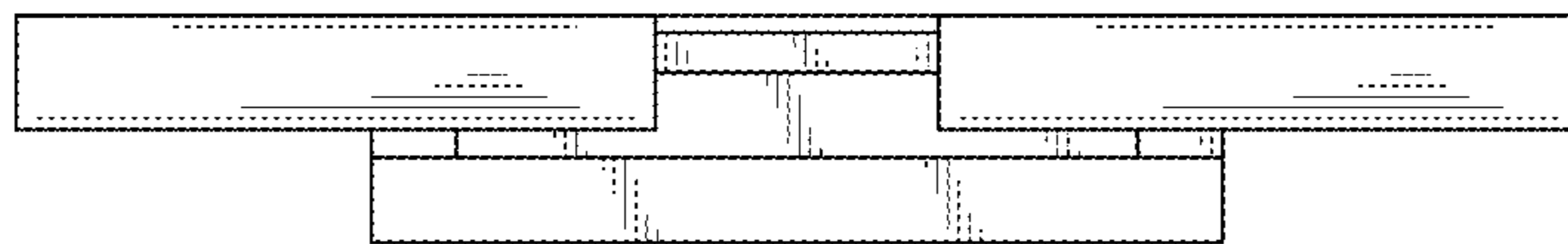


FIG. 8

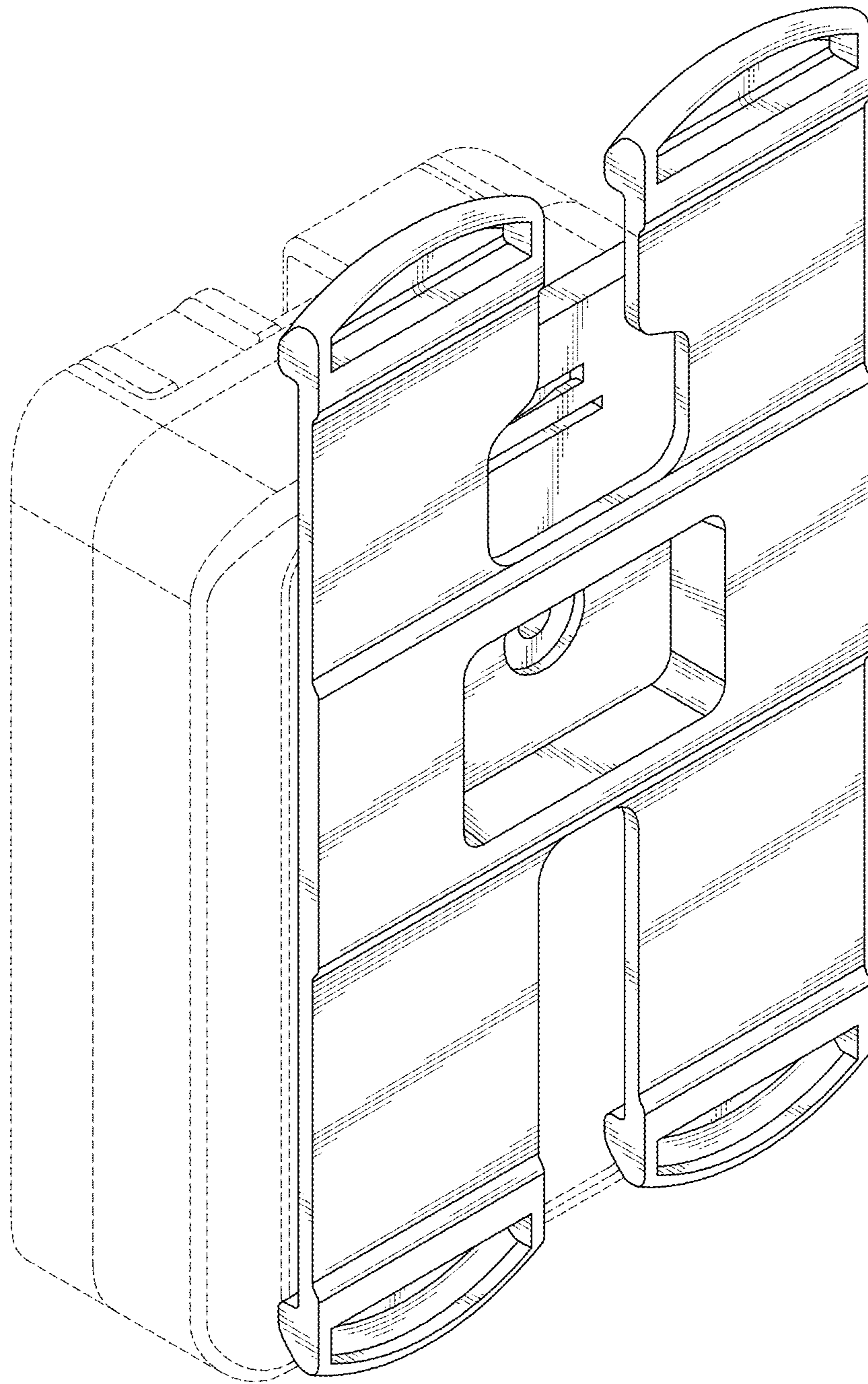


FIG. 9