

US00D795264S

(12) **United States Design Patent**
Wright et al.

(10) **Patent No.:** **US D795,264 S**

(45) **Date of Patent:** **** Aug. 22, 2017**

(54) **CASE**

(71) Applicant: **CATALYST LIFESTYLE LIMITED,**
North Point (CN)

(72) Inventors: **Joshua Wright,** Hong Kong (CN);
June Lai, Hong Kong (CN)

(73) Assignee: **CATALYST LIFESTYLE LIMITED,**
North Point, Hong Kong (CN)

(**) Term: **15 Years**

(21) Appl. No.: **29/564,070**

(22) Filed: **May 10, 2016**

(51) **LOC (10) Cl.** **14-02**

(52) **U.S. Cl.**
USPC **D14/440; D14/439**

(58) **Field of Classification Search**
USPC D14/341–347, 424, 425, 432–453, 464,
D14/468, 469, 471, 496, 511, 138 AA,
D14/138 AD, 138 C, 138 G, 203.1–203.8,
D14/217, 238.1, 248, 250, 257, 299;
361/679.55
CPC G06F 1/1626; G06F 1/1656; G06F 1/1637;
G06F 1/1635; G06F 1/1613; G06F
1/1633; G06F 1/1601; H01Q 1/42; Y10T
29/49995; H05K 5/0217
See application file for complete search history.

(56) **References Cited**

U.S. PATENT DOCUMENTS

- 7,180,735 B2 2/2007 Thomas et al.
- D600,245 S * 9/2009 Lam D14/346
- 7,907,394 B2 3/2011 Richardson et al.
- 7,941,196 B2 5/2011 Kawasaki et al.
- D641,756 S 7/2011 Hsieh et al.
- D643,433 S 8/2011 Hsieh et al.
- D643,843 S 8/2011 Hsieh et al.
- D647,526 S 10/2011 Vandiver et al.

- 8,164,899 B2 4/2012 Yamaguchi et al.
- D662,503 S * 6/2012 Akana D14/439
- 8,269,104 B2 9/2012 Choraku et al.
- D671,947 S * 12/2012 Akana D14/439
- D673,159 S 12/2012 McCarthy et al.
- D675,210 S 1/2013 Kim
- D679,714 S 4/2013 Smith et al.
- D692,428 S * 10/2013 Janson D14/388

(Continued)

OTHER PUBLICATIONS

International Search Report—Written Opinion, PCT/US15/25549.
Dated Jul. 14, 2015, 8 pages.

(Continued)

Primary Examiner — Austin Murphy

(74) *Attorney, Agent, or Firm* — Dinsmore & Shohl LLP

(57) **CLAIM**

The ornamental design for a case, as shown and described.

DESCRIPTION

FIG. 1 is a perspective view of a rear, an end, and a side of the case;

FIG. 2 is a perspective view of the rear, an opposite end, and the opposite side of the case of FIG. 1;

FIG. 3 is a perspective view of a front, the end, and the opposite side of the case of FIG. 1;

FIG. 4 is a perspective view of the front, the opposite end, and the side of the case of FIG. 1;

FIG. 5 is a planar view of the rear of the case of FIG. 1;

FIG. 6 is a planar view of the front of the case of FIG. 1;

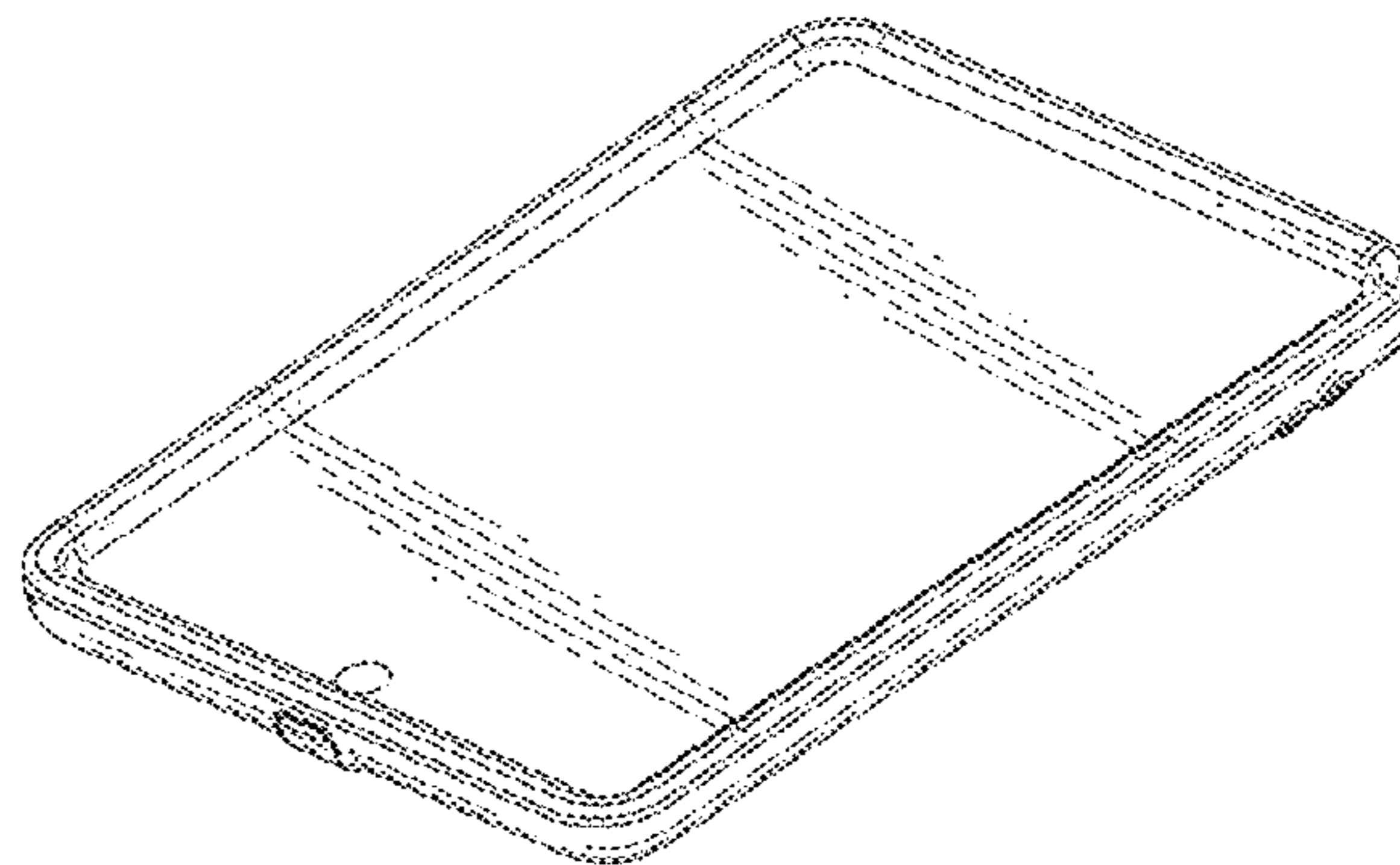
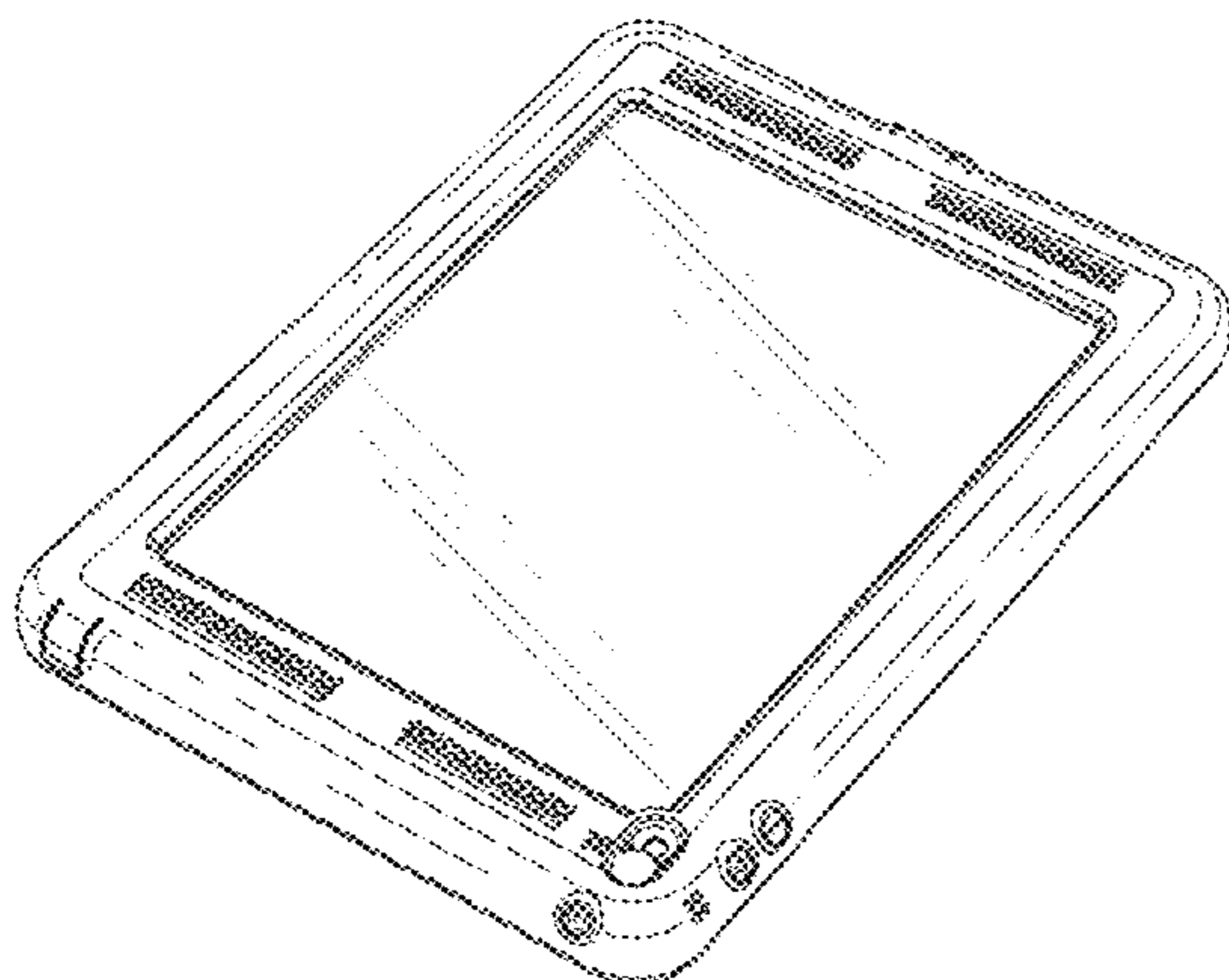
FIG. 7 is a planar view of the side of the case of FIG. 1;

FIG. 8 is a planar view of the opposite side of the case of FIG. 1;

FIG. 9 is a planar view of the end of the case of FIG. 1; and,

FIG. 10 is a planar view of the opposite end of the case of FIG. 1.

1 Claim, 4 Drawing Sheets



(56)

References Cited

U.S. PATENT DOCUMENTS

D694,244 S 11/2013 Magness et al.
 D696,234 S 12/2013 Wright
 D703,211 S 4/2014 Weller et al.
 D706,272 S 6/2014 Poon
 D710,855 S * 8/2014 Akana D14/439
 D718,767 S * 12/2014 Akana D14/439
 D724,094 S 3/2015 Blochinger et al.
 D725,117 S 3/2015 Melanson et al.
 D729,785 S 5/2015 Magness et al.
 D731,493 S 6/2015 Mills
 D732,538 S * 6/2015 Corbin D14/439
 D734,758 S * 7/2015 Myung D14/439
 D735,207 S 7/2015 Dahlberg
 9,077,013 B2 7/2015 Huang et al.
 D736,777 S 8/2015 Rayner
 9,107,484 B2 8/2015 Chaney
 9,123,935 B2 9/2015 Huang
 D749,077 S * 2/2016 Akana D14/439
 D755,187 S 5/2016 Shannon, III

D759,658 S * 6/2016 Lai D14/440
 D767,572 S * 9/2016 Akana D14/439
 9,444,506 B2 9/2016 Lai et al.
 D768,637 S * 10/2016 Akana D14/439
 D781,863 S * 3/2017 Lai D14/440
 2009/0009945 A1 1/2009 Johnson et al.
 2009/0215412 A1 8/2009 Liu et al.
 2010/0311475 A1 12/2010 Takatsuka et al.
 2011/0024315 A1 2/2011 Kim
 2012/0043235 A1 2/2012 Klement
 2012/0099266 A1 4/2012 Reber et al.
 2012/0118773 A1 5/2012 Rayner
 2012/0325723 A1 12/2012 Carnevali
 2013/0063004 A1 3/2013 Lai et al.
 2013/0271902 A1 10/2013 Lai et al.
 2014/0016217 A1 1/2014 Rayner

OTHER PUBLICATIONS

International Search Report, Written Opinion—PCT/US2016/045486, dated Nov. 1, 2016, 10 pages.

* cited by examiner

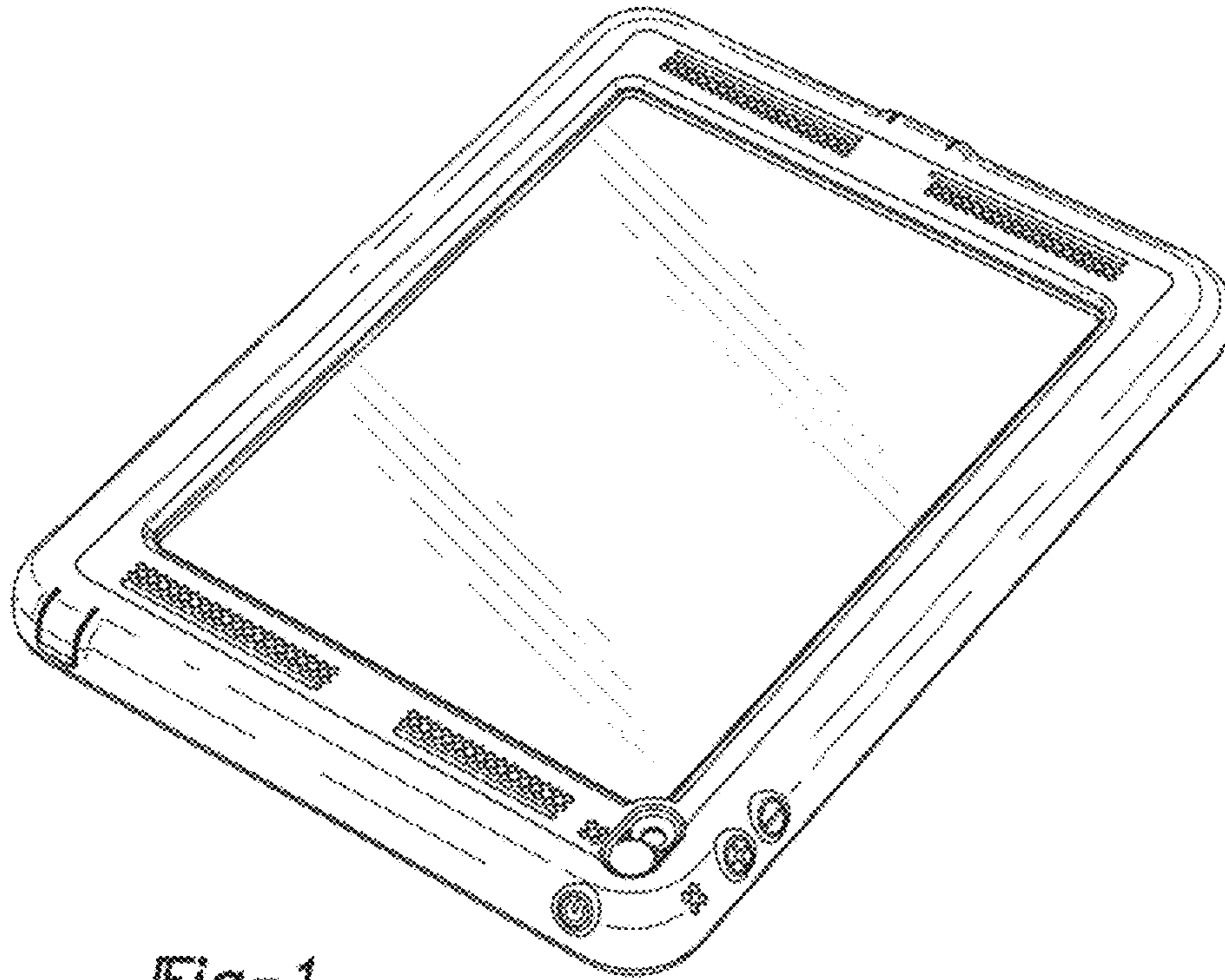


Fig-1

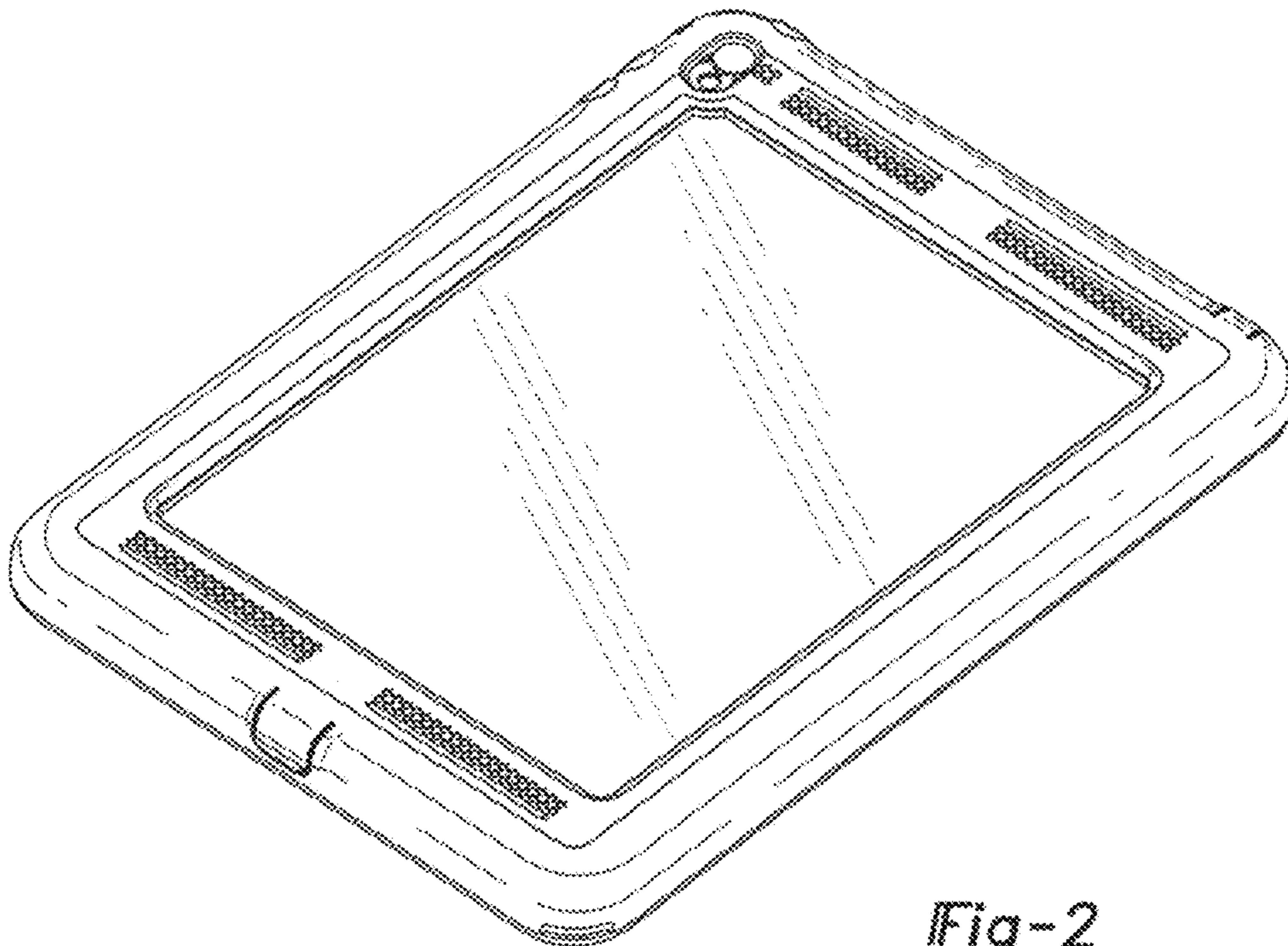


Fig-2

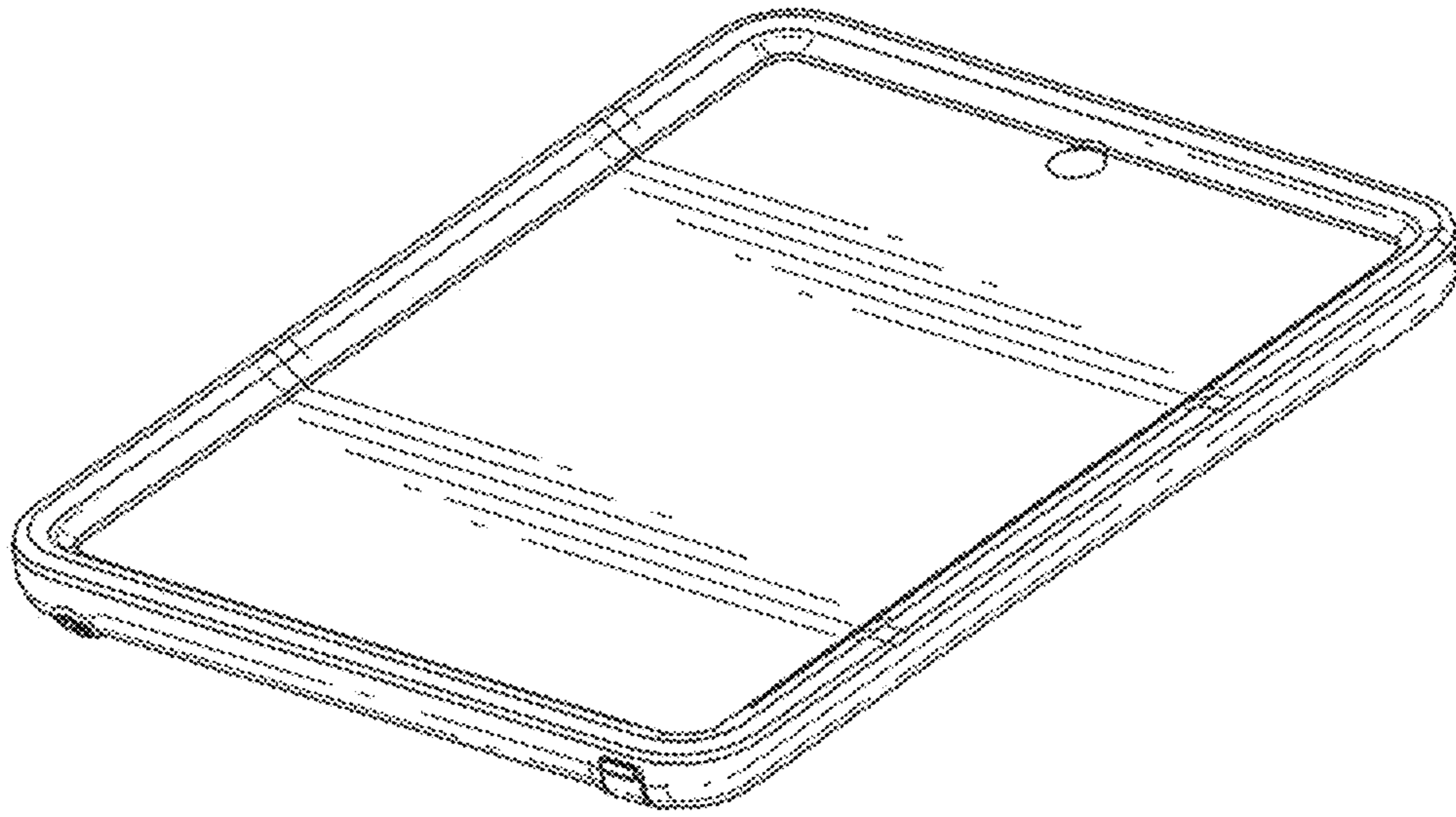


Fig-3

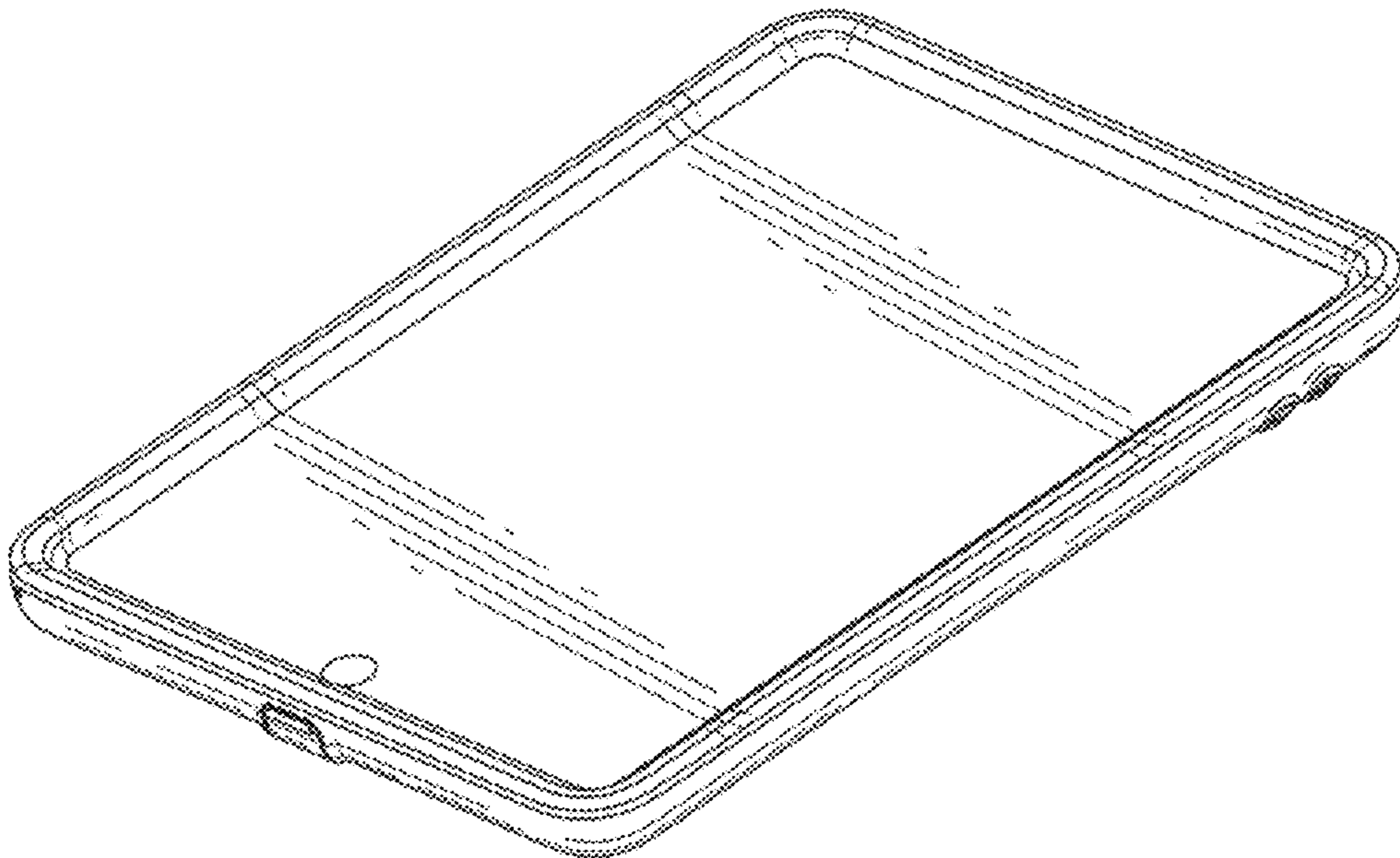


Fig-4

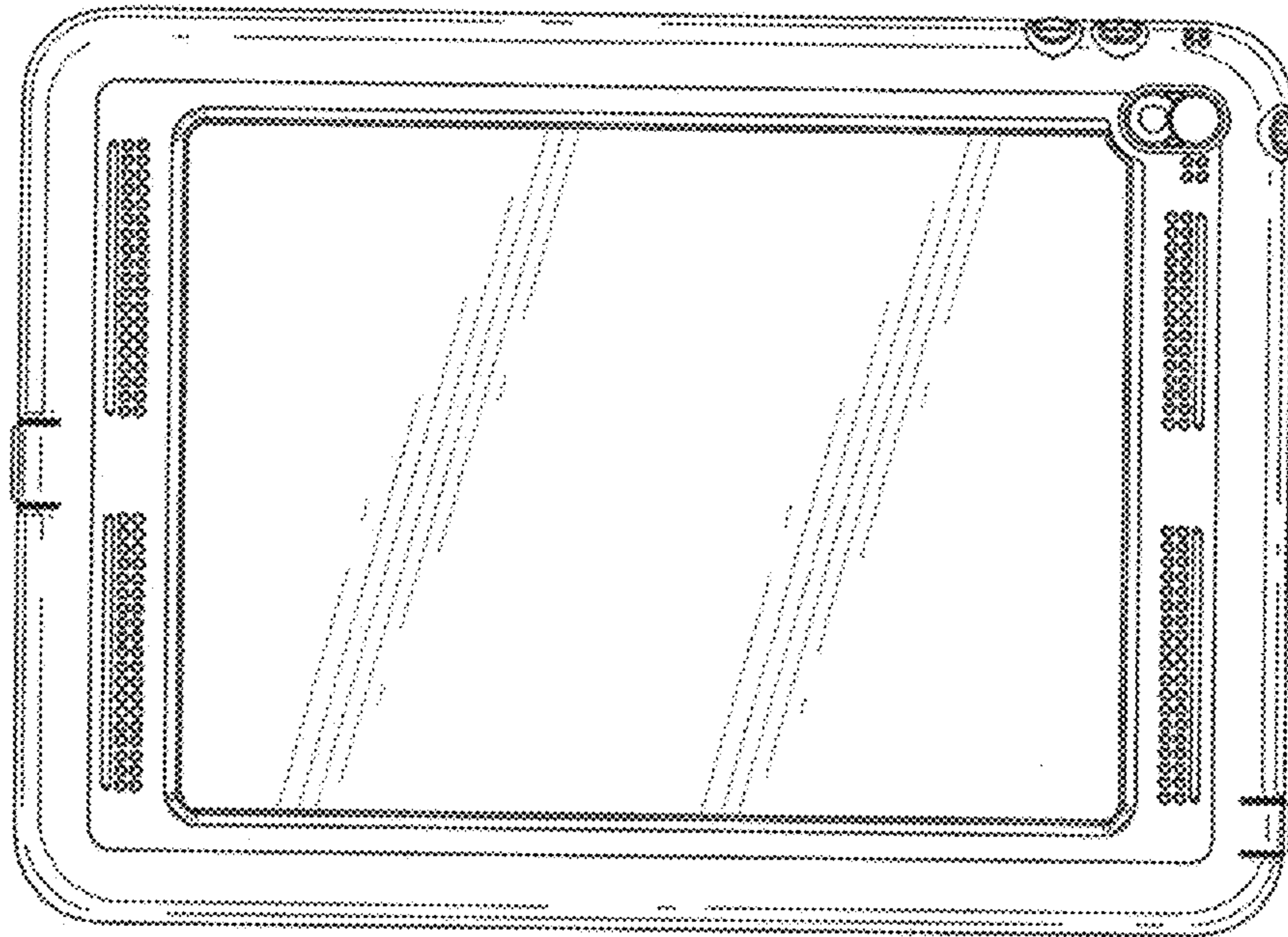


Fig-5

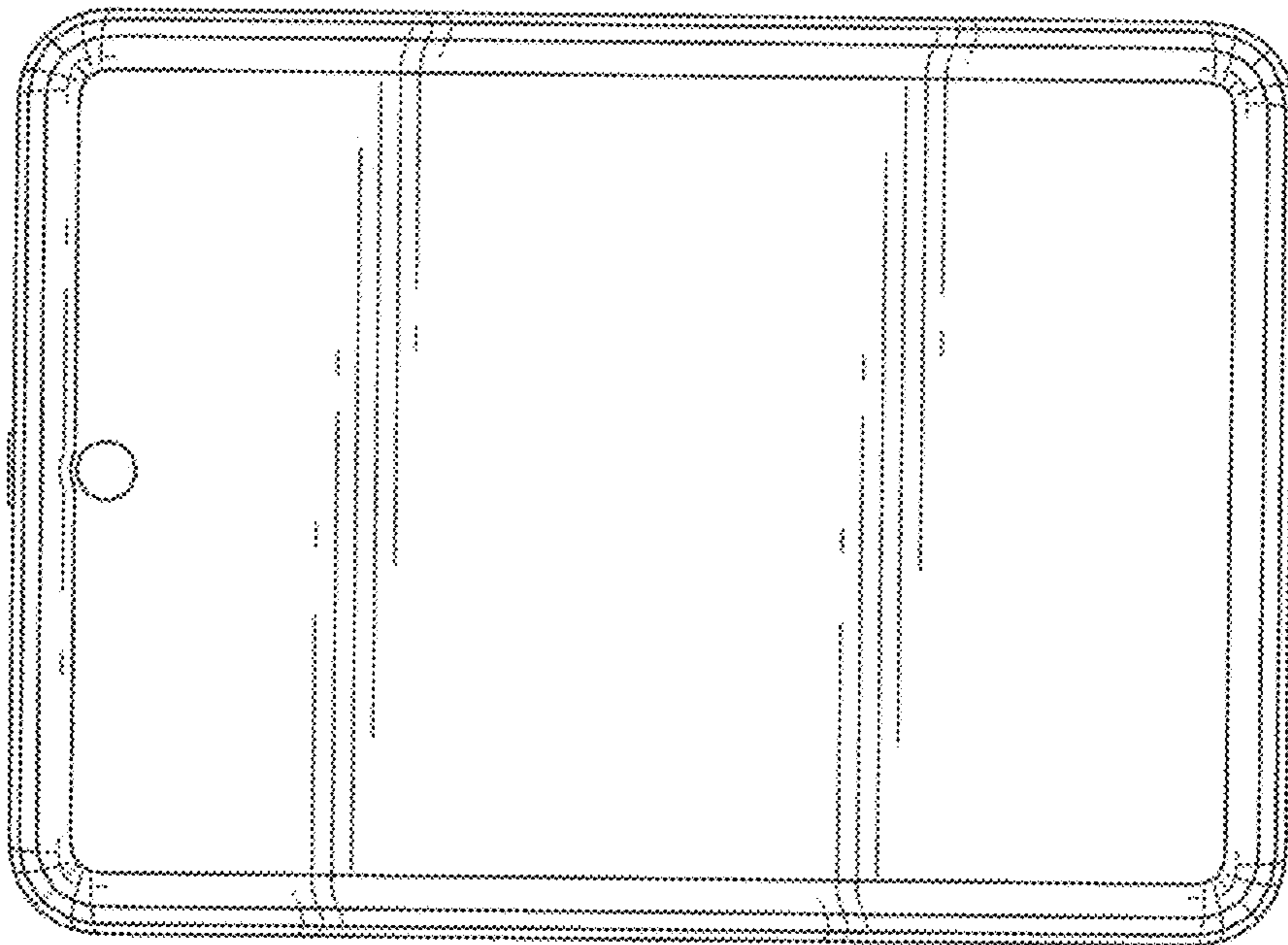


Fig-6

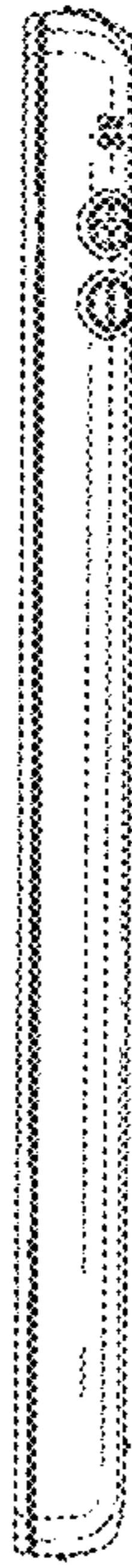


Fig-7

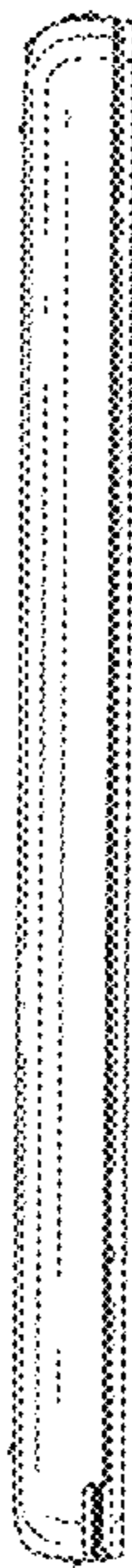


Fig-8

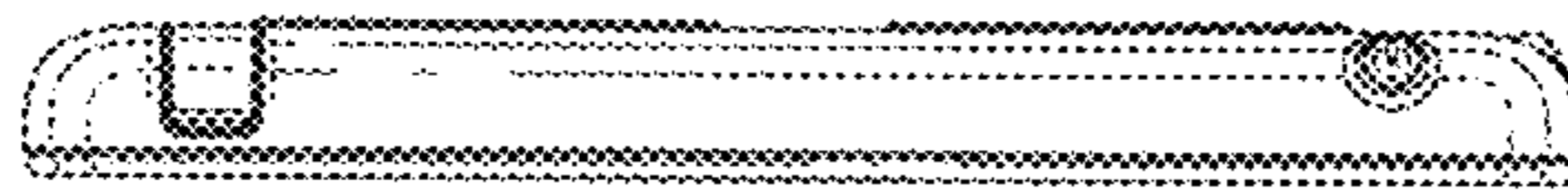


Fig-9



Fig-10