



US00D795263S

(12) **United States Design Patent**
Fujioka et al.

(10) **Patent No.:** **US D795,263 S**

(45) **Date of Patent:** **** Aug. 22, 2017**

(54) **CASE FOR AN ELECTRONIC COMPUTING DEVICE**

(71) Applicant: **Mattel, Inc.**, El Segundo, CA (US)

(72) Inventors: **Robb Fujioka**, Manhattan Beach, CA (US); **Justin Nishiki**, Hawthorne, CA (US)

(73) Assignee: **Mattel, Inc.**, El Segundo, CA (US)

(**) Term: **15 Years**

(21) Appl. No.: **29/532,121**

(22) Filed: **Jul. 1, 2015**

(51) **LOC (10) Cl.** **14-02**

(52) **U.S. Cl.**
USPC **D14/440**

(58) **Field of Classification Search**
USPC D14/238.1, 440, 203.3-203.7, 217, 240, D14/248, 251-253, 447, 496, 250; D3/201, 218, 247, 269, 273, 301, 303; D13/103, 107-108, 119; D21/333
CPC H04B 1/3888; H04M 1/0283; H04M 1/0202; A45C 1/06; A45C 11/00; A45C 13/02; A45C 2011/002; A45F 2005/026; A45F 2200/0525; A45F 2200/0516
See application file for complete search history.

(56) **References Cited**

U.S. PATENT DOCUMENTS

D492,306 S *	6/2004	Martin	D14/346
D542,855 S *	5/2007	Lim	D14/401
D551,847 S *	10/2007	Yeap	D3/201
D600,908 S *	9/2009	Richardson	D3/218
D624,129 S *	9/2010	Lim	D21/333
D632,743 S *	2/2011	Mueller	D21/333
D640,707 S *	6/2011	Yeh	D14/447
D641,354 S *	7/2011	Hsu	D14/341
D643,475 S *	8/2011	Stewart	D21/333
D685,361 S *	7/2013	Goradesky	D14/250

D687,440 S *	8/2013	Shieh	D14/447
D704,194 S *	5/2014	Young	D14/440
D709,510 S *	7/2014	Soare	D14/440
8,774,882 B2 *	7/2014	Tages	H04M 1/0283 455/575.8
D719,144 S *	12/2014	Eulette	D14/250
8,950,582 B2 *	2/2015	Chang	B65D 81/022 206/521

(Continued)

OTHER PUBLICATIONS

Review of Nabi Kids Tablet (with image of detachable tablet cover), published Nov. 22, 2013, URL: <<https://www.youtube.com/watch?v=lesRsV8VYrY>>, retrieved from internet on Jun. 13, 2016.*

Primary Examiner — Carla Jobe Wright

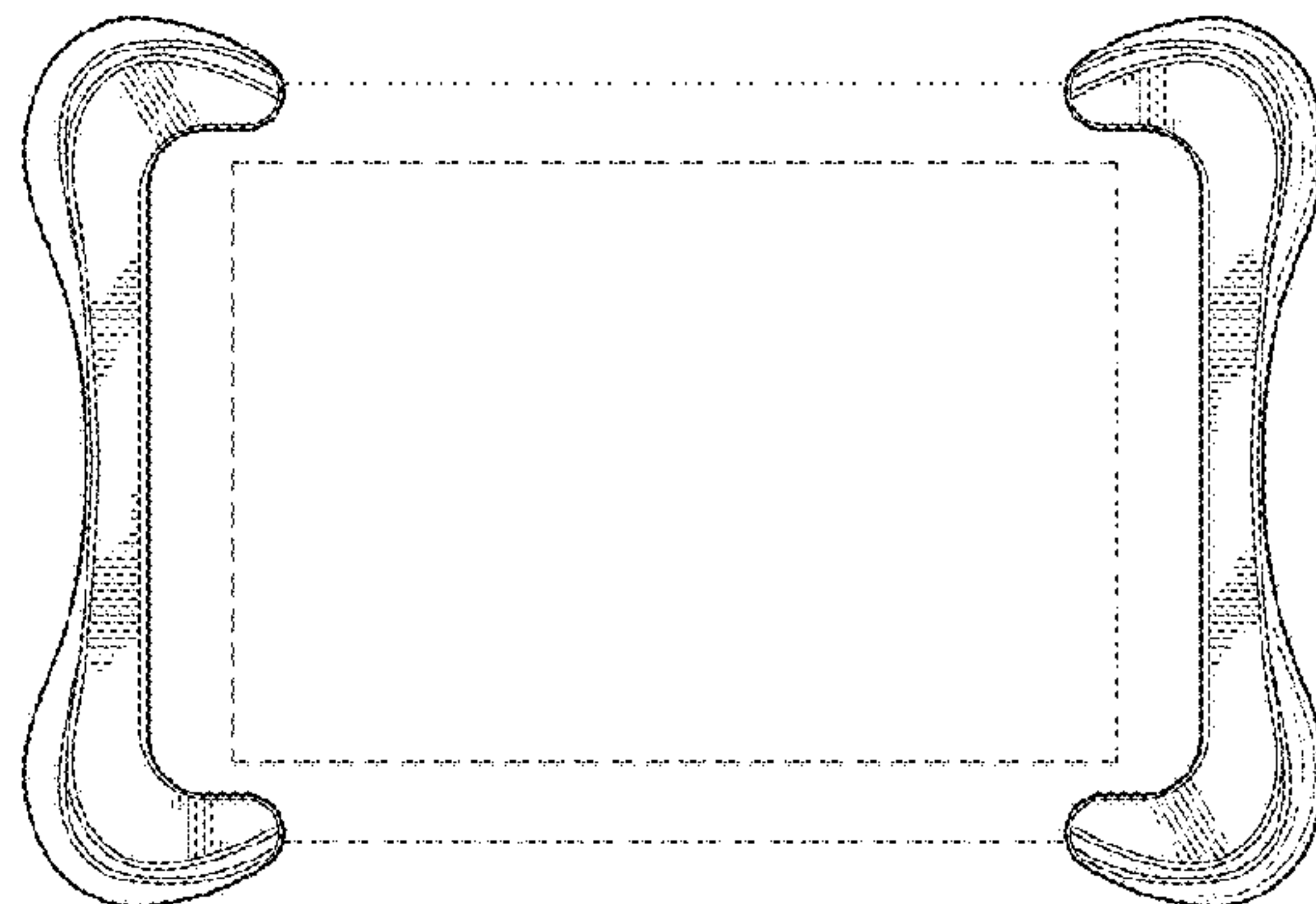
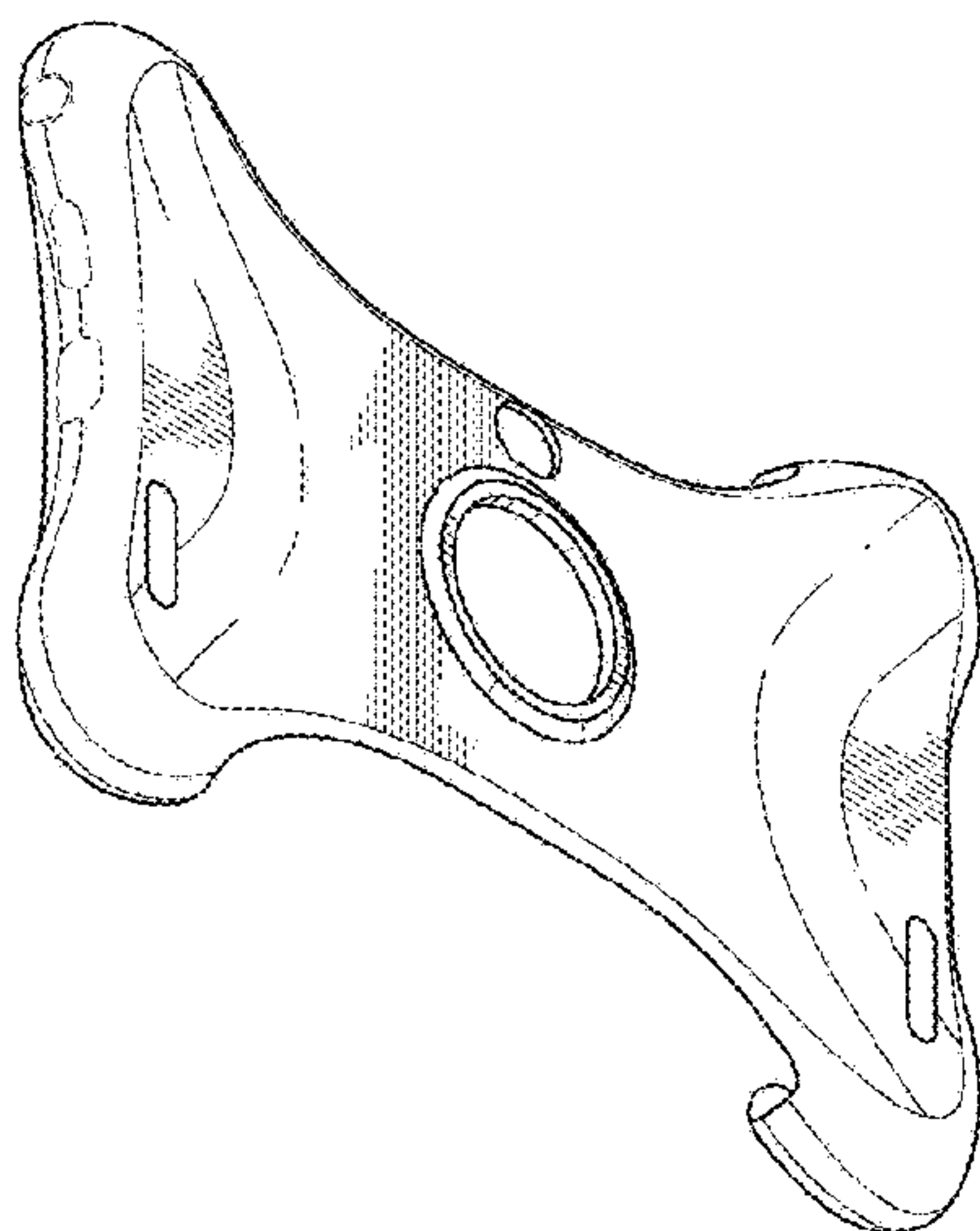
(57) **CLAIM**

We claim the ornamental design for a case for an electronic computing device, as shown and described.

DESCRIPTION

FIG. 1 is a perspective front view of a case for an electronic computing device showing our new design with an environmental electronic computing device;
FIG. 2 is a perspective rear view of the case of FIG. 1 shown without the electronic computing device;
FIG. 3 is a front view of the case of FIG. 1 shown with the environmental electronic computing device;
FIG. 4 is a rear view of the case of FIG. 1 shown without the electronic computing device;
FIG. 5 is a top view thereof;
FIG. 6 is a bottom view thereof;
FIG. 7 is a left side view thereof; and,
FIG. 8 is a right side view thereof.
The broken lines in the drawing figures depict an electronic computing device and portions of the case that form no part of the claimed design.

1 Claim, 3 Drawing Sheets



(56)

References Cited

U.S. PATENT DOCUMENTS

D731,474 S * 6/2015 Leibenhaut D14/253
9,179,558 B1 * 11/2015 Limber H05K 5/0004
D745,524 S * 12/2015 Hung D14/440
9,229,494 B2 * 1/2016 Rayner G06F 1/163
D749,592 S * 2/2016 Huang D14/440
D750,610 S * 3/2016 Chen D14/250
2003/0222149 A1 * 12/2003 Solomon G06F 1/1669
235/472.01
2014/0141846 A1 * 5/2014 Weaver, III H04M 1/035
455/575.1
2015/0156900 A1 * 6/2015 Yeh H04B 1/3888
312/223.1
2016/0135560 A1 * 5/2016 Yeh A45C 11/00
224/581

* cited by examiner

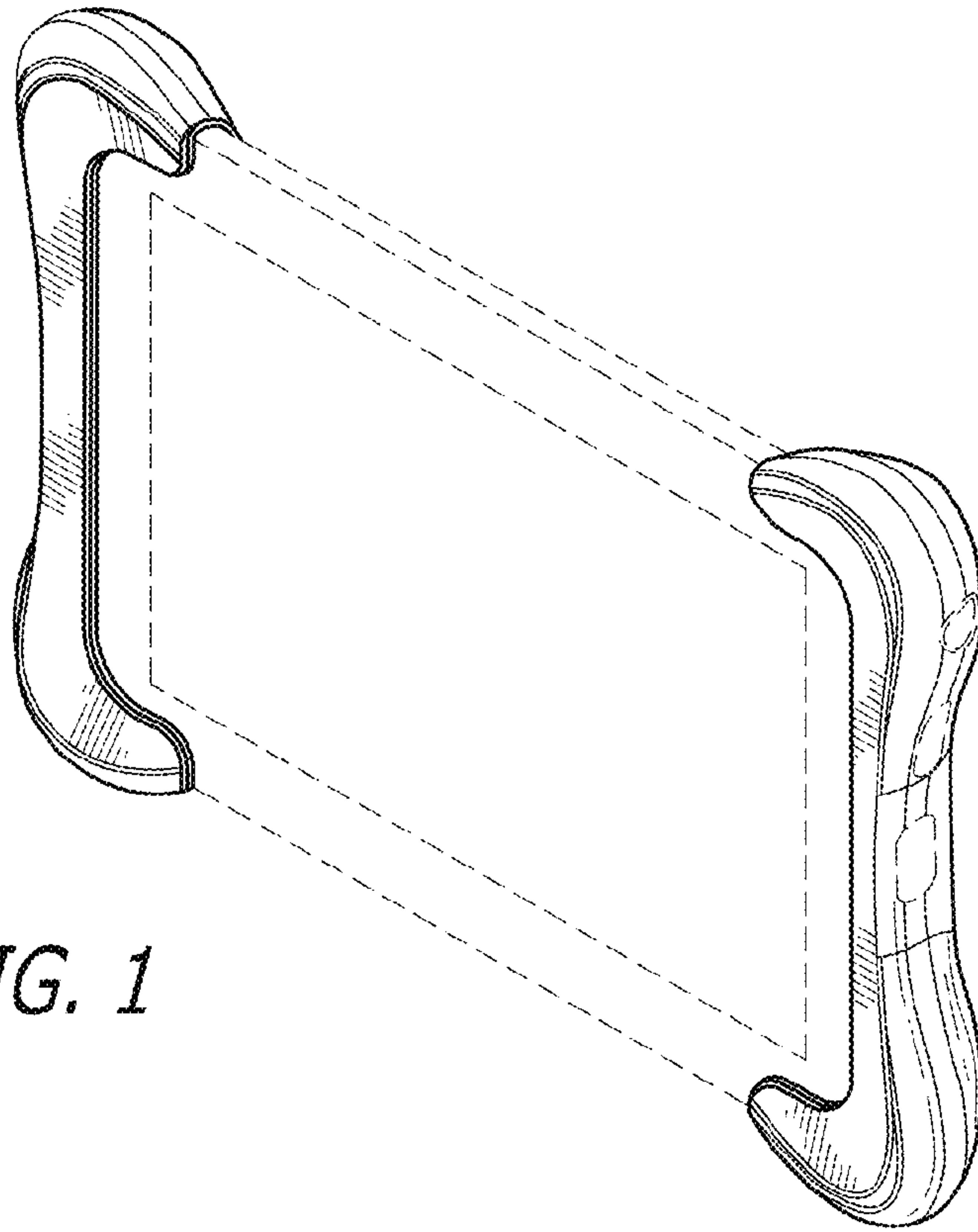


FIG. 1

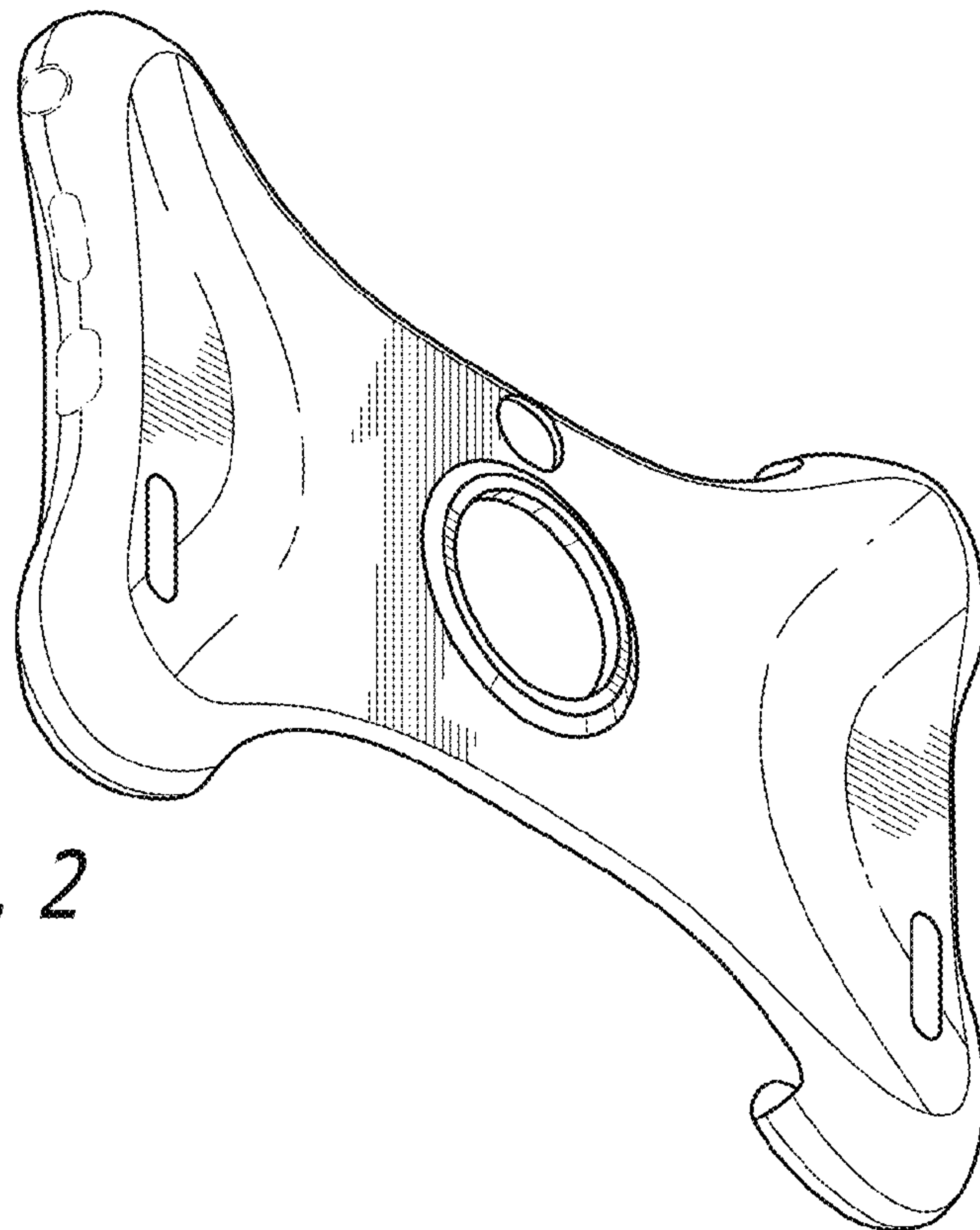


FIG. 2

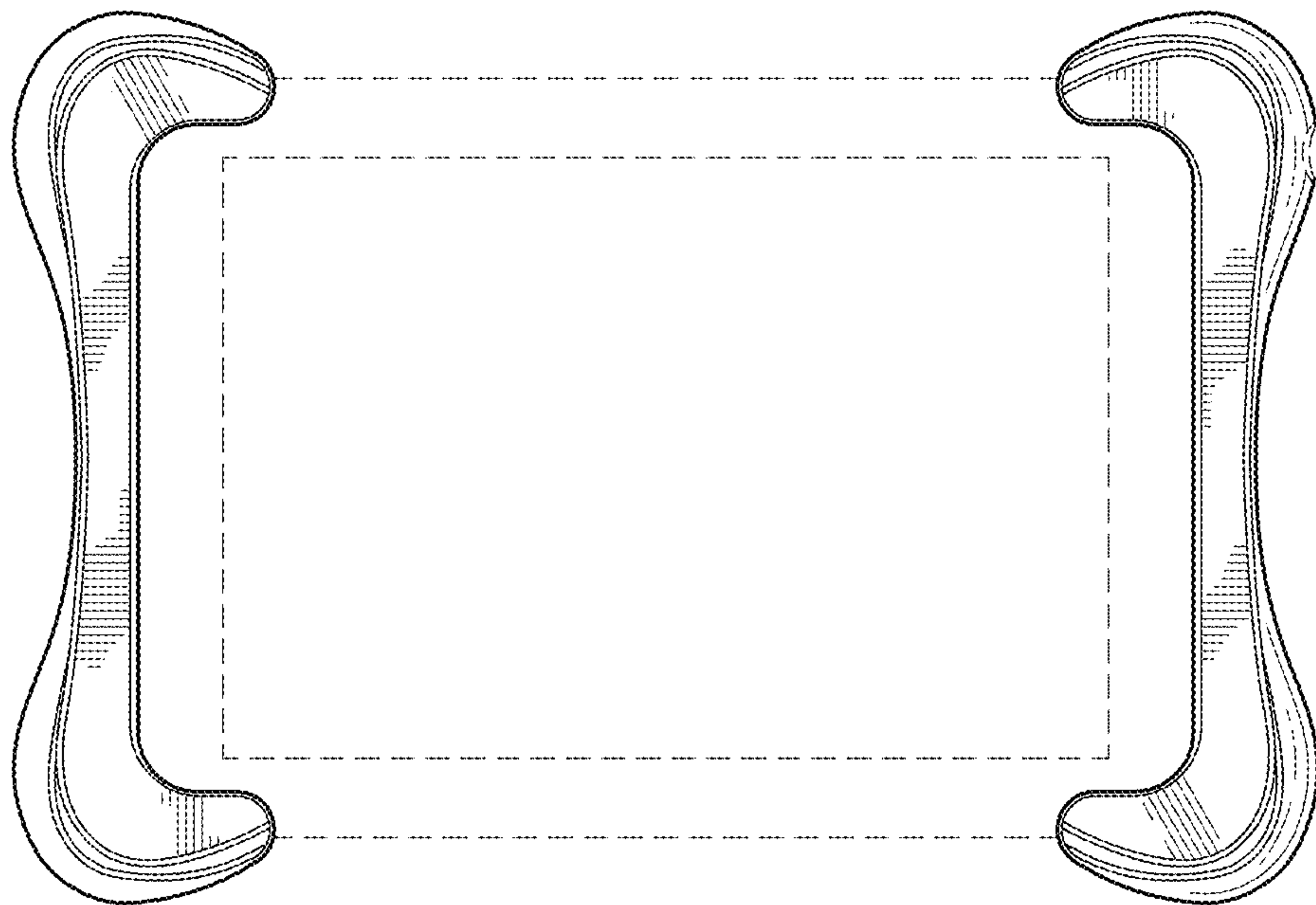


FIG. 3

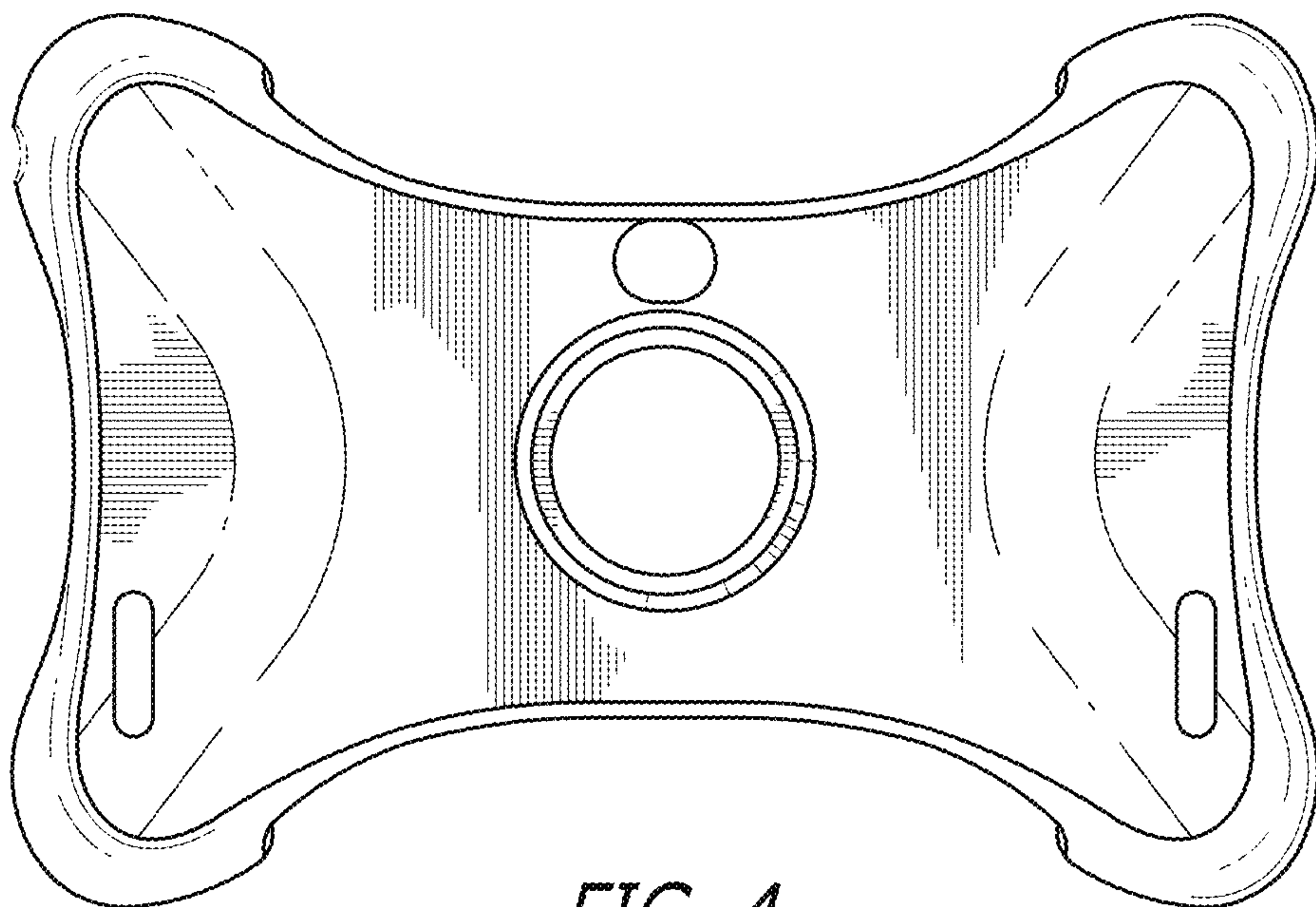


FIG. 4

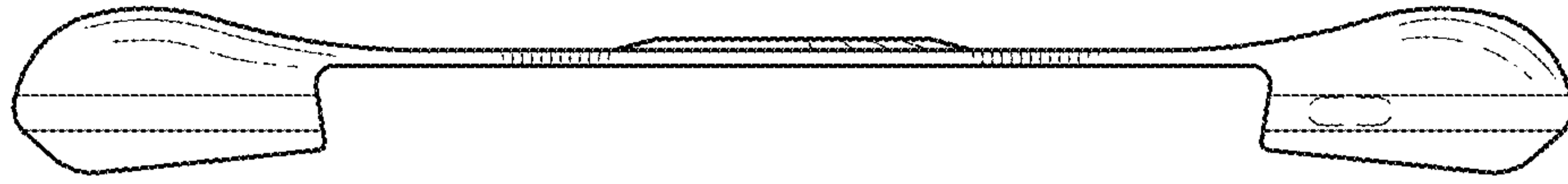


FIG. 5

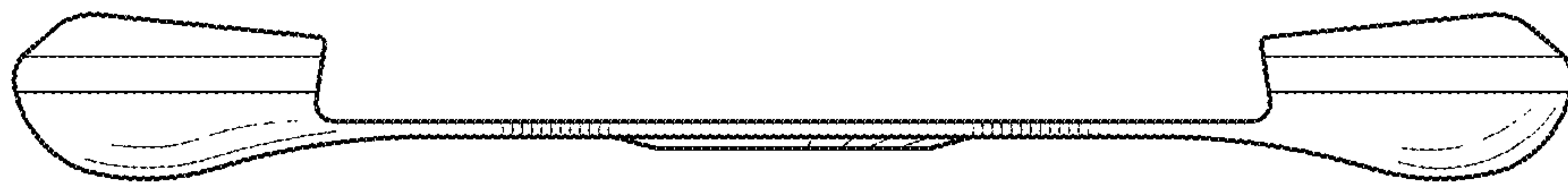


FIG. 6

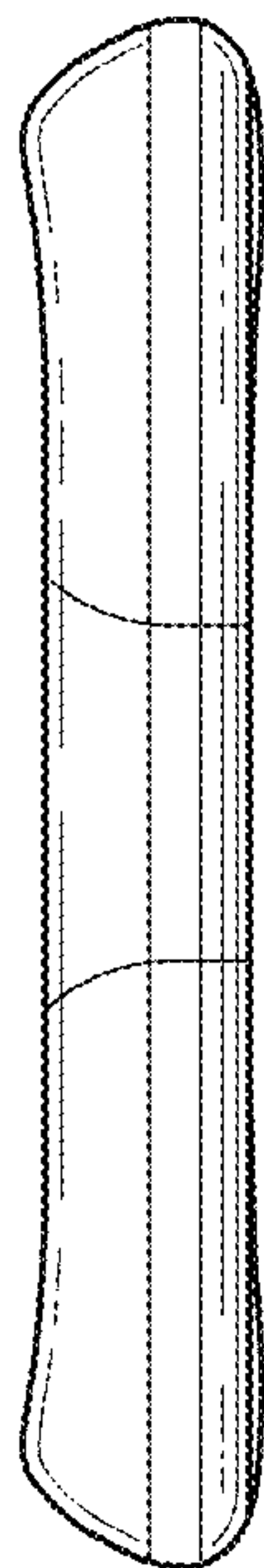


FIG. 7

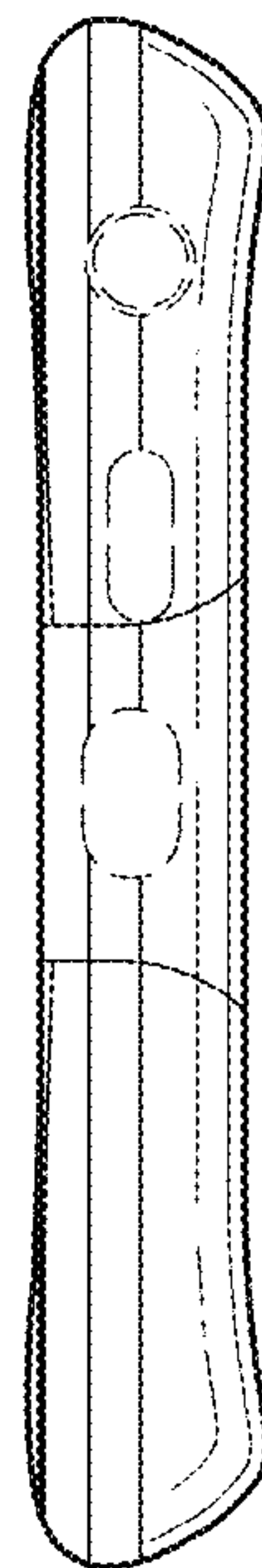


FIG. 8