



US00D795262S

(12) **United States Design Patent**  
**Bang et al.**

(10) **Patent No.:** **US D795,262 S**  
(45) **Date of Patent:** **\*\* Aug. 22, 2017**

(54) **MEMORY DEVICE**

(71) Applicant: **SAMSUNG ELECTRONICS CO., LTD.**, Gyeonggi-do (KR)

(72) Inventors: **Hyo-jae Bang**, Hwaseong-si (KR); **Do-geun Kim**, Seoul (KR); **Hong-kyun Kim**, Seongnam-si (KR); **Young-bok Jeon**, Seoul (KR)

(73) Assignee: **SAMSUNG ELECTRONICS CO., LTD.**, Suwon-si (KR)

(\*\*) Term: **15 Years**

(21) Appl. No.: **29/553,625**

(22) Filed: **Feb. 3, 2016**

**Related U.S. Application Data**

(63) Continuation-in-part of application No. 14/622,328, filed on Feb. 13, 2015, which is a continuation of (Continued)

(51) **LOC (10) Cl.** ..... **14-02**

(52) **U.S. Cl.**  
USPC ..... **D14/436**; D14/435

(58) **Field of Classification Search**  
USPC ..... D14/435-438, 478-480; 235/441, 443, 235/487, 492, 493, 495; 361/737, 679, 361/752, 736, 728, 796, 797, 729, 730, 361/725-727, 785; 257/678, 679, 693, 257/E23.064; 439/946, 948, 159, 76.1, 439/638, 61, 218, 951, 945, 131, 74; 174/250-260, 52.1, 52.2, 68.1, 68.2; 710/300-303, 313-317, 306, 105; 438/121; D13/182; 703/27, 28; 29/832, 29/837, 852; 216/18-21; 711/115, 163, 711/164

CPC ..... G06K 19/06196; G06K 19/072; G06K 19/0721; G06K 19/0722; G06K 19/0723; G06K 19/0724; G06K 19/0725; G06K 19/0726; G06K 19/0727; G06K 19/0728;

G06K 19/073; G06K 19/07309; G06K 19/077; G06K 19/07701; G06K 19/07715; G06K 19/0772; G06K 19/07722; G06K 19/07724; G06K 19/07726; G06K 19/07728; G06K 19/0773; G06K 19/07735; G06K 19/07737; G06K 19/07739; G06K 19/07741; G06K 19/07743; G06K 19/07745; G06K 19/07747; G06K 19/07749; G06K 19/07758; G06K 19/07767; G06K 19/07769; G06K 19/07771; G06K 19/07773; G06K 19/07775; G06K 19/083; G06K 19/086; G06K 19/145; G06K 19/18; G06K (Continued)

(56) **References Cited**

U.S. PATENT DOCUMENTS

3,576,722 A \* 4/1971 Fennimore ..... C04B 41/009  
174/256  
3,726,645 A \* 4/1973 Kaczmarek ..... B65D 75/26  
206/524.8

(Continued)

*Primary Examiner* — Susan Moon Lee

(74) *Attorney, Agent, or Firm* — Sughrue Mion, PLLC

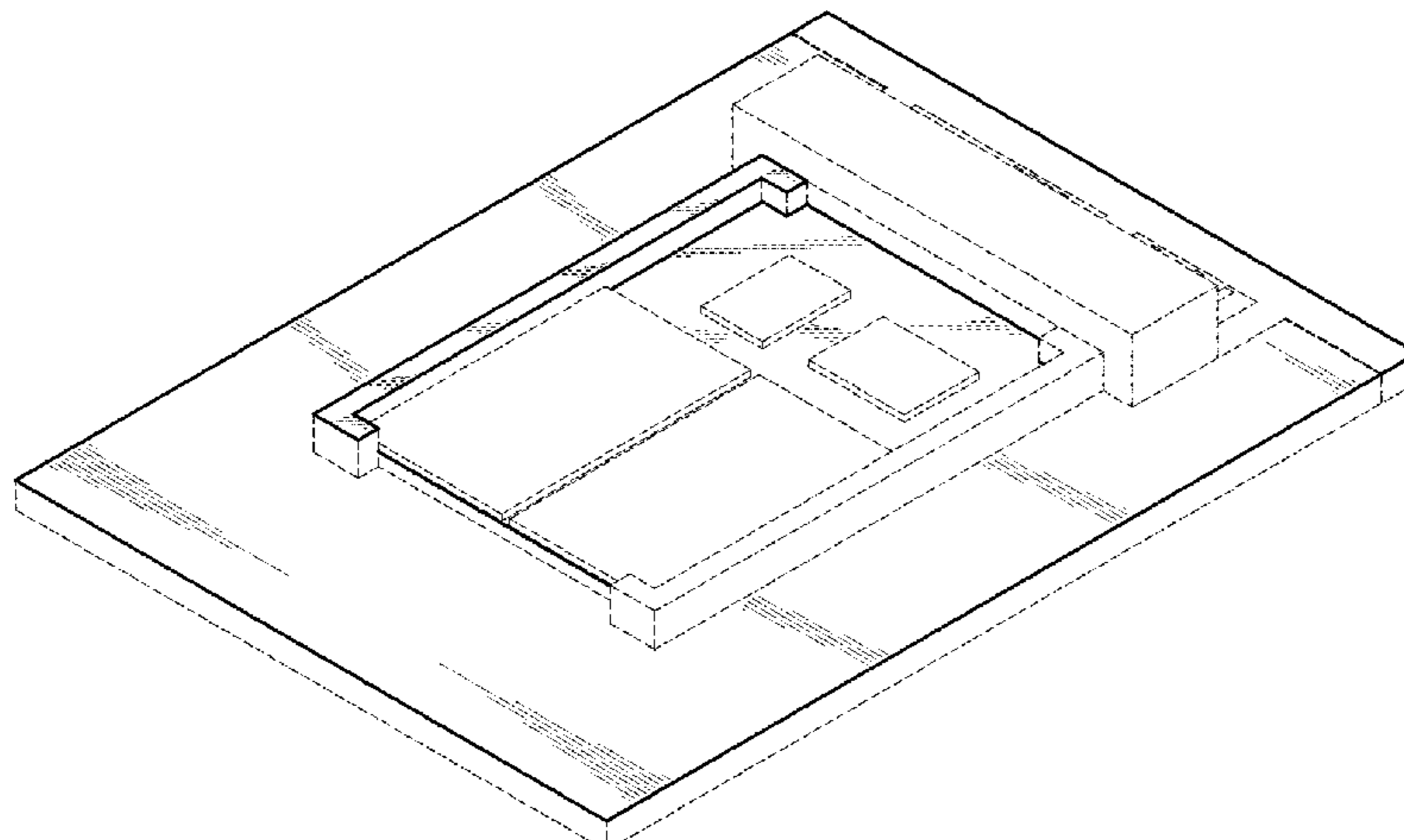
(57) **CLAIM**

The ornamental design for a memory device, as shown and described.

**DESCRIPTION**

FIG. 1 is a perspective view of a memory device showing our new design; and, FIG. 2 is a top plan view thereof. The broken lines and unshaded portions contained within broken lines throughout the drawings, depict exemplary parts of the memory device that are shown for illustrative purposes only, and do not form part of the design claim.

**1 Claim, 2 Drawing Sheets**



**Related U.S. Application Data**

application No. 13/678,115, filed on Nov. 15, 2012, now Pat. No. 8,982,567, which is a continuation of application No. 12/349,678, filed on Jan. 7, 2009, now abandoned.

(58) **Field of Classification Search**

CPC ..... 19/07733; G06K 19/07732; G06K 2215/0022; G06K 2215/0025; G06K 2215/0028; G06K 2215/0031; G06K 2215/004; G06K 2215/0082; G06F 21/76-21/80; G06F 21/85-21/88; G06F 21/00; G06F 13/409; G06Q 20/3229; G06Q 20/34; G06Q 20/341; G06Q 20/346; G06Q 20/349; G06Q 20/3563; G06Q 20/3567; G06Q 20/357; G06Q 20/3576; H05K 5/026; H05K 5/0256; H05K 5/0265; H05K 5/0269; H05K 5/0273; H05K 5/0278; H05K 5/0282; H05K 5/0286; H05K 5/0291; H05K 5/0295; H05K 5/03; H05K 5/04; H05K 5/06; H05K 5/061; H05K 5/062; H05K 5/063; H05K 5/064; H05K 5/065; H05K 5/066; H05K 5/067; H05K 5/068; H05K 5/069; H05K 7/00; H05K 7/005; H05K 7/02; H05K 7/023; H05K 7/026; H05K 7/04; H05K 7/10; H05K 7/1418; H05K 7/142; H05K 7/1424; H05K 7/1427-7/1439; H05K 7/1461-7/1479; H05K 7/1481; H05K 7/1485-7/1488; H05K 2201/09745; H05K 2201/09754; H05K 2201/09763; H05K 2201/09772; H05K 2201/098; H05K 2201/09818; H05K 2201/10; H05K 2201/10007; H05K 2201/10098; H05K 2201/10143; H05K 2201/10159; H05K 2201/10174; H05K 2201/10212; H05K 2201/1028; H05K 2201/1031; H05K 2201/10431; H05K 2201/22; H05K 2201/140462; H05K 2201/10545; H05K 2201/10553; H05K 2201/1056; H05K 2201/10621; H05K 2201/10636; H05K 2203/05; H05K 3/368; H05K 3/3436; H05K 3/36; H05K 3/40; H05K 3/4007; H05K 3/4015; H05K 3/403; H05K 3/4053; H05K 3/4092; H05K 3/42; H05K 3/421; H05K 3/46; H05K 1/14; H05K 1/141; H05K 1/142; H05K 1/144; H05K 1/145; H05K 2201/09781; H05K 2201/0979; H05K 2201/09809; H05K 3/00; H05K 3/0008; H05K 3/0011; H05K 1/18; H05K 1/181-1/189; H04N 2201/216; H01R 27/02; H01R 12/714-12/737; H01R 35/04; Y10S 439/943-439/948; Y10S 439/95; Y10S 439/954; Y10S 439/957

See application file for complete search history.

(56) **References Cited**

U.S. PATENT DOCUMENTS

4,031,371 A \* 6/1977 DeVries ..... H05K 3/222  
174/253  
4,118,859 A \* 10/1978 Busler ..... H01H 11/00  
206/716  
D254,687 S \* 4/1980 Fadler ..... D13/182

4,234,666 A \* 11/1980 Gursky ..... H01L 23/49565  
174/539  
D270,346 S \* 8/1983 Smith ..... D13/182  
D271,197 S \* 11/1983 Jones ..... D13/147  
D275,279 S \* 8/1984 Littlefield ..... D13/147  
4,471,158 A \* 9/1984 Roberts ..... H05K 1/0287  
174/541  
D281,234 S \* 11/1985 Groetzner ..... D10/75  
4,599,680 A \* 7/1986 Gibson ..... B64G 1/50  
257/713  
D288,803 S \* 3/1987 Capawana ..... D13/182  
4,681,712 A \* 7/1987 Sakakibara ..... B29C 37/0032  
264/104  
4,798,946 A \* 1/1989 Fujii ..... B29C 65/48  
235/487  
4,809,054 A \* 2/1989 Waldner ..... H01L 23/49503  
174/536  
4,840,570 A \* 6/1989 Mann, Jr. .... H01R 12/7005  
361/787  
4,849,944 A \* 7/1989 Matsushita ..... G11O 5/143  
361/212  
4,869,680 A \* 9/1989 Yamamoto ..... H01R 12/7005  
211/41.17  
4,890,832 A \* 1/1990 Komaki ..... G06F 15/0225  
235/146  
4,908,738 A \* 3/1990 Kobari ..... H02M 7/003  
361/757  
4,914,552 A \* 4/1990 Kecmer ..... H05K 7/1404  
211/41.17  
4,916,575 A \* 4/1990 Van Asten ..... H05K 7/20545  
165/185  
4,924,076 A \* 5/1990 Kitamura ..... G06K 19/07743  
235/487  
4,979,075 A \* 12/1990 Murphy ..... G06F 1/184  
29/830  
5,016,086 A \* 5/1991 Inoue ..... G06K 19/07743  
174/541  
5,031,076 A \* 7/1991 Kiku ..... H05K 9/0067  
361/725  
5,038,250 A \* 8/1991 Uenaka ..... G06K 19/077  
235/492  
5,054,120 A \* 10/1991 Ushiyama ..... G08B 3/1016  
343/718  
5,060,112 A \* 10/1991 Cocconi ..... H05K 7/209  
165/185  
5,061,845 A \* 10/1991 Pinnavaia ..... H05K 5/0269  
235/487  
5,079,559 A \* 1/1992 Umetsu ..... H01Q 1/243  
343/702  
5,115,299 A \* 5/1992 Wright ..... G11C 16/18  
174/564  
5,144,533 A \* 9/1992 Annett ..... H05K 7/1417  
312/223.1  
5,150,282 A \* 9/1992 Tomura ..... H04B 1/3833  
174/367  
5,153,818 A \* 10/1992 Mukougawa ..... H05K 5/026  
361/679.32  
5,161,169 A \* 11/1992 Galano ..... G06F 1/18  
361/679.31  
5,184,282 A \* 2/1993 Kaneda ..... G06F 13/409  
235/495  
5,207,586 A \* 5/1993 MacGregor ..... H01R 13/6658  
439/76.1  
5,287,009 A \* 2/1994 Heung ..... G06F 1/20  
307/141  
D344,729 S \* 3/1994 Mueller ..... D14/194  
5,299,940 A \* 4/1994 Uenaka ..... H05K 5/0269  
235/492  
5,303,123 A \* 4/1994 Chandler ..... H01R 9/0503  
174/135  
5,313,364 A \* 5/1994 Omori ..... G06K 19/07743  
174/260  
5,347,160 A \* 9/1994 Sutrina ..... H01L 24/72  
257/678  
D351,913 S \* 10/1994 Hieb ..... D24/169  
D352,701 S \* 11/1994 Evans ..... D13/182

(56)

References Cited

U.S. PATENT DOCUMENTS

5,365,403	A *	11/1994	Vinciarelli	.....	H01L 24/49	257/E25.016
5,375,040	A *	12/1994	Cooper	.....	H05K 7/142	361/730
5,379,439	A *	1/1995	Harrison	.....	G06F 3/0601	360/72.1
5,381,304	A *	1/1995	Theroux	.....	H05K 7/1417	174/521
5,384,691	A *	1/1995	Neugebauer	.....	H01L 23/50	257/700
5,388,691	A *	2/1995	White	.....	A45C 11/00	206/305
D356,291	S *	3/1995	Kawamura	.....	D13/110	
5,418,688	A *	5/1995	Hertz	.....	G06K 19/077	174/260
5,428,885	A *	7/1995	Takaya	.....	H01L 23/49531	156/89.28
5,440,755	A *	8/1995	Harwer	.....	H05K 1/14	710/105
5,477,421	A *	12/1995	Bethurum	.....	H05K 5/0269	235/380
5,477,426	A *	12/1995	Bethurum	.....	G06K 19/077	235/380
5,493,477	A *	2/1996	Hirai	.....	G06K 19/077	174/17 R
5,502,892	A *	4/1996	Lien	.....	H05K 5/0269	174/520
5,510,959	A *	4/1996	Derstine	.....	H05K 5/0273	174/358
5,529,503	A *	6/1996	Kerklaan	.....	G06K 19/077	174/656
5,547,397	A *	8/1996	Hirai	.....	G06K 19/077	439/607.01
5,548,483	A *	8/1996	Feldman	.....	H05K 5/0269	235/88 R
5,550,709	A *	8/1996	Iwasaki	.....	G06K 7/0021	235/492
D374,866	S *	10/1996	Johnston	.....	D13/182	
5,563,771	A *	10/1996	Bethurum	.....	G06K 19/077	257/679
5,565,704	A *	10/1996	Tokuno	.....	H01L 23/5388	257/678
5,574,628	A *	11/1996	Persia	.....	H05K 5/0269	257/679
5,659,459	A *	8/1997	Wakabayashi	.....	B41J 29/377	174/51
5,667,388	A *	9/1997	Cottrell	.....	G06F 1/183	439/74
5,673,181	A *	9/1997	Hsu	.....	H05K 5/0269	361/679.4
5,689,405	A *	11/1997	Bethurum	.....	H05K 5/0269	361/737
5,692,910	A *	12/1997	Mittal	.....	H05K 1/117	439/59
5,748,912	A *	5/1998	Lee	.....	G06F 1/1616	703/27
D397,092	S *	8/1998	Sano	.....	D13/182	
D397,093	S *	8/1998	Kim	.....	D13/182	
5,835,350	A *	11/1998	Stevens	.....	H02M 3/00	165/80.2
5,838,546	A *	11/1998	Miyoshi	.....	H01L 23/49572	174/254
5,843,380	A *	12/1998	Staples	.....	B01L 3/502	422/552
5,864,463	A *	1/1999	Tsukada	.....	G06F 1/16	361/679.32
5,889,660	A *	3/1999	Taranowski	.....	H01F 27/2804	315/219
5,894,408	A *	4/1999	Stark	.....	H05K 7/1431	165/185
5,900,582	A *	5/1999	Tomita	.....	H01L 21/565	174/529
5,905,639	A *	5/1999	Warren	.....	H01L 23/5385	257/E23.172
5,912,806	A *	6/1999	Onoda	.....	G06K 19/077	361/737
5,956,601	A *	9/1999	Sato	.....	G06K 19/07745	257/E23.125
5,973,399	A *	10/1999	Stark	.....	H05K 7/1431	257/678
5,990,776	A *	11/1999	Jitaru	.....	H01F 27/2804	336/200
6,007,359	A *	12/1999	Kosmala	.....	H01R 23/70	439/329
6,008,994	A *	12/1999	Bates	.....	H05K 5/0269	361/728
6,028,771	A *	2/2000	Wong	.....	H05K 5/0013	361/704
6,031,718	A *	2/2000	Suzuki	.....	G06F 1/203	361/695
6,043,983	A *	3/2000	Taylor	.....	H05K 9/0033	174/351
6,046,918	A *	4/2000	Jitaru	.....	H01F 27/06	363/93
6,060,332	A *	5/2000	Martin	.....	G06K 19/0728	257/679
6,076,142	A *	6/2000	Corrington	.....	G06F 1/184	710/306
6,089,919	A *	7/2000	Nishioka	.....	G06K 7/0021	439/630
6,091,137	A *	7/2000	Fukuda	.....	H01L 23/13	257/679
6,091,604	A *	7/2000	Plougsgaard	.....	H02M 7/003	165/185
6,097,605	A *	8/2000	Klatt	.....	G06F 1/183	361/737
D430,856	S *	9/2000	Wilkerson	.....	D13/182	
RE36,968	E *	11/2000	Shieh	.....	G06F 1/184	361/679.31
6,144,557	A *	11/2000	Chen	.....	H05K 1/141	174/548
6,152,779	A *	11/2000	Madsen	.....	H01R 13/65802	439/676
6,157,538	A *	12/2000	Ali	.....	H05K 7/20445	165/185
6,181,564	B1 *	1/2001	Furusho	.....	H05K 5/0269	235/492
6,185,101	B1 *	2/2001	Itabashi	.....	H01L 23/3675	361/704
6,189,203	B1 *	2/2001	Heinrich	.....	H05K 1/141	29/602.1
6,201,701	B1 *	3/2001	Linden	.....	H05K 1/0206	174/252
6,208,516	B1 *	3/2001	Fangonilo	.....	H01L 23/4093	165/185
6,220,873	B1 *	4/2001	Samela	.....	H01R 12/721	439/76.1
6,231,363	B1 *	5/2001	Kosmala	.....	H01R 24/62	439/260
6,232,562	B1 *	5/2001	Kikuchi	.....	H05K 1/0218	174/255
6,233,153	B1 *	5/2001	Baur	.....	H05K 5/006	361/752
6,234,842	B1 *	5/2001	Keay	.....	H01R 4/646	361/707
6,241,534	B1 *	6/2001	Neer	.....	H01R 31/06	439/76.1
6,251,219	B1 *	6/2001	Chen	.....	H01L 21/52	156/299
6,257,902	B1 *	7/2001	Shieh	.....	H01R 27/02	361/679.32
6,264,506	B1 *	7/2001	Yasufuku	.....	G06K 7/0021	439/638
6,266,724	B1 *	7/2001	Harari	.....	G06F 13/4068	710/13
6,268,999	B1 *	7/2001	TG	.....	G06K 19/077	361/679.02

(56)

## References Cited

## U.S. PATENT DOCUMENTS

6,272,021 B1 *	8/2001	Nagamine	H01R 12/721 361/736	6,643,135 B2 *	11/2003	Tomioaka	H05K 1/141 361/719
6,282,097 B1 *	8/2001	Minelli	G11B 33/08 361/728	6,676,420 B1 *	1/2004	Liu	H01R 35/04 439/131
6,295,031 B1 *	9/2001	Wallace	H05K 1/0218 235/488	6,704,204 B1 *	3/2004	Eskildsen	H01L 23/32 361/737
6,307,753 B1 *	10/2001	Baginy	H05K 3/3405 361/737	6,704,832 B1 *	3/2004	Ng	G06F 13/409 361/679.4
6,313,400 B1 *	11/2001	Mosquera	H05K 5/026 174/363	6,738,260 B2 *	5/2004	Sivertsen	H05K 5/0291 361/679.4
6,317,324 B1 *	11/2001	Chen	H05K 7/20454 165/185	6,757,174 B2 *	6/2004	Nagai	H01F 27/2804 336/200
6,320,748 B1 *	11/2001	Roden	H01L 23/367 165/185	6,760,228 B1 *	7/2004	Chi	H05K 7/1415 235/492
6,341,729 B1 *	1/2002	Lee	G06K 19/07743 235/492	6,773,280 B2 *	8/2004	Sasaki	G06K 13/0825 439/159
6,342,766 B1 *	1/2002	Cook	H05B 41/00 315/32	6,778,401 B1 *	8/2004	Yu	G06K 19/07732 361/736
6,356,182 B1 *	3/2002	Nagashima	H01F 27/2804 336/200	6,781,846 B1 *	8/2004	Suzuki	G06F 1/203 361/737
6,359,542 B1 *	3/2002	Widmayer	H01F 27/266 336/210	6,808,423 B2 *	10/2004	Lin	H01R 27/02 439/630
D459,706 S *	7/2002	Ebihara	D13/182	6,808,424 B2 *	10/2004	Kaneshiro	G06K 7/0021 439/630
6,413,109 B1 *	7/2002	Kobayashi	H01R 12/83 439/326	6,817,523 B2 *	11/2004	Chen	G06K 19/07741 235/441
6,418,030 B1 *	7/2002	Yamaguchi	H01L 23/24 257/698	6,817,875 B2 *	11/2004	Chang	H01R 12/721 439/101
6,424,542 B1 *	7/2002	Benson	G06K 13/08 361/759	6,854,984 B1 *	2/2005	Lee	G06K 19/07732 439/607.41
6,434,498 B1 *	8/2002	Ulrich	G11B 5/012 702/115	D505,925 S *	6/2005	Koo	D13/182
6,449,163 B1 *	9/2002	Stark	H05K 7/1431 361/704	6,932,623 B2 *	8/2005	Lai	H01R 31/065 439/630
6,466,454 B1 *	10/2002	Jitaru	H01F 27/06 336/200	6,934,150 B2 *	8/2005	Kitchen	G06F 1/183 361/679.33
6,487,082 B1 *	11/2002	Crapisi	H05K 1/18 174/260	6,945,465 B2 *	9/2005	Nishizawa	G06K 19/07732 235/492
6,492,598 B1 *	12/2002	Klein	H05K 3/225 174/250	7,008,240 B1 *	3/2006	Wang	H05K 5/0217 361/737
6,501,163 B1 *	12/2002	Utsumi	G06K 19/07732 257/678	7,052,295 B1 *	5/2006	Lin	H01R 31/06 439/159
6,504,710 B2 *	1/2003	Sutton	B60R 11/0252 312/223.1	7,095,615 B2 *	8/2006	Nichols	H05K 3/284 361/704
6,505,665 B1 *	1/2003	Ulmer	H01L 24/27 156/382	7,112,074 B2 *	9/2006	Nakai	G06K 19/077 439/159
6,515,871 B1 *	2/2003	Stark	H05K 5/026 174/365	7,118,281 B2 *	10/2006	Chiu	G02B 6/3893 385/53
6,517,358 B2 *	2/2003	DeBlanc	G06F 1/184 307/23	7,125,258 B2 *	10/2006	Nakakubo	G06K 19/07741 439/328
6,524,137 B1 *	2/2003	Liu	G06K 19/077 439/638	7,132,921 B2 *	11/2006	Eguchi	H01F 27/2804 336/200
D471,524 S *	3/2003	Ebihara	D13/182	7,147,685 B2 *	12/2006	Lee	B01D 46/0005 55/467
6,538,331 B2 *	3/2003	Masuda	B82Y 10/00 257/676	7,162,547 B2 *	1/2007	Hosaka	G06K 19/077 710/62
6,542,358 B1 *	4/2003	Kunz	H05K 5/0273 361/679.4	7,173,826 B1 *	2/2007	Chiou	H05K 5/0269 361/715
6,573,567 B1 *	6/2003	Nishizawa	G06K 19/07 257/358	7,210,967 B1 *	5/2007	Lee	G06K 19/07743 439/630
6,585,534 B2 *	7/2003	Llapitan	H01L 23/4093 257/E23.086	7,248,464 B1 *	7/2007	Chiang	G06F 1/181 312/111
6,588,871 B2 *	7/2003	Studholme	B41J 2/17503 347/19	7,249,975 B1 *	7/2007	Liu	H01R 31/06 439/630
6,608,545 B2 *	8/2003	Fricke	H01F 27/2804 336/200	7,253,365 B2 *	8/2007	Crane, Jr.	G02F 1/13452 174/551
6,614,661 B2 *	9/2003	Gottswinter	H05K 9/0022 361/742	7,292,459 B2 *	11/2007	Wang	H05K 9/0032 174/352
6,621,400 B2 *	9/2003	Horie	H01F 17/0013 336/200	7,295,430 B2 *	11/2007	Ohtaki	H04B 1/3822 206/305
6,632,097 B2 *	10/2003	Chang	G06K 19/077 439/607.22	7,322,531 B2 *	1/2008	Osawa	B29C 45/14647 235/487
6,633,935 B1 *	10/2003	Chan	G06F 13/4086 710/100	RE40,150 E *	3/2008	Ishibashi	G02B 6/4246 361/785
				7,357,677 B2 *	4/2008	Liu	G06K 13/08 439/159

(56)

References Cited

U.S. PATENT DOCUMENTS

7,365,426	B2 *	4/2008	Naka	H01L 21/563 257/723	2002/0038405	A1 *	3/2002	Leddige	G06F 13/4256 711/115
7,387,517	B2 *	6/2008	Kusuda	G02B 6/4284 439/541.5	2002/0045829	A1 *	4/2002	Nakamura	A61B 5/02438 600/454
7,394,661	B2 *	7/2008	Wang	H05K 1/182 174/50.52	2002/0147882	A1 *	10/2002	Pua	G06F 3/0607 711/103
7,410,376	B2 *	8/2008	Ying	H01R 13/2442 439/159	2002/0159240	A1 *	10/2002	Watanabe	B65D 5/509 361/752
7,425,157	B1 *	9/2008	Hung	G06K 19/07741 439/630	2003/0227075	A1 *	12/2003	Kanemoto	G06K 19/077 257/666
7,427,032	B2 *	9/2008	Osako	G06K 19/07739 235/380	2003/0235040	A1 *	12/2003	Liu	G06K 7/0021 361/737
7,453,706	B2 *	11/2008	Clark	H04Q 1/03 361/790	2004/0034731	A1 *	2/2004	Sivertsen	G06F 13/409 710/306
7,477,528	B2 *	1/2009	Kim	H05K 5/02 361/752	2004/0040871	A1 *	3/2004	Kakinoki	H05K 5/0256 206/307
7,485,491	B1 *	2/2009	Miks	H01L 21/561 257/679	2004/0064638	A1 *	4/2004	Chong, Jr.	G06F 11/2089 711/114
7,507,098	B1 *	3/2009	Hung	H01R 13/633 439/159	2004/0160376	A1 *	8/2004	Hornsby	H04B 7/15571 343/770
7,517,252	B2 *	4/2009	Ni	H05K 5/0256 439/630	2004/0195969	A1 *	10/2004	Kim	H05K 5/02 313/583
7,649,742	B2 *	1/2010	Ni	H05K 5/0269 174/520	2004/0199911	A1 *	10/2004	Lo	G06F 8/665 717/171
7,738,264	B2 *	6/2010	Christol	H05K 9/0015 174/350	2004/0225816	A1 *	11/2004	Leigh	G06F 13/4081 710/305
7,804,688	B2 *	9/2010	Wakabayashi	H04L 1/0083 257/718	2004/0229511	A1 *	11/2004	Chen	G06K 19/077 439/638
7,869,218	B2 *	1/2011	Ni	H05K 5/0269 361/737	2004/0252560	A1 *	12/2004	Hsieh	G11C 7/16 365/199
7,883,341	B2 *	2/2011	Lang	H01R 13/6593 439/465	2005/0086413	A1 *	4/2005	Lee	G06K 19/077 710/313
7,933,127	B2 *	4/2011	Nishikawa	H01L 23/5388 235/492	2005/0101184	A1 *	5/2005	Chang	G06F 1/184 439/564
7,939,923	B2 *	5/2011	Nishikawa	G06K 19/077 257/678	2005/0110684	A1 *	5/2005	Liu	H01Q 1/242 343/700 MS
8,102,657	B2 *	1/2012	Hiew	G06F 1/1632 361/737	2006/0087016	A1 *	4/2006	Wada	H01L 23/5388 257/679
8,141,240	B2 *	3/2012	Hiew	H01L 21/561 29/412	2006/0250766	A1 *	11/2006	Blaalid	G06F 1/187 361/679.33
8,223,500	B2 *	7/2012	Yamada	G06K 19/077 174/521	2006/0277334	A1 *	12/2006	Sim	G06F 3/0643 710/62
D673,921	S *	1/2013	Ozawa	D13/182	2006/0283959	A1 *	12/2006	Sato	H01R 12/57 235/492
D673,922	S *	1/2013	Moriai	D13/182	2007/0013083	A1 *	1/2007	Kikuchi	H01L 21/4853 257/786
8,750,946	B2 *	6/2014	Jiang	H01M 2/1066 455/575.1	2007/0081311	A1 *	4/2007	Iwamiya	H05K 9/0033 361/760
8,939,289	B2 *	1/2015	Kuo	B65D 85/30 206/454	2007/0218768	A1 *	9/2007	Lee	H01R 31/06 439/630
8,982,567	B2 *	3/2015	Bang	G06K 7/0047 361/737	2007/0253180	A1 *	11/2007	Chiang	G06F 1/186 361/825
D745,476	S *	12/2015	Ronse	D13/182	2008/0018822	A1 *	1/2008	Yamamoto	G02F 1/13452 349/58
9,202,160	B2 *	12/2015	Han	G06K 19/07739	2008/0166920	A1 *	7/2008	Johnson	G06K 19/07732 439/638
D757,666	S *	5/2016	Yokoo	D13/182	2008/0168257	A1 *	7/2008	Marks	G06F 3/0607 712/38
9,433,094	B2 *	8/2016	Kashiwakura	H01R 12/721	2008/0296376	A1 *	12/2008	Kim	G06K 7/0047 235/435
9,442,539	B2 *	9/2016	Stone	G06F 1/185	2009/0063746	A1 *	3/2009	Drouillard	H01R 13/64 710/313
9,524,001	B2 *	12/2016	Liu	G06F 1/16					
9,606,589	B2 *	3/2017	Gallina	G06F 1/20					
2002/0014840	A1 *	2/2002	Kaneko	H05K 7/20963 313/587					

\* cited by examiner

FIG. 1

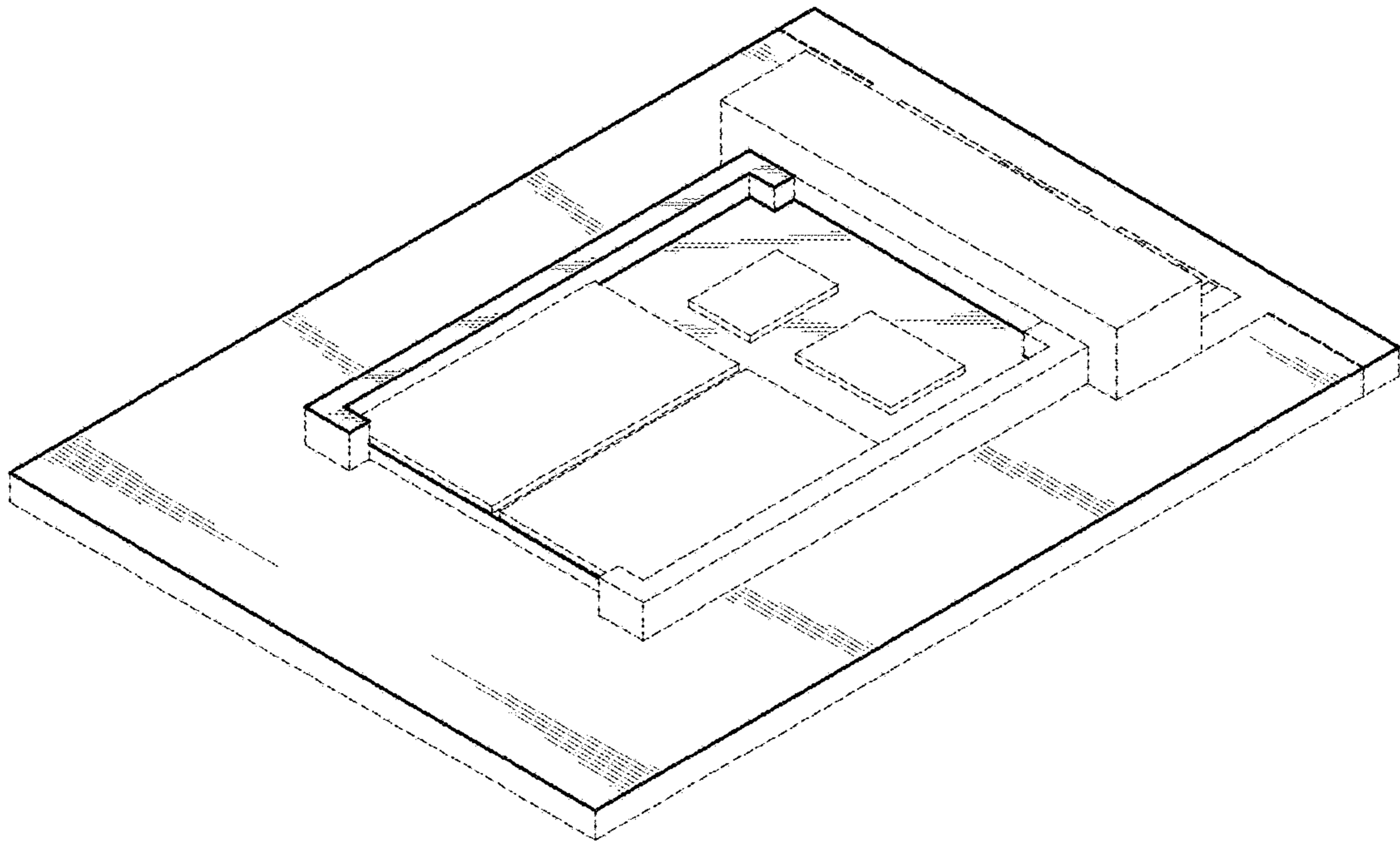


FIG. 2

