



US00D795258S

(12) **United States Design Patent** (10) **Patent No.:** **US D795,258 S**
Bell (45) **Date of Patent:** **** Aug. 22, 2017**

(54) **DIGITAL STYLUS**

(71) Applicant: **Coco Color Company Ltd.**, Lantau Island (HK)

(72) Inventor: **Hugh Noel Joseph Bell**, Lantau Island (HK)

(73) Assignee: **CoCo Color Company, LTD**, Discover Bay, Lantau Island, Hong Kong (HK)

(**) Term: **15 Years**

(21) Appl. No.: **29/586,148**

(22) Filed: **Dec. 1, 2016**

(51) **LOC (10) Cl.** **07-05**

(52) **U.S. Cl.**
USPC **D14/411**

(58) **Field of Classification Search**
USPC D14/372, 496, 432, 371, 125, 126, 129, D14/299, 411; D16/300-342; 351/158, 351/153, 144; 345/7-9, 905; 455/344; 348/115, 53, 121, 739

CPC G02B 27/017; G06F 3/016; G06F 3/033; G06F 3/0317; G06F 3/03545; G06F 3/041; G06K 9/222

See application file for complete search history.

(56) **References Cited**

U.S. PATENT DOCUMENTS

D670,699 S * 11/2012 Sato D14/411
D681,038 S * 4/2013 Tomohiro D14/411

D686,621 S * 7/2013 Pawlus D14/411
D706,781 S * 6/2014 Lei D14/411
D709,887 S * 7/2014 Yagi D14/411
D715,298 S * 10/2014 Hong D14/411
D723,557 S * 3/2015 Dowd D14/411
D770,453 S * 11/2016 Sumsion D14/411
D772,230 S * 11/2016 Lee D14/411
D786,872 S * 5/2017 Akers, Jr. D14/411

* cited by examiner

Primary Examiner — Austin Murphy

(57) **CLAIM**

The ornamental design for a digital stylus, as shown and described.

DESCRIPTION

FIG. 1 is a front, right side perspective view of the digital stylus of my design.

FIG. 2 is a front elevation view of the digital stylus.

FIG. 3 is a rear elevation view of the digital stylus.

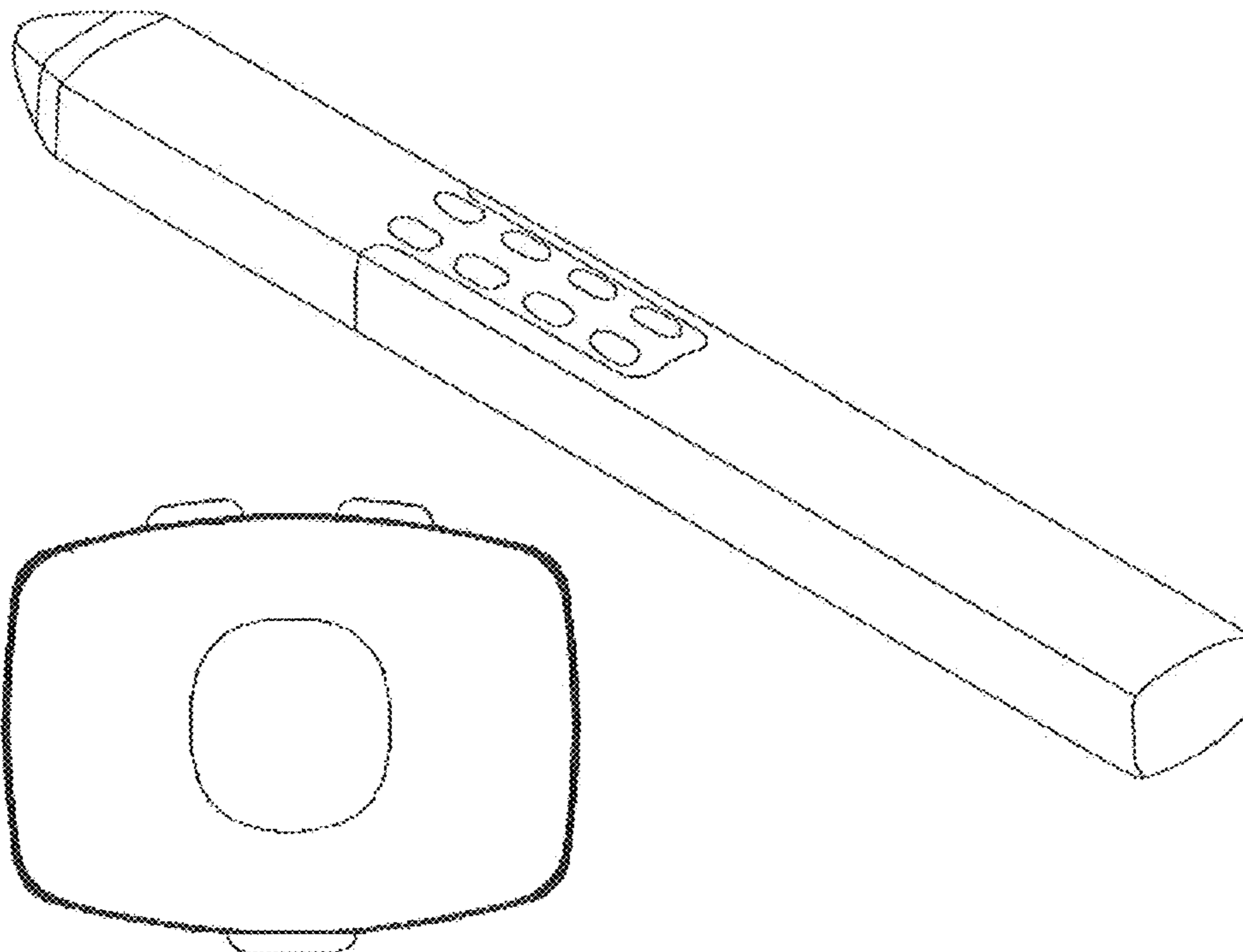
FIG. 4 is a right side elevation view of the digital stylus.

FIG. 5 is a left side elevation view of the digital stylus.

FIG. 6 is a top view of the digital stylus; and,

FIG. 7 is a bottom view of the digital stylus.

1 Claim, 7 Drawing Sheets



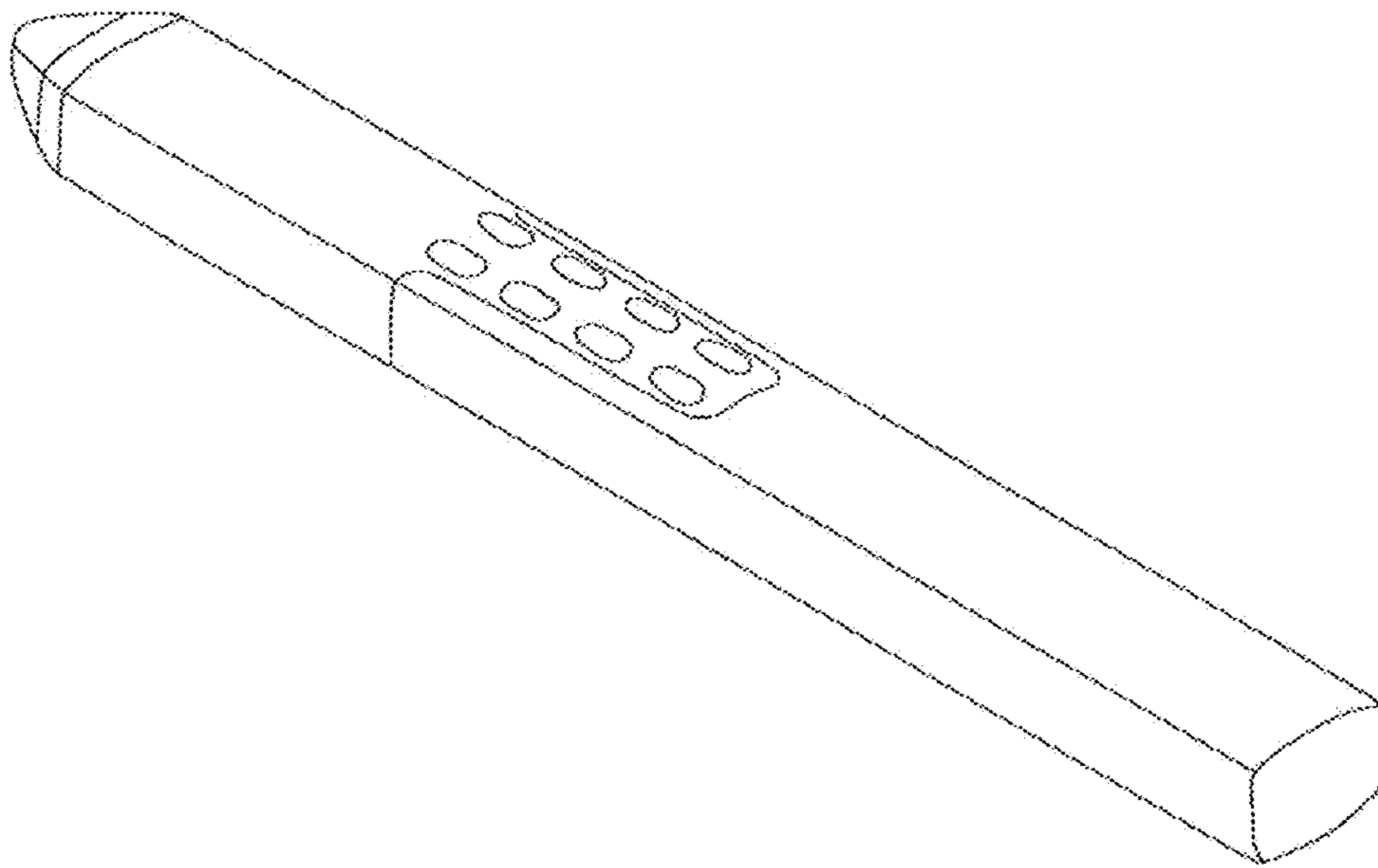


FIG. 1

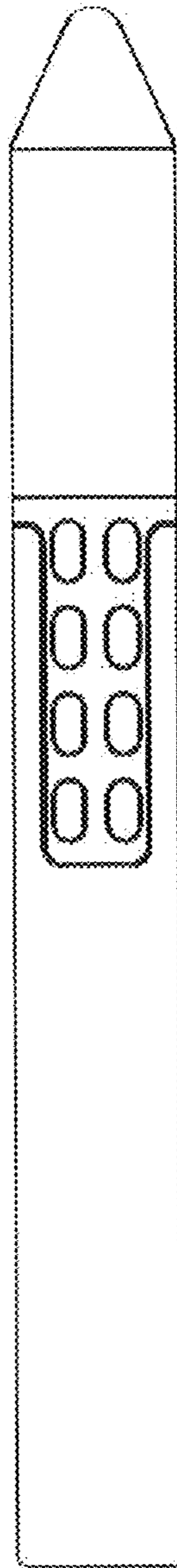


FIG. 2

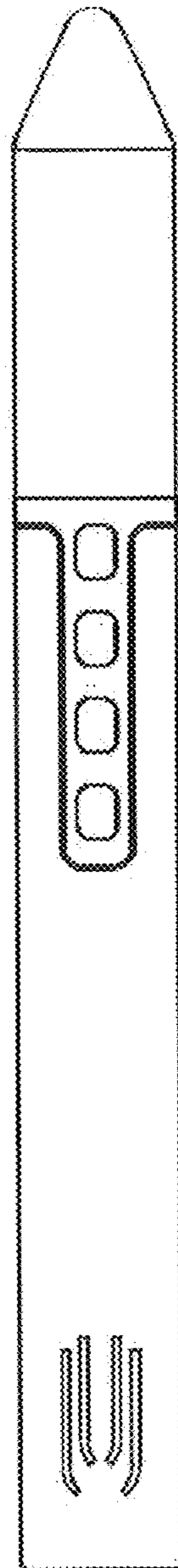


FIG. 3



FIG. 4

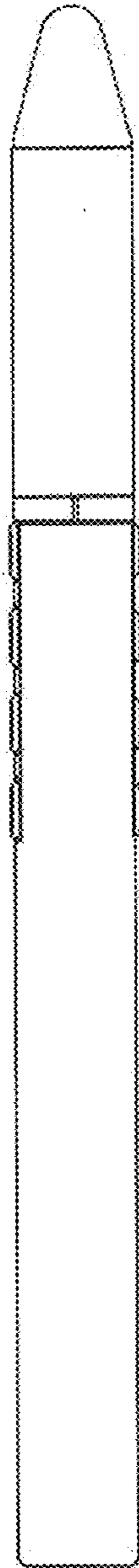


FIG. 5

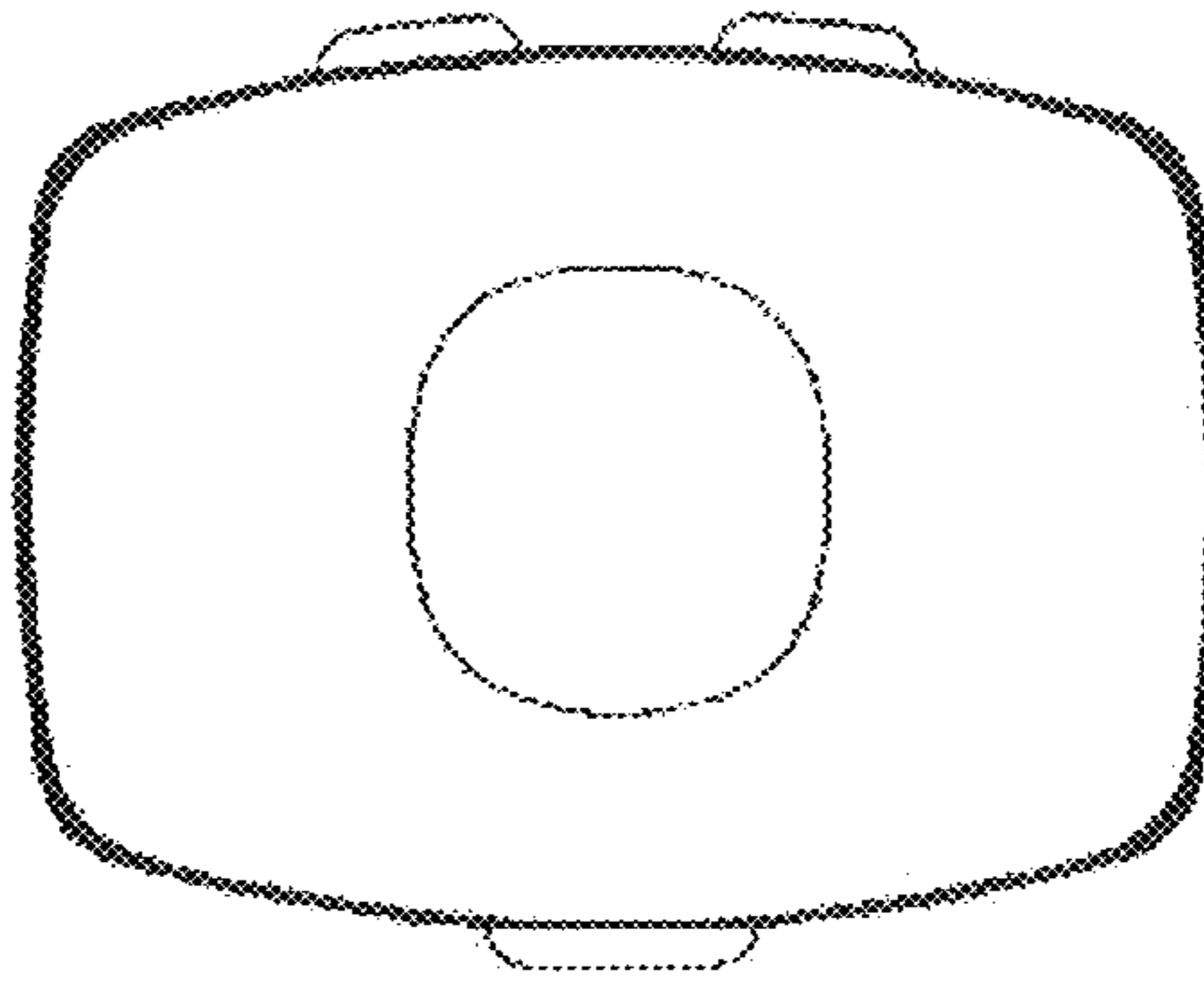


FIG. 6

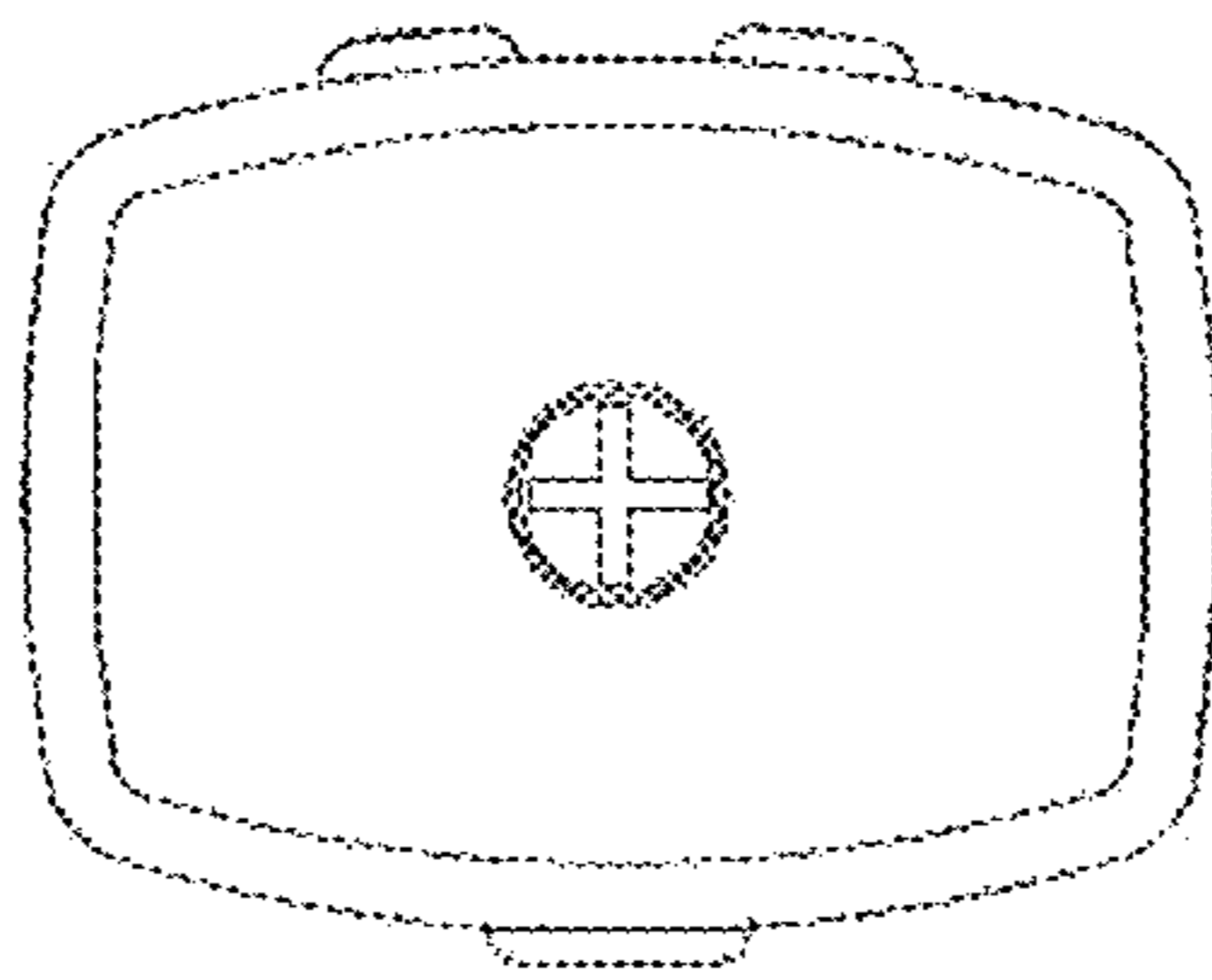


FIG. 7