



US00D795256S

(12) **United States Design Patent** (10) **Patent No.:** **US D795,256 S**
Jentz et al. (45) **Date of Patent:** **** Aug. 22, 2017**

(54) **AUGMENTED REALITY INPUT DEVICE**
(71) Applicant: **Microsoft Corporation**, Redmond, WA (US)
(72) Inventors: **Lorenz Henric Jentz**, Seattle, WA (US); **Nicolas Denhez**, Seattle, WA (US); **Young duk Song**, Kirkland, WA (US); **YeongKyu Yoo**, Bellevue, WA (US)

D299,471 S * 1/1989 Carver D19/177
D304,381 S * 10/1989 Campbell D26/37
D322,609 S * 12/1991 Patton D14/218
5,420,607 A * 5/1995 Miller G06F 3/03542
345/156
5,793,361 A * 8/1998 Kahn G06F 3/03542
345/1.3
5,926,168 A * 7/1999 Fan G06F 3/0325
345/158

(Continued)

(73) Assignee: **Microsoft Corporation**, Redmond, WA (US)

(**) Term: **15 Years**

(21) Appl. No.: **29/566,665**

(22) Filed: **Jun. 1, 2016**

(51) **LOC (10) Cl.** **14-02**

(52) **U.S. Cl.**
USPC **D14/388**; D26/37

(58) **Field of Classification Search**
USPC D14/356-358, 388, 389, 400, 402, 405, D14/408, 411, 431, 432, 454, 460, 496, D14/217, 218, 299; D21/324-333, 517, D21/512; D13/123, 162, 162.1, 168, D13/171-174; D24/184-186; D19/115, D19/123, 128, 159, 164, 166, 170, 171, D19/173, 177, 181, 185, 64; D26/37, 38
CPC . G06F 3/00; G06F 3/011; G06F 3/014; G06F 3/016; G06F 3/017; G06F 3/033; G06F 3/0354; G06F 3/03542; G06F 3/03543; G06F 3/03545; G06F 3/03547; G06F 3/037; G06F 3/038; G06F 3/039; G06K 9/222

See application file for complete search history.

(56) **References Cited**

U.S. PATENT DOCUMENTS

3,737,655 A * 6/1973 Blendinger G06F 3/03542
200/60
D265,212 S * 6/1982 Spiegel D19/170

OTHER PUBLICATIONS

Google Draw is augmented reality paintbrush for Google Glass. [damngeeky.com](http://www.damngeeky.com) . . . (Online) 4 pgs. Posted Apr. 23, 2014. [retrieved on Mar. 27, 2017] <http://www.damngeeky.com/2014/04/23/20616/google-draw-is-augmented-reality-paintbrush-for-google-glass.html>.*

(Continued)

Primary Examiner — Susan Bennett Hattan
Assistant Examiner — Marie Fast Horse
(74) *Attorney, Agent, or Firm* — Banner & Witcoff, Ltd.

(57) **CLAIM**

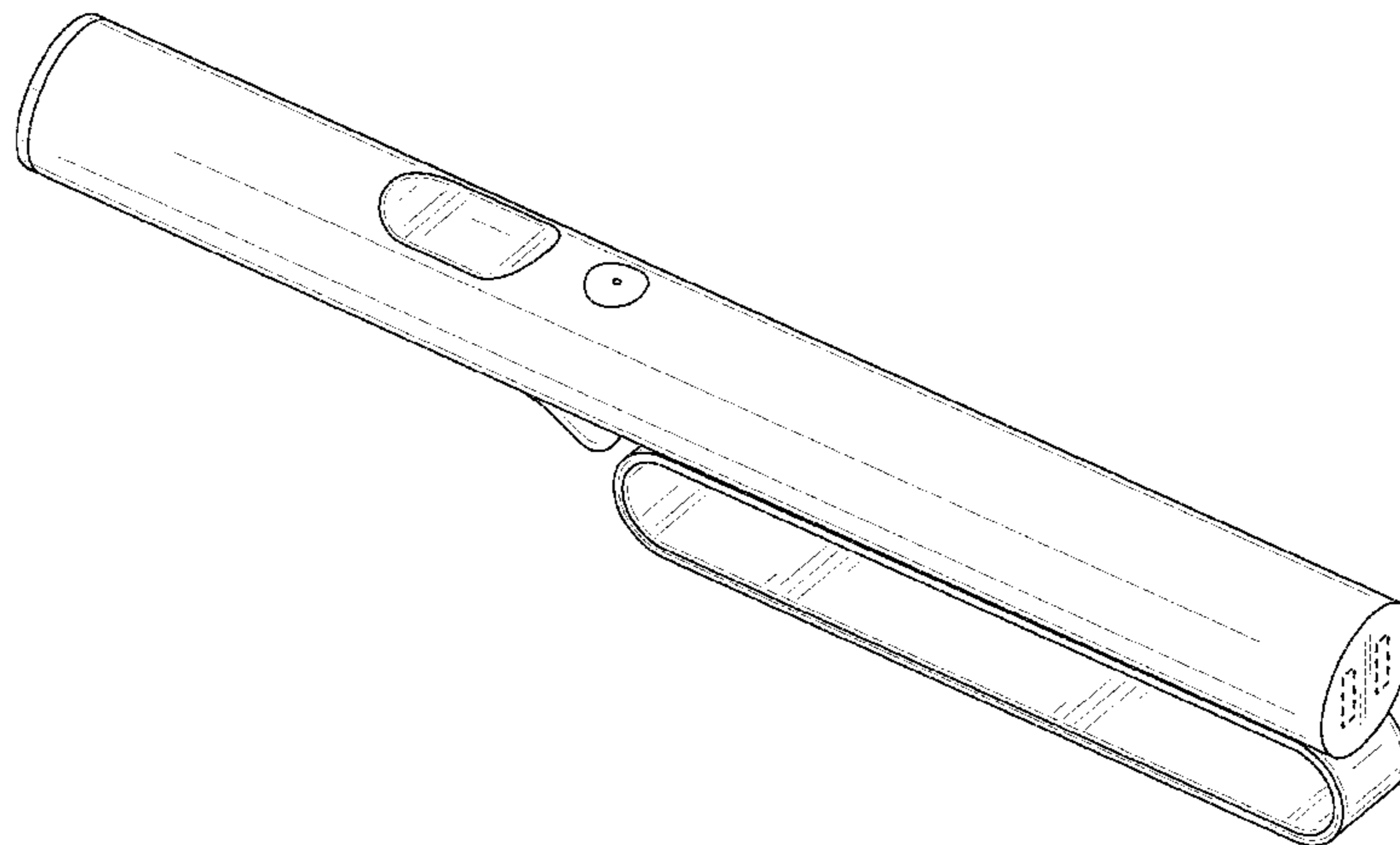
The ornamental design for an augmented reality input device, as shown and described.

DESCRIPTION

FIG. 1 is a perspective view of an augmented reality input device showing our new design; FIG. 2 is a right side view thereof; FIG. 3 is a left side view thereof; FIG. 4 is a front view thereof; FIG. 5 is a rear view thereof; FIG. 6 is a top view thereof; and, FIG. 7 is a bottom view thereof.

The broken lines seen in FIGS. 1 and 5 depict portions of the augmented reality input device that form no part of the claimed design.

1 Claim, 4 Drawing Sheets



(56)

References Cited

U.S. PATENT DOCUMENTS

D424,567 S * 5/2000 Hakoda D14/218
 D462,356 S * 9/2002 Ono D14/411
 D486,930 S * 2/2004 Stoddard D26/37
 D497,214 S * 10/2004 Lo D26/37
 D535,418 S * 1/2007 Martin D26/37
 D570,792 S * 6/2008 Leung D13/168
 D576,324 S * 9/2008 Wolff D26/39
 D595,718 S * 7/2009 Richter D14/411
 D614,623 S * 4/2010 Crisp D14/411
 D617,796 S * 6/2010 Ando D14/411
 D619,580 S * 7/2010 Nakayama D14/411
 D656,989 S * 4/2012 Briggel D14/480.3
 D662,097 S * 6/2012 Lin D14/411
 D670,700 S * 11/2012 Halsinger D14/411
 D676,049 S * 2/2013 Lee D14/411
 D676,170 S * 2/2013 Feng D26/38
 D678,282 S * 3/2013 Izen D14/411
 D681,038 S * 4/2013 Tomohiro D14/411
 D688,666 S * 8/2013 Kowari D14/411
 D702,864 S * 4/2014 Lee D26/38
 D708,598 S * 7/2014 Robinson D14/218
 D712,480 S * 9/2014 Fleming D19/173
 D717,301 S 11/2014 Groene et al.
 D717,798 S 11/2014 Groene et al.
 D719,160 S * 12/2014 Gough D14/388
 D724,086 S 3/2015 Schoenert et al.
 D725,810 S * 3/2015 Jeong D26/38
 D735,195 S * 7/2015 Yakel D14/388
 D745,988 S * 12/2015 Ahn D26/38

D753,095 S * 4/2016 Jou D14/218
 D765,179 S * 8/2016 Simon D19/177
 D771,048 S * 11/2016 Martindale D14/411
 D773,462 S * 12/2016 Mitchell D14/411
 D779,460 S * 2/2017 Turksu D14/218
 D781,293 S * 3/2017 Mitchell D14/411
 2003/0025884 A1 * 2/2003 Hamana G02B 27/20
 353/42
 2005/0253804 A1 * 11/2005 Tai G06F 3/0354
 345/156
 2008/0100883 A1 * 5/2008 Kim G06F 3/0354
 358/482
 2008/0174571 A1 * 7/2008 Chen G06F 1/1616
 345/179
 2013/0102222 A1 * 4/2013 Clark G06F 3/03542
 446/219
 2014/0125579 A1 * 5/2014 Yamamoto G02B 27/017
 345/156
 2014/0184506 A1 * 7/2014 Golikov G06F 3/0304
 345/158
 2016/0189592 A1 * 6/2016 Kato G09G 3/2003
 345/593
 2017/0017309 A1 * 1/2017 Okada G06F 3/0386

OTHER PUBLICATIONS

U.S. Appl. No. 29/566,659—Copending U.S. Design Patent Application Papers—filed Jun. 1, 2016. Jentz et al.*
 U.S. Appl. No. 29/566,663—Copending U.S. Design Patent Application Papers—filed Jun. 1, 2016. Jentz et al.*

* cited by examiner

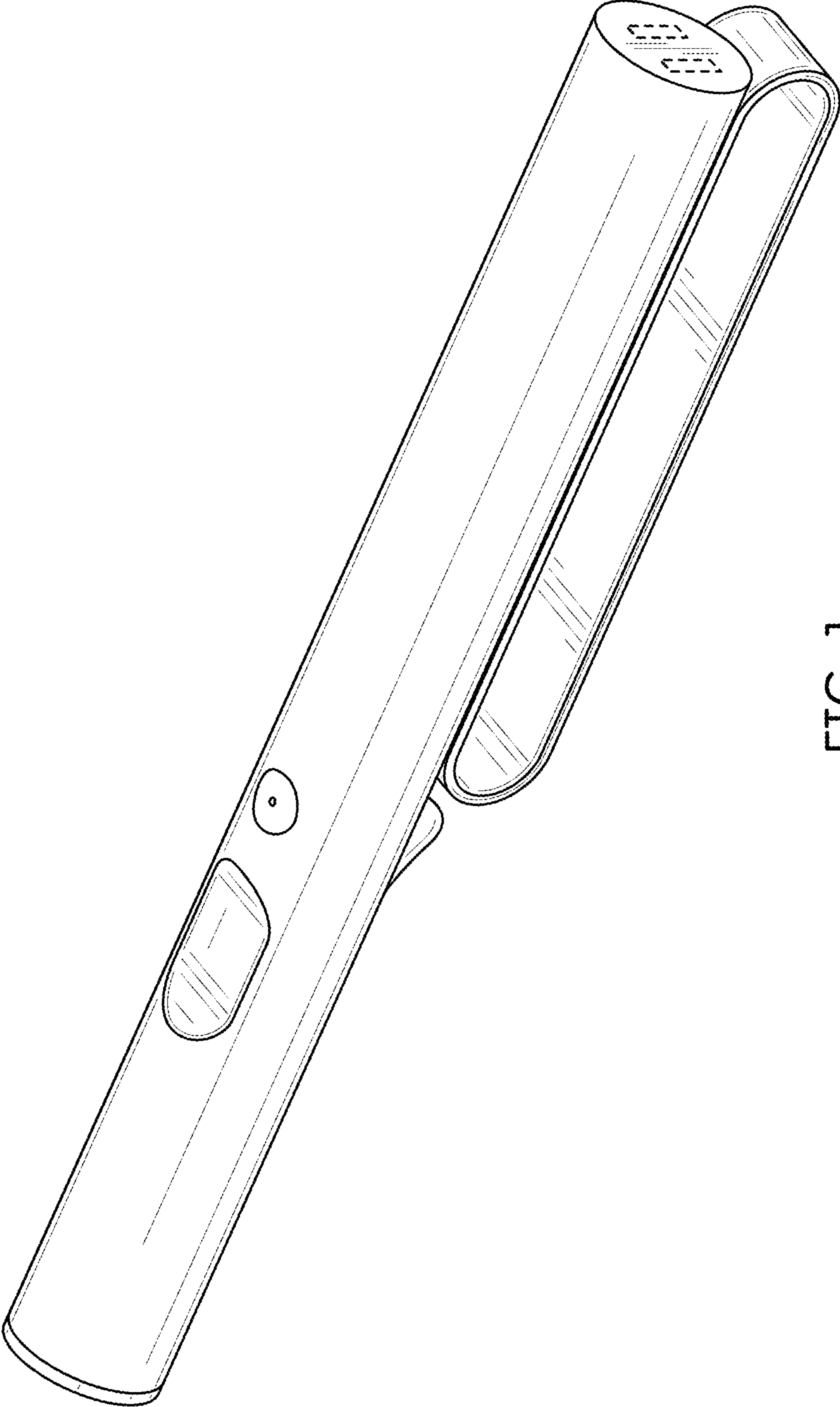


FIG. 1

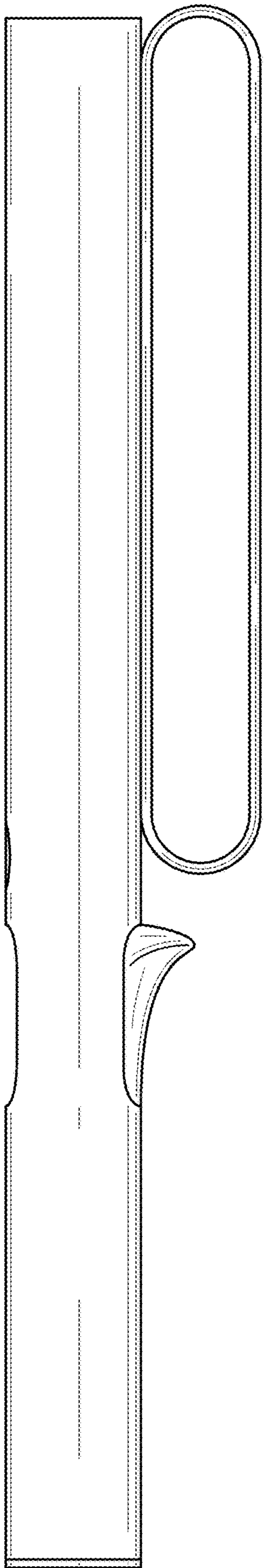


FIG. 2

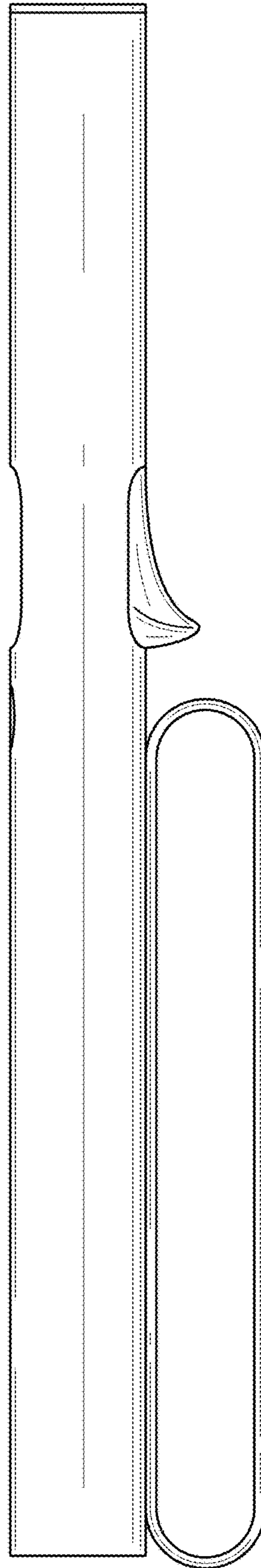


FIG. 3

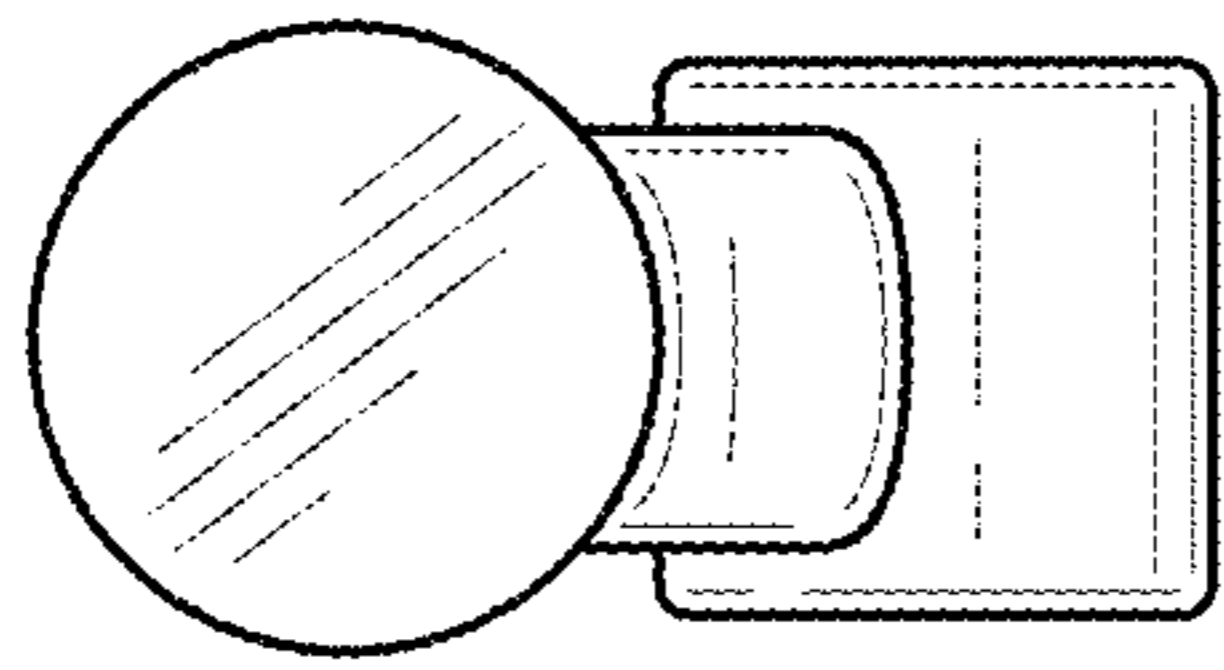


FIG. 4

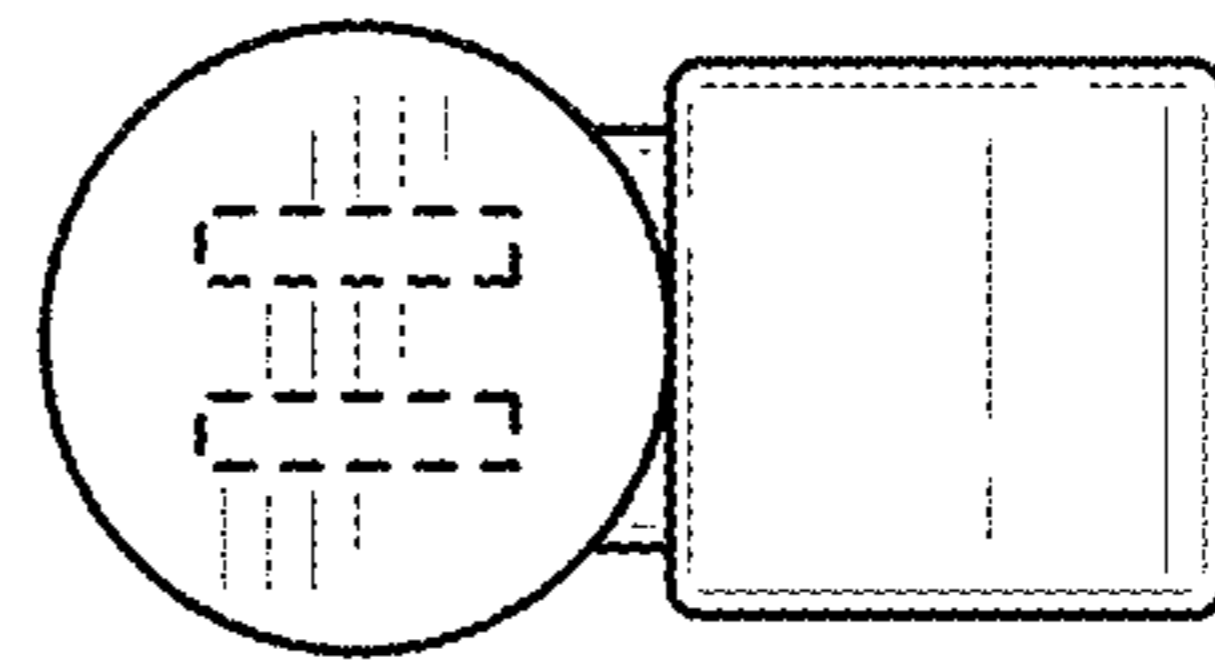


FIG. 5

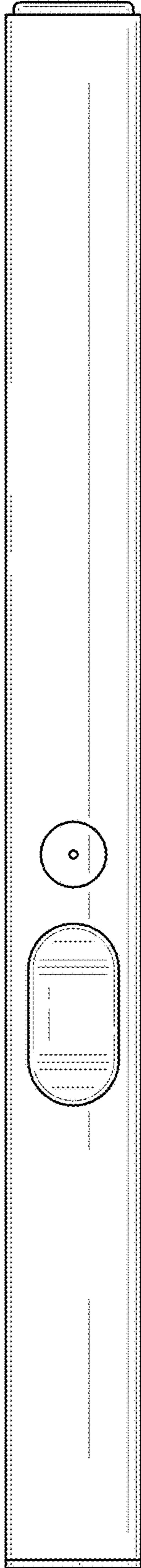


FIG. 6

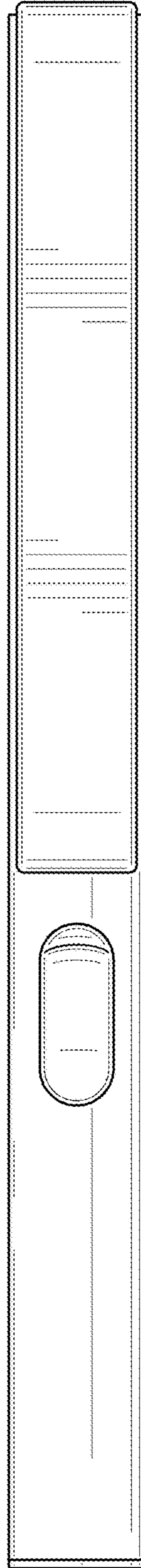


FIG. 7