



US00D795255S

(12) **United States Design Patent** (10) **Patent No.:** **US D795,255 S**  
**Avetisov et al.** (45) **Date of Patent:** **\*\* Aug. 22, 2017**

(54) **BIOMETRIC PAYMENT GATEWAY DEVICE**

(71) Applicant: **HYPR CORP.**, New York, NY (US)  
(72) Inventors: **George Avetisov**, New York, NY (US);  
**Roman Kadinsky**, New York, NY (US); **Bojan Simic**, New York, NY (US)

(73) Assignee: **HYPR CORP.**, New York, NY (US)

(\*\*) Term: **15 Years**

(21) Appl. No.: **29/583,692**

(22) Filed: **Nov. 8, 2016**

**Related U.S. Application Data**

(63) Continuation of application No. 29/526,700, filed on May 12, 2015, now Pat. No. Des. 771,043.

(51) **LOC (10) Cl.** ..... **14-02**

(52) **U.S. Cl.**

USPC ..... **D14/384**

(58) **Field of Classification Search**

USPC ..... D14/300–302, 313, 314, 341, 348–370,  
D14/383, 385, 432, 436, 496, 125, 135,  
(Continued)

(56) **References Cited**

**U.S. PATENT DOCUMENTS**

D283,405 S \* 4/1986 Yuen ..... D10/46  
D373,318 S \* 9/1996 Berch ..... D10/106.1

(Continued)

**OTHER PUBLICATIONS**

M'Raihi et al., Internet Engineering Task Force, TOTP: Time-Based One-Time Password Algorithm; Request for Comments: 6238, May 2011, 16 pages).

*Primary Examiner* — Austin Murphy

(74) *Attorney, Agent, or Firm* — Pillsbury Winthrop Shaw Pittman LLP

(57) **CLAIM**

The ornamental design for a biometric payment gateway device, as shown and described.

**DESCRIPTION**

FIG. 1 is a front-side view of the biometric payment gateway device;

FIG. 2 is a back-side view of the biometric payment gateway device;

FIG. 3 is a left-side view of the biometric payment gateway device;

FIG. 4 is a right-side view of the biometric payment gateway device;

FIG. 5 is a top-side view of the biometric payment gateway device;

FIG. 6 is a bottom-side view of the biometric payment gateway device;

FIG. 7 is a first perspective view of the biometric payment gateway device;

FIG. 8 is a second perspective view of the biometric payment gateway device;

FIG. 9 is a perspective view of the biometric payment gateway device in an opened configuration;

FIG. 10 is a front-side view of the biometric payment gateway device shown as applied to an exemplary portable electronic device;

FIG. 11 is a left-side view of the biometric payment gateway device shown as applied to an exemplary portable electronic device;

FIG. 12 is a right-side view of the biometric payment gateway device shown as applied to an exemplary portable electronic device;

FIG. 13 is a top-side view of the biometric payment gateway device shown as applied to an exemplary portable electronic device;

FIG. 14 is a bottom-side view of the biometric payment gateway device shown as applied to an exemplary portable electronic device;

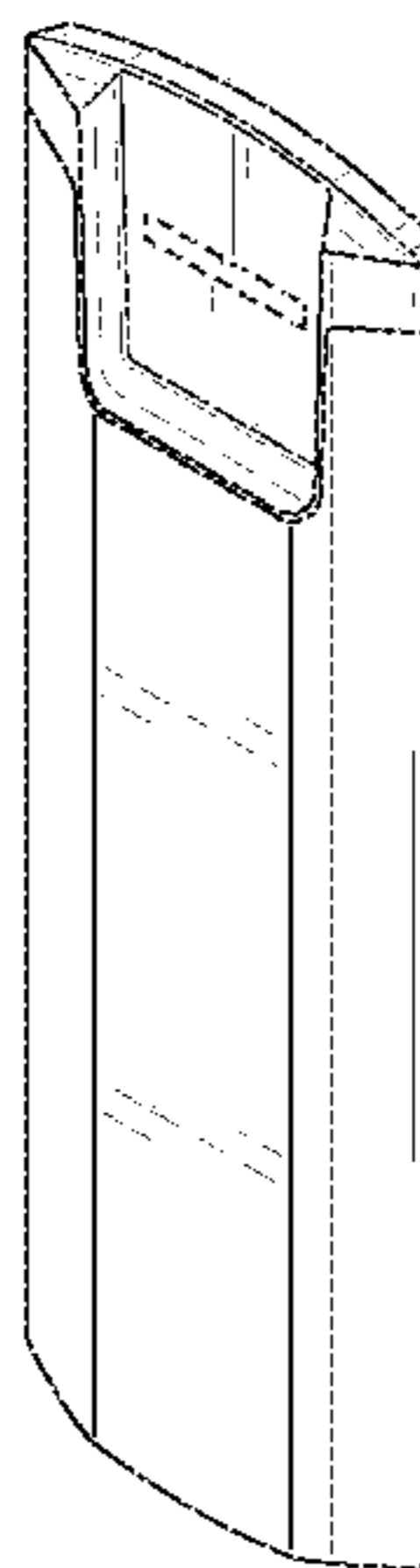
FIG. 15 is a first perspective view of the biometric payment gateway device shown as applied to an exemplary portable electronic device;

FIG. 16 is a second perspective view of the biometric payment gateway device shown as applied to an exemplary portable electronic device;

FIG. 17 is a perspective view of the biometric payment gateway device shown as detached from an exemplary portable electronic device; and,

FIG. 18 is a front-side view of the biometric payment gateway device shown as connected to an exemplary key-chain.

(Continued)



The subject matter in broken lines forms no part of the claimed design.

**1 Claim, 14 Drawing Sheets**

(58) **Field of Classification Search**

USPC ..... D14/134, 155, 167, 168, 230, 231, 233, D14/235, 237, 240-242, 299; D10/65, D10/75, 78; D13/103, 149, 162, 184, D13/199; D18/4.4-4.6, 12.1, 56; 361/679.31-679.45, 752; 711/100, 115; 382/115, 124; 356/71; 235/380, 461, 235/382, 472.01, 472.02; D3/201, 273  
 CPC ..... G06K 9/00006; G06K 7/0013; G06K 9/00026; G06F 21/00; G06Q 30/00  
 See application file for complete search history.

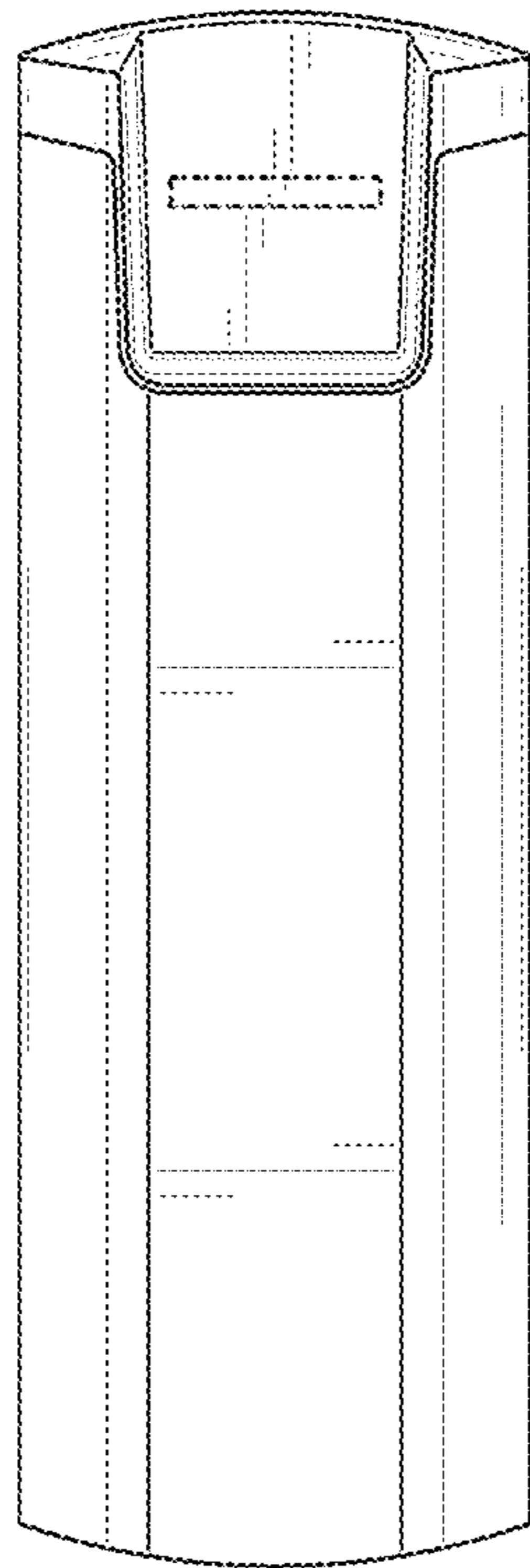
(56) **References Cited**

U.S. PATENT DOCUMENTS

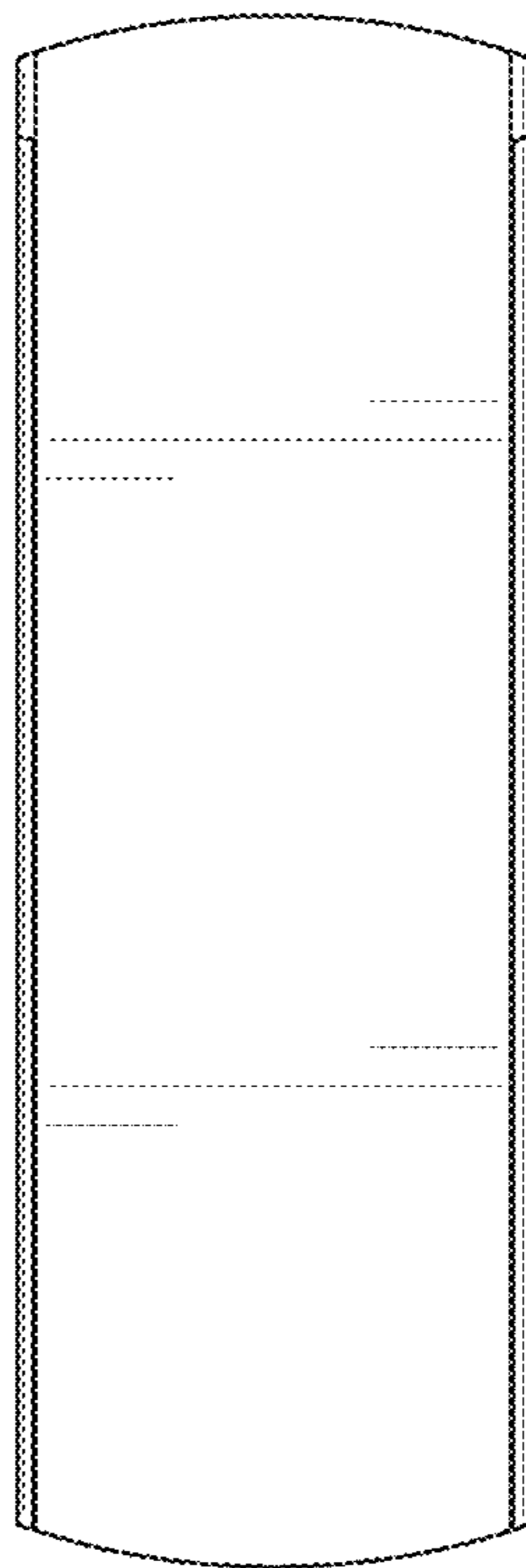
6,167,517 A 12/2000 Gilchrist  
 D451,076 S \* 11/2001 Sommer ..... D13/168  
 D466,089 S \* 11/2002 Suen ..... D13/162  
 D486,484 S 2/2004 Bloomberg  
 D486,806 S \* 2/2004 Takayama ..... D14/137

D486,807 S \* 2/2004 Takayama ..... D14/137  
 D494,175 S 8/2004 Kawasaki  
 D509,199 S \* 9/2005 Haase ..... D14/137  
 D511,113 S \* 11/2005 Feldman ..... D10/104.1  
 D516,069 S 2/2006 Kuroda  
 D522,510 S 6/2006 Su  
 D537,820 S 3/2007 Hsu  
 D542,291 S 5/2007 Kang  
 7,269,737 B2 9/2007 Robinson  
 D591,706 S 5/2009 Constin  
 D592,660 S 5/2009 Wang  
 D593,559 S 6/2009 Lin  
 D649,548 S 11/2011 Szoke  
 D652,332 S \* 1/2012 Bond ..... D10/104.1  
 D652,333 S \* 1/2012 Bond ..... D10/104.1  
 8,117,438 B1 2/2012 Albisu  
 D661,211 S 6/2012 Hou  
 8,613,052 B2 12/2013 Weiss  
 D698,792 S 2/2014 Lin  
 D699,616 S \* 2/2014 Ke ..... D10/106.95  
 D703,205 S 4/2014 Tamura  
 D705,107 S \* 5/2014 Corso ..... D10/106.1  
 8,838,502 B2 9/2014 Niwa  
 D718,307 S 11/2014 Ozolins  
 D741,862 S 10/2015 Beroukhim  
 D771,043 S \* 11/2016 Avetisov ..... D14/384  
 2003/0229811 A1 12/2003 Siegel  
 2007/0067642 A1 3/2007 Singhal  
 2014/0289833 A1 9/2014 Briceno

\* cited by examiner



**FIG. 1**



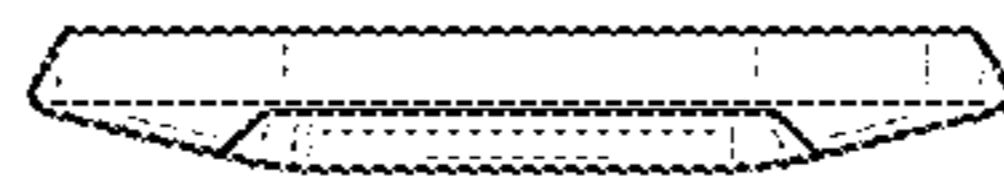
**FIG. 2**



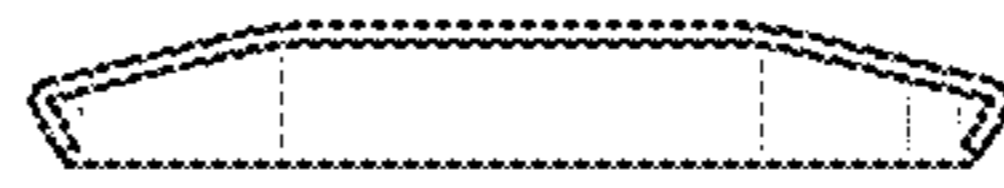
**FIG. 3**



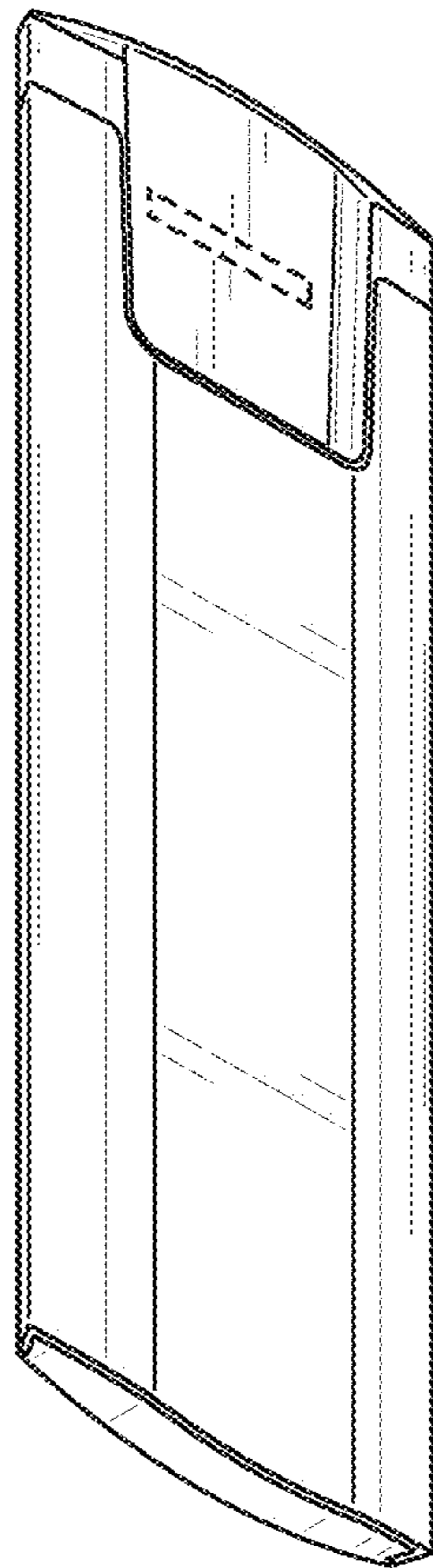
**FIG. 4**



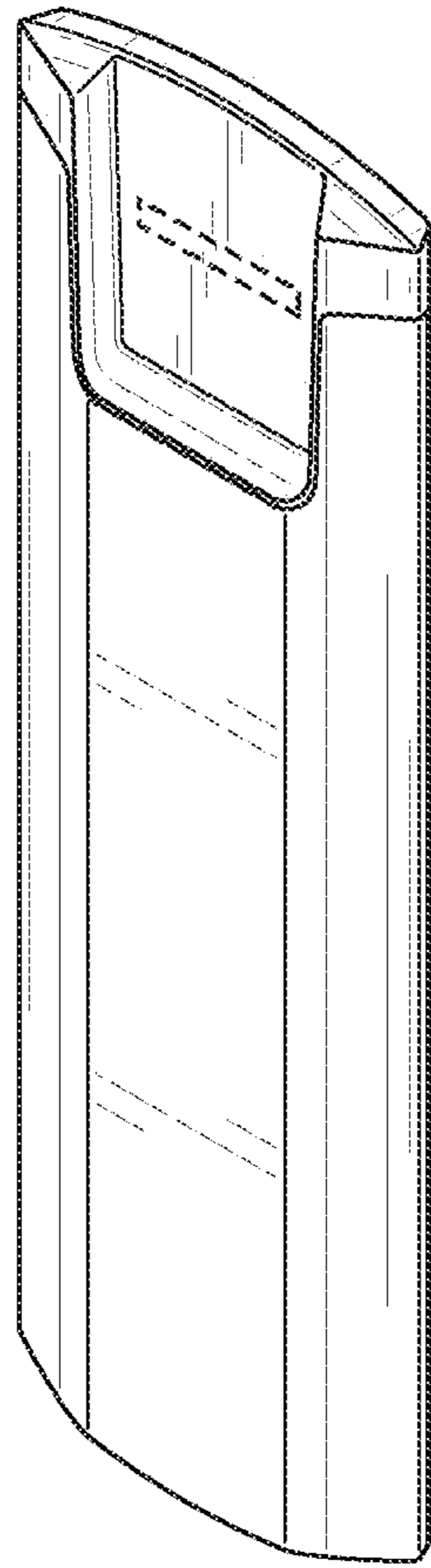
**FIG. 5**



**FIG. 6**

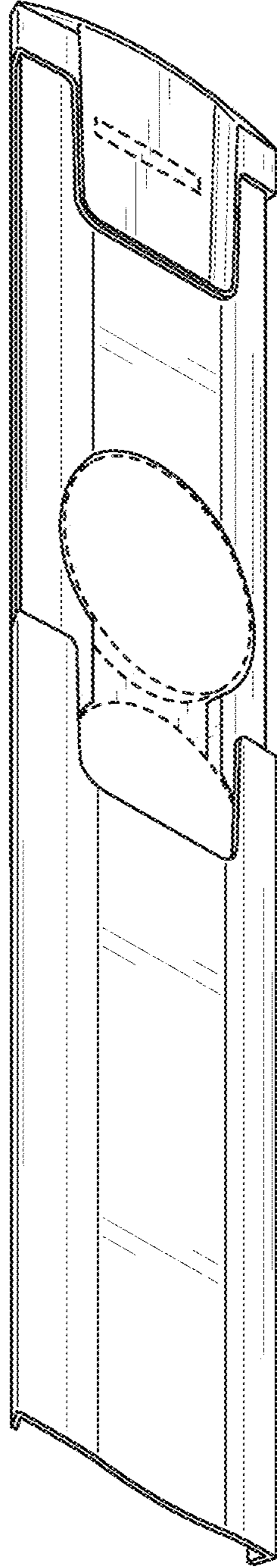


**FIG. 7**

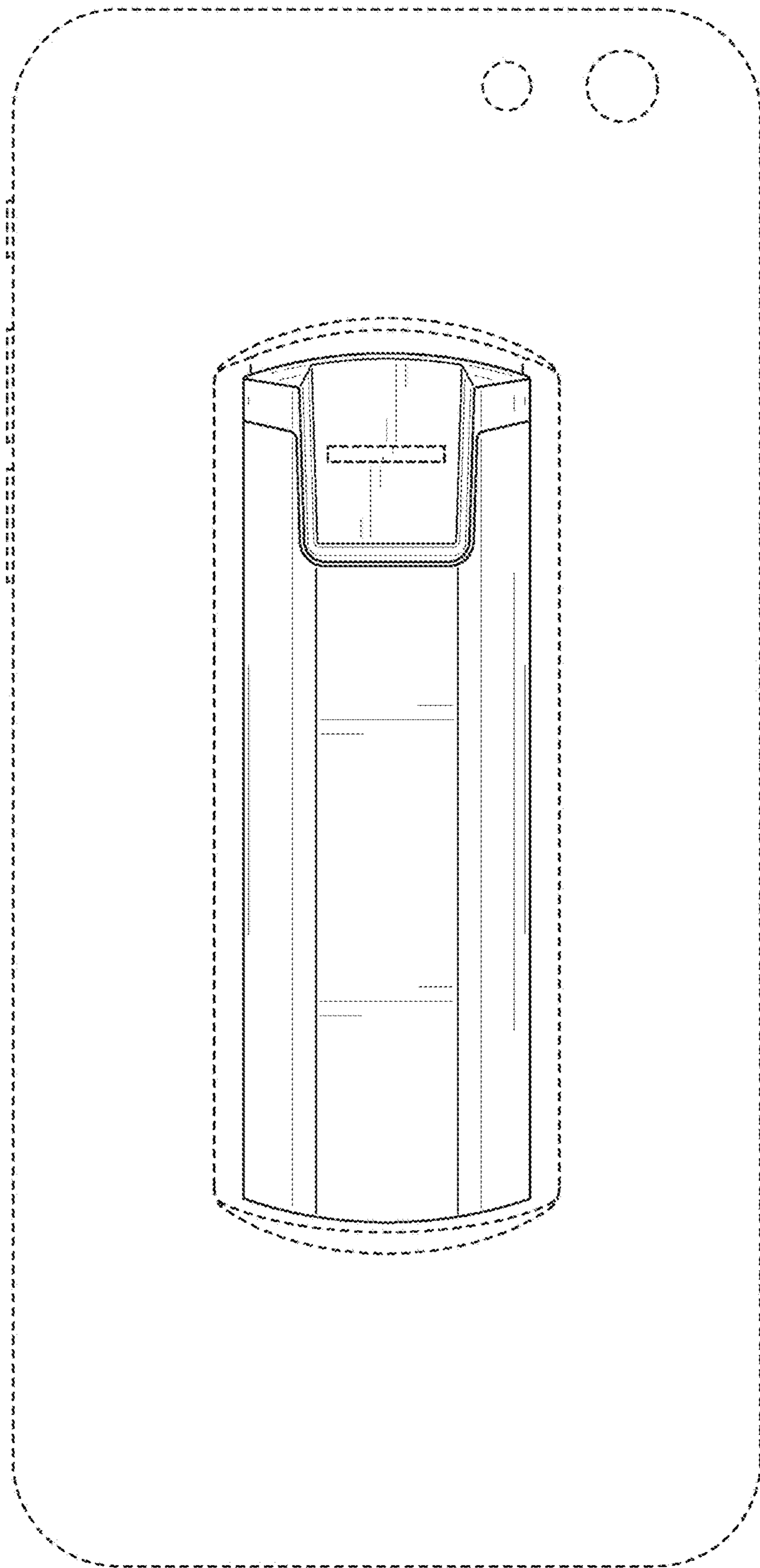


**FIG. 8**





**FIG. 9**



**FIG. 10**

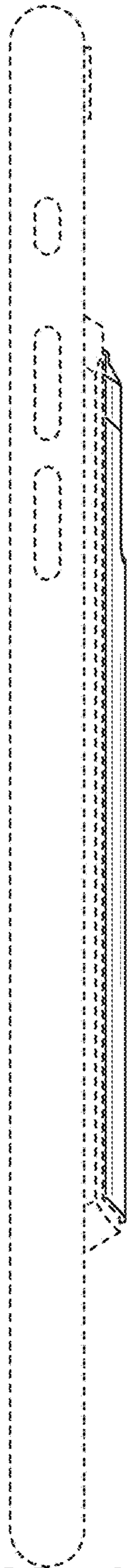


FIG. 11

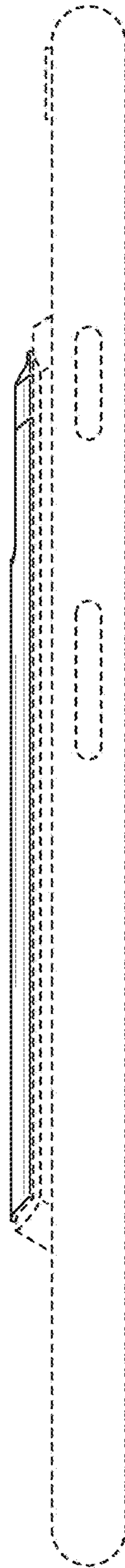
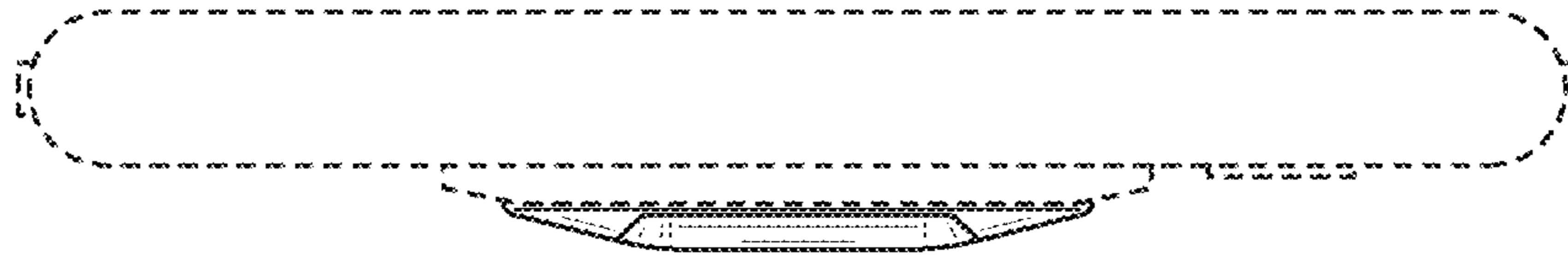
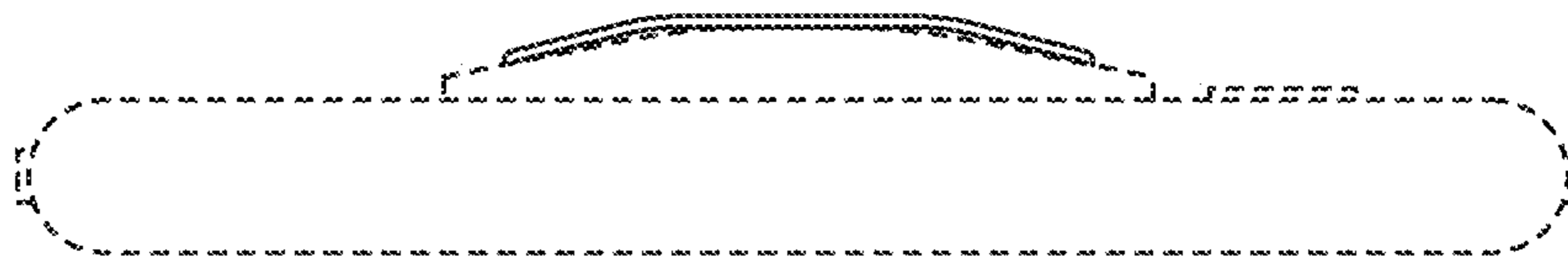


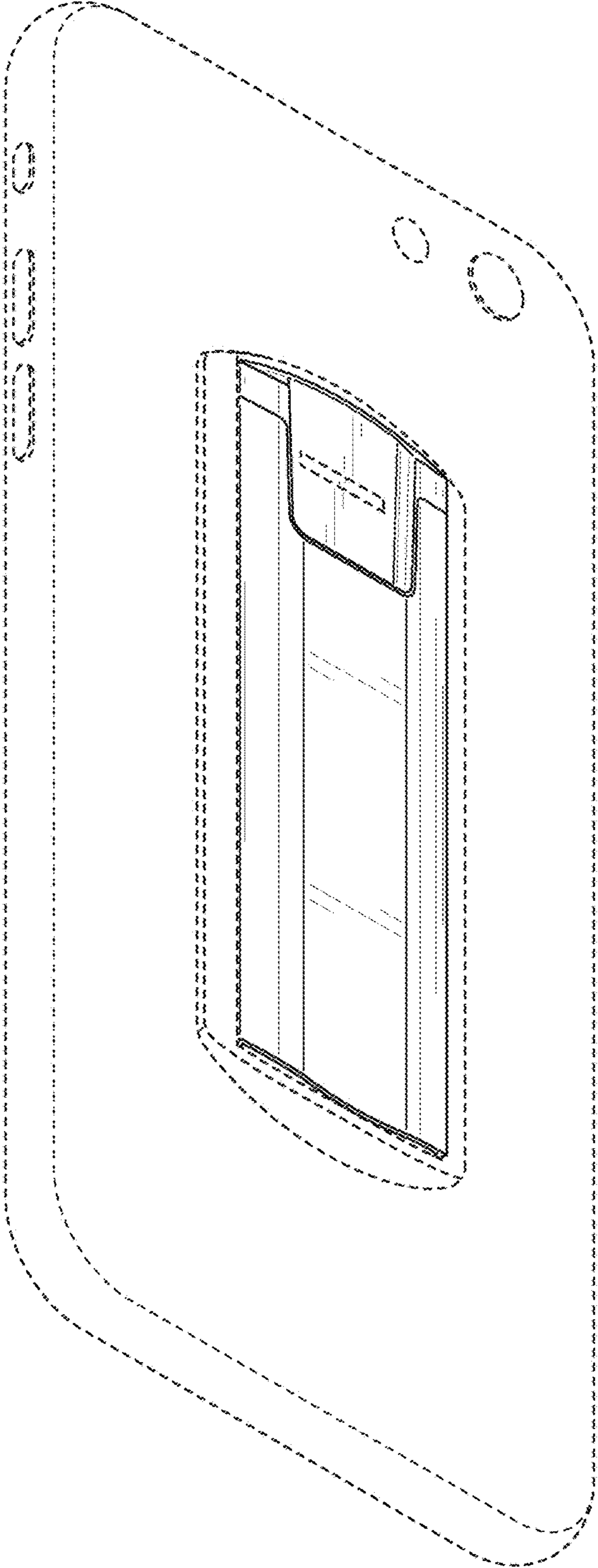
FIG. 12



**FIG. 13**



**FIG. 14**



**FIG. 15**

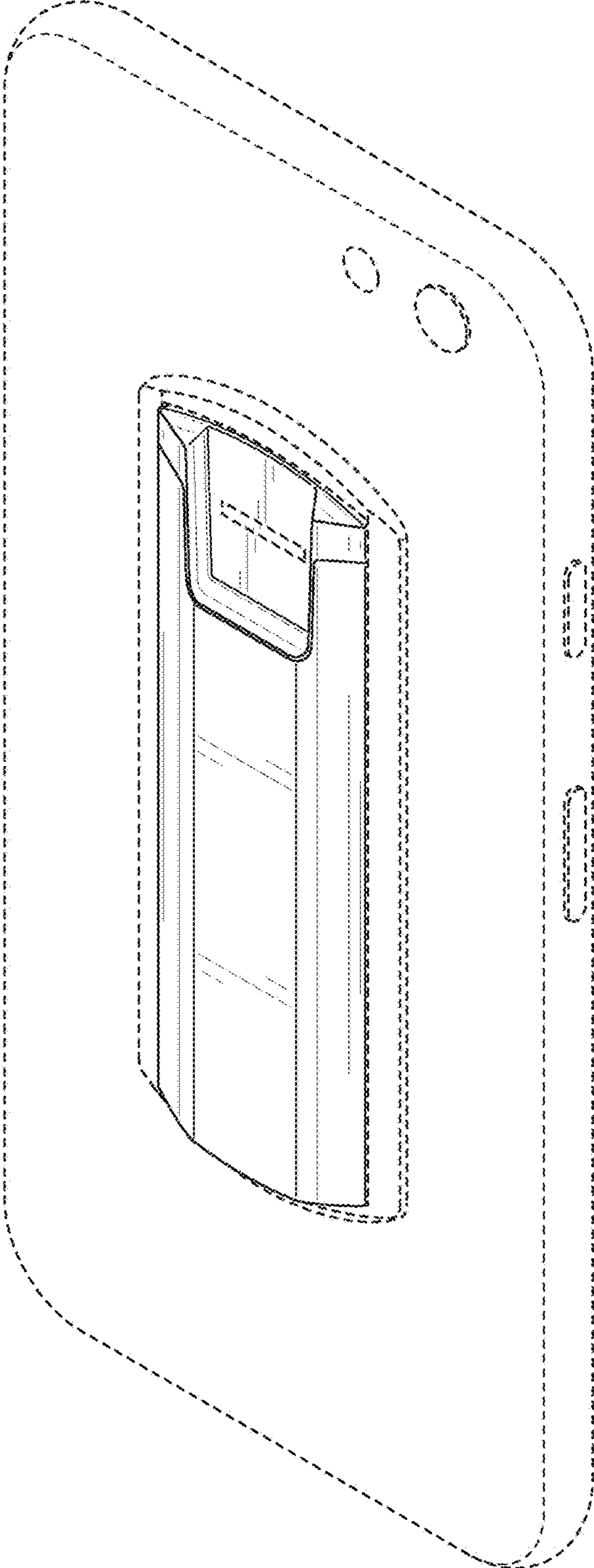


FIG. 16

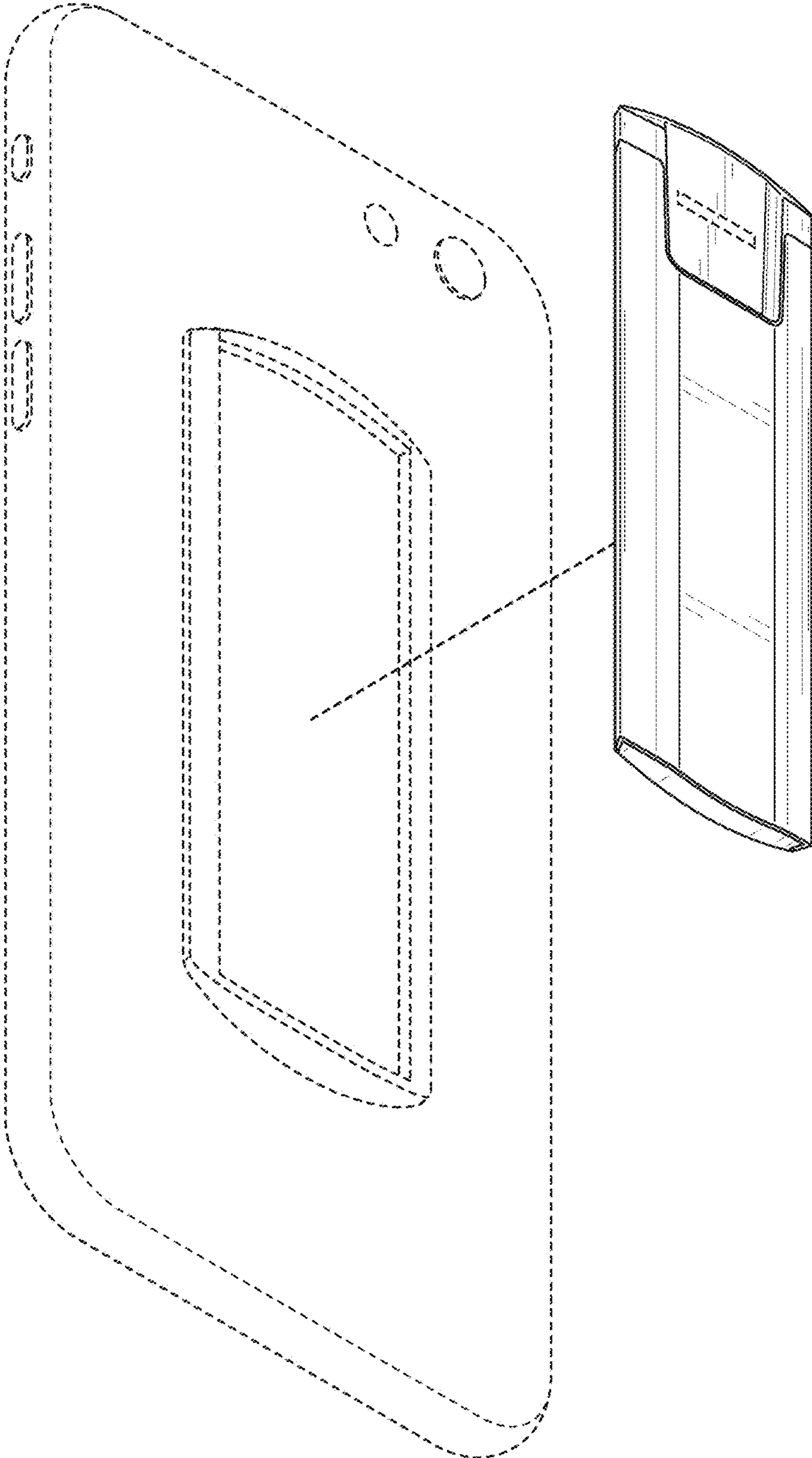
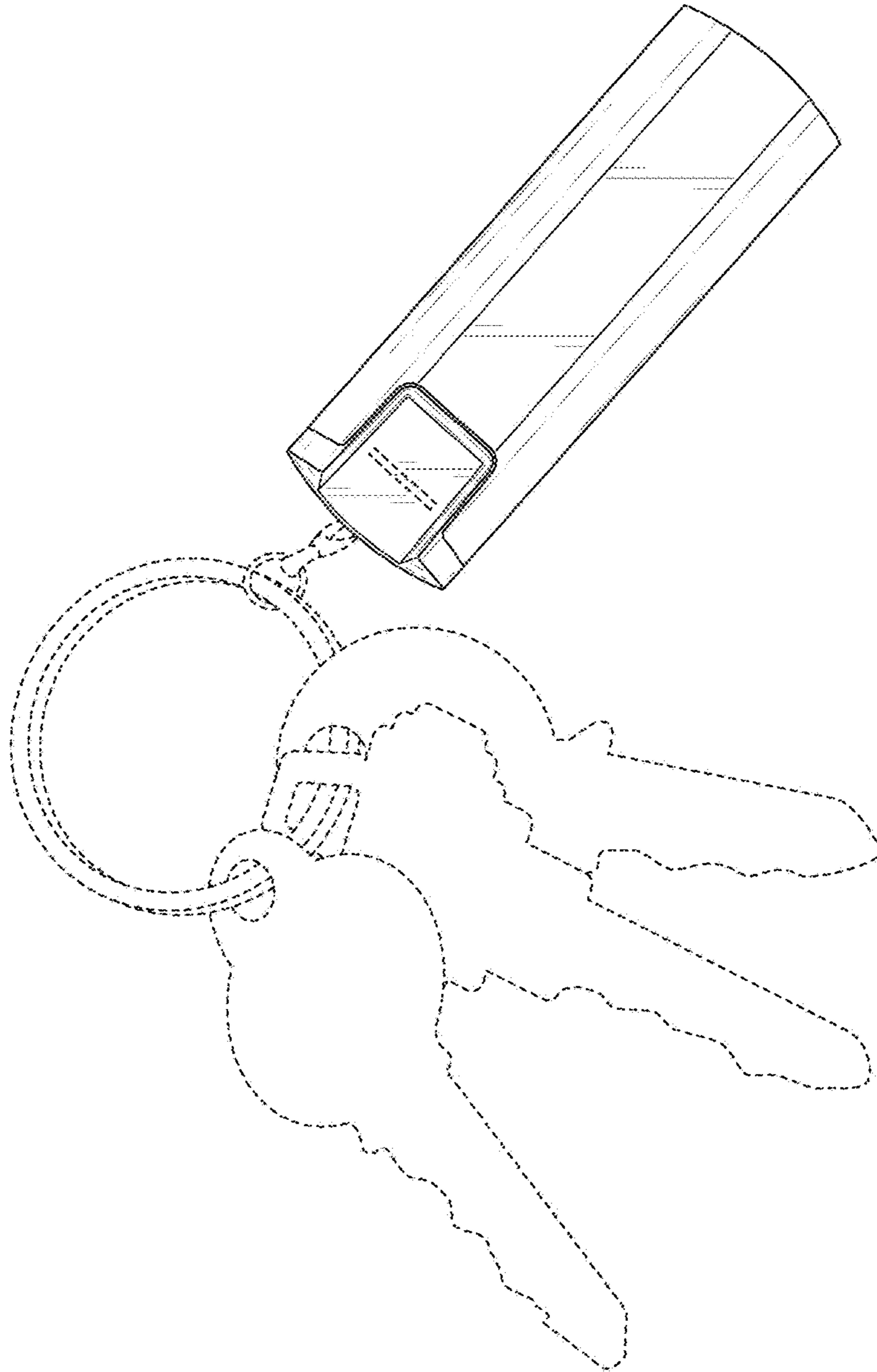


FIG. 17



**FIG. 18**