



US00D795251S

(12) **United States Design Patent**
Mistry et al.

(10) **Patent No.:** **US D795,251 S**
(45) **Date of Patent:** **** Aug. 22, 2017**

- (54) **WEARABLE ELECTRONIC DEVICE**
- (71) Applicant: **SAMSUNG ELECTRONICS CO., LTD.**, Suwon-si (KR)
- (72) Inventors: **Pranav Mistry**, Campbell, CA (US); **Curtis D. Aumiller**, San Jose, CA (US); **Chengyuan Wei**, Sunnyvale, CA (US); **Jiawei Zhang**, Sunnyvale, CA (US)
- (73) Assignee: **SAMSUNG ELECTRONICS CO., LTD.**, Suwon-si (KR)
- (**) Term: **15 Years**
- (21) Appl. No.: **29/550,946**
- (22) Filed: **Jan. 8, 2016**
- (51) **LOC (10) Cl.** **14-02**
- (52) **U.S. Cl.**
USPC **D14/344**; D24/186
- (58) **Field of Classification Search**
USPC D2/623, 626, 639, 878; D8/88, 356; D10/30-39, 70, 98; D11/3, 87, 93-94, D11/200, 201, 210, 216, 218, 221, D11/230-231; D24/167, 169, 186-187
CPC G06F 1/163; G06F 1/1628; G06F 1/1626; G06F 1/1635; G06F 1/08; G06F 1/10; G06F 1/04; G06F 1/14; G06F 1/3203; A41D 1/002; H04M 1/02; H04M 1/03; H04M 1/04; H04M 1/05; H04M 1/667; Y02B 60/1217; H04B 1/385; H04B 1/3888; G06Q 20/10; G06Q 20/108; G06Q 20/12; G06Q 20/145
See application file for complete search history.

- D545,697 S * 7/2007 Martin D10/38
- D619,908 S * 7/2010 Jorst D10/32
- D640,143 S * 6/2011 Virgili D10/32
- D709,874 S * 7/2014 Aumiller D14/344
- D718,170 S * 11/2014 Aumiller D10/32
- D726,676 S * 4/2015 Park D10/38

(Continued)

OTHER PUBLICATIONS

Kingfansion Fashion Waterproof Men LED Touch Screen Day Date Silicone Wrist Watch, posted 2015, [retrieved Jan. 7, 2017]. Retrieved from Internet, <URL: <https://www.amazon.com/Kingfansion-Fashion-Waterproof-Screen-Silicone/dp/B00YABF58C> >.*

Primary Examiner — Barbara Fox

Assistant Examiner — Kristin E Reed

(74) *Attorney, Agent, or Firm* — Sughrue Mion, PLLC

(57) **CLAIM**

The ornamental design for a wearable electronic device, as shown and described.

DESCRIPTION

FIG. 1 is a top front perspective view of a wearable electronic device showing our new design;
 FIG. 2 is a bottom view thereof;
 FIG. 3 is a top view thereof;
 FIG. 4 is a rear view thereof;
 FIG. 5 is a front view thereof;
 FIG. 6 is a left view thereof;
 FIG. 7 is a right view thereof;
 FIG. 8 is a bottom front perspective view thereof showing a band portion separated from a body portion; and,
 FIG. 9 is a rear view thereof.

The dash-dash broken lines in the figures illustrate portions of the wearable electronic device that form no part of the claimed design.

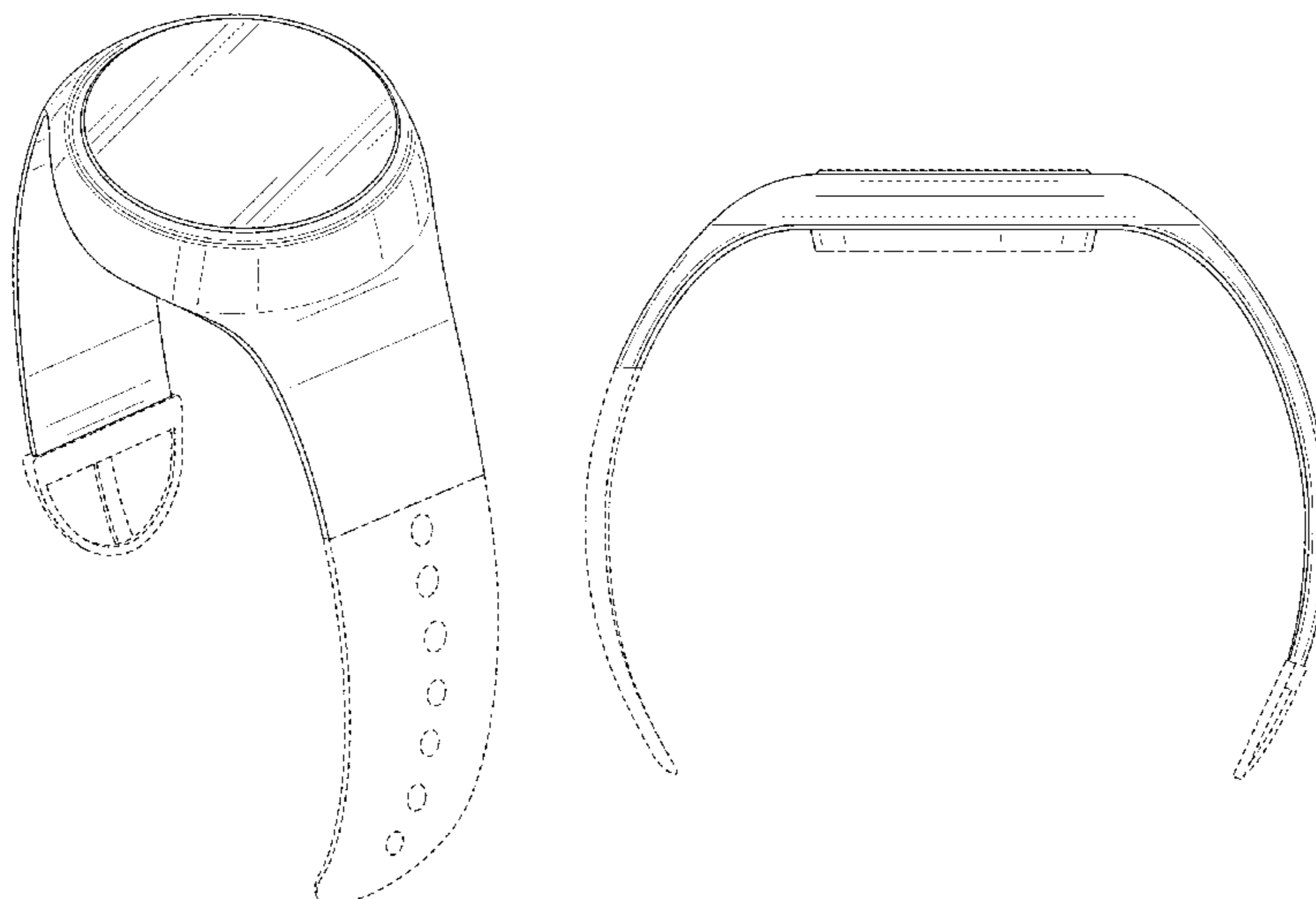
The dash-dot broken lines illustrate the bounds of the claim and form no part of the claimed design.

1 Claim, 7 Drawing Sheets

(56) **References Cited**

U.S. PATENT DOCUMENTS

- 3,492,809 A * 2/1970 Gisiger-Lusa A44C 5/14
368/282
- D351,797 S * 10/1994 White D10/15



(56)

References Cited

U.S. PATENT DOCUMENTS

D749,965 S *	2/2016	Lutgen	D10/126
D753,109 S *	4/2016	Kim	D10/38
D769,765 S *	10/2016	Tao	D11/5
D773,318 S *	12/2016	Wong	D10/32
2012/0087216 A1 *	4/2012	Keung	A44C 5/0084 368/282

* cited by examiner

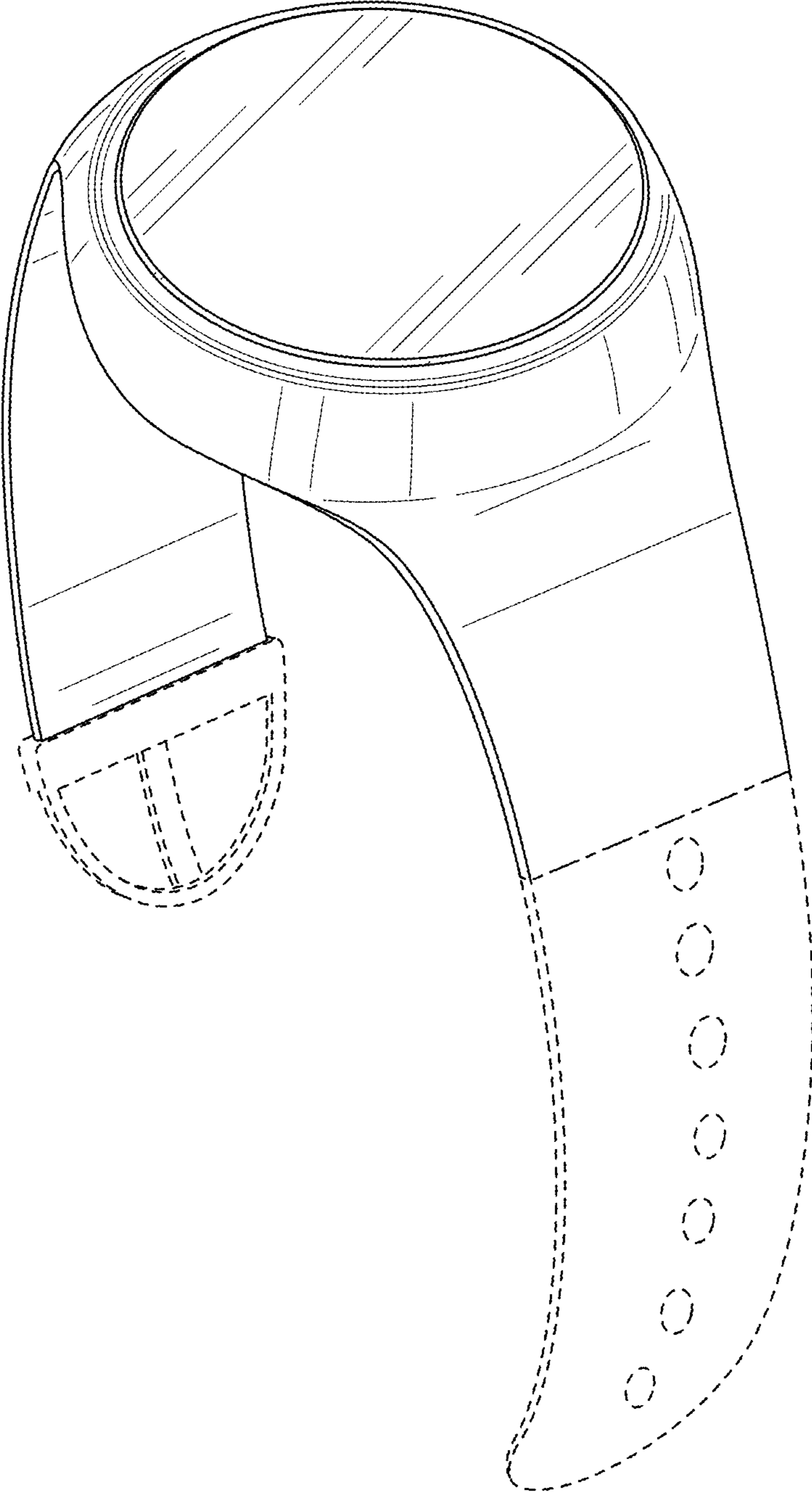


FIG. 1

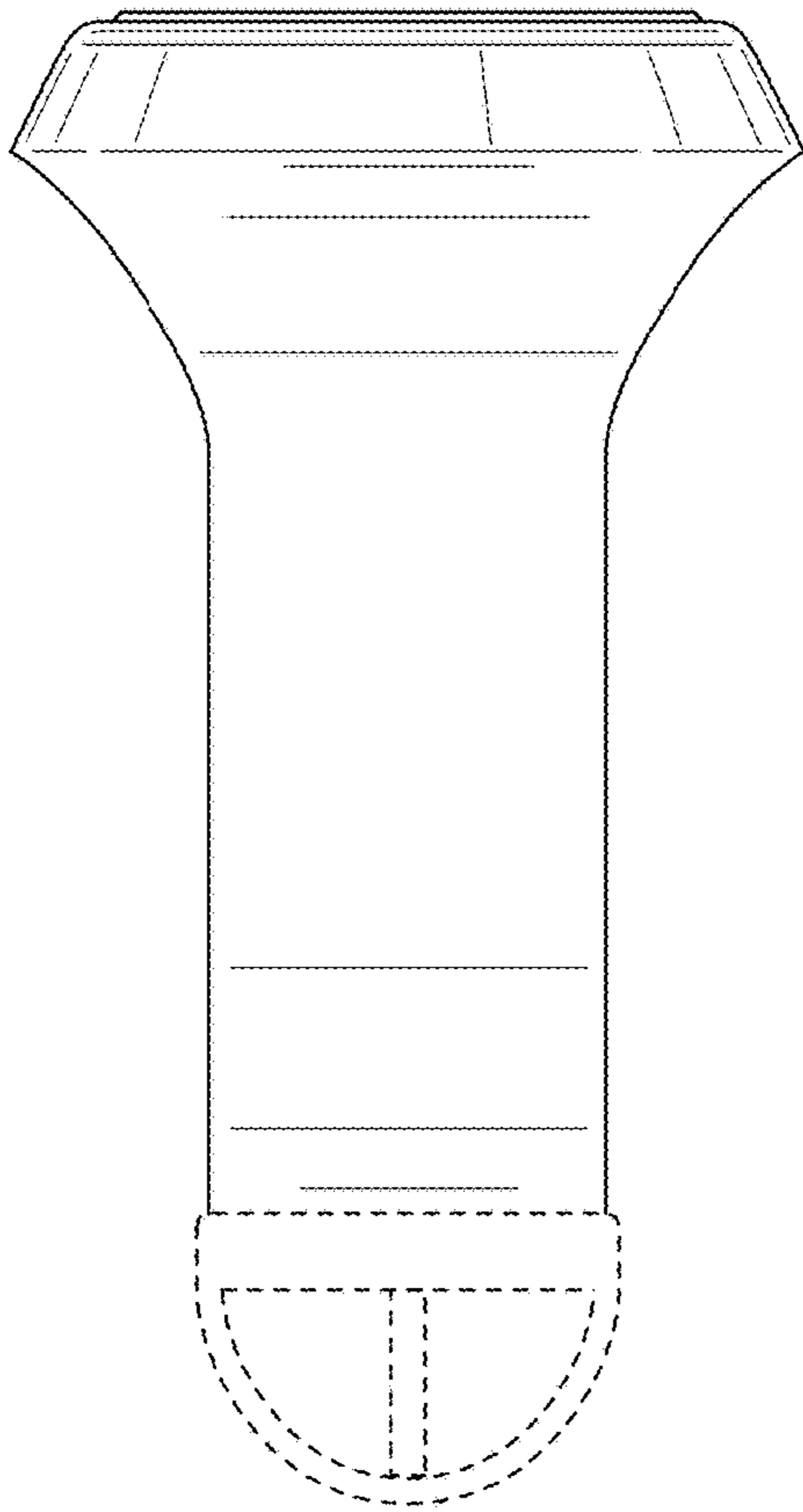


FIG. 2

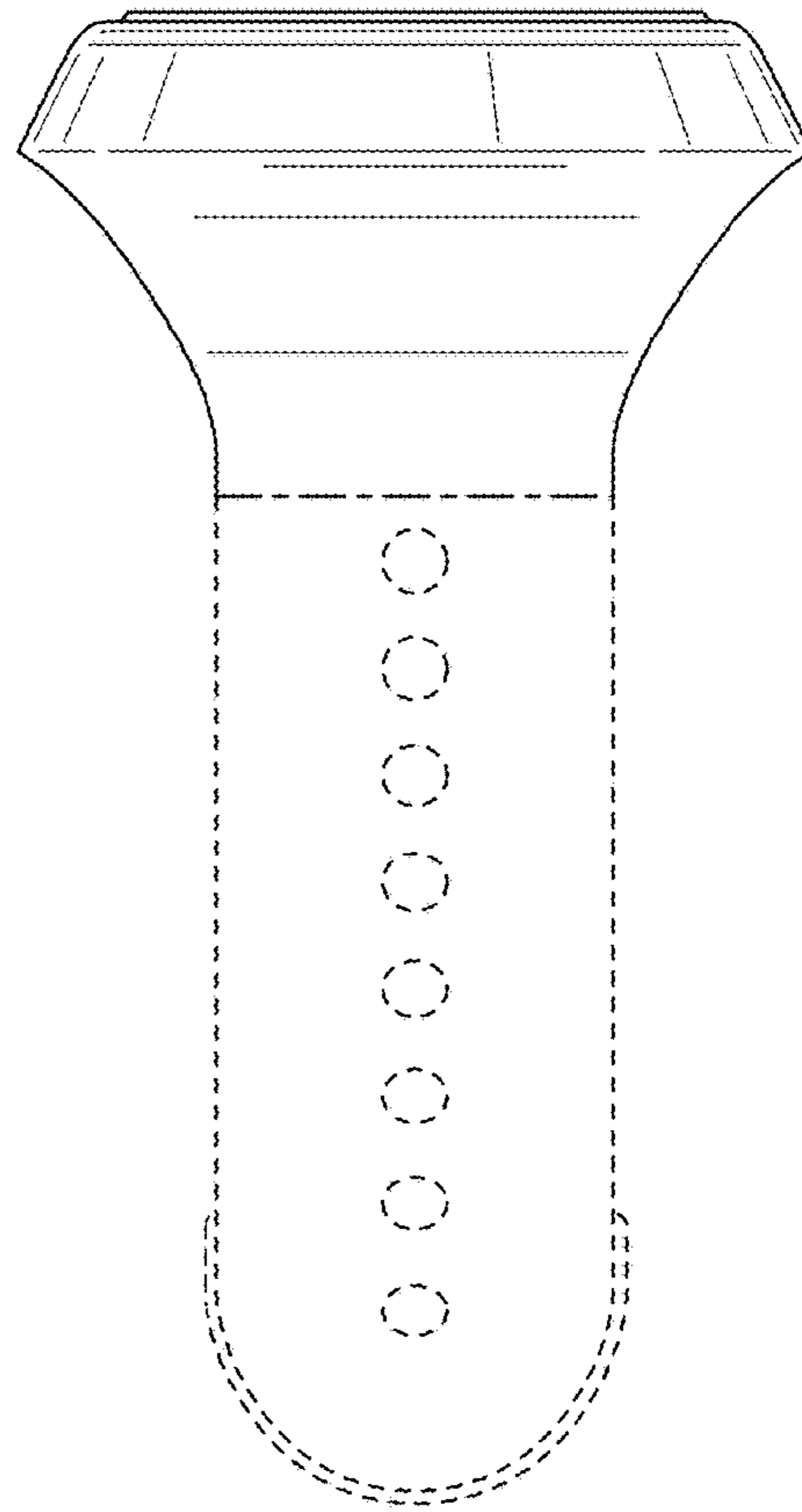


FIG. 3

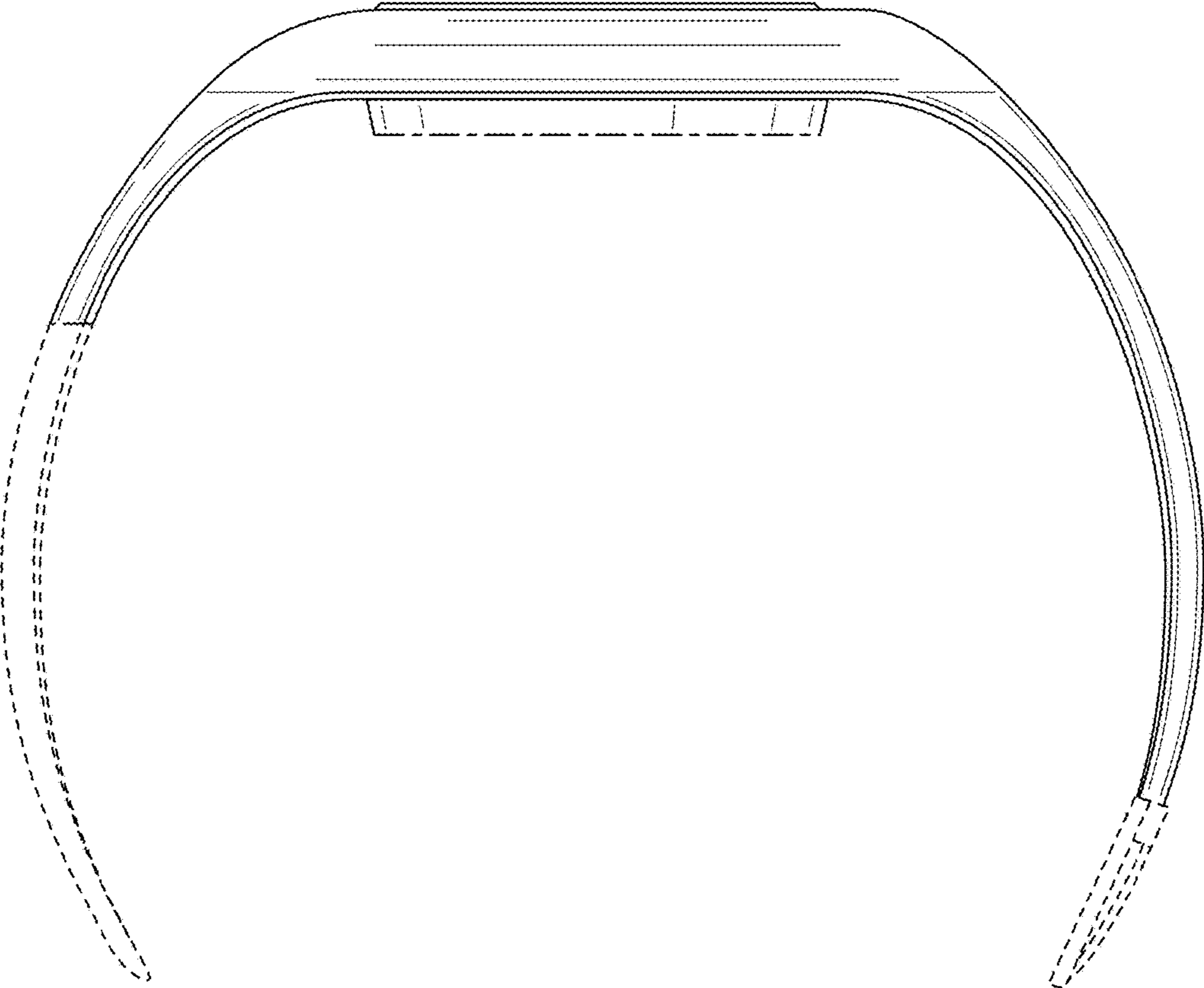


FIG. 4

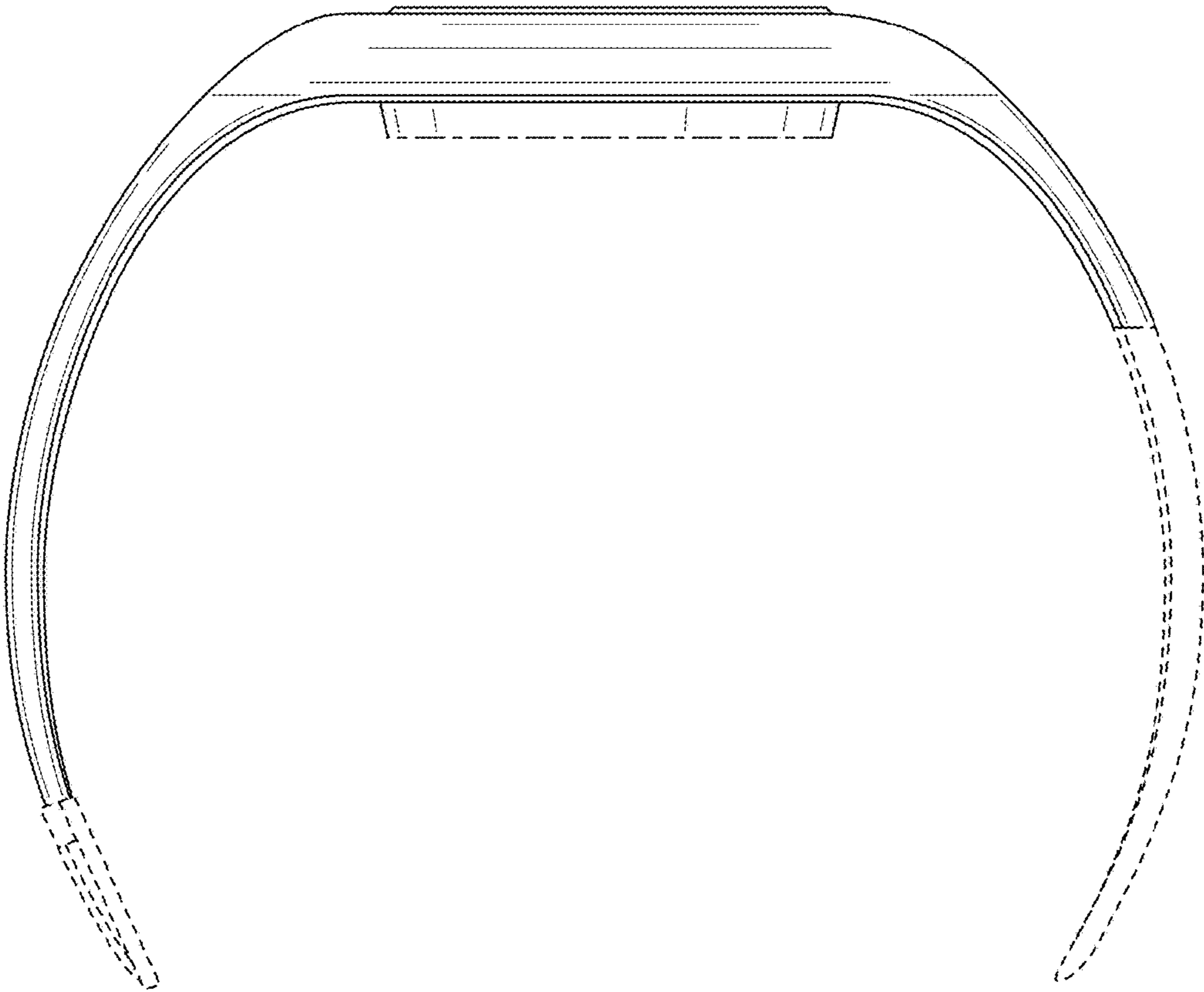


FIG. 5

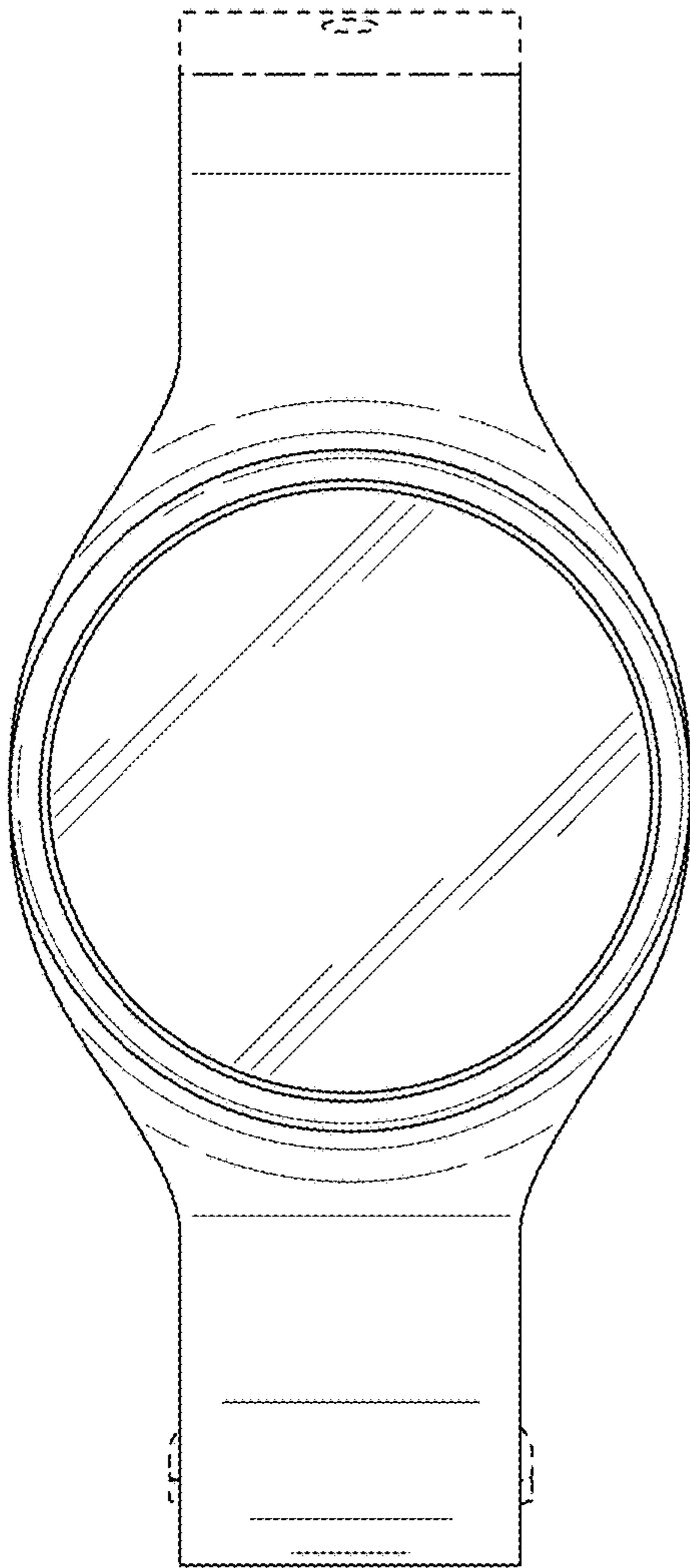


FIG. 6

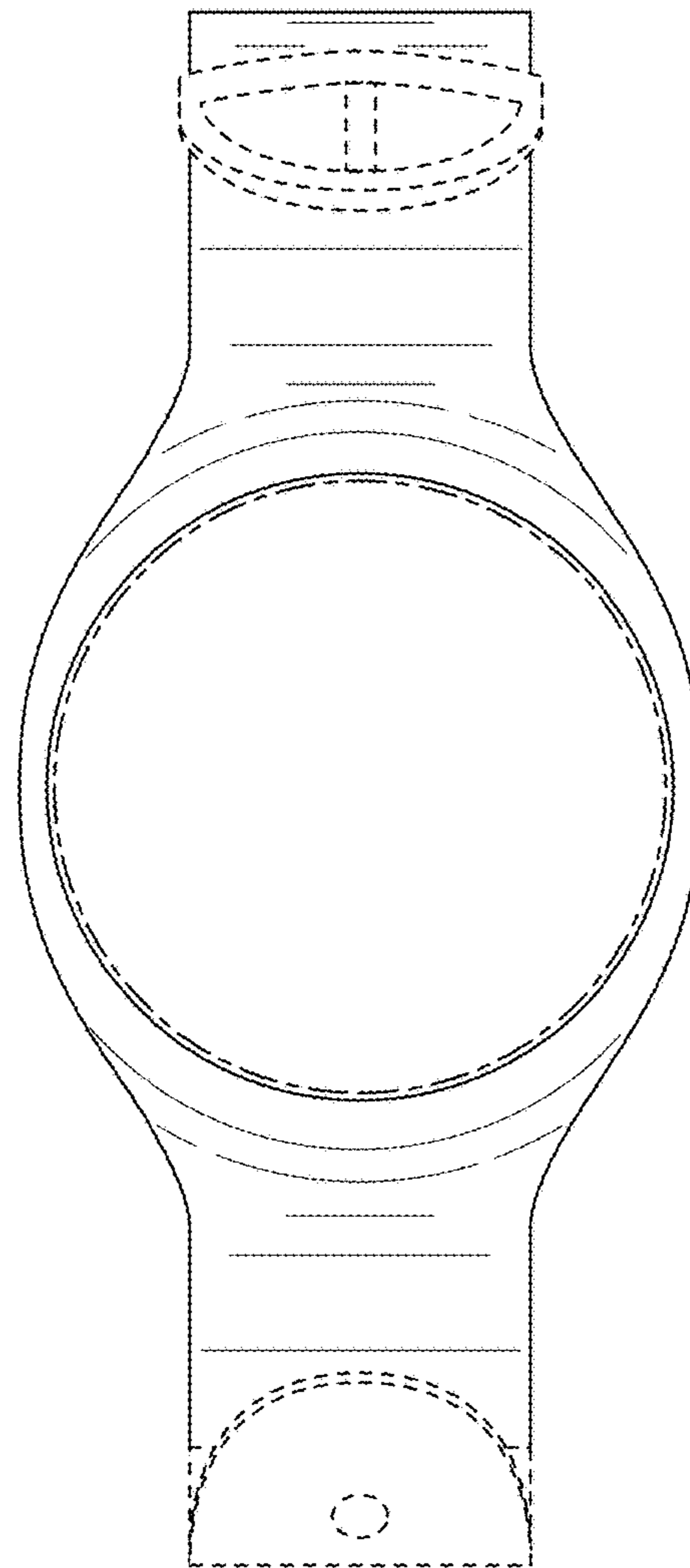


FIG. 7

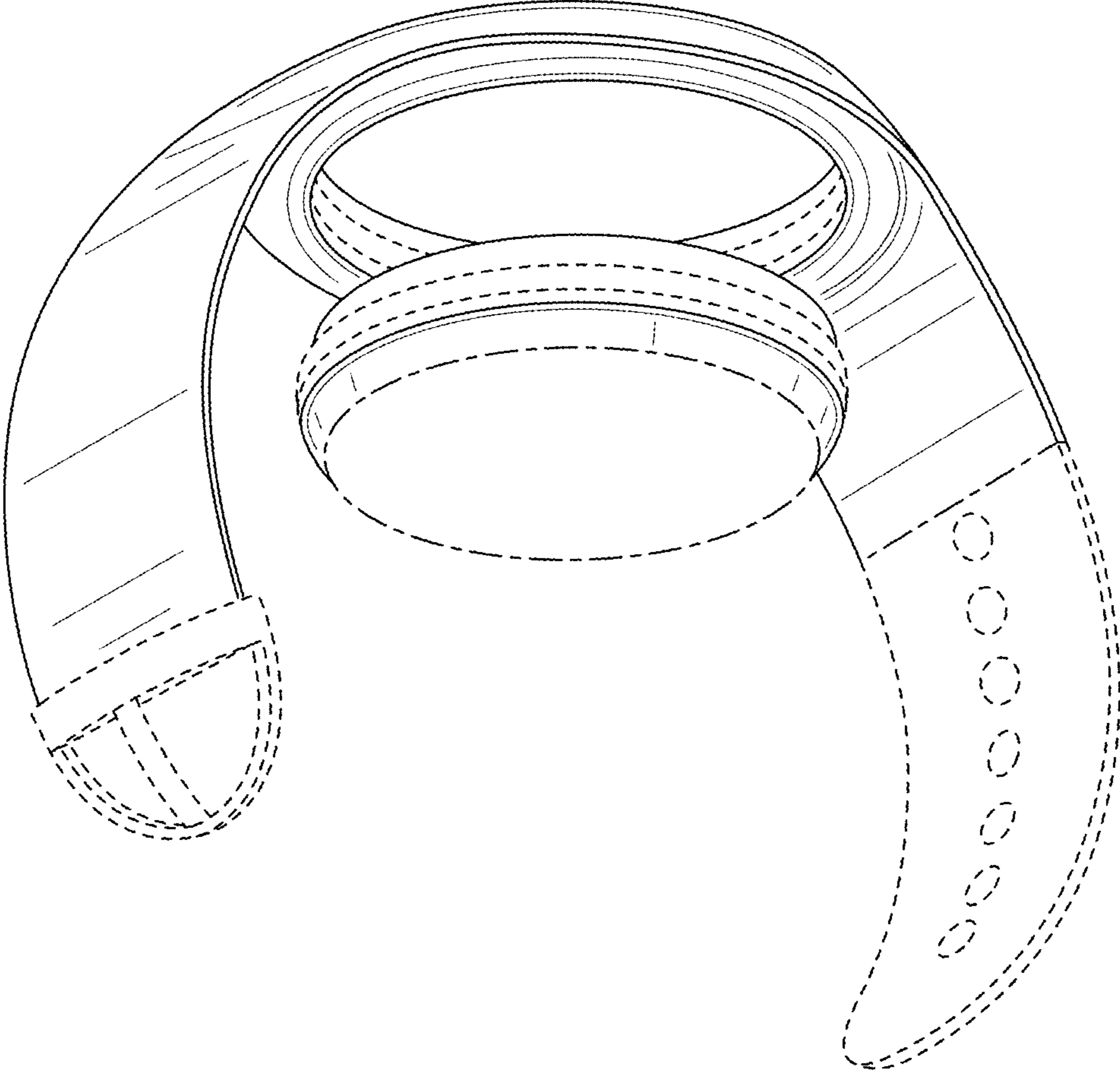


FIG. 8

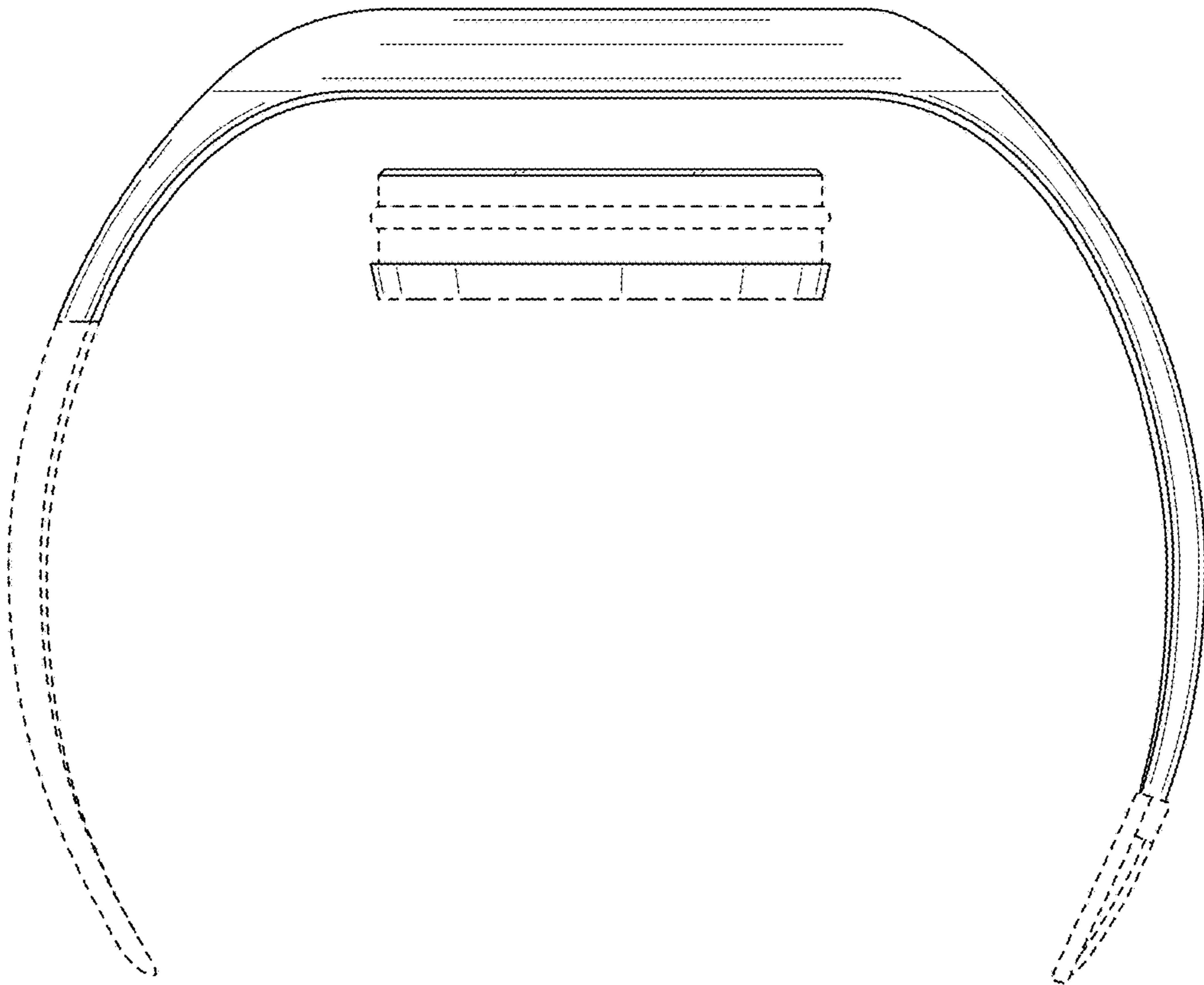


FIG. 9