



US00D795250S

(12) **United States Design Patent**
Han

(10) **Patent No.:** **US D795,250 S**

(45) **Date of Patent:** **** Aug. 22, 2017**

(54) **PORTABLE ELECTRONIC DEVICE**

(71) Applicant: **Center for Integrated Smart Sensors,**
Daejeon (KR)

(72) Inventor: **Dae Ick Han,** Daejeon (KR)

(73) Assignee: **CENTER FOR INTEGRATED**
SMART SENSORS, Daejeon (KR)

(**) Term: **14 Years**

(21) Appl. No.: **29/524,503**

(22) Filed: **Apr. 21, 2015**

(30) **Foreign Application Priority Data**

Apr. 10, 2015 (KR) 30-2015-0018477

(51) **LOC (10) Cl.** **14-02**

(52) **U.S. Cl.**
USPC **D14/344**

(58) **Field of Classification Search**

USPC D14/137, 155, 191, 203.1, 203.7, 218,
D14/144, 344, 346, 488, 450, 496, 129,
D14/130, 389; D10/30-39, 70, 65, 104.1,
D10/106.9, 125, 122-126; D11/3-5, 19,
D11/87, 93, 94, 200, 201, 216, 218, 230,
D11/231; D21/329; D24/167

CPC A61J 7/0481; A61J 2007/0436;
H01Q 1/243; H04B 1/385;
H04B 2001/3866; H04B 2001/3872;
H04B 1/3833; H04M 1/72522;
H04M 1/72527; H04M 1/7253;
H04M 1/21; G04B 47/00; G04B 45/0007;
G04B 19/065; G04B 19/04; G04B 19/06;
G04B 19/082; G04C 21/14; G04C 3/001;

(Continued)

(56) **References Cited**

U.S. PATENT DOCUMENTS

4,264,970 A * 4/1981 Nishimura G02F 1/1333
349/158

4,435,796 A * 3/1984 Saito G04G 17/06
200/5 A

(Continued)

OTHER PUBLICATIONS

iHealth, announced Sep. 28, 2013 [online], [site visited Feb. 6, 2017], Available from Internet, URL: <<https://www.amazon.com/iHealth-Wireless-Pressure-Monitor-Android/dp/B009SPTHGQ>>.*

(Continued)

Primary Examiner — Barbara Fox

Assistant Examiner — Mary C Ramirez

(74) *Attorney, Agent, or Firm* — Novick, Kim & Lee,
PLLC; Sang Ho Lee

(57) **CLAIM**

I claim the ornamental design for a portable electronic device, substantially as shown and described.

DESCRIPTION

FIG. 1 is a front perspective view of a portable electronic device in accordance with the present design;

FIG. 2 is a front elevation view of the portable electronic device of FIG. 1;

FIG. 3 is a rear elevation view of the portable electronic device of FIG. 1;

FIG. 4 is a left side elevation view of the portable electronic device of FIG. 1;

FIG. 5 is a right side elevation view of the portable electronic device of FIG. 1;

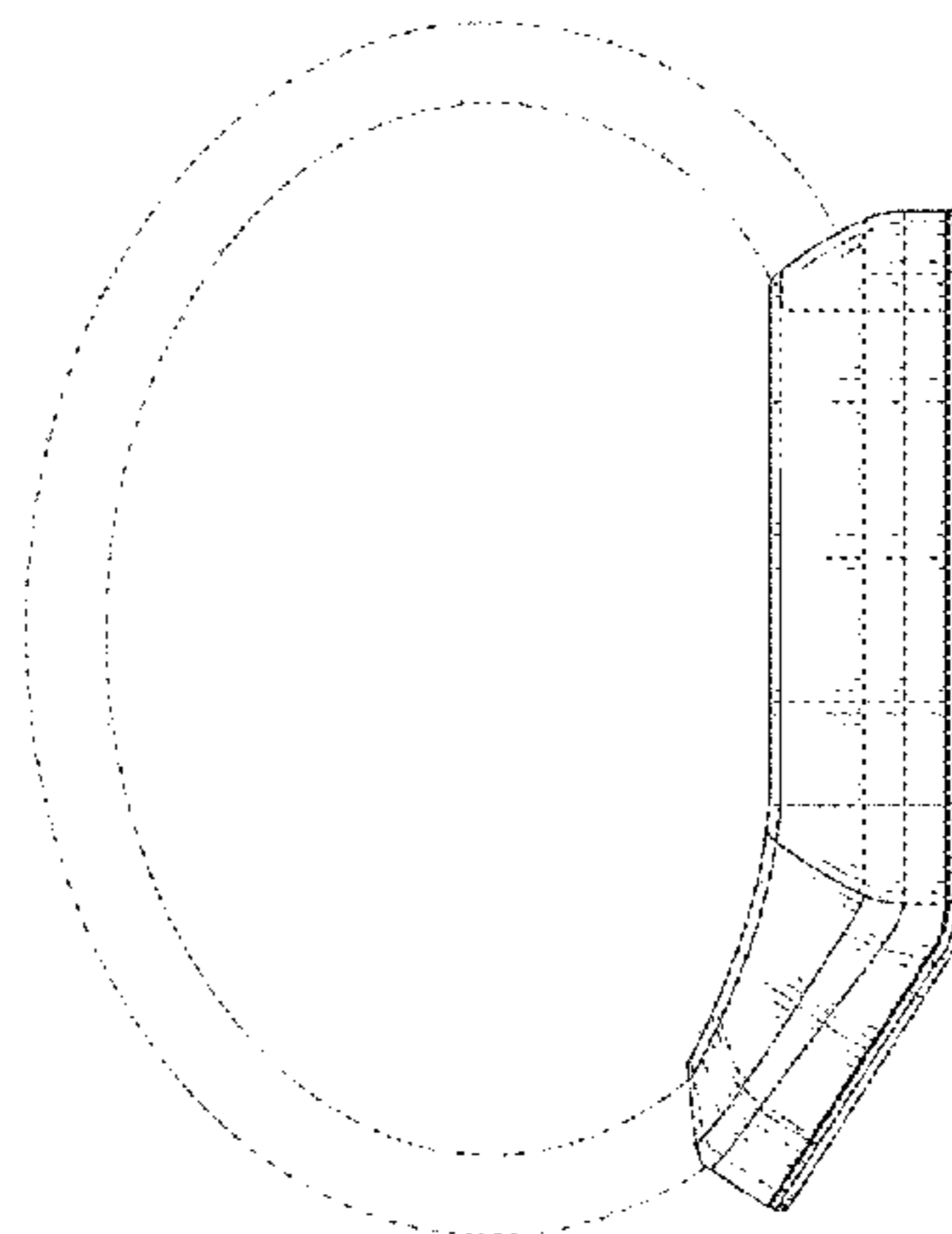
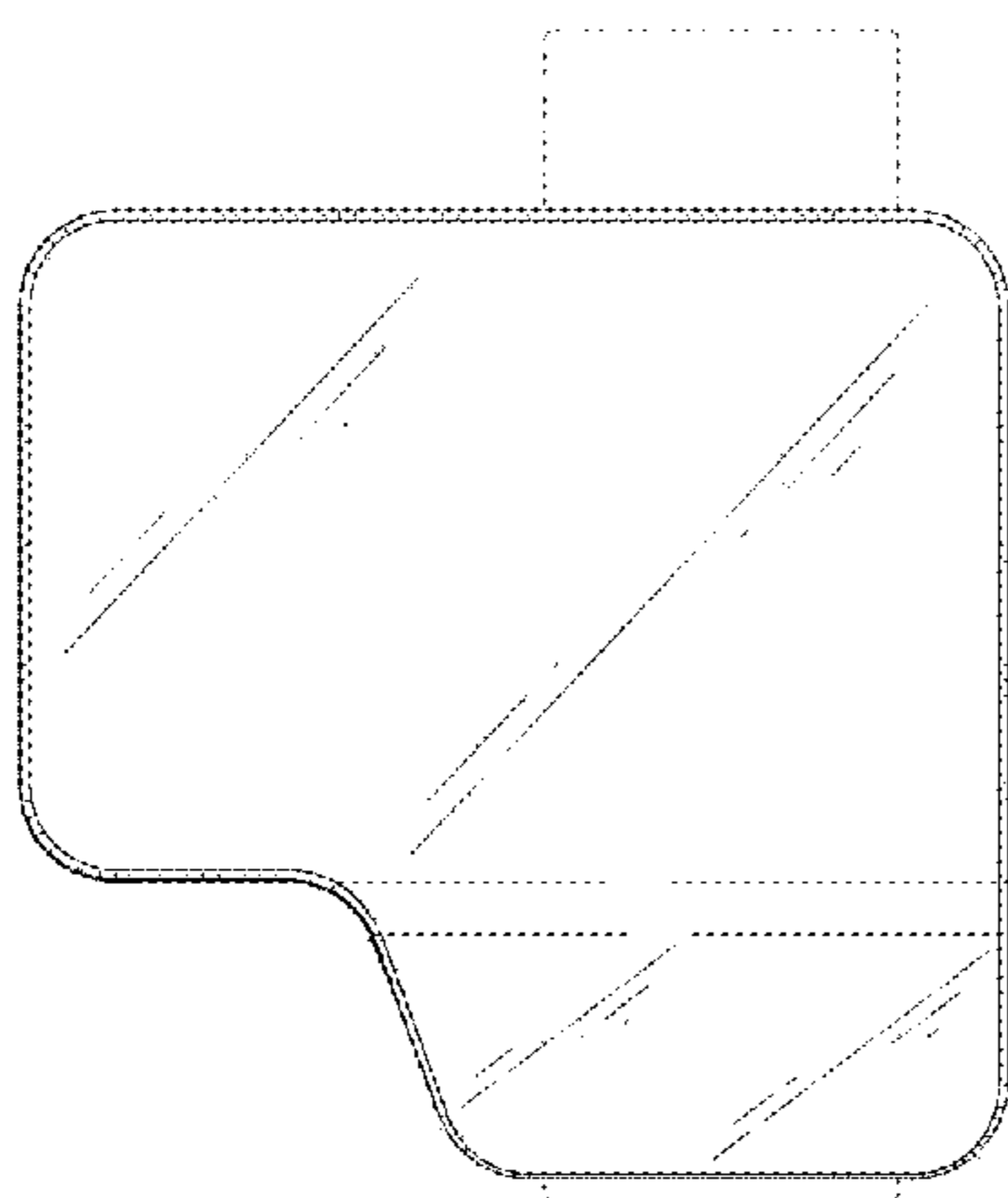
FIG. 6 is a top plan view of the portable electronic device of FIG. 1;

FIG. 7 is a bottom plan view of the portable electronic device of FIG. 1; and,

FIG. 8 is a rear perspective view of the portable electronic device of FIG. 1.

The broken lines depict portions of the portable electronic device that form no part of the claimed design.

1 Claim, 8 Drawing Sheets



(58) **Field of Classification Search**

CPC G04C 3/005; G04G 13/00; G04G 13/02;
 G04G 21/08; G04G 9/0082; G06F
 1/1626; G06F 1/1632

See application file for complete search history.

(56) **References Cited**

U.S. PATENT DOCUMENTS

D302,393	S	*	7/1989	Falconer	73/300
D390,573	S	*	2/1998	Oross	D14/137
D419,474	S	*	1/2000	Issa	D10/104.1
D498,425	S	*	11/2004	Marcucelli	D10/31
D504,340	S	*	4/2005	Concari	D10/70
D528,438	S	*	9/2006	Burton	D10/32
D546,206	S	*	7/2007	Burton	D10/38
D597,875	S	*	8/2009	Au Yeung	D10/70
D610,025	S	*	2/2010	Jarvis	D10/38
D710,898	S	*	8/2014	Aglassinger	D14/496

D725,068	S	*	3/2015	Cho	D14/138 R
D730,348	S	*	5/2015	Grifoni	D14/344
D735,711	S	*	8/2015	Kuwabara	D14/344
D741,855	S	*	10/2015	Park	D14/344
D750,622	S	*	3/2016	Chen	D10/38
9,274,555	B2	*	3/2016	Otsuka	A61B 5/02422
D753,077	S	*	4/2016	Margis	D14/126
2007/0246494	A1	*	10/2007	Kim	H04B 1/385 224/219
2015/0268852	A1	*	9/2015	Otsuka	G06F 3/0488 345/173

OTHER PUBLICATIONS

Atlas Fitness Band, announced Jan. 29, 2014 [site visited Feb. 6, 2017], Available from Internet, URL: <<http://burntech.tv/atlas-fitness-band-best-weight-training-tracker-market/>>.*

* cited by examiner

FIG. 1

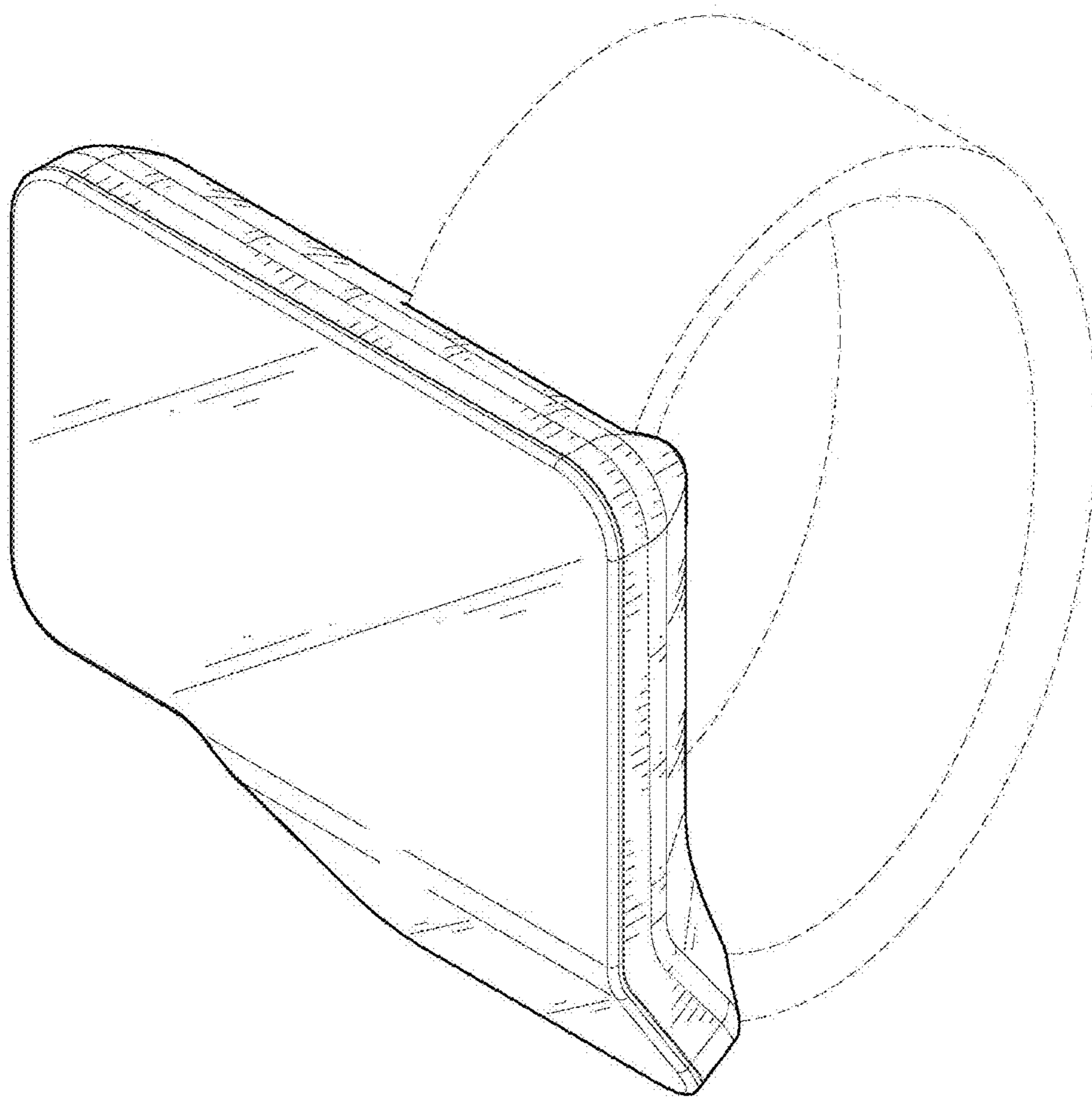


FIG. 2

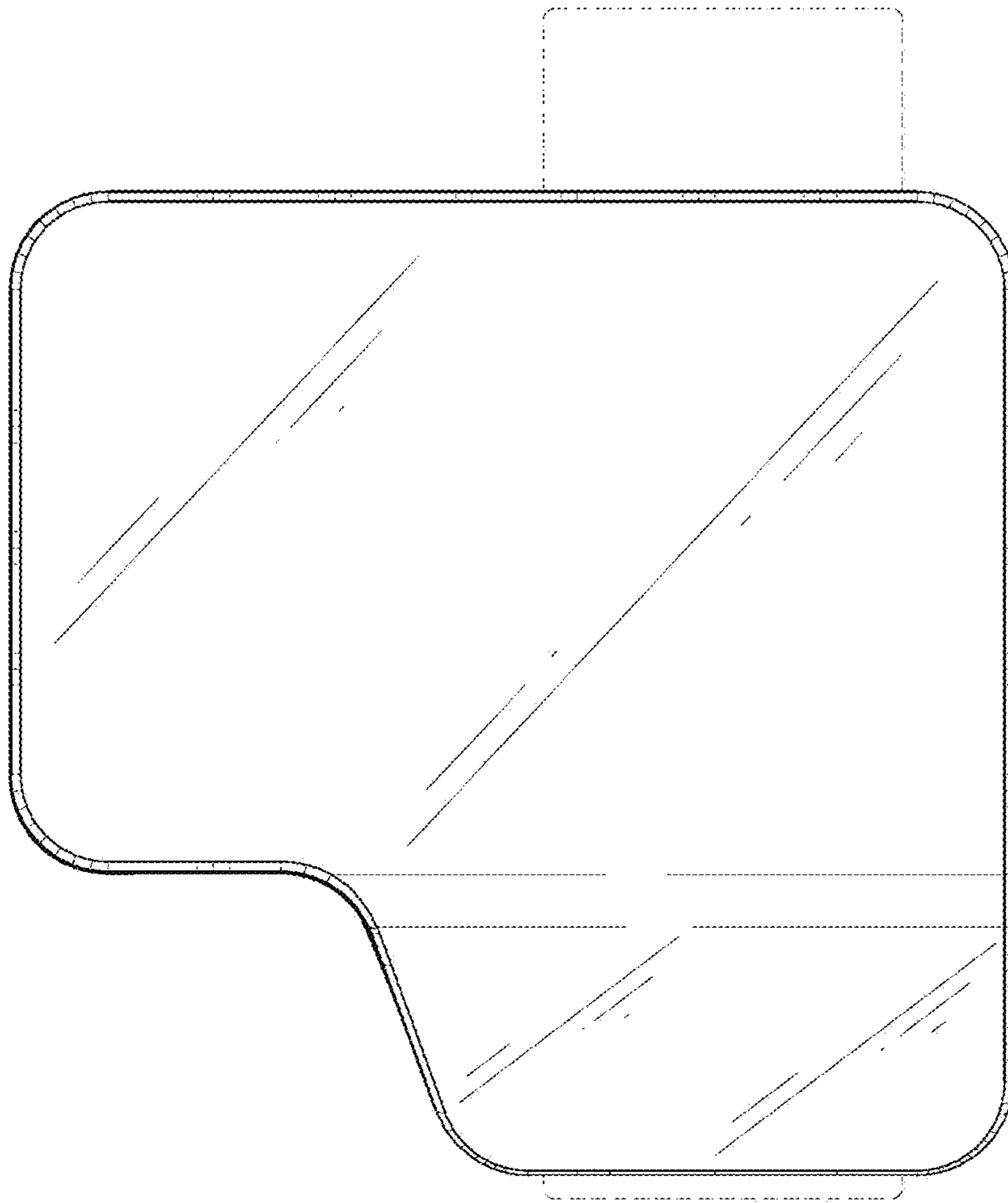


FIG. 3

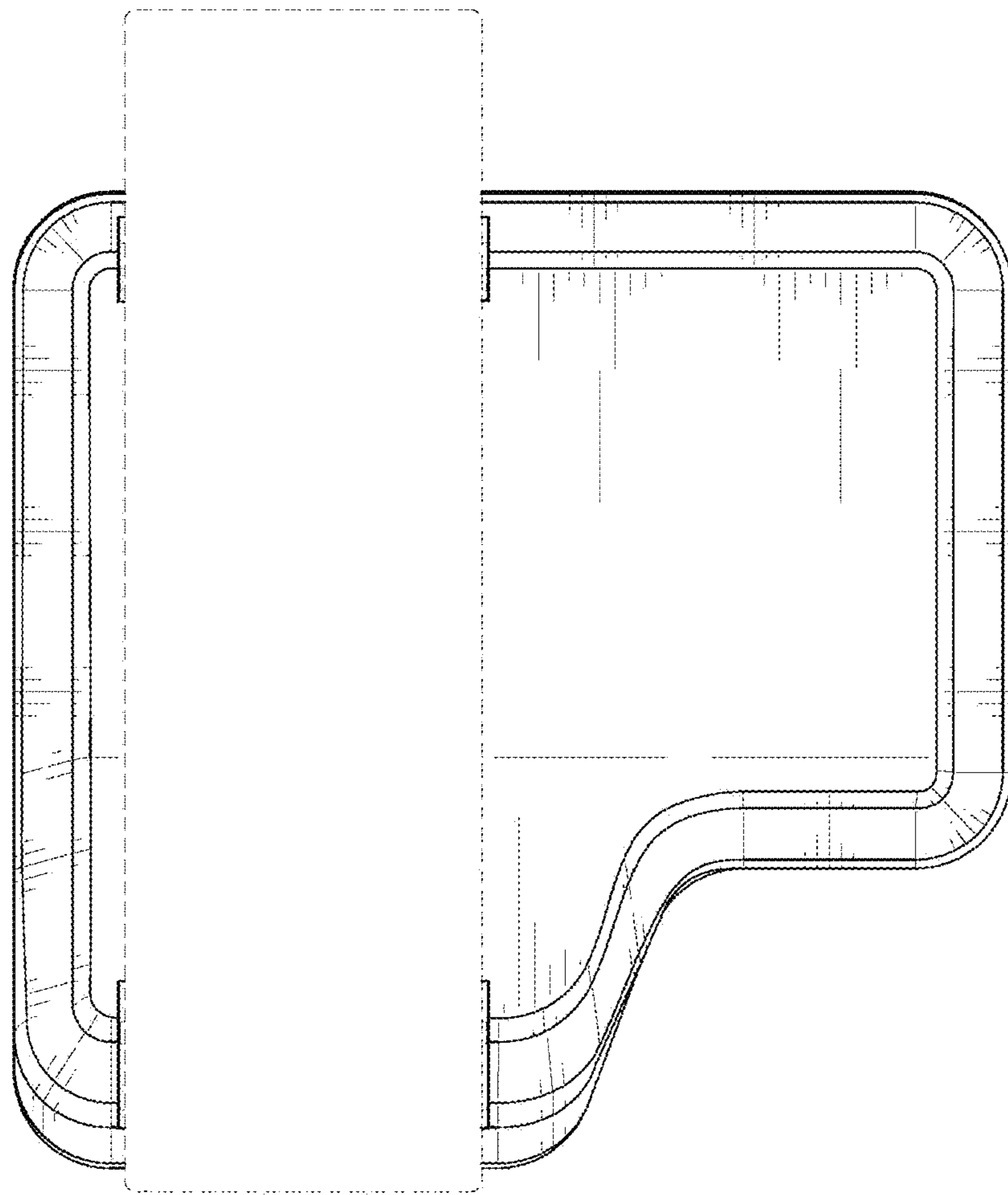


FIG. 4

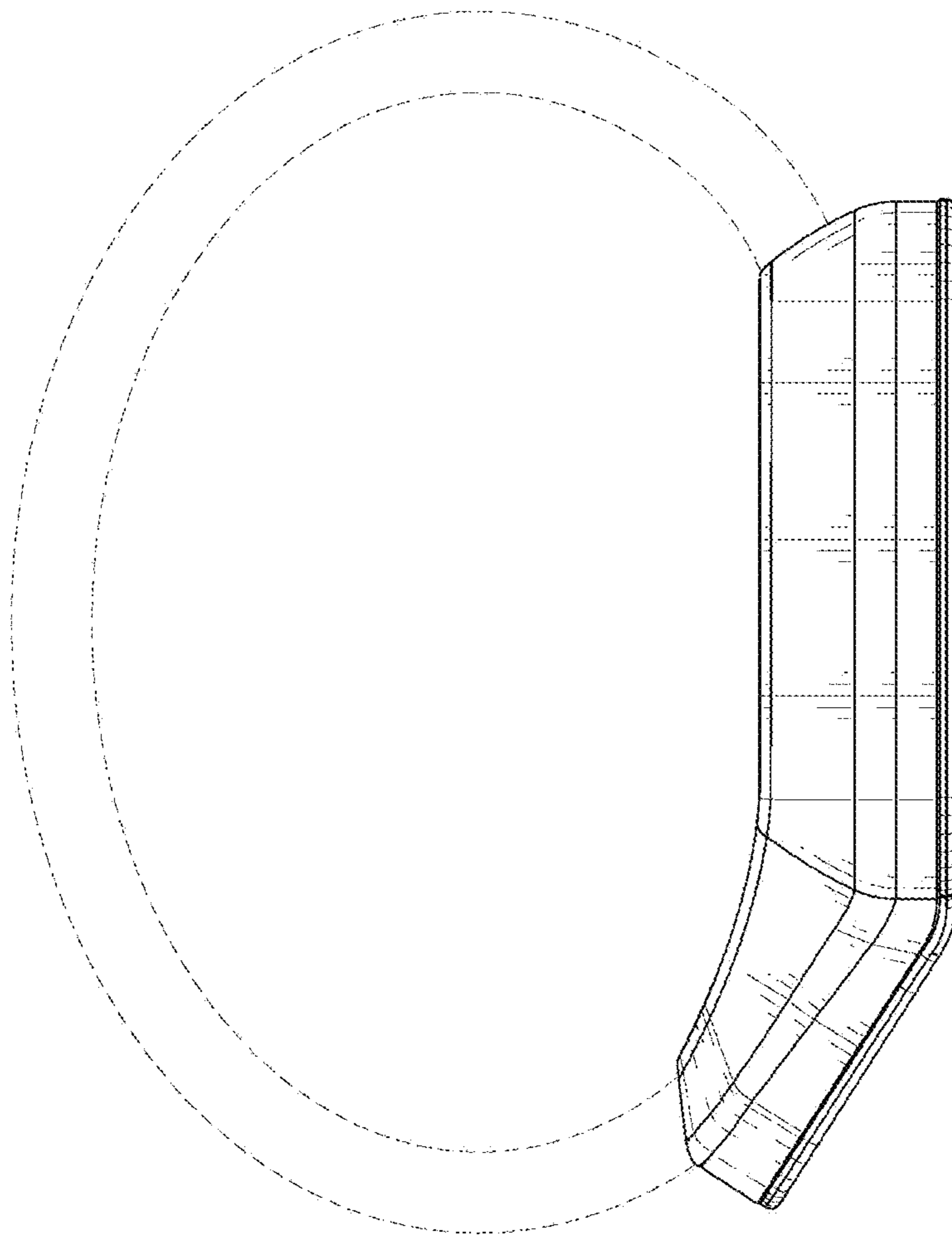


FIG. 5

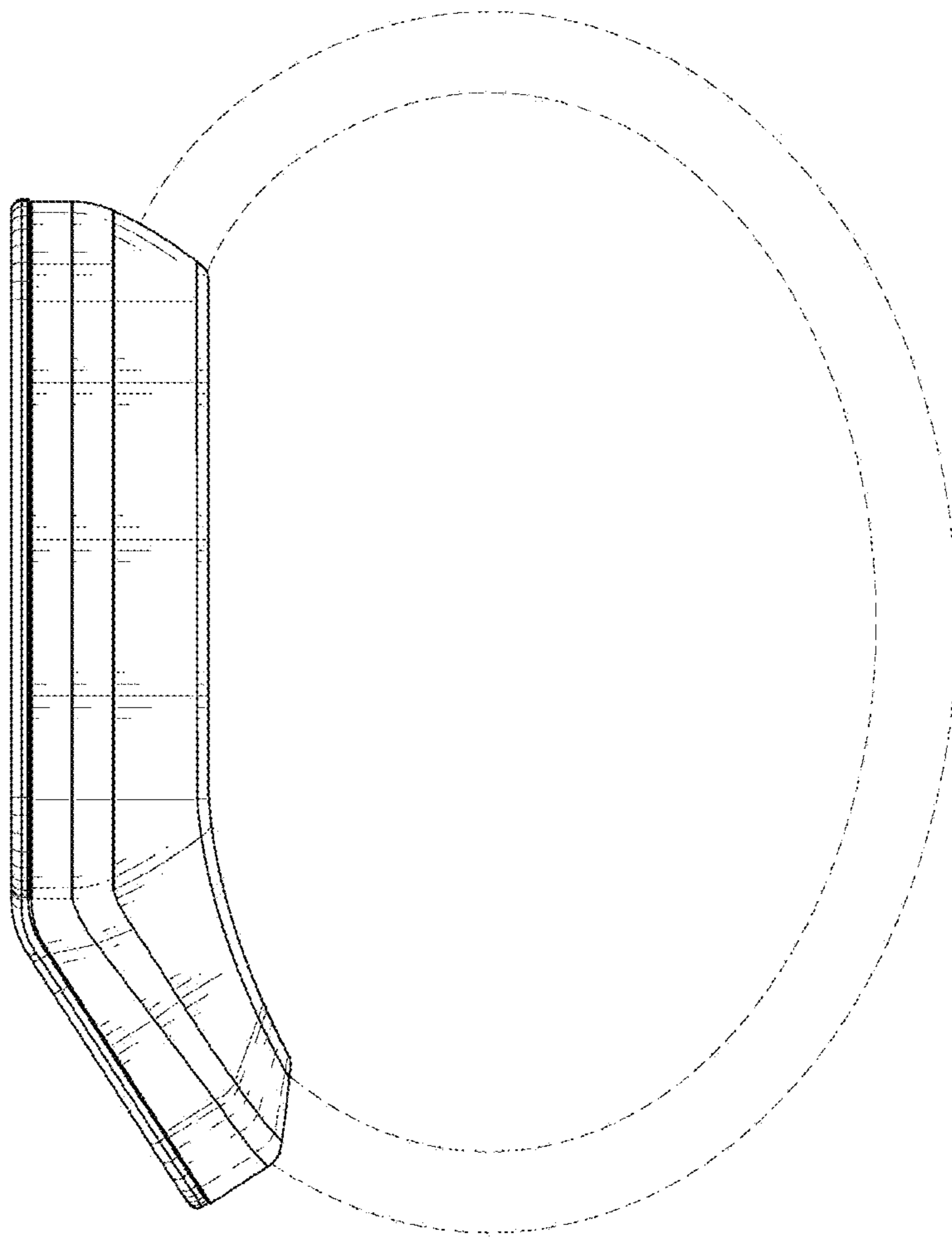


FIG. 6

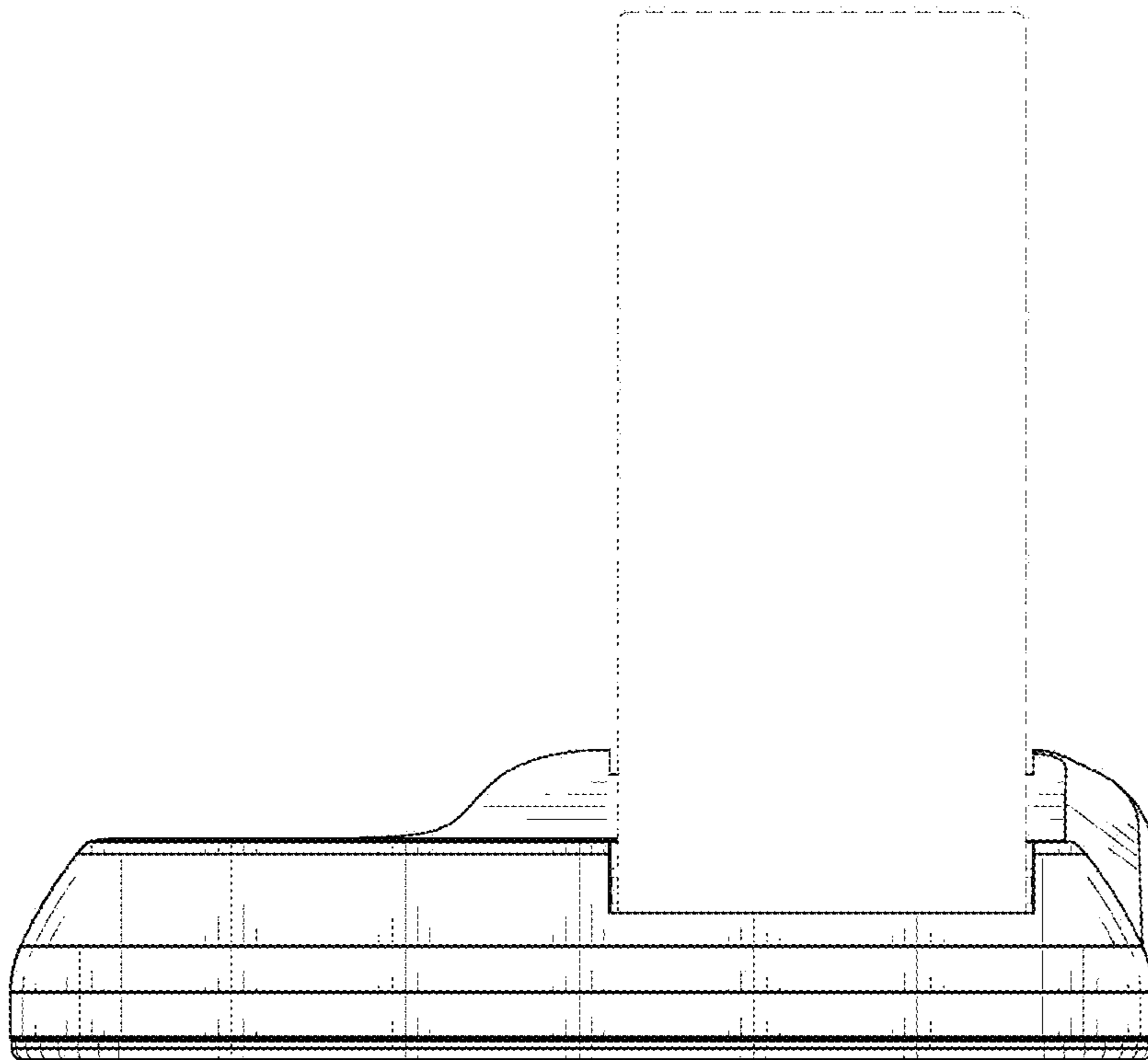


FIG. 7

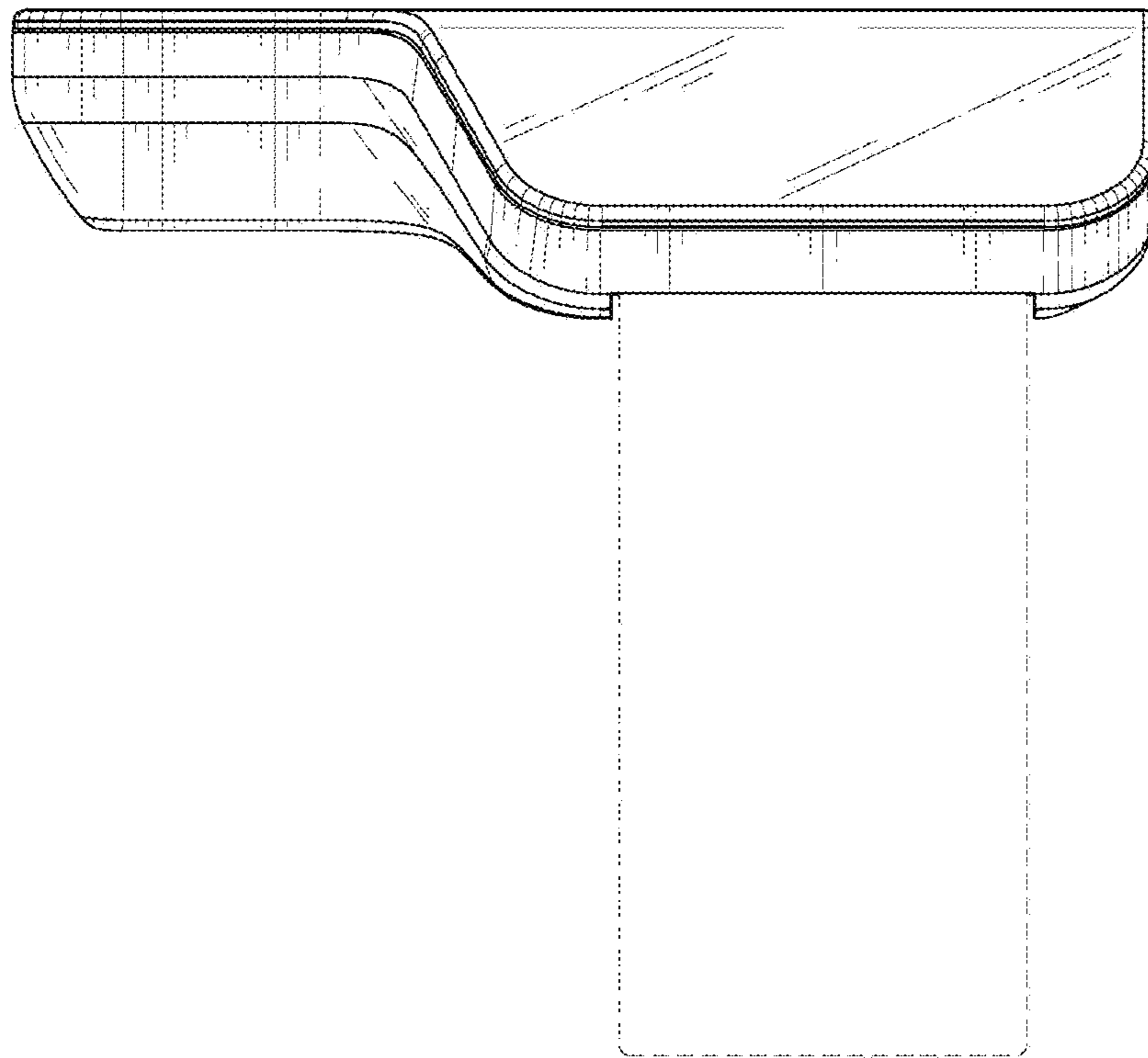


FIG. 8

