



US00D795246S

(12) **United States Design Patent** (10) **Patent No.:** **US D795,246 S**
Wang (45) **Date of Patent:** **** Aug. 22, 2017**

(54) **LAPTOP COMPUTER**

5/0226; Y10T 16/52; Y10T 16/533; Y10T 16/547; Y10T

(Continued)

(71) Applicant: **LENOVO (BEIJING) CO., LTD.,**
Beijing (CN)

(56) **References Cited**

(72) Inventor: **Ning Wang,** Beijing (CN)

U.S. PATENT DOCUMENTS

(73) Assignee: **LENOVO (BEIJING) CO., LTD.,**
Beijing (CN)

6,771,494 B2 * 8/2004 Shimano G06F 1/1616
345/173
D617,789 S * 6/2010 Akana D14/318
D664,532 S * 7/2012 Lee D14/315

(Continued)

(**) Term: **15 Years**

OTHER PUBLICATIONS

(21) Appl. No.: **29/559,647**

Lenovo (Beijing) Co. L TD.. "Laptop computer". design U.S. Appl. No. 29/559,645, filed Mar. 30, 2016, not yet published; complete specification, drawings, and filing receipt are attached hereto.

(22) Filed: **Mar. 30, 2016**

(Continued)

(30) **Foreign Application Priority Data**

Primary Examiner — Freda S Nunn

Jan. 11, 2016 (CN) 2016 3 0008194

(74) *Attorney, Agent, or Firm* — Oppedahl Patent Law Firm LLC

(51) **LOC (10) Cl.** **14-02**

(52) **U.S. Cl.**

(57) **CLAIM**

USPC **D14/315**

The ornamental design for a laptop computer, as shown and described.

(58) **Field of Classification Search**

DESCRIPTION

USPC D14/315-327; D18/1, 2, 7, 11;
235/145 A, 145 R; 341/22, 23; 345/104,
345/156, 168, 169, 173; 361/679.08,
361/679.09, 679.11, 679.26, 679.27

CPC G06F 1/16; G06F 1/1616; G06F 1/1626;
G06F 1/1632; G06F 1/1613; G06F
1/1601; G06F 1/1618; G06F 1/162; G06F
1/1679; G06F 1/1681; G06F 1/1683;
H01R 35/02; H03M 11/00; G09B 13/04;
H03K 17/94; G09G 5/00; F16M 11/10;
E05D 11/0081; E05D 3/10; E05D 11/082;
E05D 5/00; E05Y 2900/606; H05K

FIG. 1 is a front view of a laptop computer showing our new design;
FIG. 2 is a back view thereof;
FIG. 3 is a left side view thereof;
FIG. 4 is a right side view thereof;
FIG. 5 is a top view thereof;
FIG. 6 is a bottom view thereof;
FIG. 7 is a perspective view thereof;
FIG. 8 is a perspective view thereof shown in first open position;
FIG. 9 is a perspective view thereof shown in second open position;
FIG. 10 is a perspective view thereof shown in third open position; and,

(Continued)

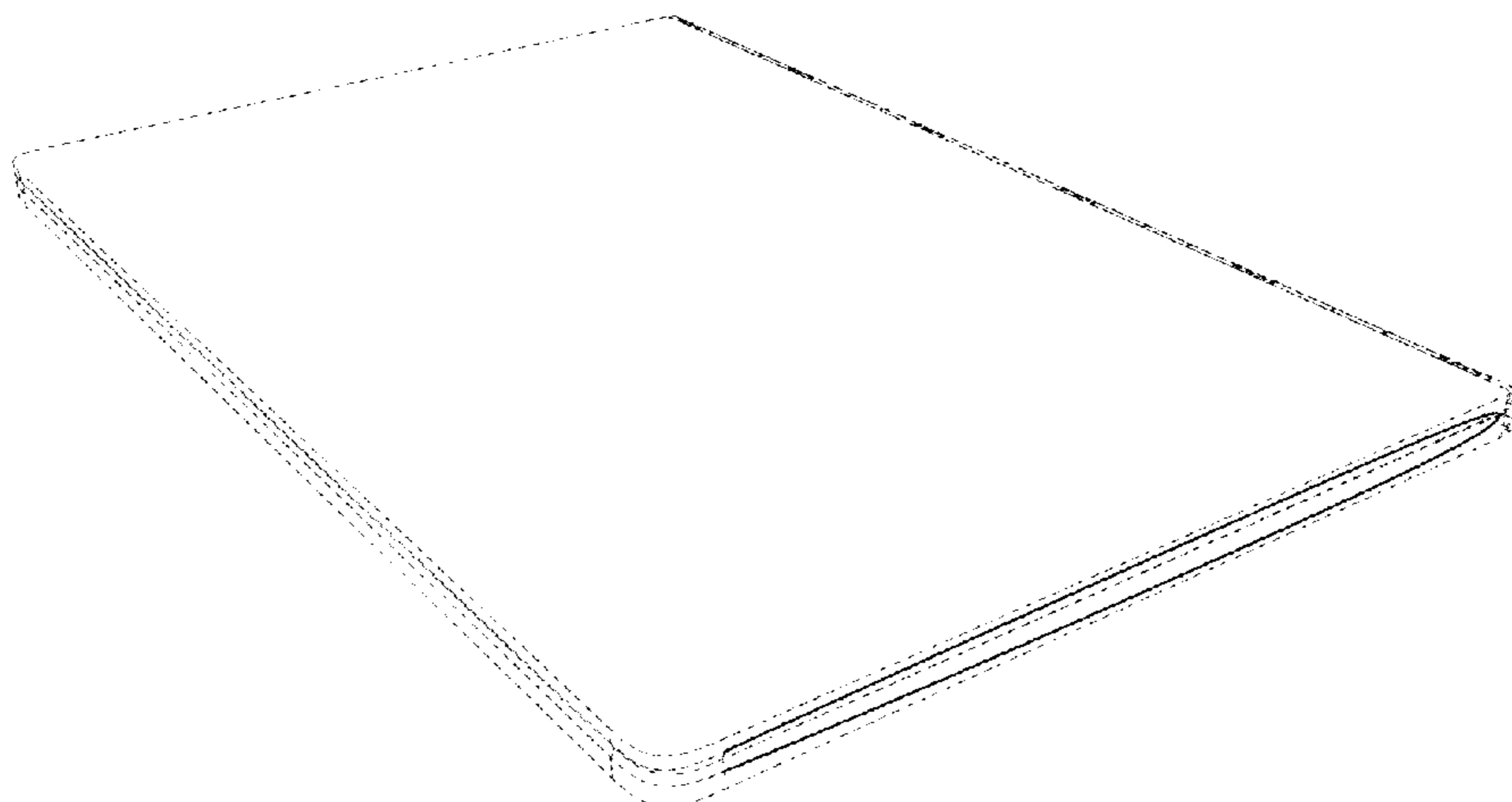


FIG. 11 is a perspective view thereof shown in fourth open position.

The features shown in broken lines in the drawings depict environmental subject matter and form no part of the claimed design.

1 Claim, 5 Drawing Sheets

(58) **Field of Classification Search**

CPC 16/5385; Y10T 16/5472; Y10T 16/5476;
Y10T 16/54038

See application file for complete search history.

(56) **References Cited**

U.S. PATENT DOCUMENTS

D697,063	S	*	1/2014	Lee	D14/315
D708,605	S	*	7/2014	Yang	D14/315
D716,793	S	*	11/2014	Lee	D14/315
D717,296	S	*	11/2014	Oh	D14/316
D723,541	S	*	3/2015	Sohn	D14/315
D723,542	S	*	3/2015	Sohn	D14/315
D729,232	S	*	5/2015	Wu	D14/341

OTHER PUBLICATIONS

Lenovo (Beijing) Co. L TD.. "Laptop computer". design U.S. Appl. No. 29/559,652, filed Mar. 30, 2016, not yet published; complete specification, drawings, and filling receipt are attached hereto.

* cited by examiner

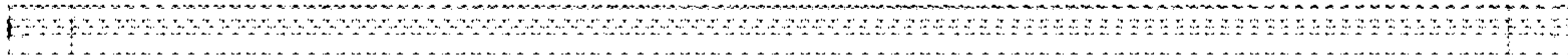


Fig. 1

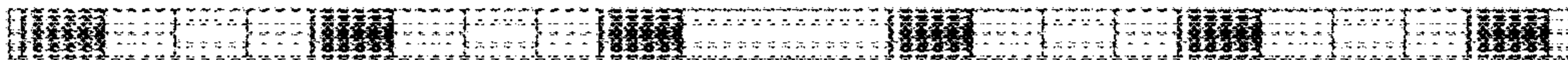


Fig. 2

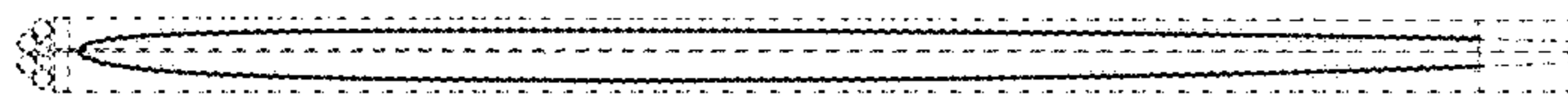


Fig. 3

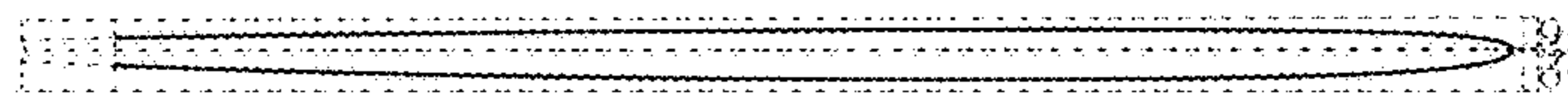


Fig. 4

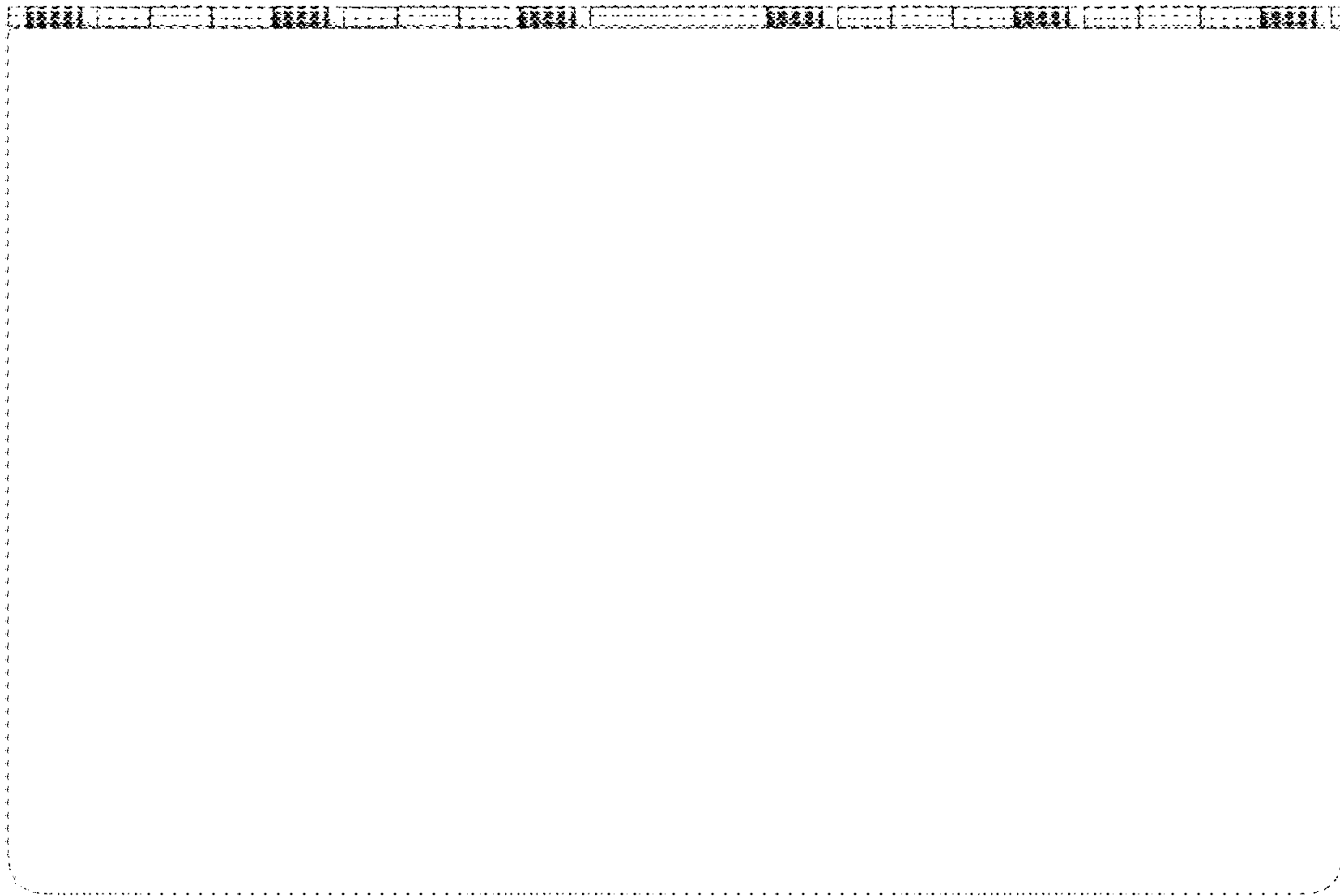


Fig. 5

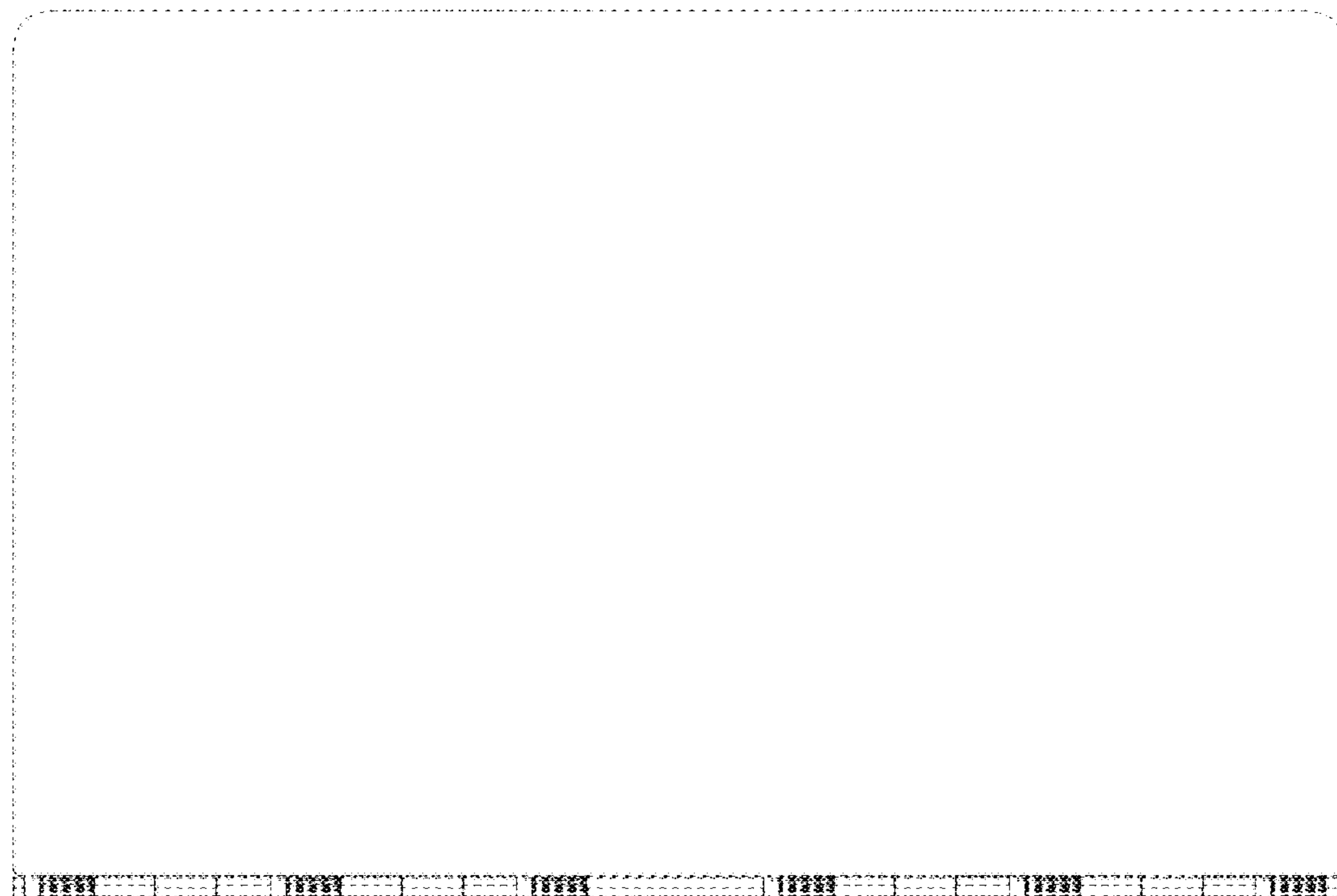


Fig. 6

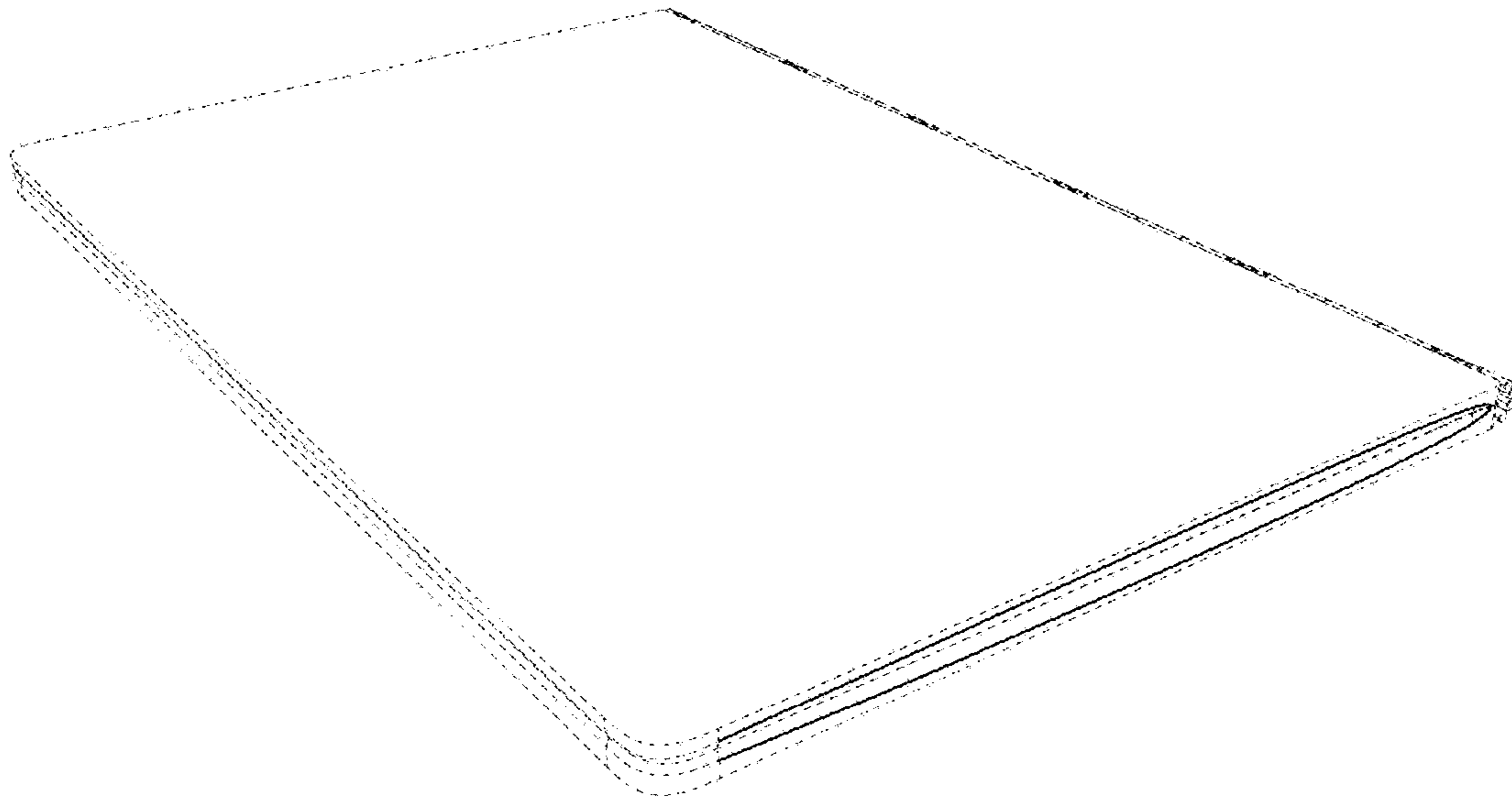


Fig. 7

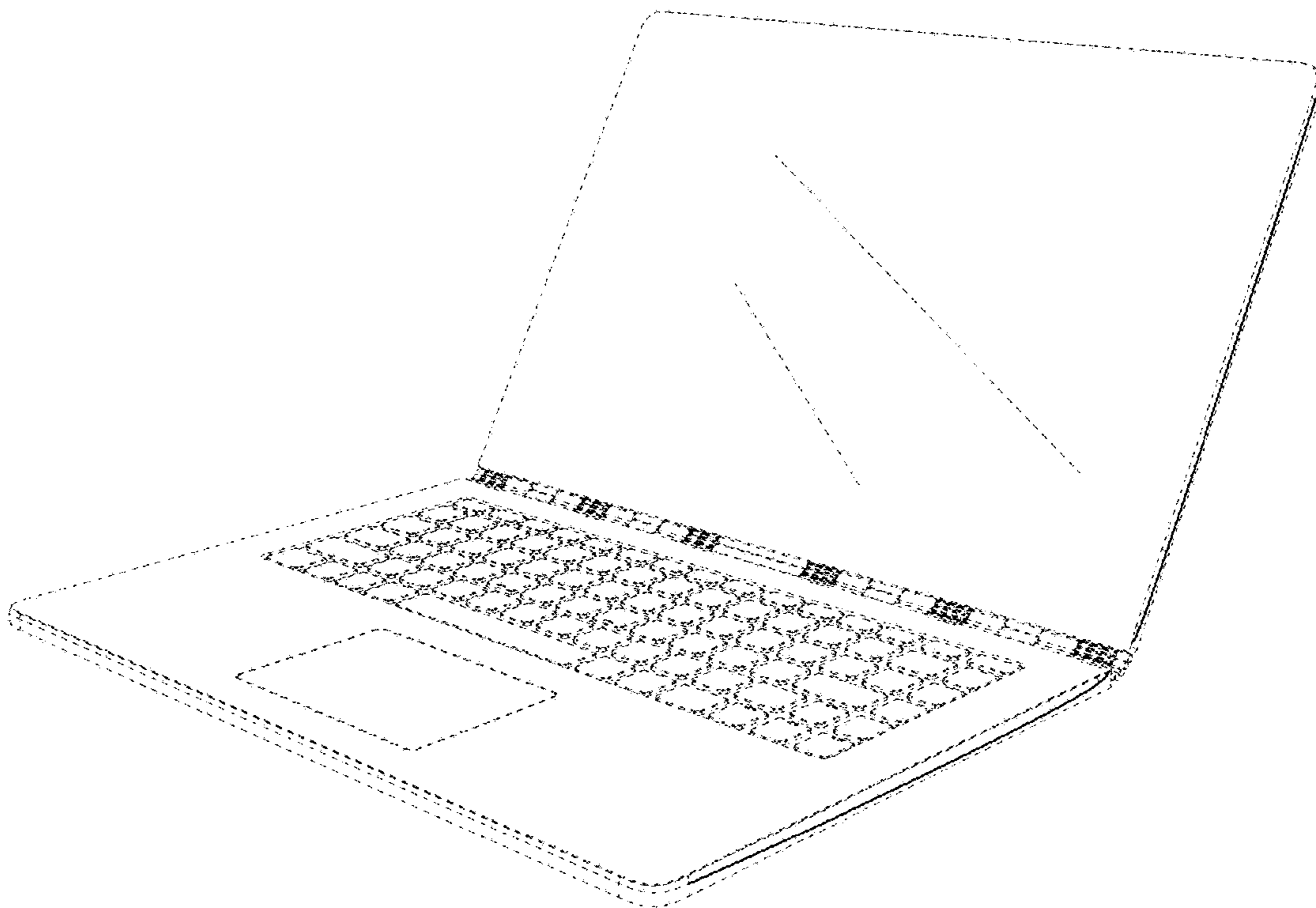


Fig. 8

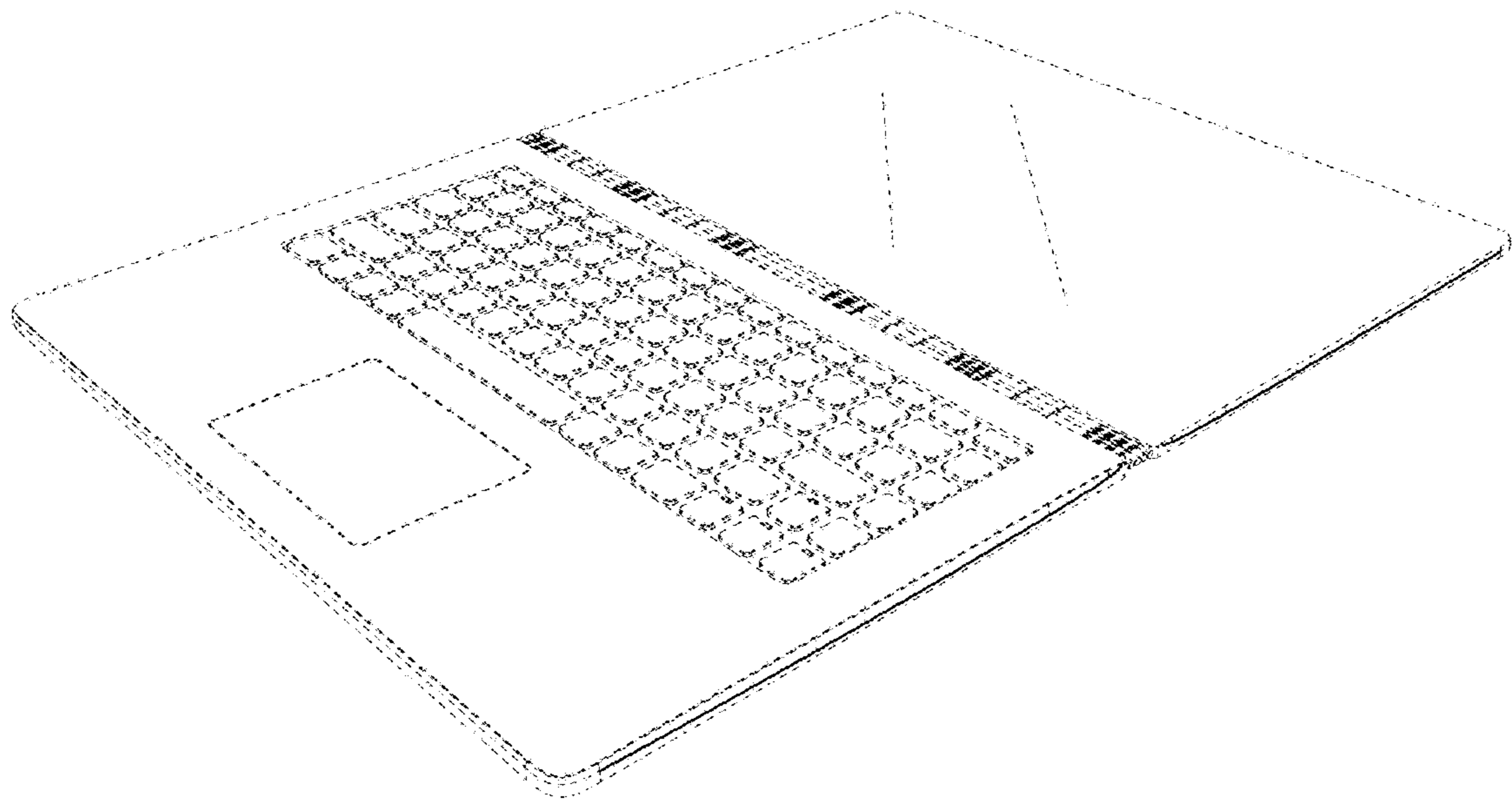


Fig. 9

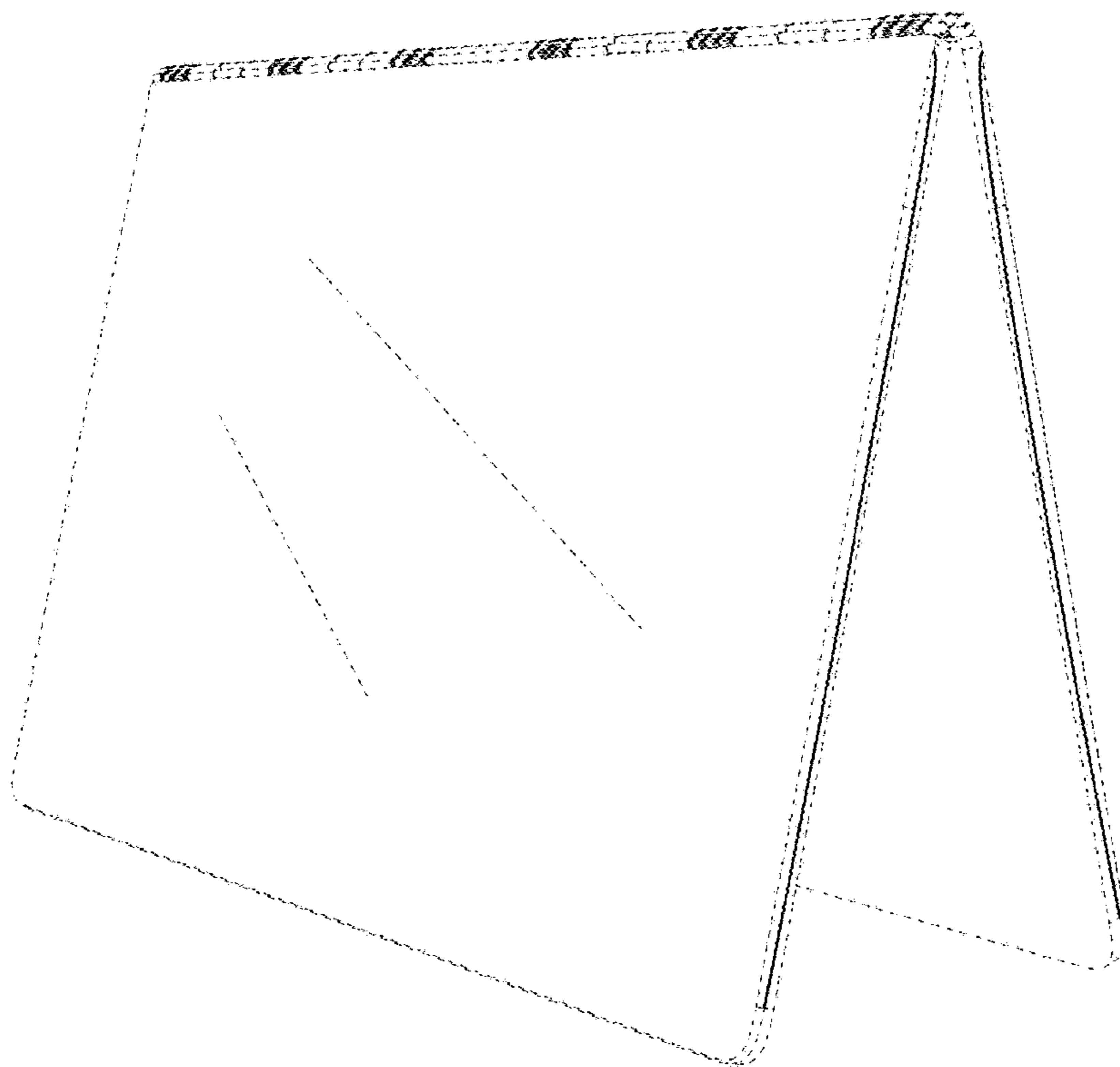


Fig. 10

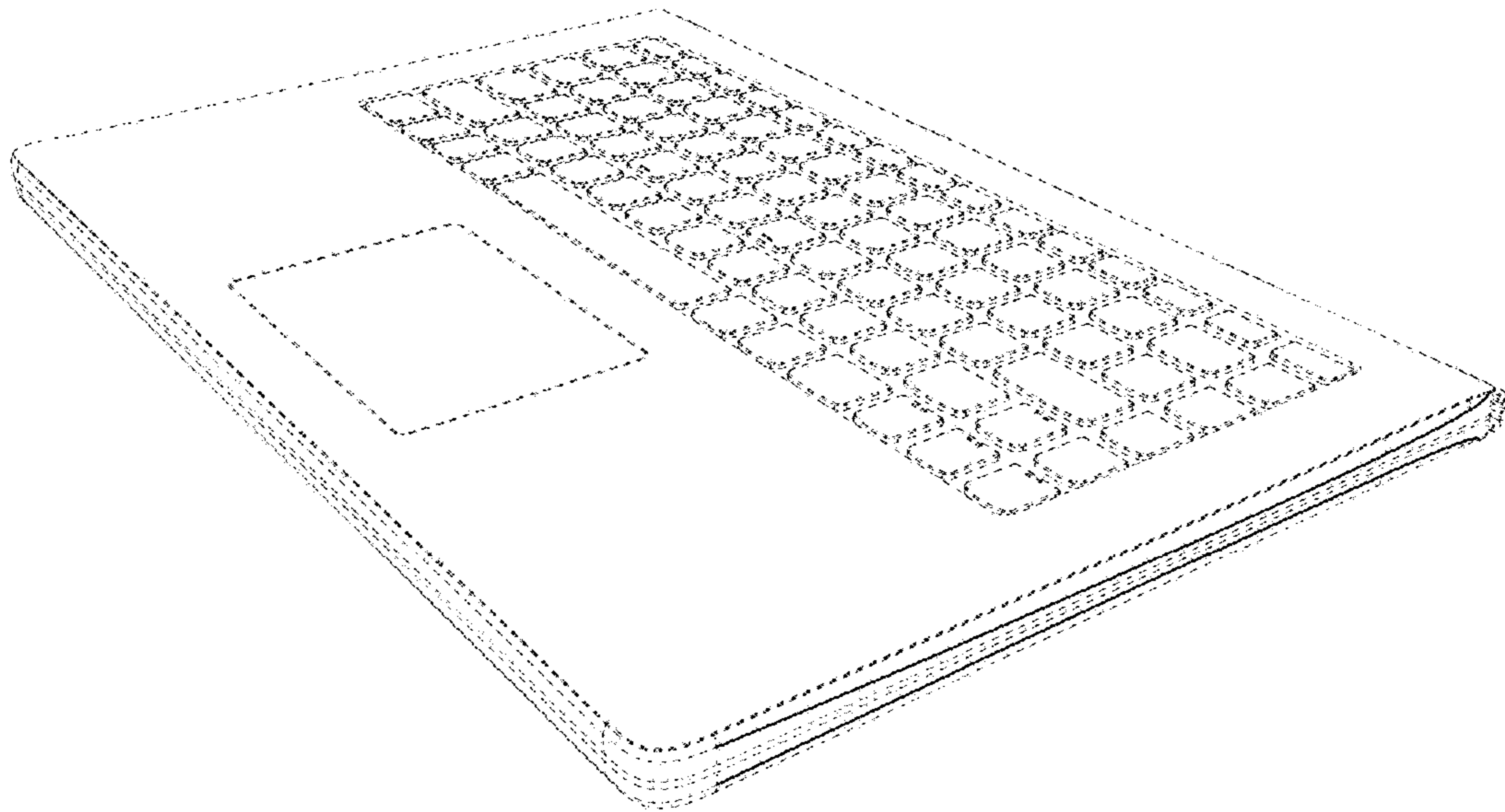


Fig. 11