



US00D795242S

(12) **United States Design Patent**
Birgeoglu

(10) **Patent No.:** **US D795,242 S**

(45) **Date of Patent:** **** Aug. 22, 2017**

(54) **KIOSK**

(71) Applicant: **Zivelo, Inc.**, Scottsdale, AZ (US)

(72) Inventor: **Zubair Birgeoglu**, Scottsdale, AZ (US)

(73) Assignee: **Zivelo, Inc.**, Scottsdale, AZ (US)

(**) Term: **14 Years**

(21) Appl. No.: **29/513,992**

(22) Filed: **Jan. 7, 2015**

Related U.S. Application Data

(62) Division of application No. 29/432,551, filed on Sep. 17, 2012, now Pat. No. Des. 723,025.

(51) **LOC (10) Cl.** **14-02**

(52) **U.S. Cl.**
USPC **D14/307**

(58) **Field of Classification Search**
USPC D14/307, 306, 305, 304, 303, 302, 900,
D14/901, 902; D13/163, 162; D20/10;
(Continued)

(56) **References Cited**

U.S. PATENT DOCUMENTS

D327,766 S 7/1992 Swaine et al.
D350,566 S 9/1994 Pearson
(Continued)

FOREIGN PATENT DOCUMENTS

KR 30-0567152 7/2010

Primary Examiner — Robert M Spear
Assistant Examiner — Kendra L Hamilton

(74) *Attorney, Agent, or Firm* — Mintz Levin Cohn Ferris Glovsky and Popeo, P.C.

(57) **CLAIM**

The ornamental design for a kiosk, as shown and described.

DESCRIPTION

FIG. 1 is a top, front, and right side perspective of an embodiment of a kiosk embodying my new design.

FIG. 2 is a top, back, and right side perspective of the embodiment of FIG. 1.

FIG. 3 is a front view of the embodiment of FIG. 1.

FIG. 4 is a back view of the embodiment of FIG. 1.

FIG. 5 is a right side view of the embodiment of FIG. 1.

FIG. 6 is a left side view of the embodiment of FIG. 1.

FIG. 7 is a top view of the embodiment of FIG. 1.

FIG. 8 is a bottom view of the embodiment of FIG. 1.

FIG. 9 is a top, front, and right side perspective of another embodiment of a kiosk embodying my new design.

FIG. 10 is a top, back, and right side perspective of the embodiment of FIG. 9.

FIG. 11 is a front view of the embodiment of FIG. 9.

FIG. 12 is a back view of the embodiment of FIG. 9.

FIG. 13 is a right side view of the embodiment of FIG. 9.

FIG. 14 is a left side view of the embodiment of FIG. 9.

FIG. 15 is a top view of the embodiment of FIG. 9.

FIG. 16 is a bottom view of the embodiment of FIG. 9.

FIG. 17 is a top, front, and right side perspective of another embodiment of a kiosk embodying my new design.

FIG. 18 is a top, back, and right side perspective of the embodiment of FIG. 17.

FIG. 19 is a front view of the embodiment of FIG. 17.

FIG. 20 is a back view of the embodiment of FIG. 17.

FIG. 21 is a right side view of the embodiment of FIG. 17.

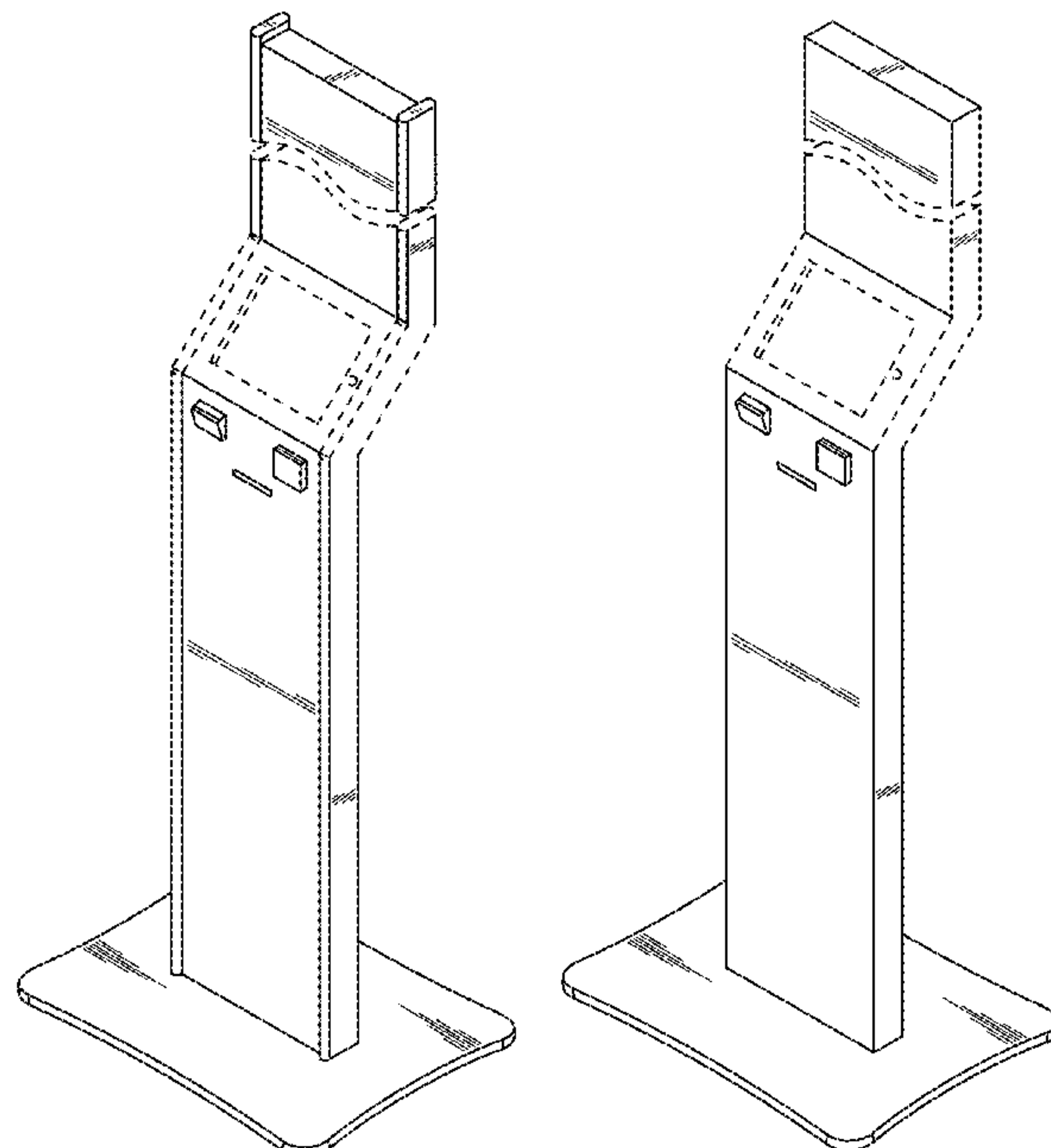
FIG. 22 is a left side view of the embodiment of FIG. 17.

FIG. 23 is a top view of the embodiment of FIG. 17; and,

FIG. 24 is a bottom view of the embodiment of FIG. 17.

The broken lines illustrate portions of the kiosk that form no part of the claimed design.

1 Claim, 21 Drawing Sheets



(58) **Field of Classification Search**
 USPC D10/108; D21/332, 325; 187/395, 396;
 361/679.02, 679.21
 CPC G06Q 20/18
 See application file for complete search history.

(56) **References Cited**

U.S. PATENT DOCUMENTS

D357,495 S 4/1995 Skaggs et al.
 D360,764 S 8/1995 Collins
 D364,382 S * 11/1995 Yamamoto D10/75
 D377,012 S 12/1996 Oslund
 D377,784 S * 2/1997 Wilson D10/93
 D378,082 S 2/1997 Wilson
 D389,522 S 1/1998 Hesselbach et al.
 D391,565 S * 3/1998 Nanjo D14/130
 D397,562 S 9/1998 DePottey et al.
 D403,670 S 1/1999 Liao
 D415,124 S * 10/1999 Rooyakkers D14/306
 D415,330 S * 10/1999 King D14/900
 D417,440 S 12/1999 Wilson
 D417,893 S 12/1999 Hunter et al.
 D436,999 S 1/2001 Cronley
 D442,560 S 5/2001 Price et al.
 D468,134 S 1/2003 Oikawa
 D473,554 S 4/2003 Landerholm et al.
 D493,816 S 8/2004 Butler
 D503,120 S 3/2005 Sato et al.
 D504,892 S 5/2005 Chen et al.
 D515,080 S * 2/2006 Esplo D14/307
 D518,480 S 4/2006 Zheng et al.
 D525,592 S 7/2006 Nguyen
 D546,893 S 7/2007 Yamashita
 D563,405 S 3/2008 Taniho et al.
 D569,898 S 5/2008 Masuda
 D572,942 S 7/2008 Robbins et al.
 D574,377 S 8/2008 Derocher et al.
 D585,943 S 2/2009 Pymm et al.
 D587,296 S 2/2009 Kuramochi
 D587,700 S * 3/2009 Corti D14/307
 D589,830 S * 4/2009 Friedli D10/108
 D590,387 S 4/2009 Chen
 D594,068 S 6/2009 Hsu
 D605,189 S 12/2009 Kuroda
 D605,191 S * 12/2009 Kuroda D14/307
 D621,513 S 8/2010 Cinqualbre
 D627,397 S 11/2010 Horn et al.
 D637,595 S 5/2011 Mizusugi
 D639,800 S 6/2011 Magruder

D646,269 S 10/2011 Crick, Jr. et al.
 D648,818 S 11/2011 Zalar
 D653,835 S 2/2012 Stremback et al.
 D661,124 S 6/2012 Curbbun et al.
 D661,291 S 6/2012 Renukanand et al.
 D661,292 S 6/2012 Kuroda et al.
 D661,293 S 6/2012 Kuroda et al.
 D662,329 S 6/2012 Arko et al.
 D665,555 S 8/2012 Lee et al.
 D669,464 S 10/2012 Birgeoglu
 D669,891 S 10/2012 Bowles et al.
 D675,608 S 2/2013 Ono
 D675,610 S 2/2013 Ono
 D676,038 S 2/2013 Masuda et al.
 D681,639 S 5/2013 Cruz et al.
 D692,885 S 11/2013 Cruz
 D693,607 S 11/2013 Johnson et al.
 D695,285 S 12/2013 Smith et al.
 D697,062 S 1/2014 Nagai et al.
 D702,675 S 4/2014 Jones
 D702,676 S 4/2014 Smith et al.
 D705,213 S 5/2014 Smith et al.
 D707,012 S 6/2014 Swaine et al.
 D707,674 S 6/2014 Daniel
 D707,676 S 6/2014 Azuma
 D707,677 S 6/2014 Azuma
 D708,459 S 7/2014 Heirakuji et al.
 D709,952 S 7/2014 Logan et al.
 D711,472 S 8/2014 Rotelli, III et al.
 D711,870 S * 8/2014 Johnson D14/307
 D717,785 S * 11/2014 Winston D14/307
 D721,695 S 1/2015 Birgeoglu
 D721,696 S 1/2015 Birgeoglu
 D722,313 S * 2/2015 Birgeoglu D14/307
 D722,794 S 2/2015 Luong
 D723,025 S 2/2015 Birgeoglu
 D723,026 S 2/2015 Birgeoglu
 D726,706 S 4/2015 Kraft et al.
 D727,308 S 4/2015 Kraft et al.
 D732,520 S 6/2015 Themann
 D732,522 S 6/2015 Chadbourne et al.
 D734,315 S * 7/2015 Masuda D14/307
 D751,061 S 3/2016 Berini
 D752,032 S 3/2016 Taylor
 2002/0124271 A1 9/2002 Herrmann et al.
 2002/0198034 A1 12/2002 Wang
 2007/0143341 A1 6/2007 Brownell et al.
 2009/0289104 A1 11/2009 Yoneda
 2011/0192681 A1 8/2011 Johnson et al.
 2012/0059727 A1 3/2012 Dameron et al.

* cited by examiner

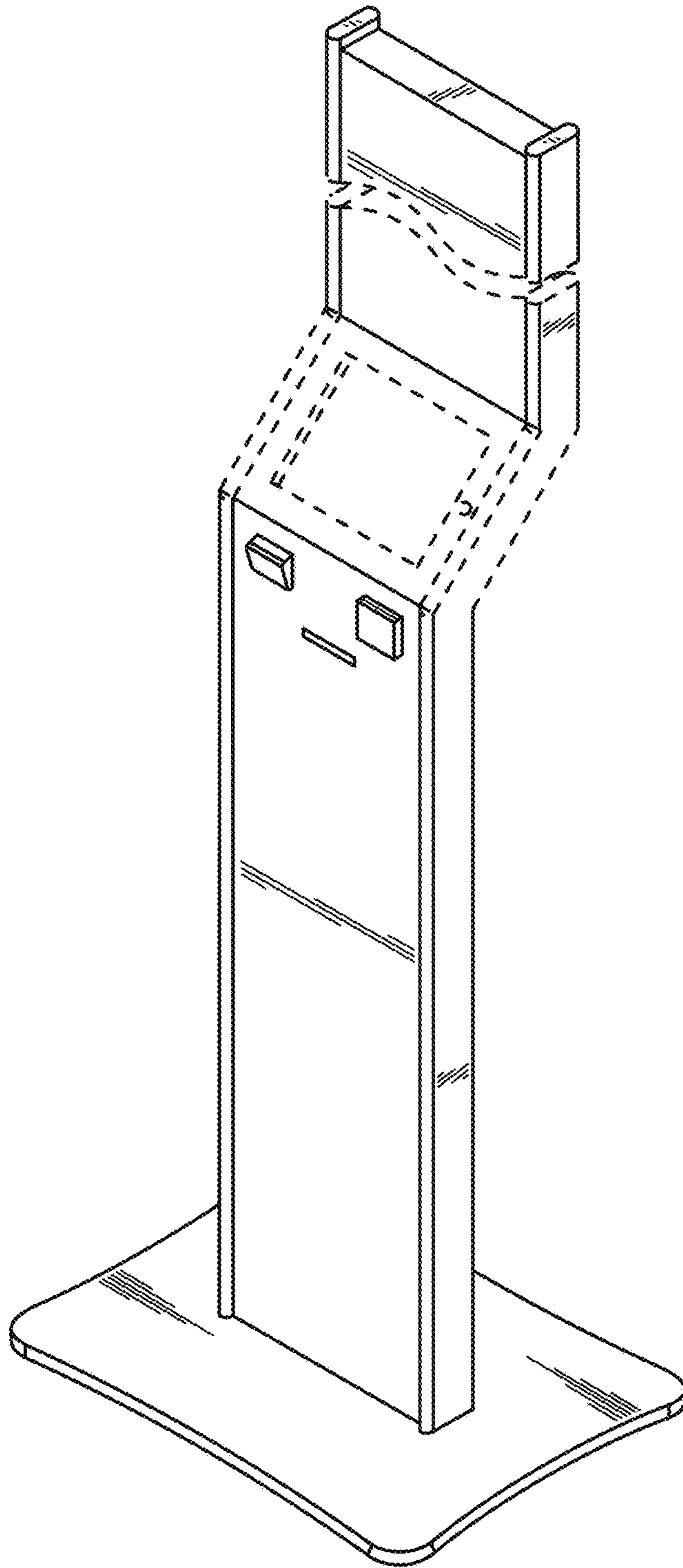


FIG. 1

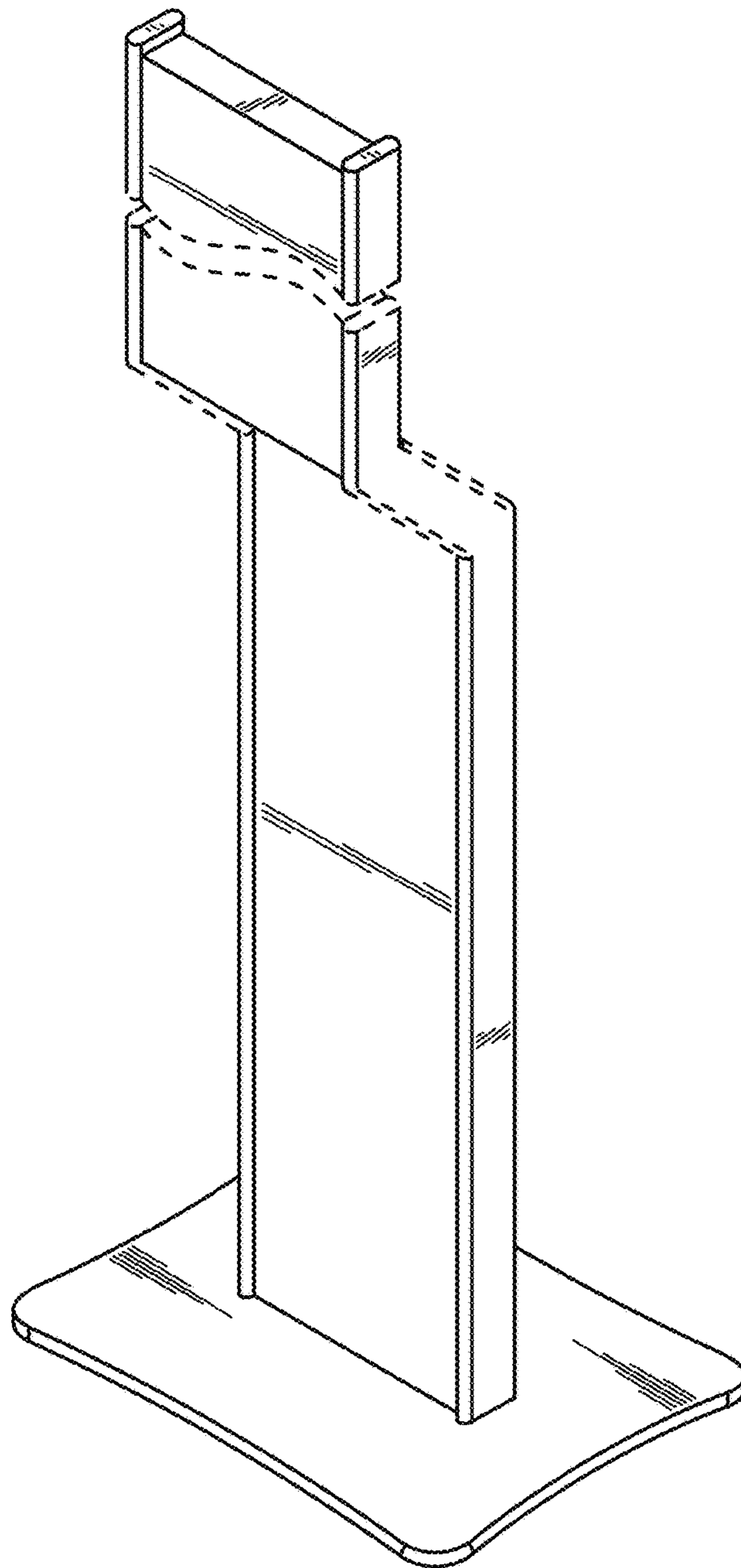


FIG. 2

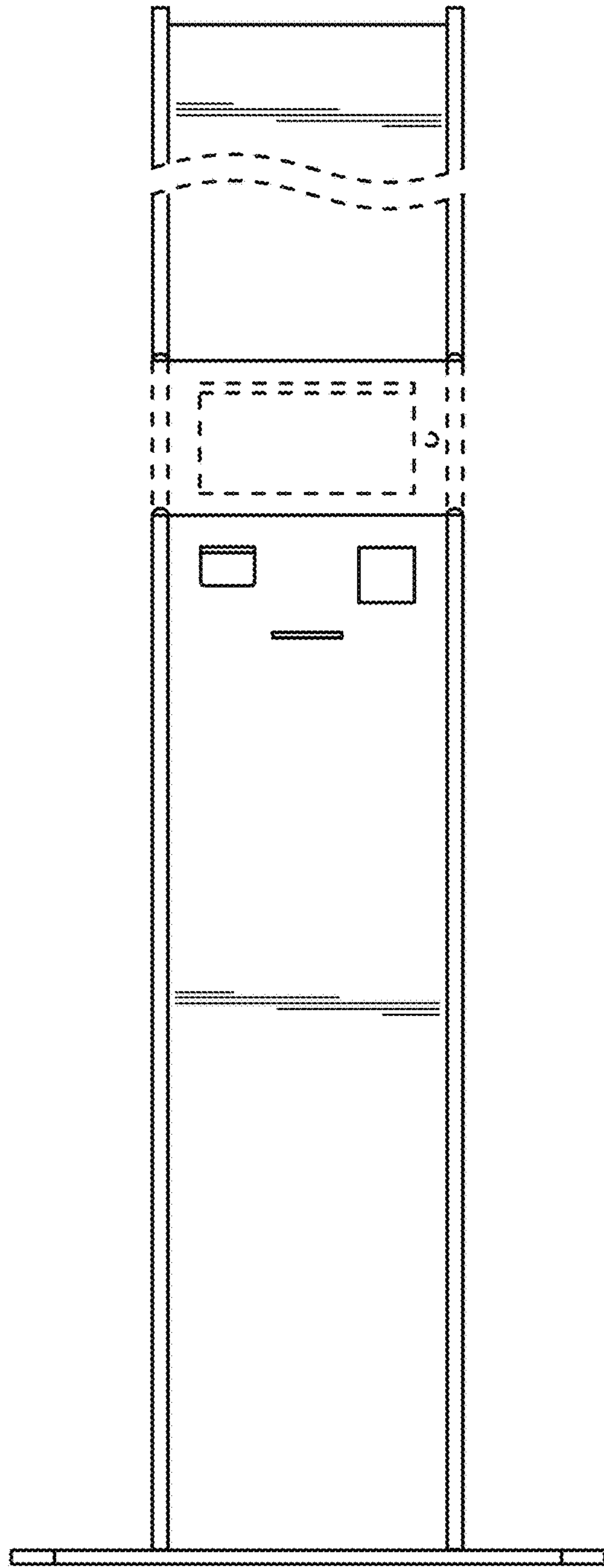


FIG. 3

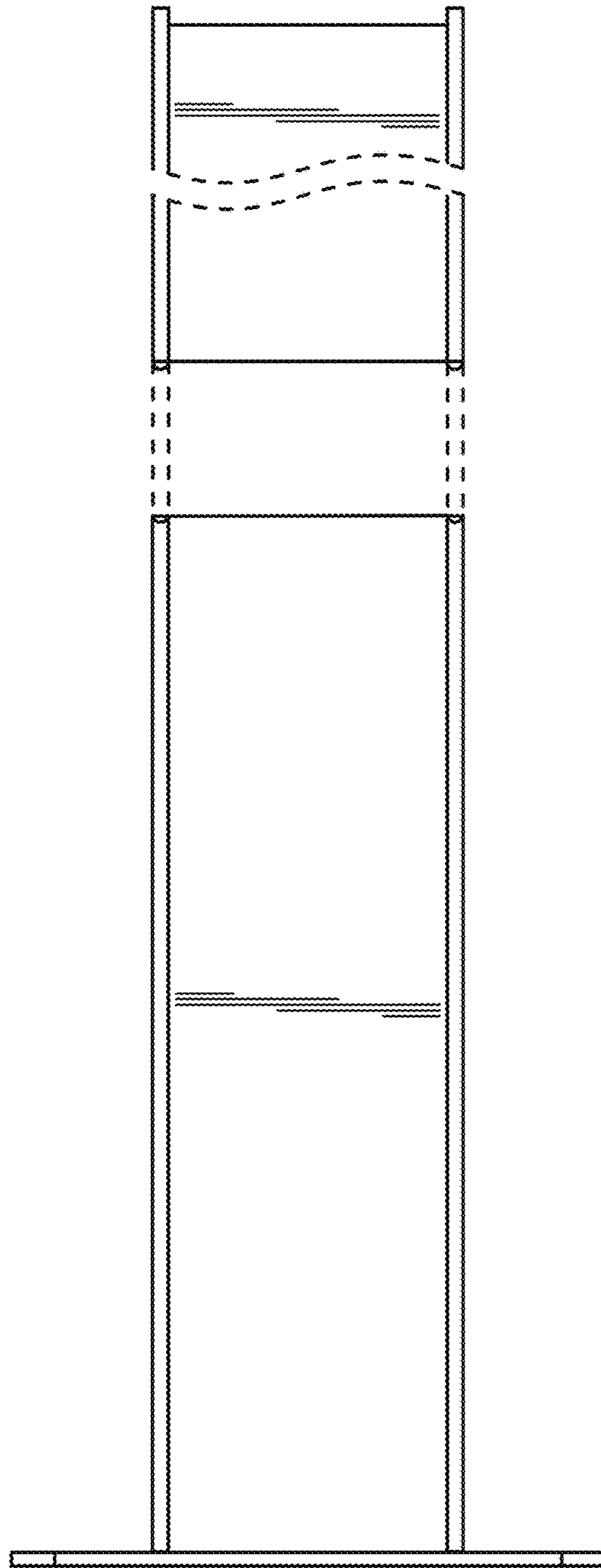


FIG. 4

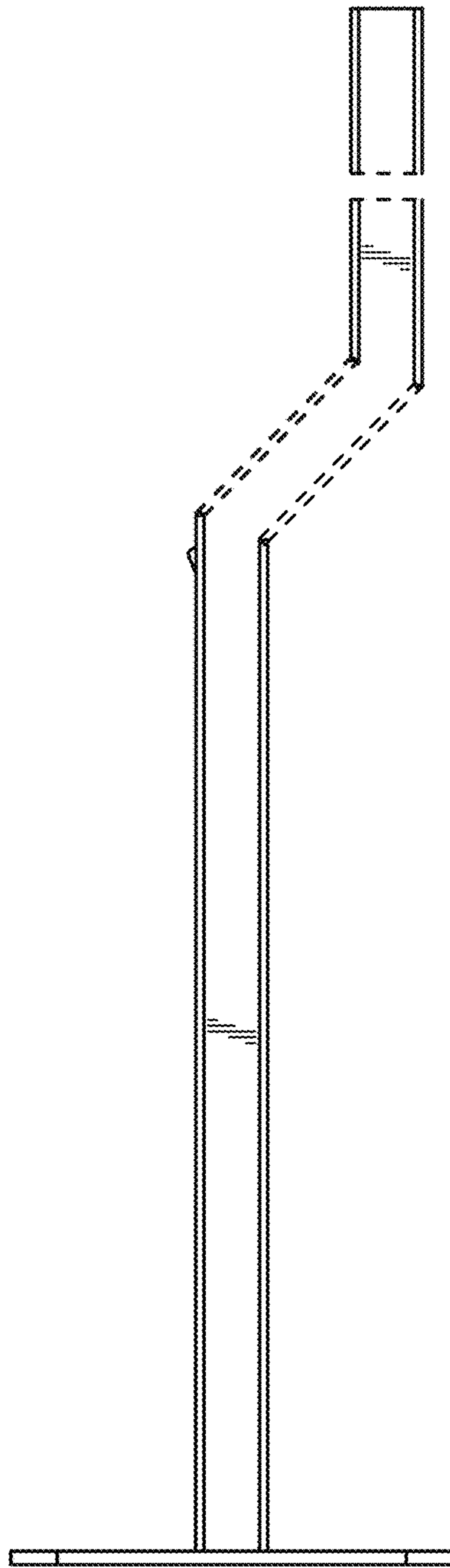


FIG. 5

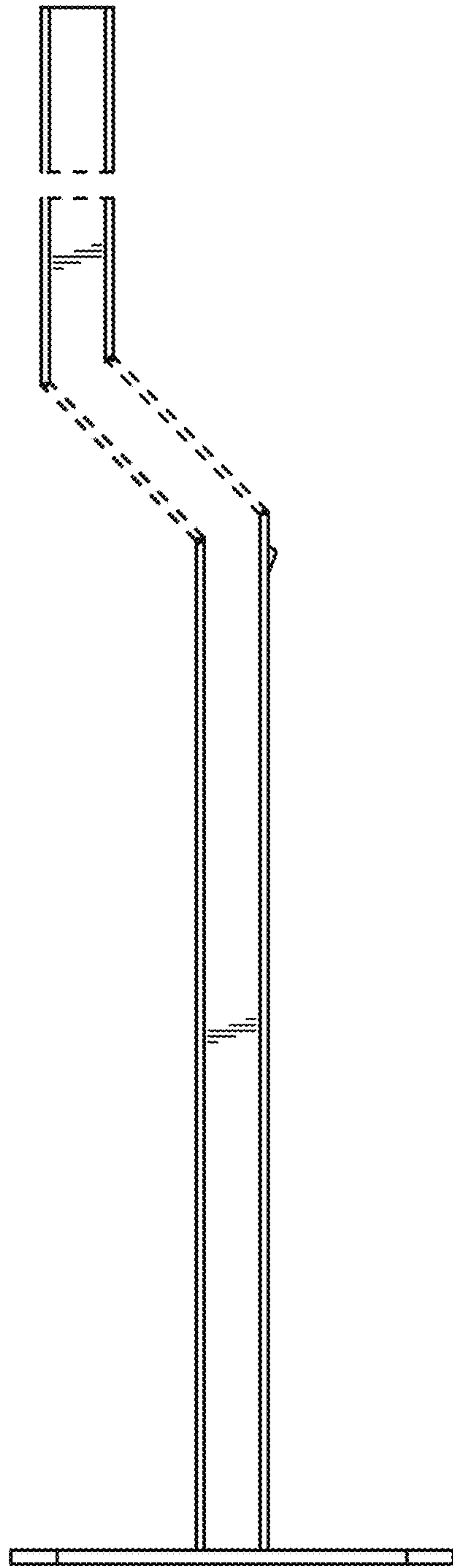


FIG. 6

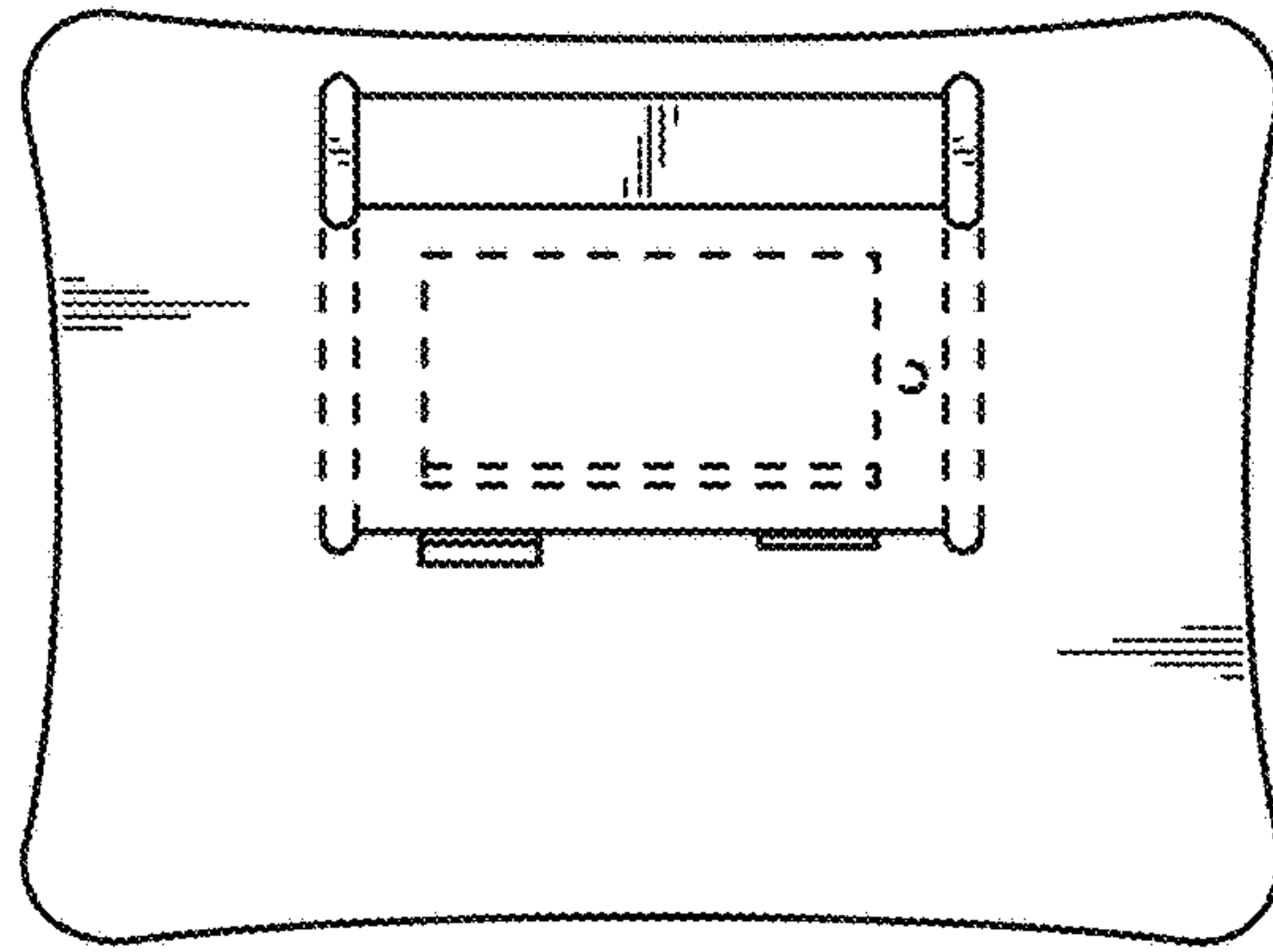


FIG. 7

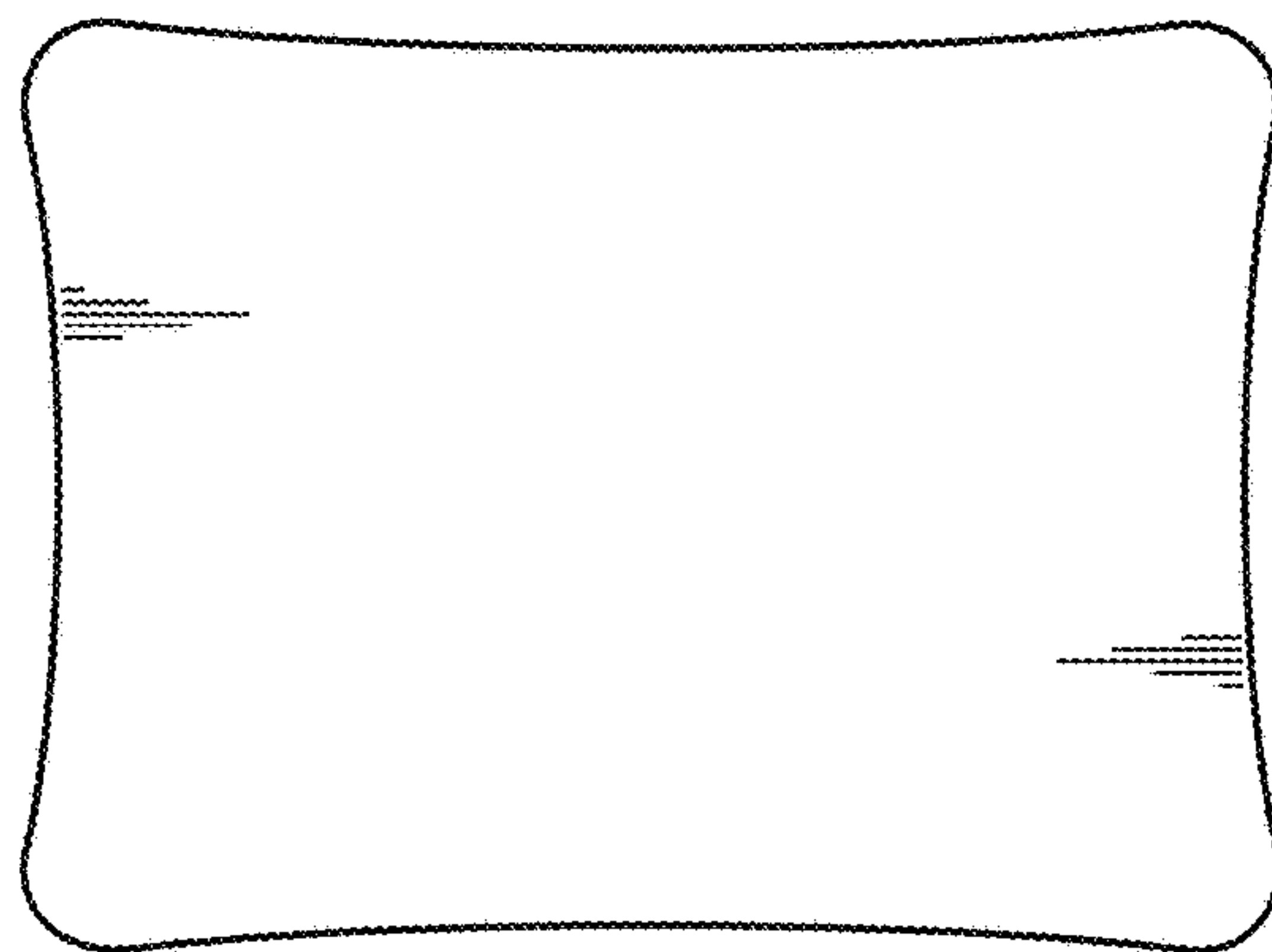


FIG. 8

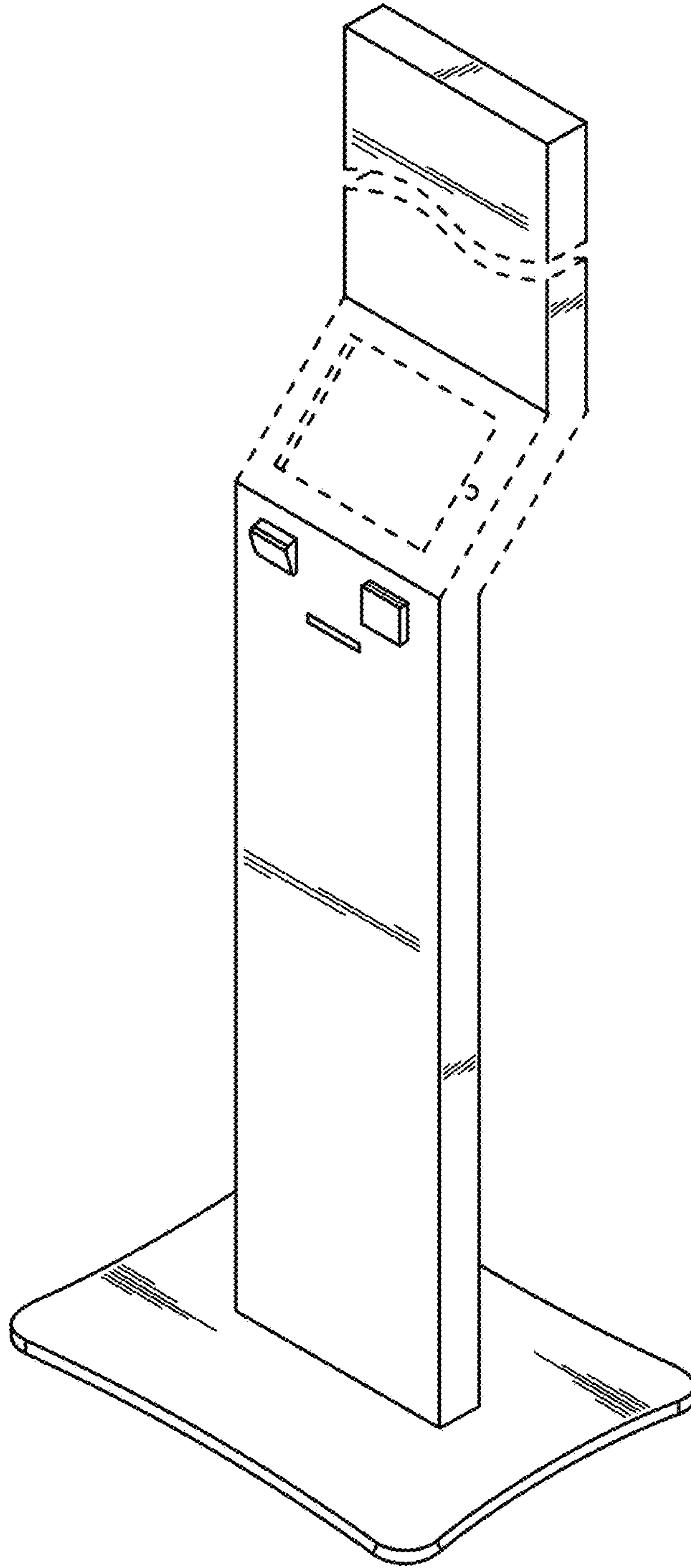


FIG. 9

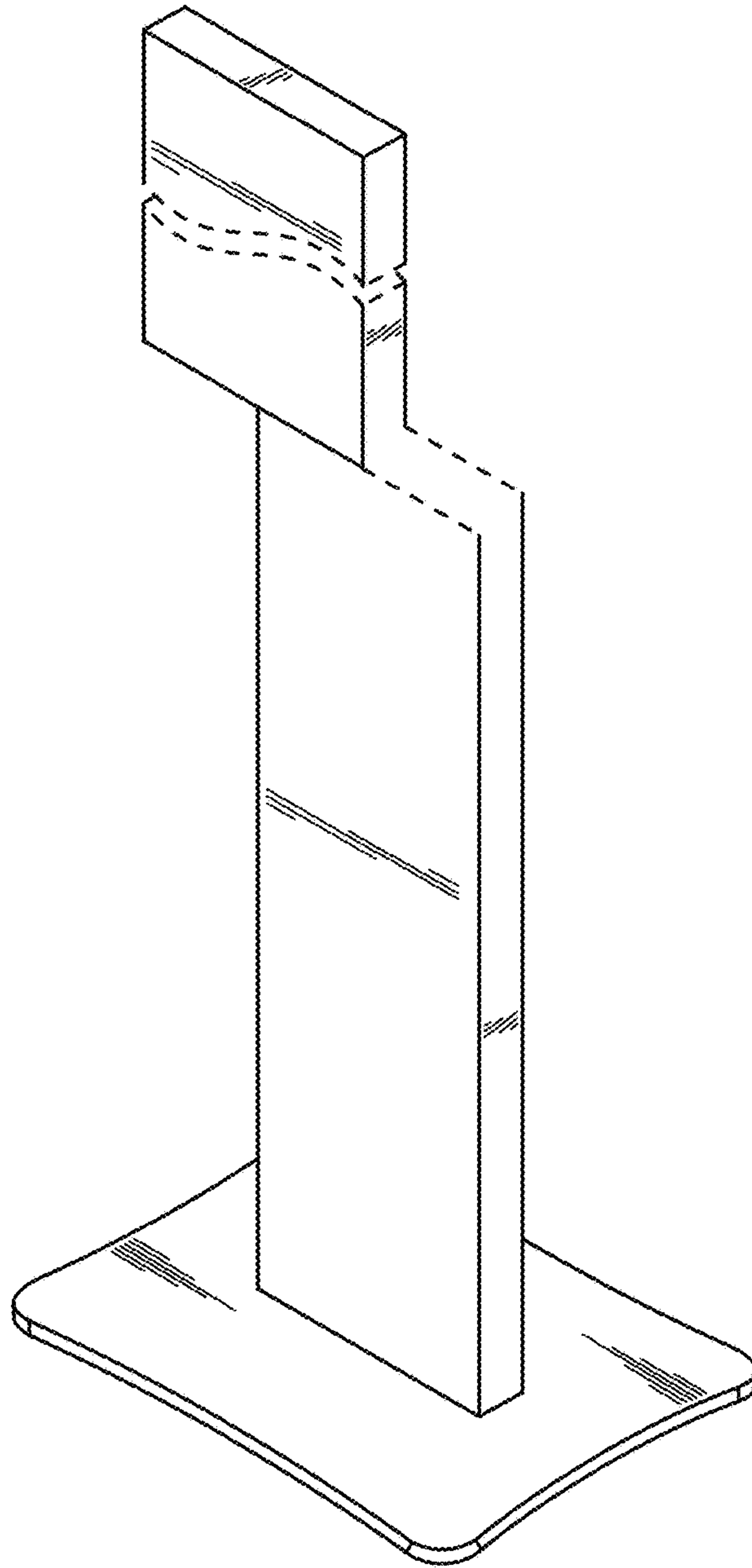


FIG. 10

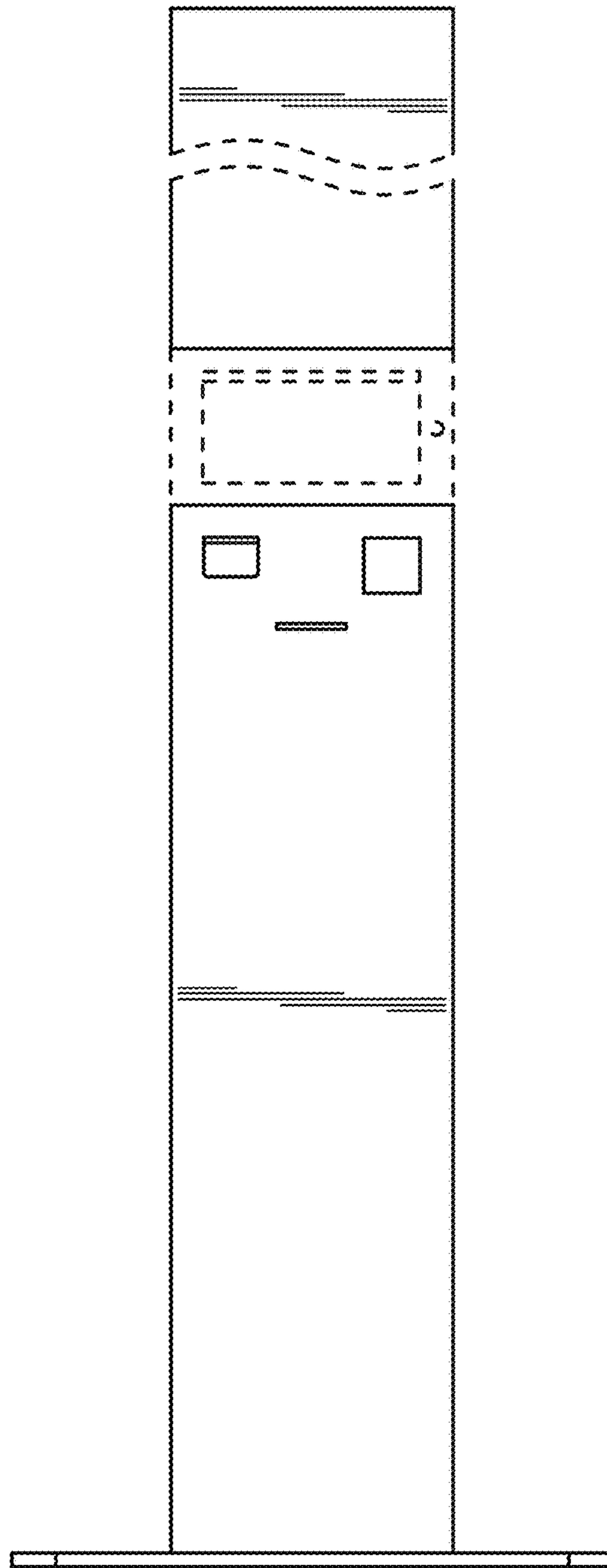


FIG. 11

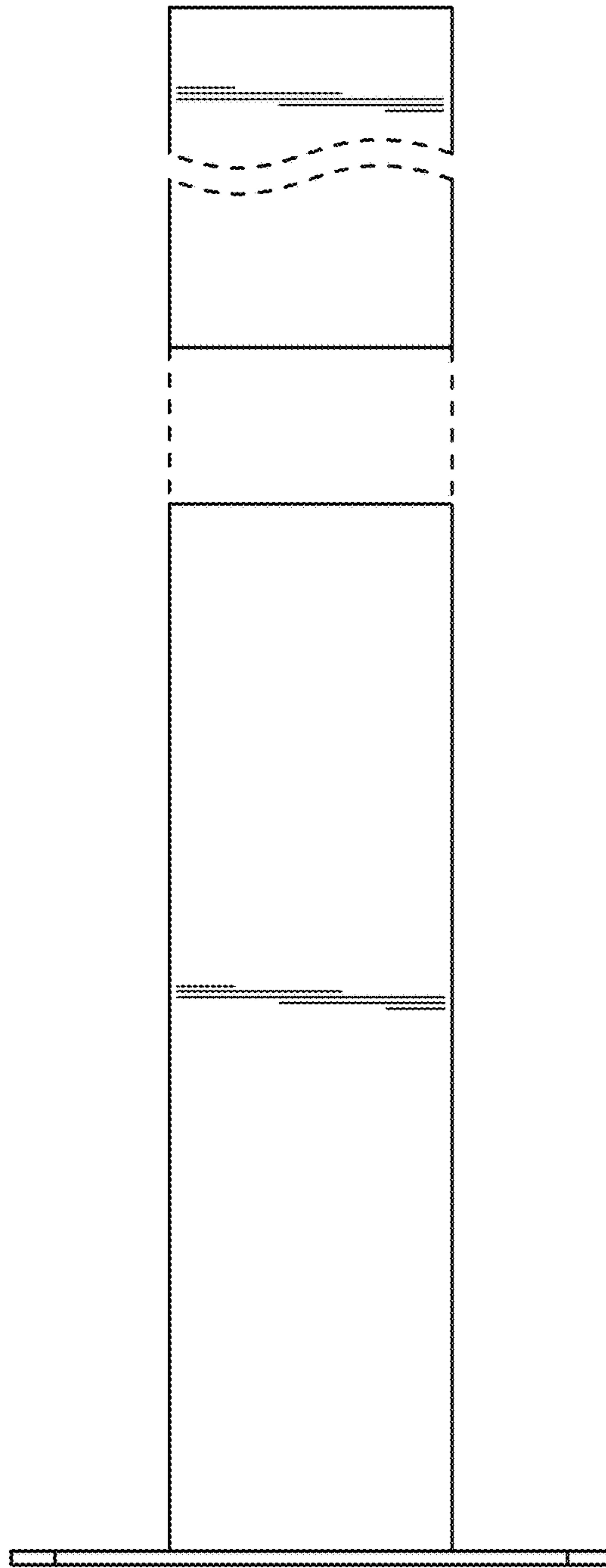


FIG. 12

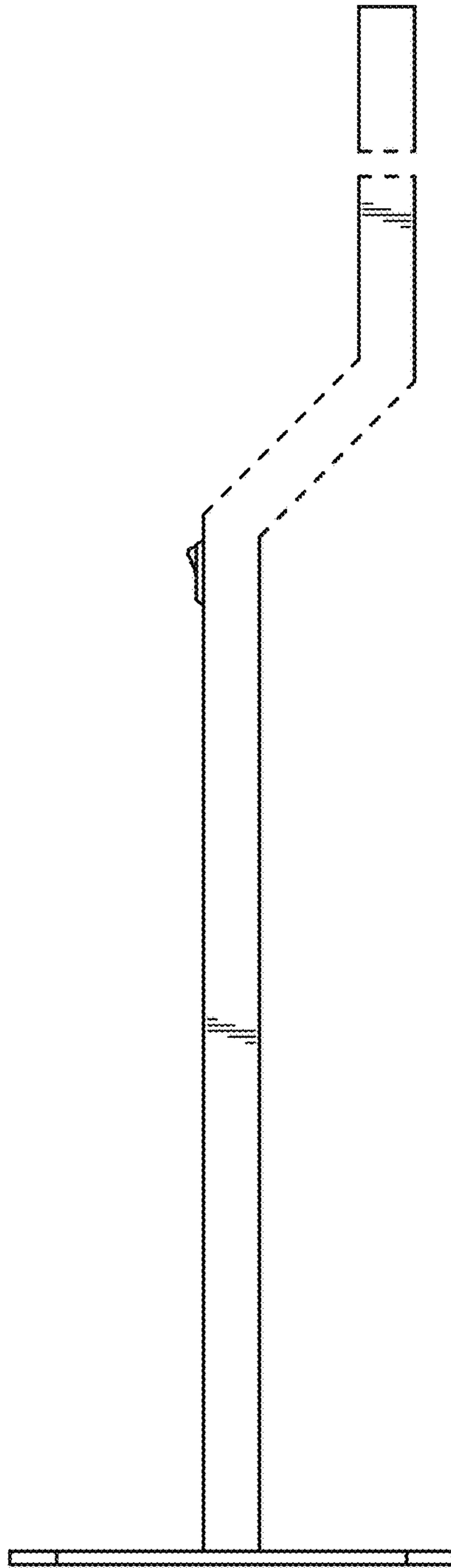


FIG. 13

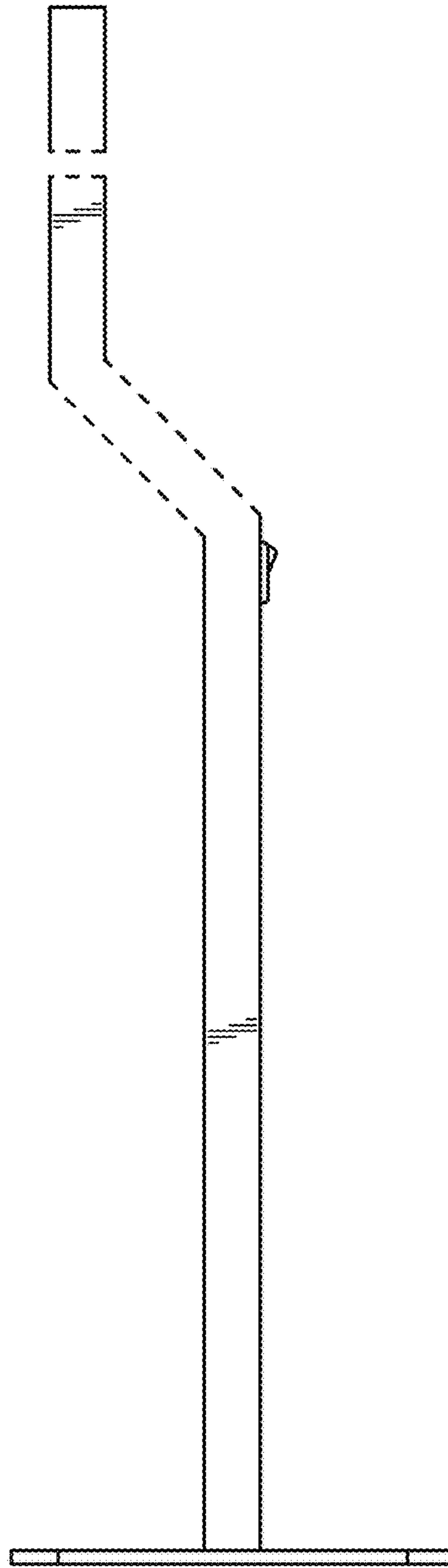


FIG. 14

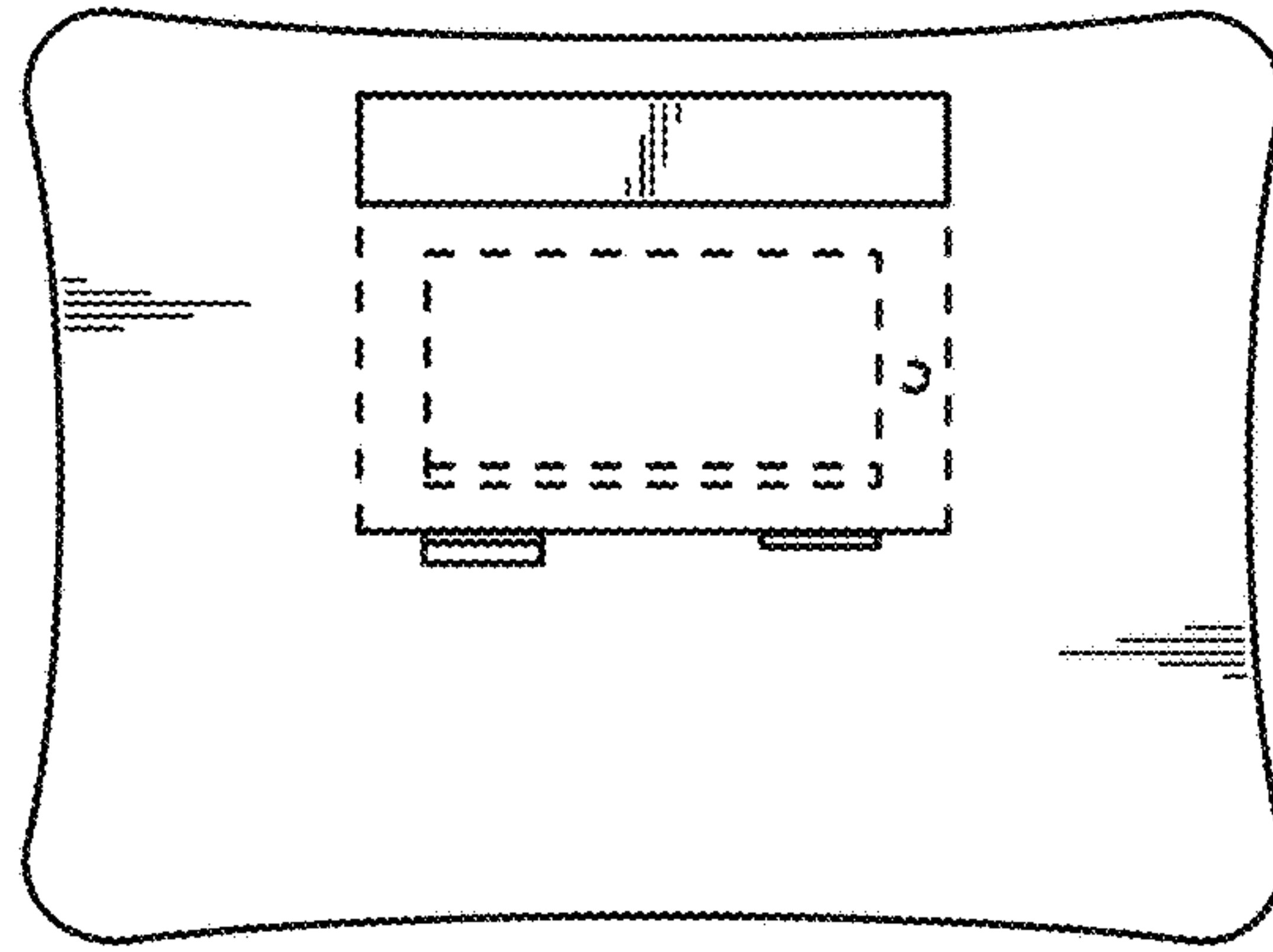


FIG. 15

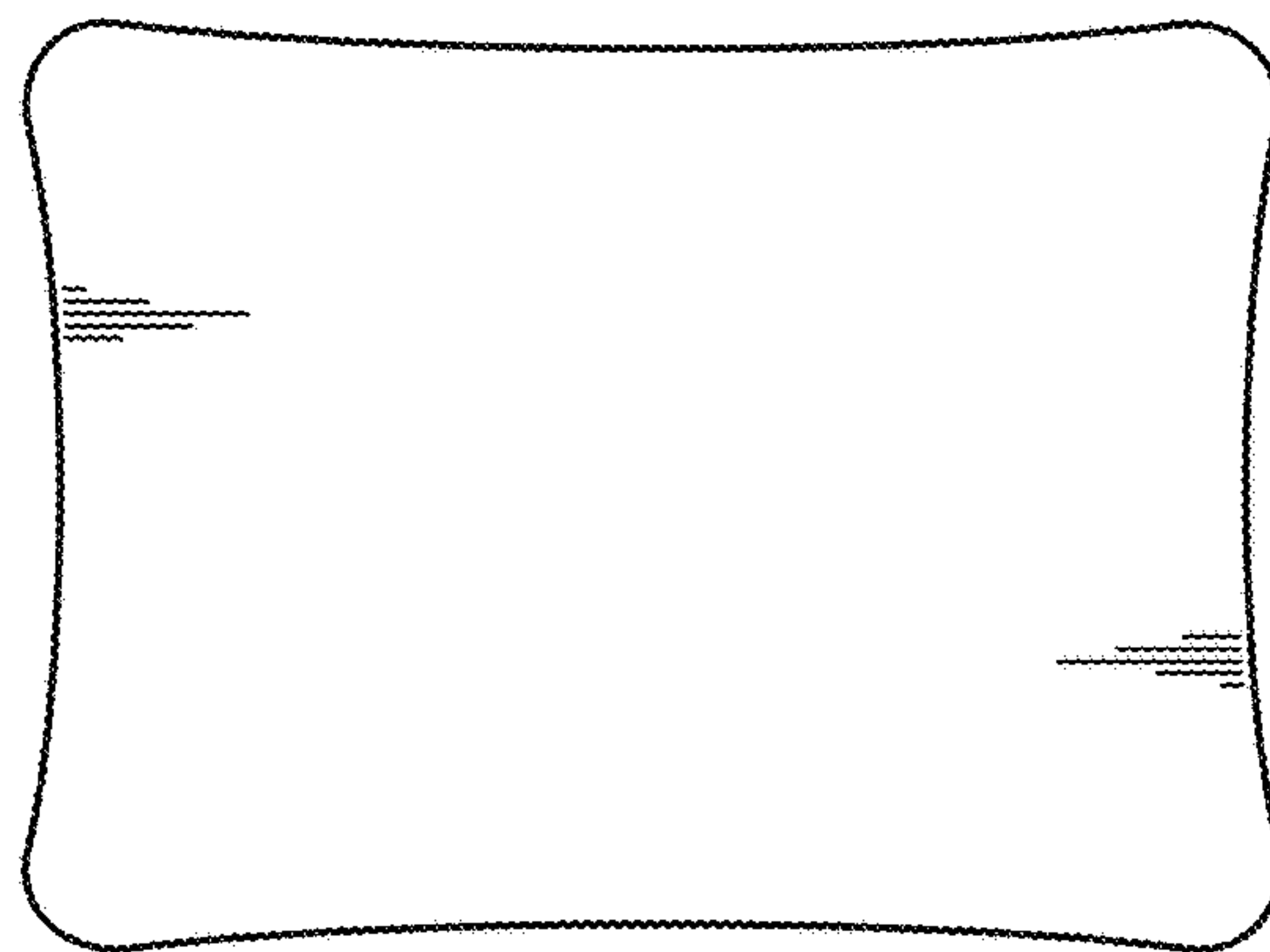


FIG. 16

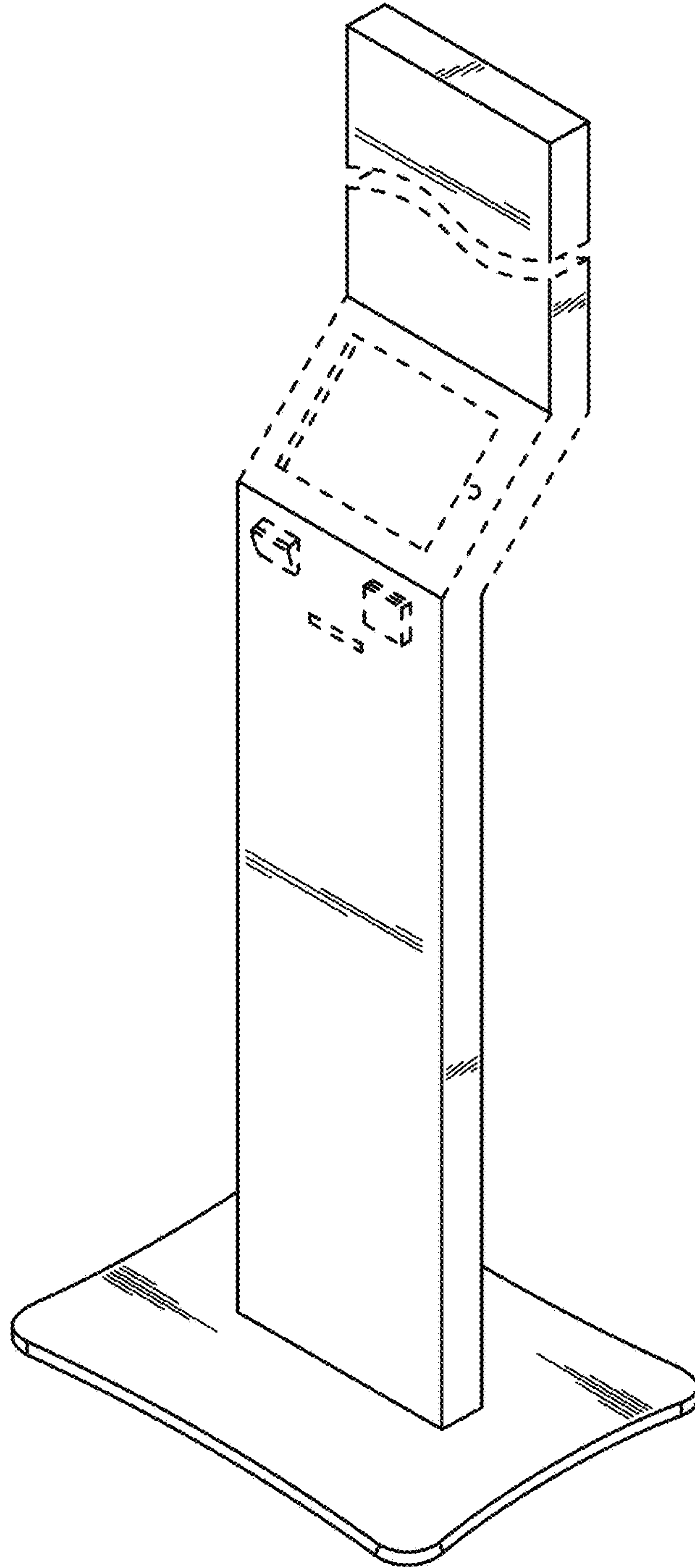


FIG. 17

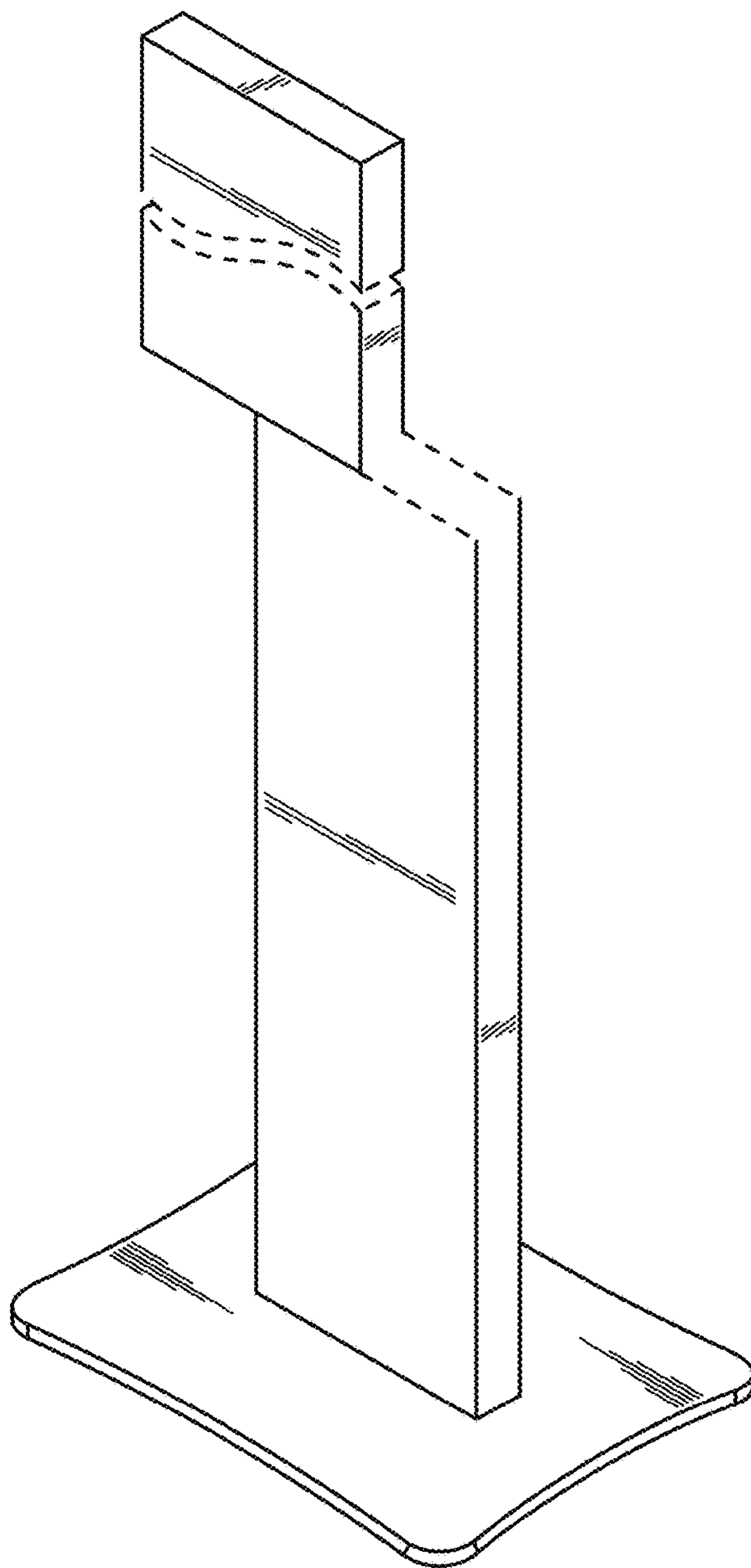


FIG. 18

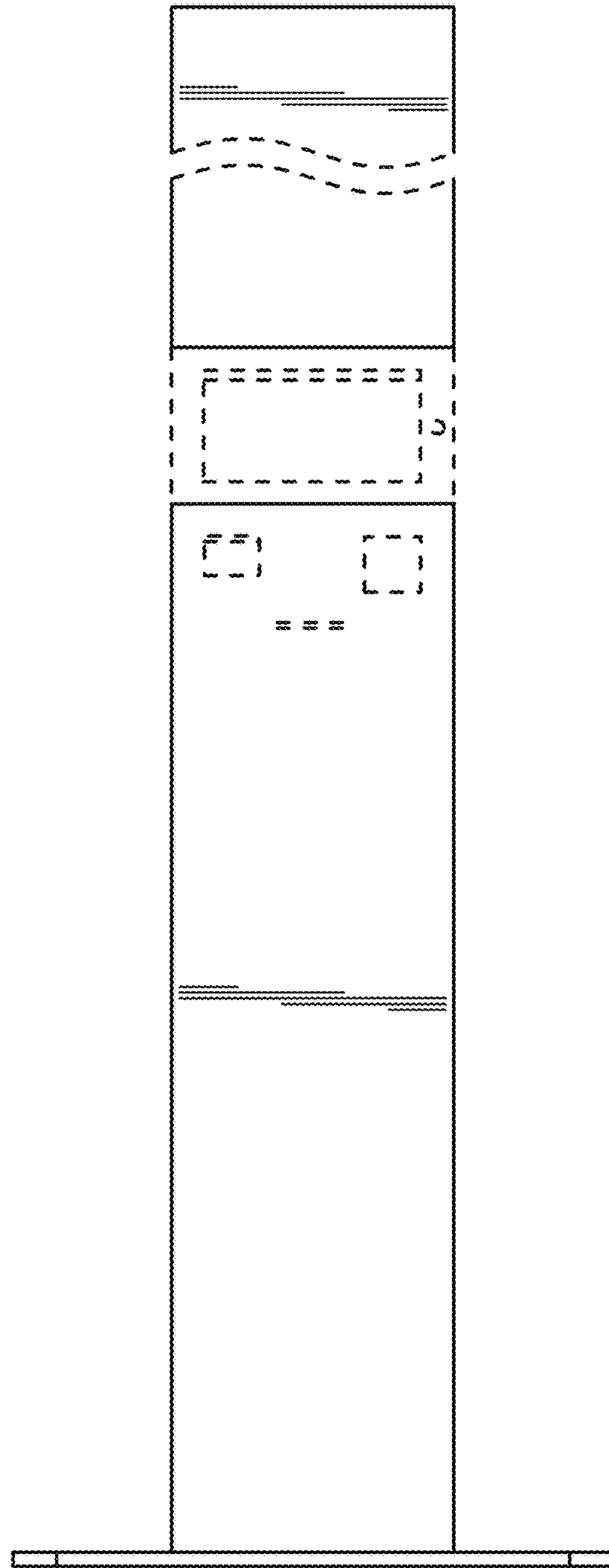


FIG. 19

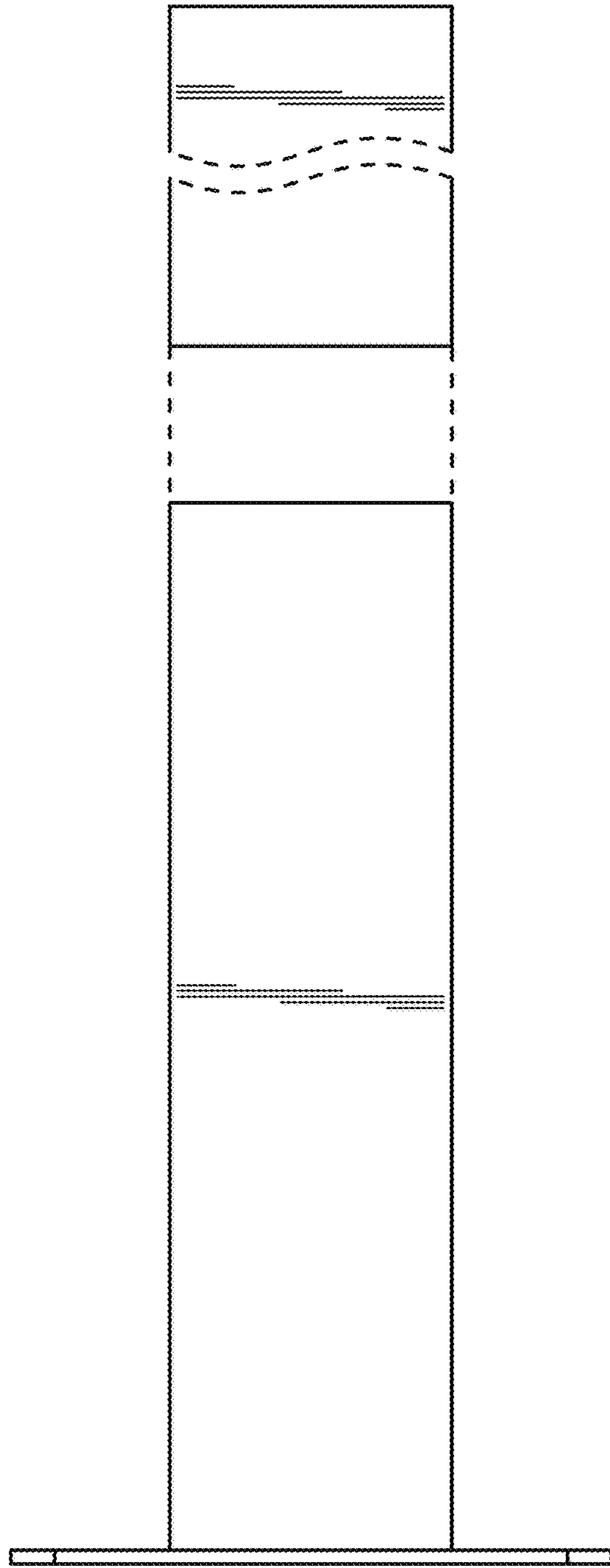


FIG. 20

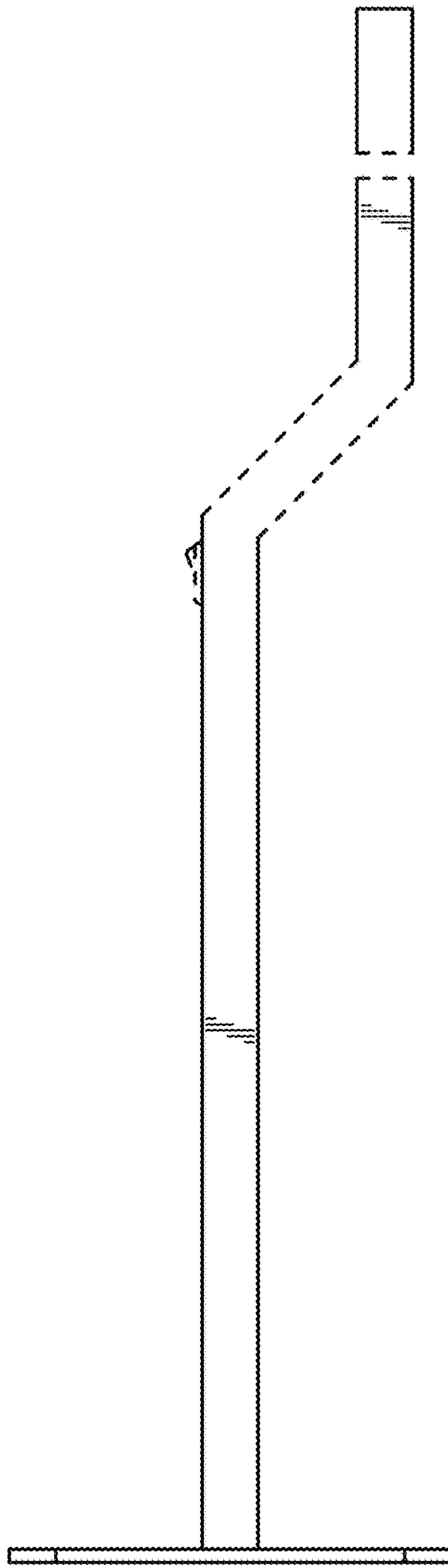


FIG. 21

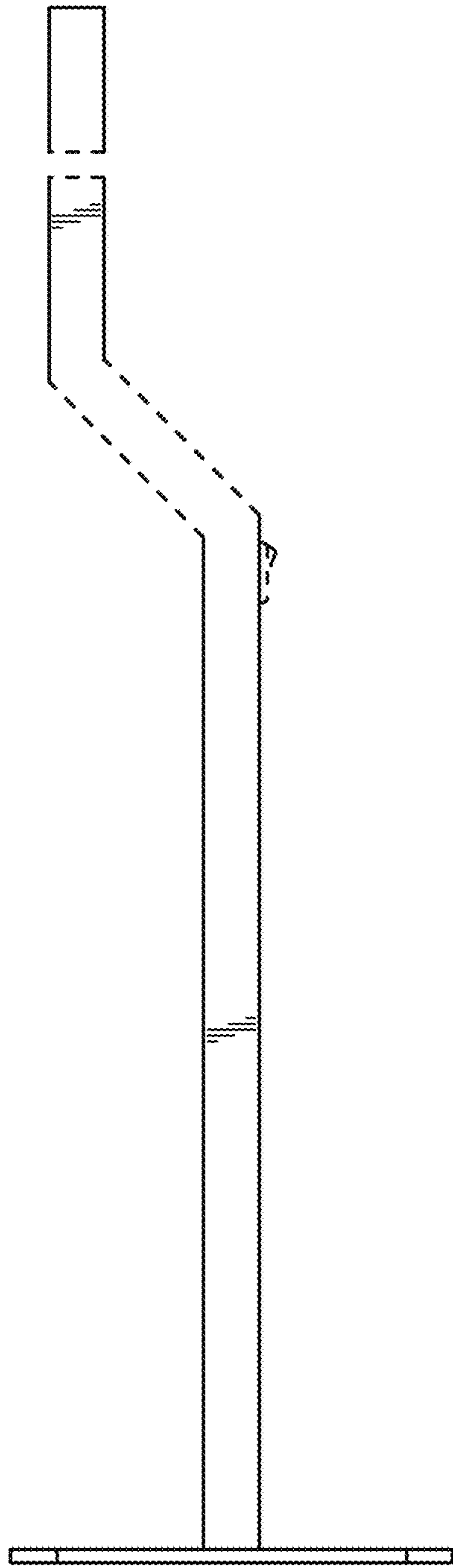


FIG. 22

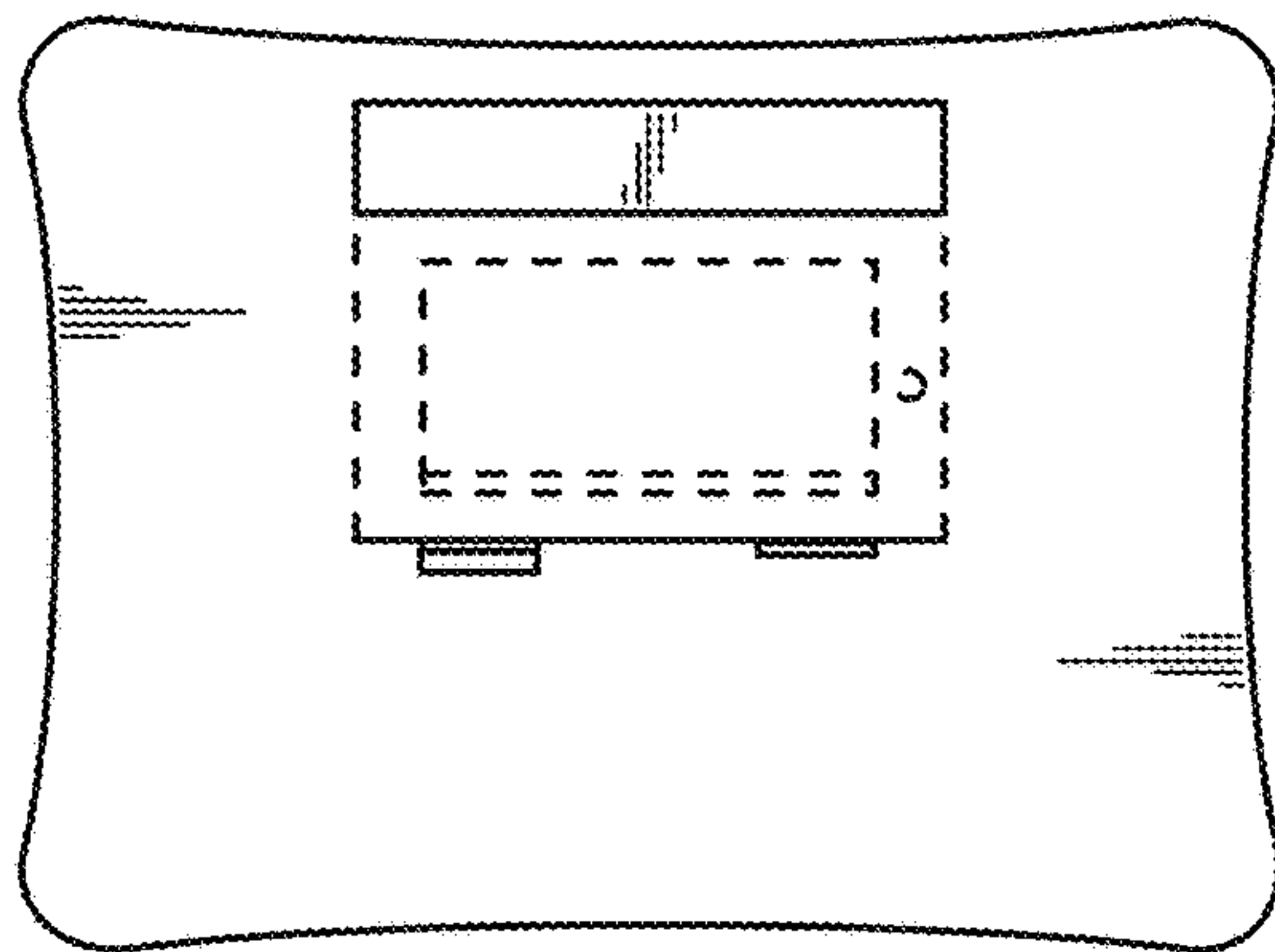


FIG. 23

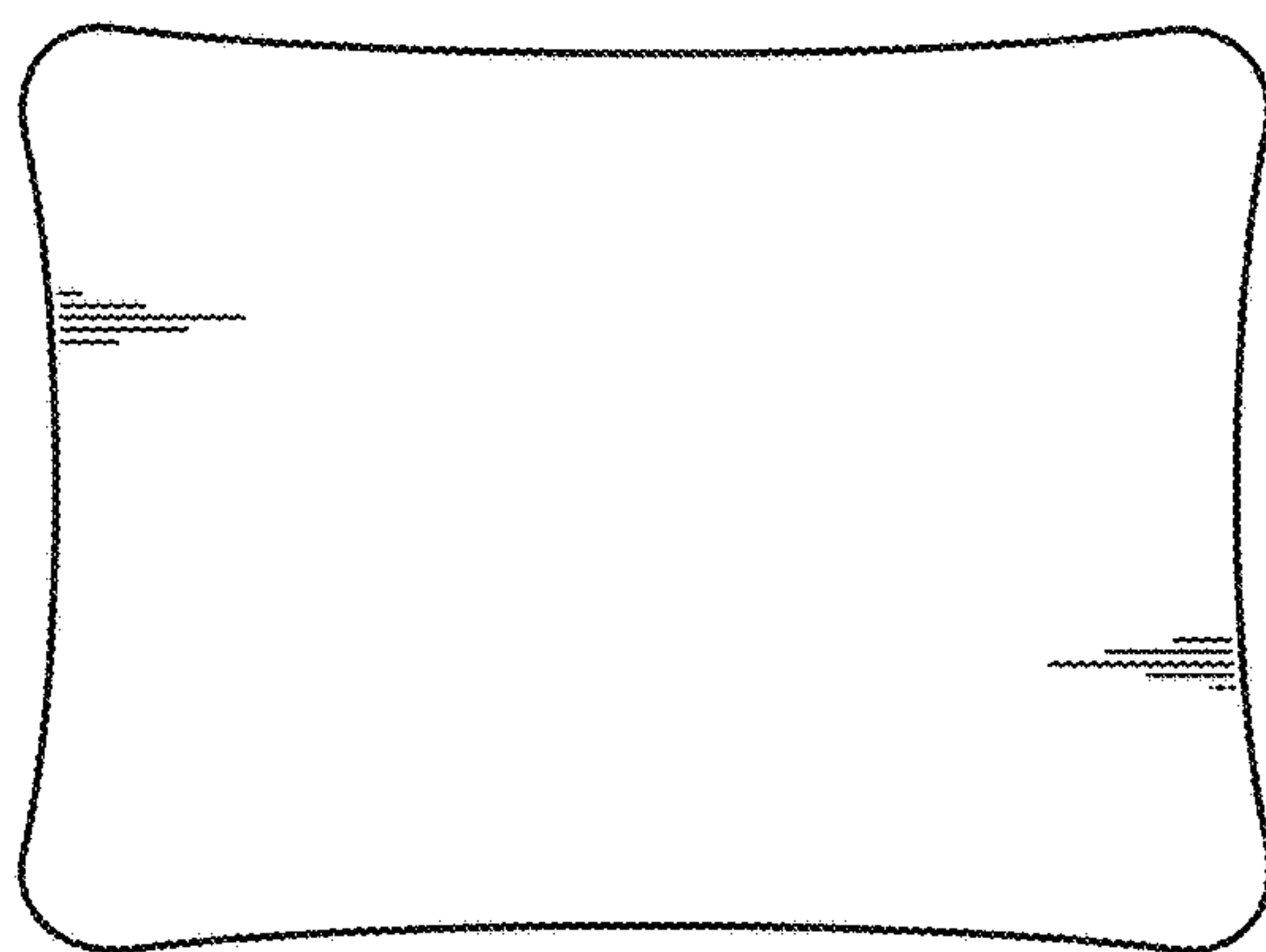


FIG. 24