



US00D795241S

(12) **United States Design Patent** (10) **Patent No.:** **US D795,241 S**  
**Chen** (45) **Date of Patent:** **\*\* Aug. 22, 2017**

(54) **PANEL FOR AUTOMOTIVE MONITOR**

(71) Applicant: **GETAC TECHNOLOGY CORPORATION**, Hsinchu County (TW)

(72) Inventor: **Ying-Chun Chen**, New Taipei (TW)

(73) Assignee: **Getac Technology Corporation**, Hsinchu County (TW)

(\*\*) Term: **15 Years**

(21) Appl. No.: **29/528,373**

(22) Filed: **May 28, 2015**

(51) **LOC (10) Cl.** ..... **14-01**

(52) **U.S. Cl.**  
USPC ..... **D14/258**

(58) **Field of Classification Search**  
USPC ..... D14/157, 257–258, 315–318, 341–347, D14/420, 426, 129, 130, 496, 137, 138 R, D14/138 AA, 138 C, 138 G, 203.1, 203.3, D14/203.4, 203.7, 247, 248, 388, 389; D10/50, 65, 104.1; D21/329, 330; D18/7  
CPC ..... G06F 3/04883; G06F 3/0486; G06F 3/04847; G06F 3/04845; G06F 3/04817; G06F 3/0484; G06F 1/1613; G06F 1/1647; G06F 1/1641; H04M 1/0279; H04M 1/0281; H04M 1/0283; A63H 33/3016  
See application file for complete search history.

(56) **References Cited**

**U.S. PATENT DOCUMENTS**

D402,286 S \* 12/1998 Poole ..... D14/441  
D417,871 S \* 12/1999 Hisatsune ..... D14/188  
D451,083 S \* 11/2001 Ito ..... D14/168  
D475,691 S \* 6/2003 Nishii ..... D14/157  
D486,134 S \* 2/2004 Hori ..... D14/502

D582,909 S \* 12/2008 Yamamoto ..... D14/258  
D583,371 S \* 12/2008 Yamamoto ..... D14/258  
D587,668 S \* 3/2009 Bang ..... D14/138 AD  
D596,964 S \* 7/2009 Wang ..... D10/50  
D599,773 S \* 9/2009 Shimizu ..... D14/157  
D639,793 S \* 6/2011 Quilling, II ..... D14/258  
D648,721 S \* 11/2011 Wong ..... D14/345  
D656,502 S \* 3/2012 Cacioppo ..... D14/453  
D678,266 S \* 3/2013 Tran ..... D14/258  
D695,260 S \* 12/2013 Teulie ..... D14/188  
D700,000 S \* 2/2014 Avery ..... D14/341  
D711,367 S \* 8/2014 Endo ..... D14/258  
D742,369 S \* 11/2015 Nishizawa ..... D14/257  
D747,386 S \* 1/2016 Li ..... D16/208  
D760,215 S \* 6/2016 Yagi ..... D14/257

(Continued)

**OTHER PUBLICATIONS**

Powerful DVR, announced 2016 [online], [site visited Mar. 15, 2017]. Available from Internet, URL: <<http://us.getac.com/Solutions/veretos-mvs/Veretos-MVS.html#DVR>>.\*

*Primary Examiner* — Barbara Fox  
*Assistant Examiner* — Dana K Weiland

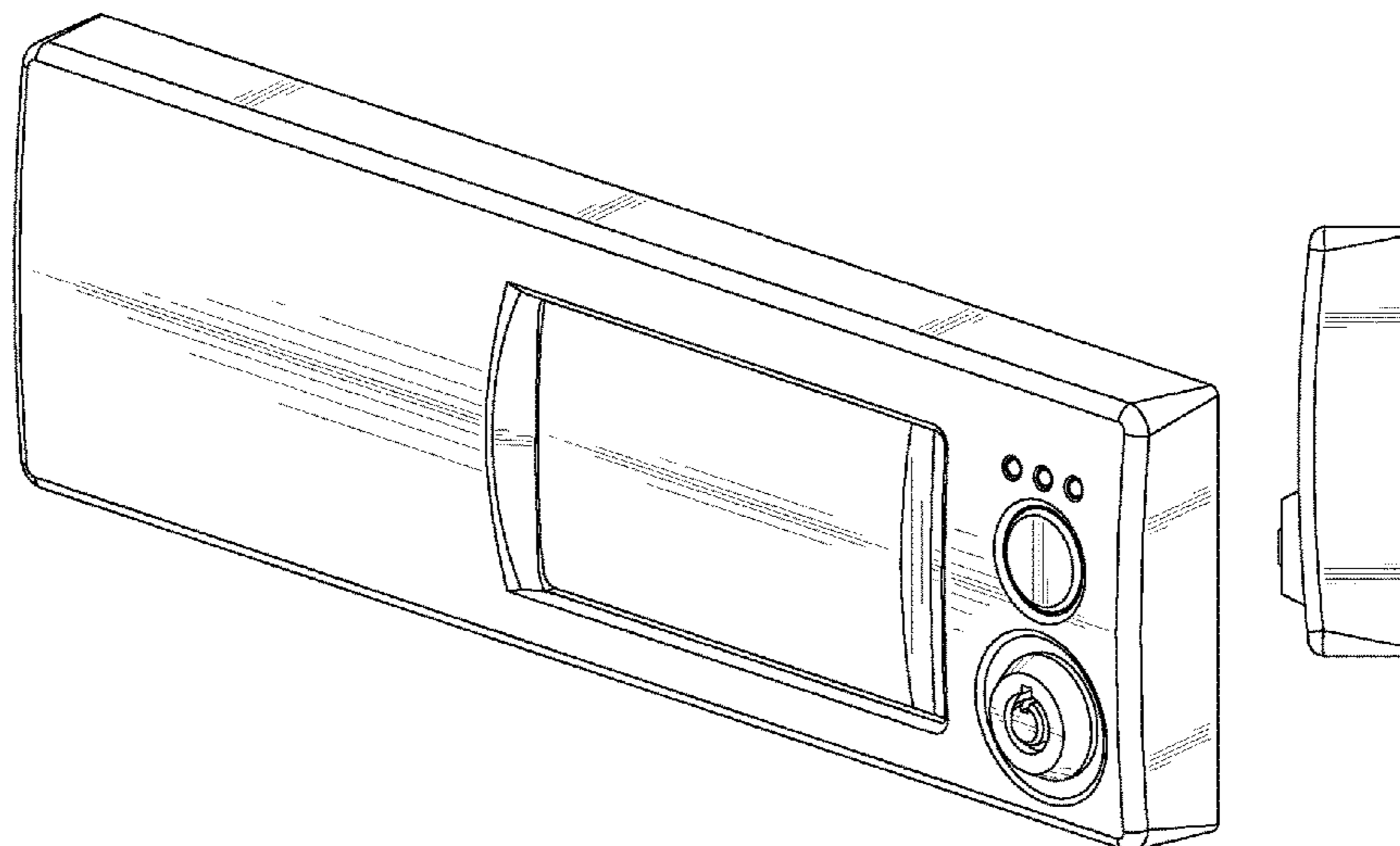
(57) **CLAIM**

The ornamental design for a panel for automotive monitor, as shown and described.

**DESCRIPTION**

FIG. 1 is a top front right perspective view showing a panel for automotive monitor showing the new design; FIG. 2 is a top front left perspective view thereof; FIG. 3 is a front view of the first embodiment thereof; FIG. 4 is a left side view of the first embodiment thereof; FIG. 5 is a right side view of the first embodiment thereof; FIG. 6 is a top view of the first embodiment thereof; FIG. 7 is a bottom view of the first embodiment thereof; and, FIG. 8 is a cross-sectional view taken along the line 8--8 in FIG. 3.

**1 Claim, 6 Drawing Sheets**



(56)

**References Cited**

U.S. PATENT DOCUMENTS

D772,085 S \* 11/2016 Howe ..... D10/50  
D775,121 S \* 12/2016 Suzuki ..... D14/258  
D776,590 S \* 1/2017 Womack, Sr. .... D12/192

\* cited by examiner

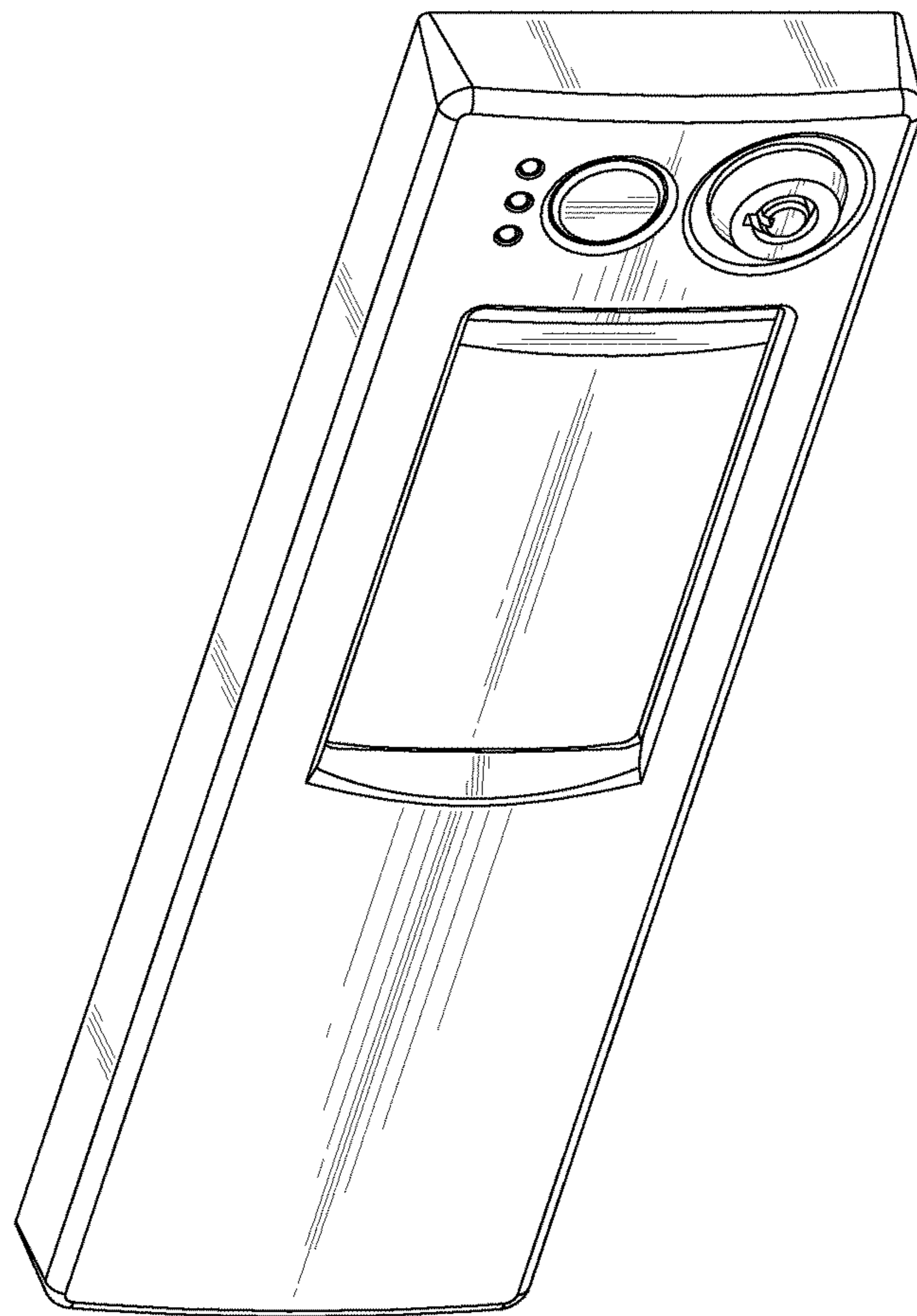


FIG. 1

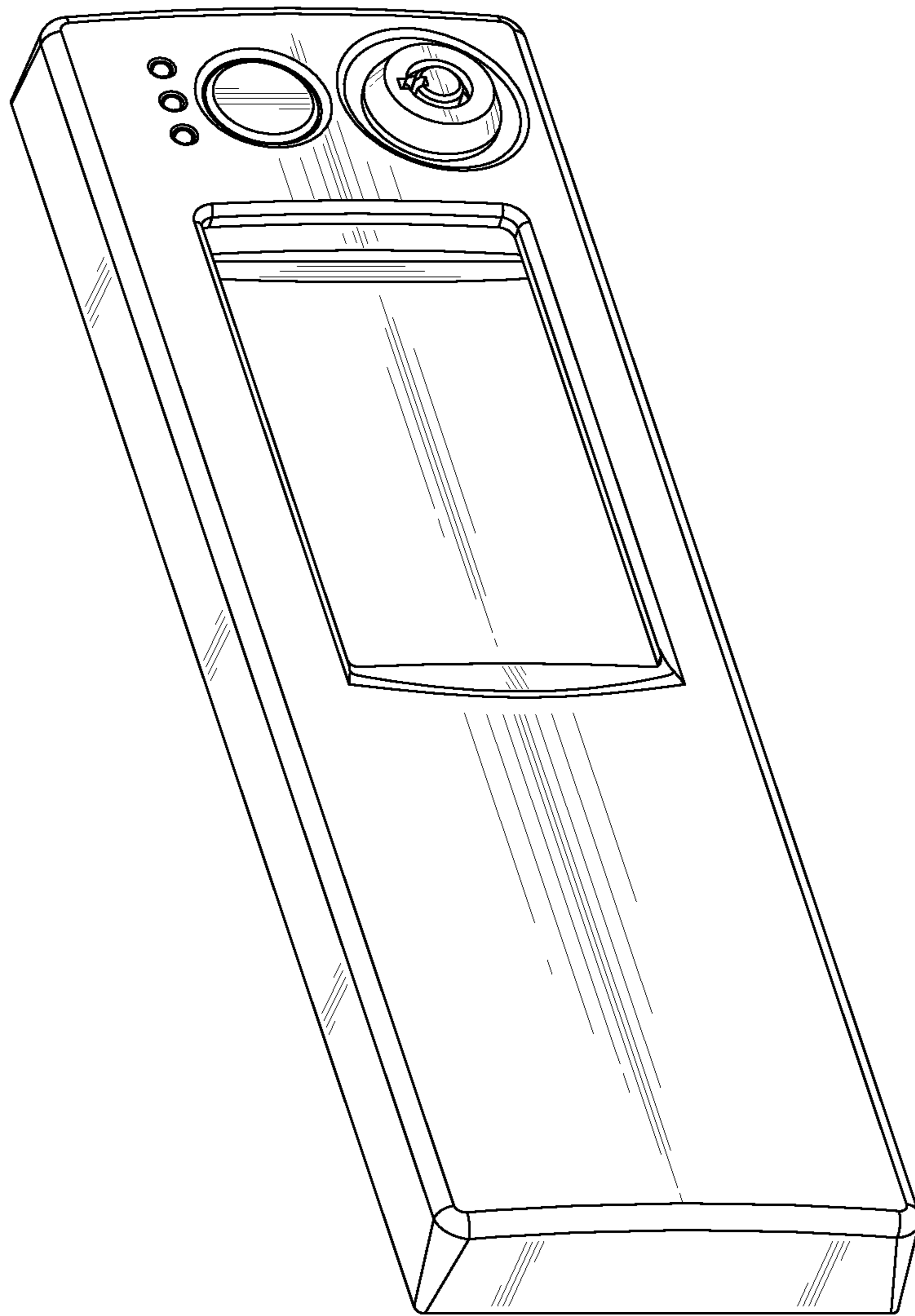


FIG. 2

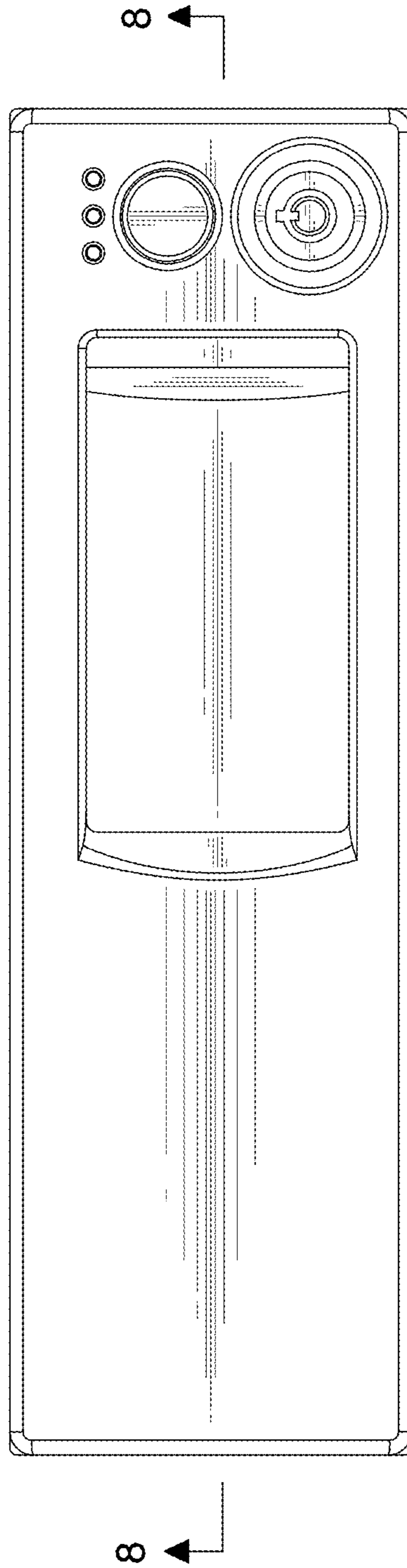


FIG. 3

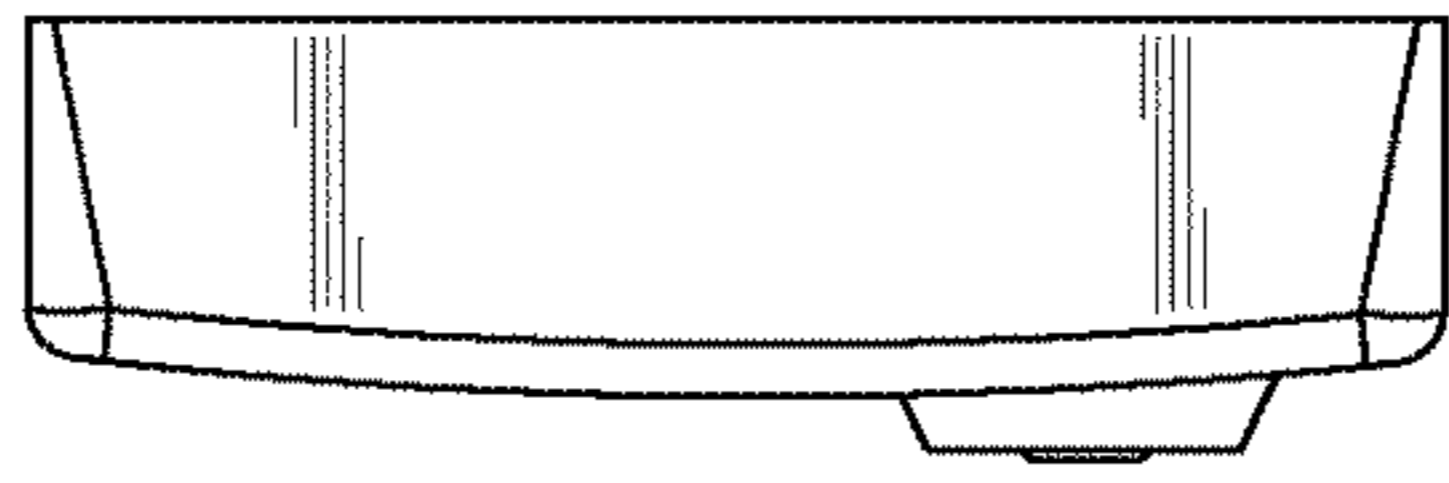


FIG. 5



FIG. 4

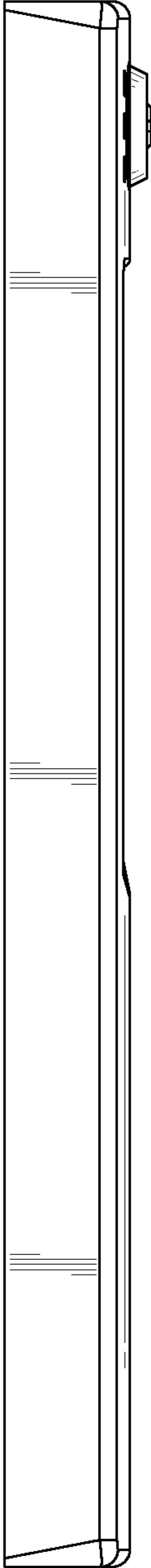


FIG. 6

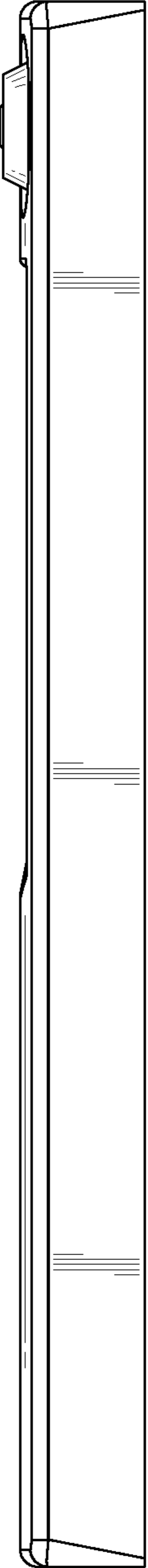


FIG. 7



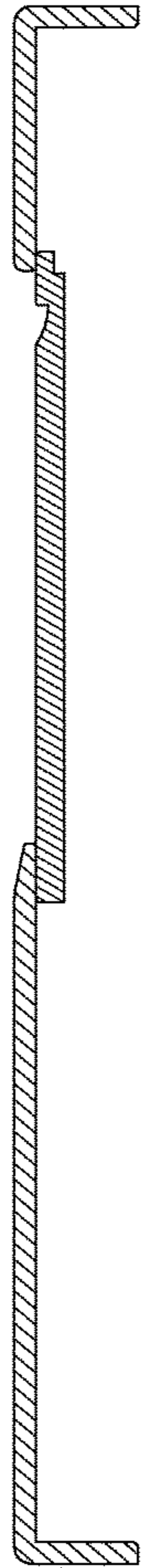


FIG. 8