



US00D795240S

(12) **United States Design Patent**
Kaufman

(10) **Patent No.:** **US D795,240 S**

(45) **Date of Patent:** **** Aug. 22, 2017**

(54) **HOLDER FOR AN ELECTRONIC DEVICE
SUCH AS A TABLET, OR PHONE**

(71) Applicant: **Jason Scott Kaufman**, New York, NY
(US)

(72) Inventor: **Jason Scott Kaufman**, New York, NY
(US)

(**) Term: **14 Years**

(21) Appl. No.: **29/497,479**

(22) Filed: **Jul. 24, 2014**

(51) **LOC (10) Cl.** **14-03**

(52) **U.S. Cl.**
USPC **D14/253**

(58) **Field of Classification Search**
USPC D14/253, 251, 240, 217, 496
CPC H04M 1/00; H04M 1/04; H04M 1/06;
H04M 1/11

See application file for complete search history.

(56) **References Cited**

U.S. PATENT DOCUMENTS

D374,596 S *	10/1996	Delchev	D14/217
D398,451 S *	9/1998	Sharpe	D6/323
D583,370 S *	12/2008	Grande	D14/253
D628,143 S *	11/2010	Riddiford	D12/415
D633,902 S *	3/2011	Tokuno	D14/244
8,081,432 B2 *	12/2011	Li	F16M 11/105 248/278.1

D681,420 S *	5/2013	Ileuov	D8/354
D693,818 S *	11/2013	Webber	D14/439
D696,673 S *	12/2013	Vogel	D14/447
D714,282 S *	9/2014	Cheon	D14/208
D722,437 S *	2/2015	Casesa	D14/253
D723,573 S *	3/2015	Padro	D14/447
D733,115 S *	6/2015	Aspinall	D14/253
D741,313 S *	10/2015	Moon	D14/253
D741,847 S *	10/2015	Jeon	D14/253
2013/0075563 A1 *	3/2013	Tsai	F16B 47/00 248/309.3

* cited by examiner

Primary Examiner — Cynthia Underwood

(74) *Attorney, Agent, or Firm* — Collard & Roe, P.C.

(57) **CLAIM**

The ornamental design for a holder for an electronic device such as a tablet, or phone, as shown and described.

DESCRIPTION

FIG. 1 is a side and front view of a holder for an electronic device such as a tablet, or phone;

FIG. 2 is a front, view thereof;

FIG. 3 is a back view thereof;

FIG. 4 is a right side view thereof;

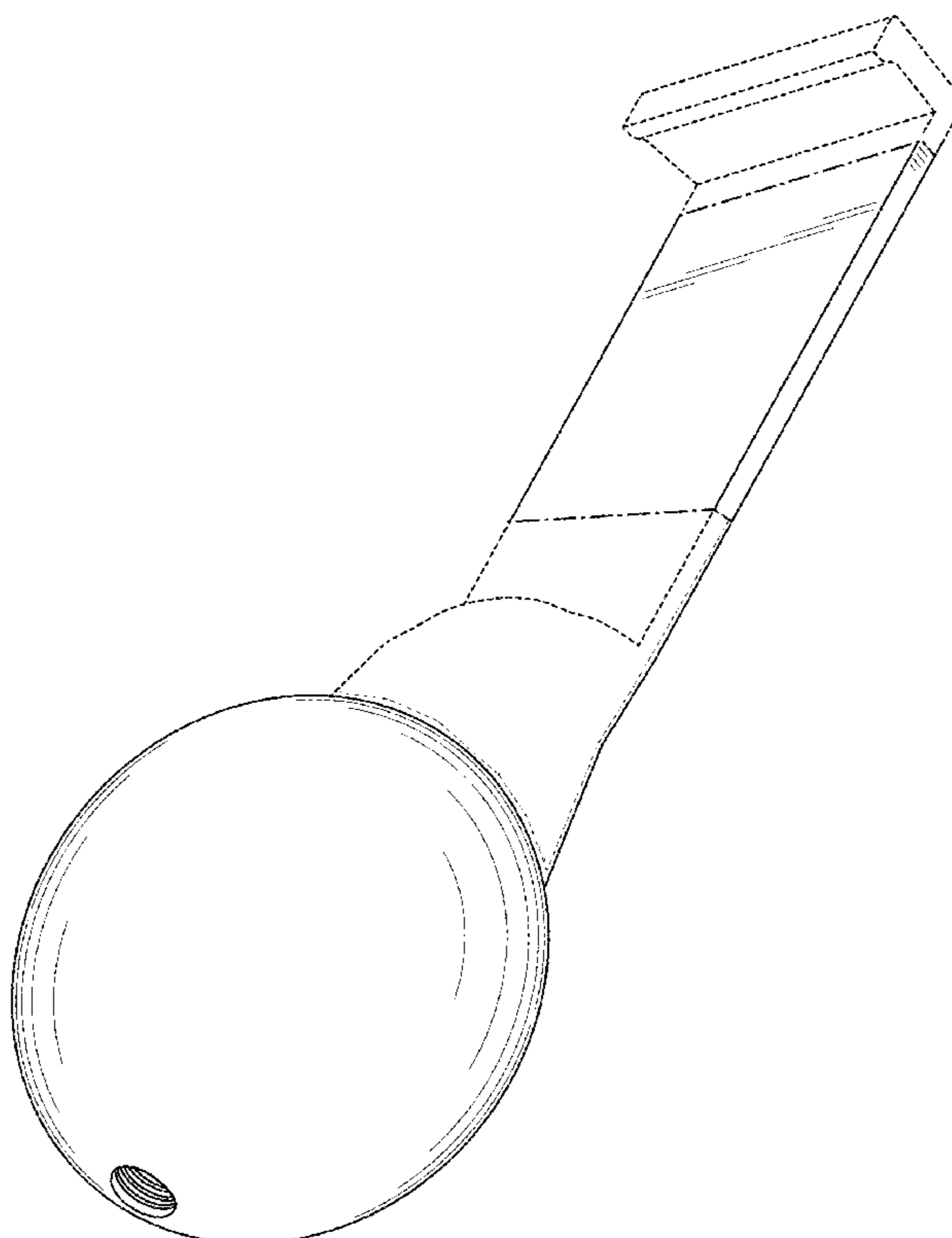
FIG. 5 is a left side view thereof;

FIG. 6 is a top view thereof; and,

FIG. 7 is a bottom view thereof.

The broken lines and areas within the broken lines illustrate portions of the holder that form no part of the claimed design.

1 Claim, 4 Drawing Sheets



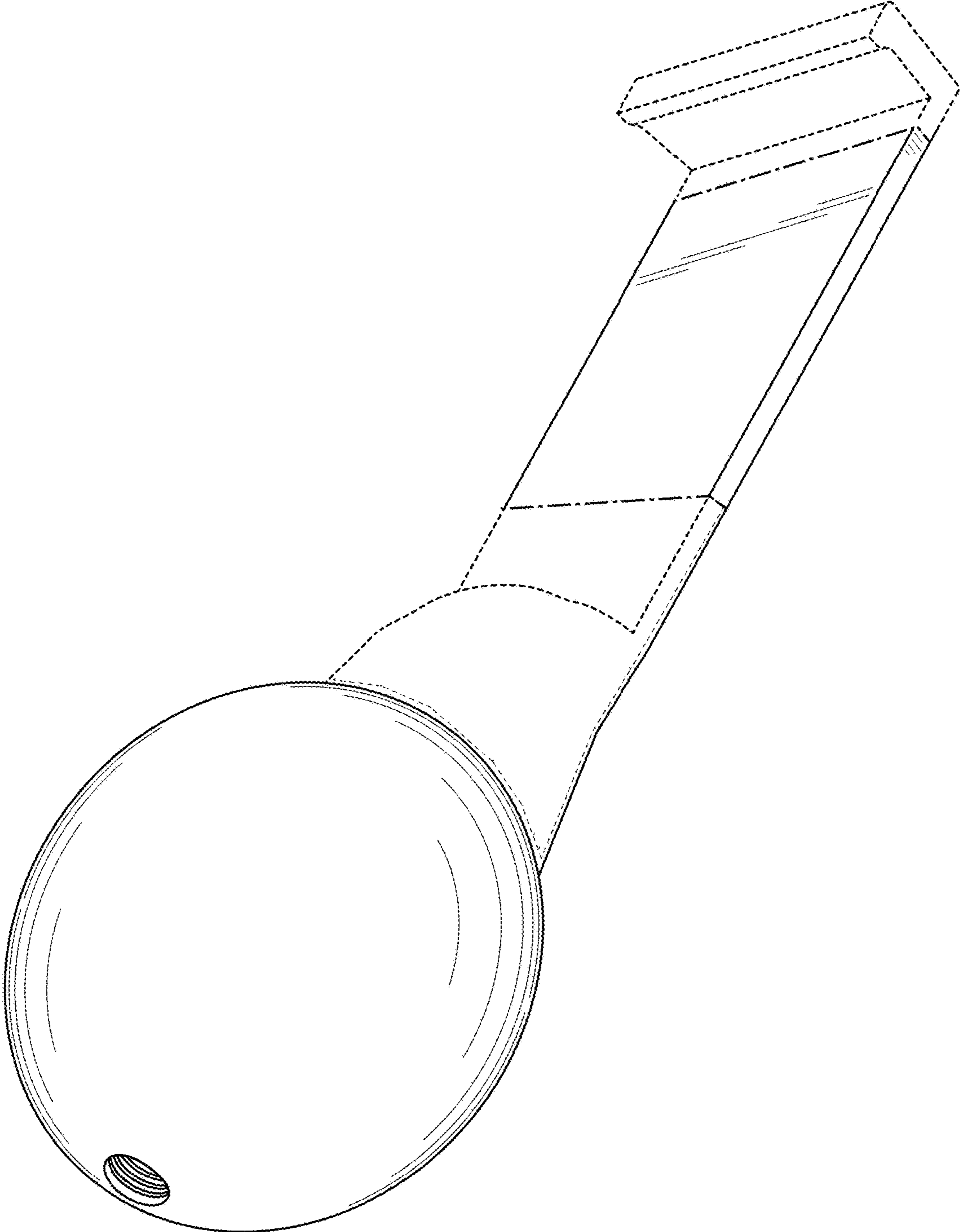


FIG. 1

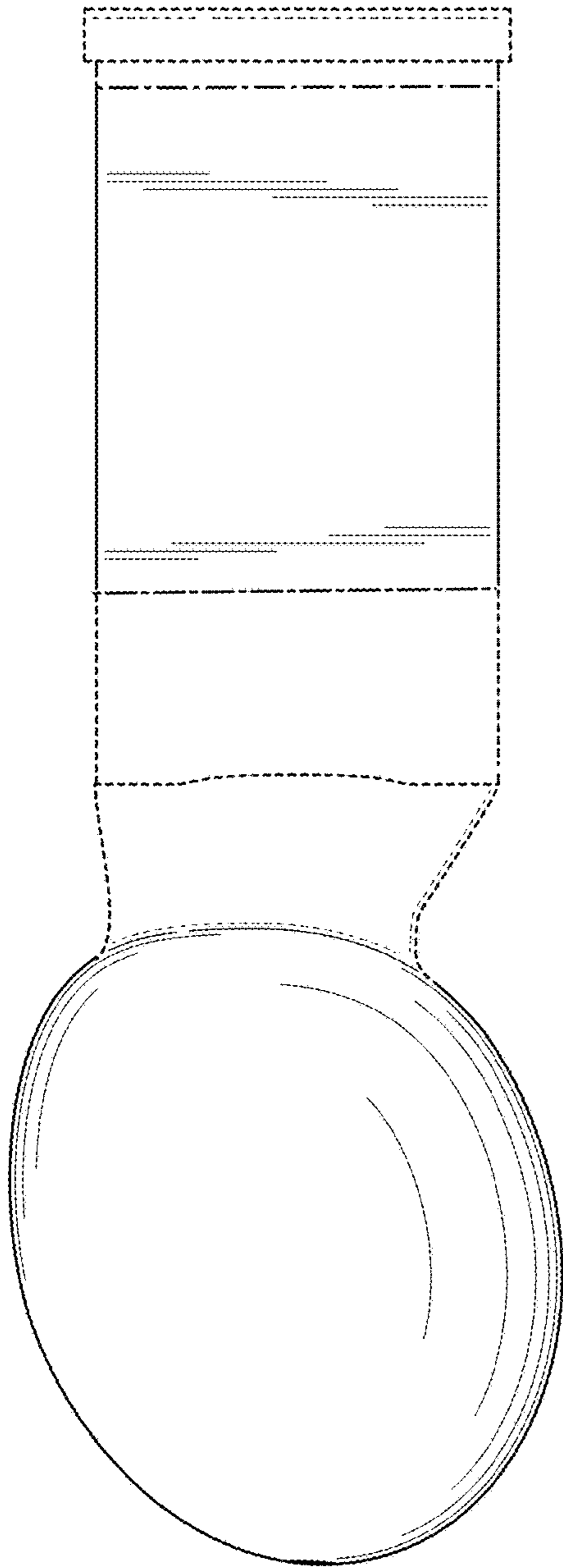


FIG. 2

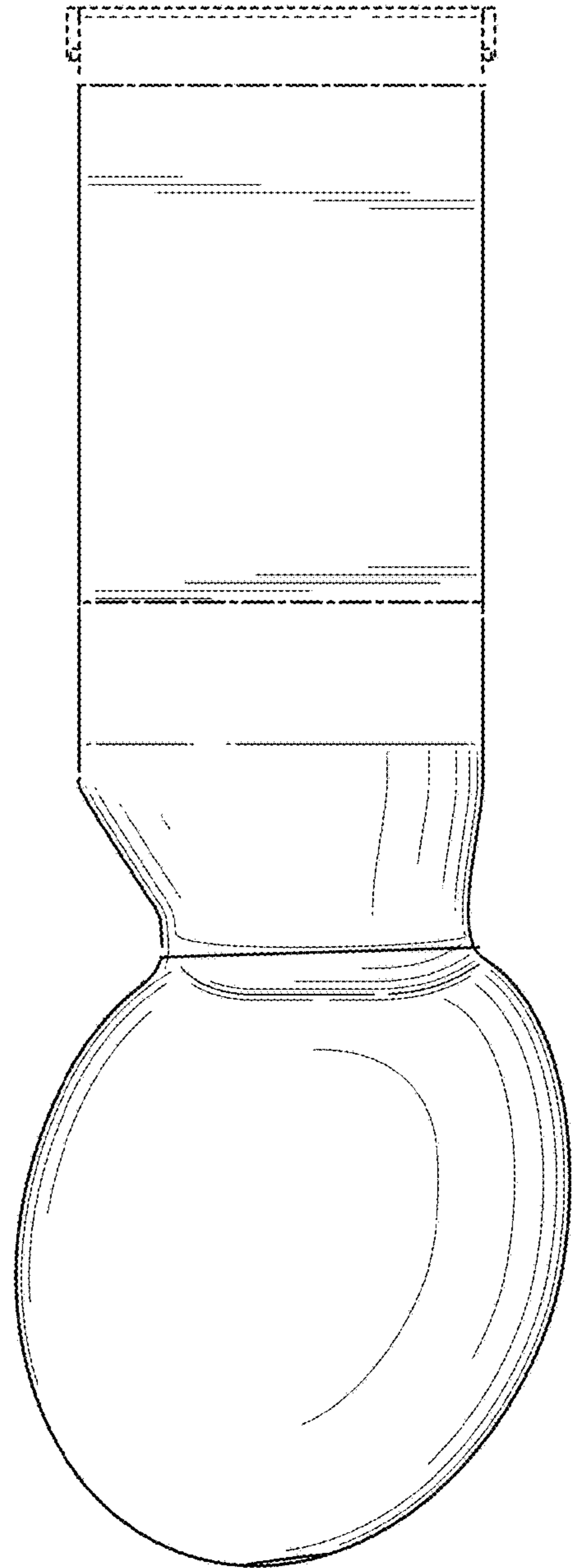


FIG. 3

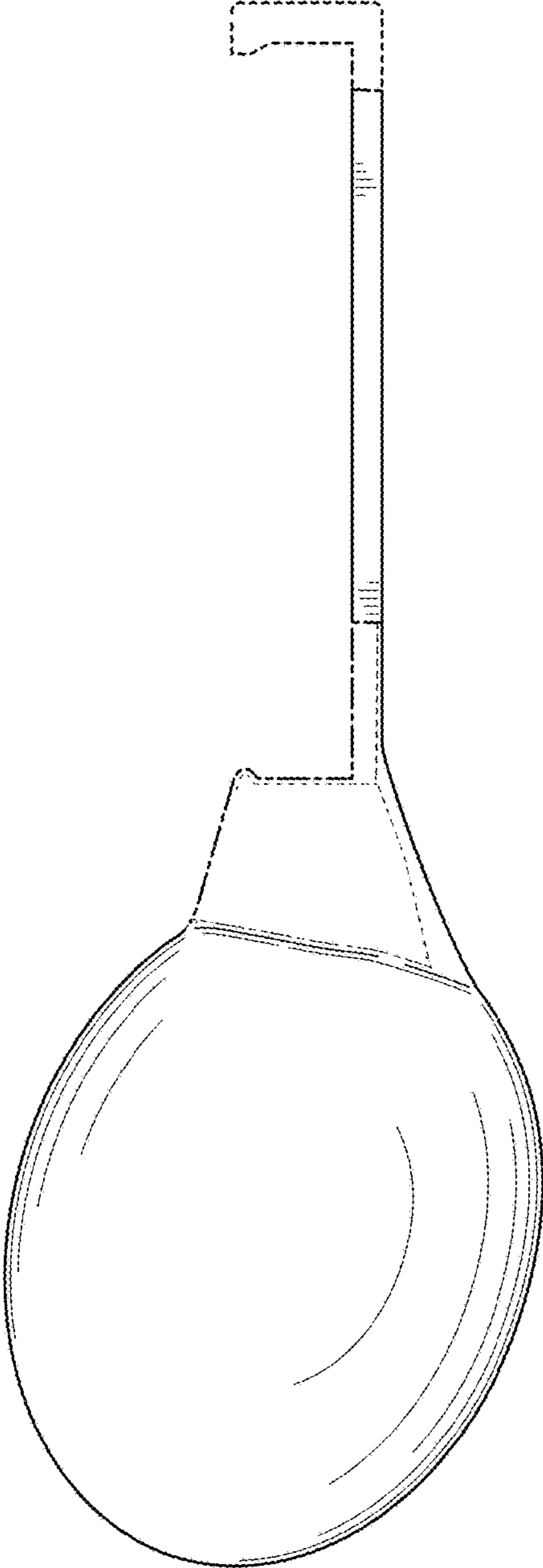


FIG. 4

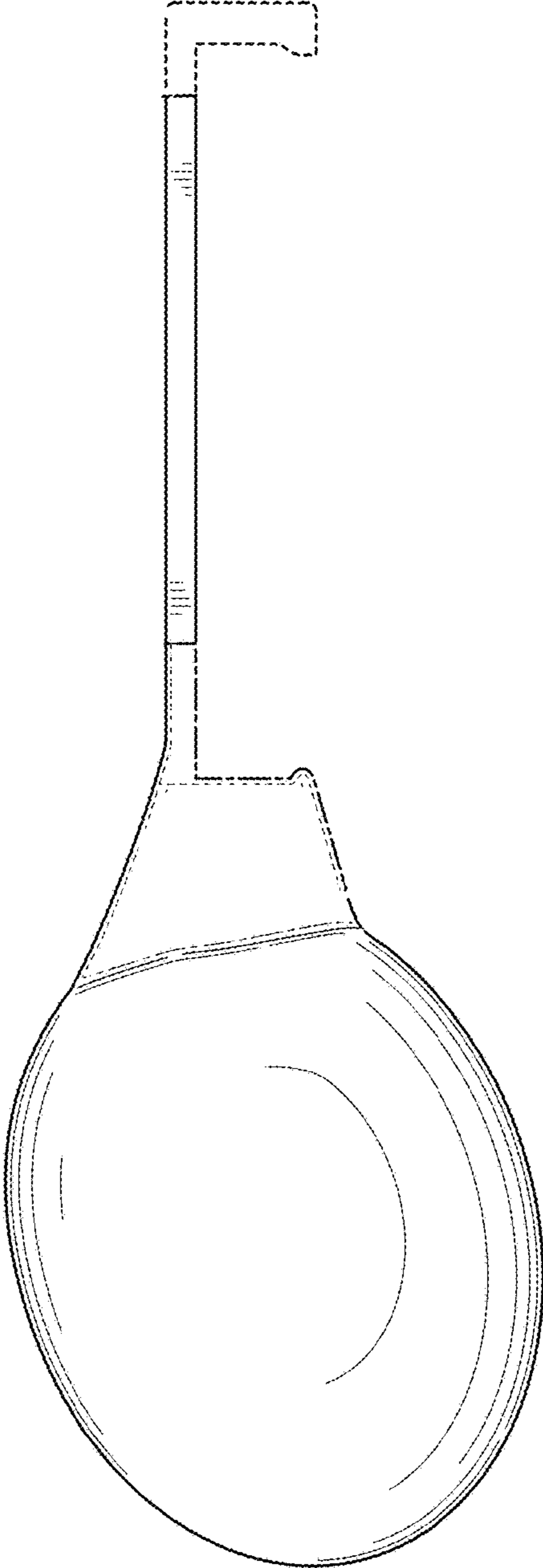


FIG. 5

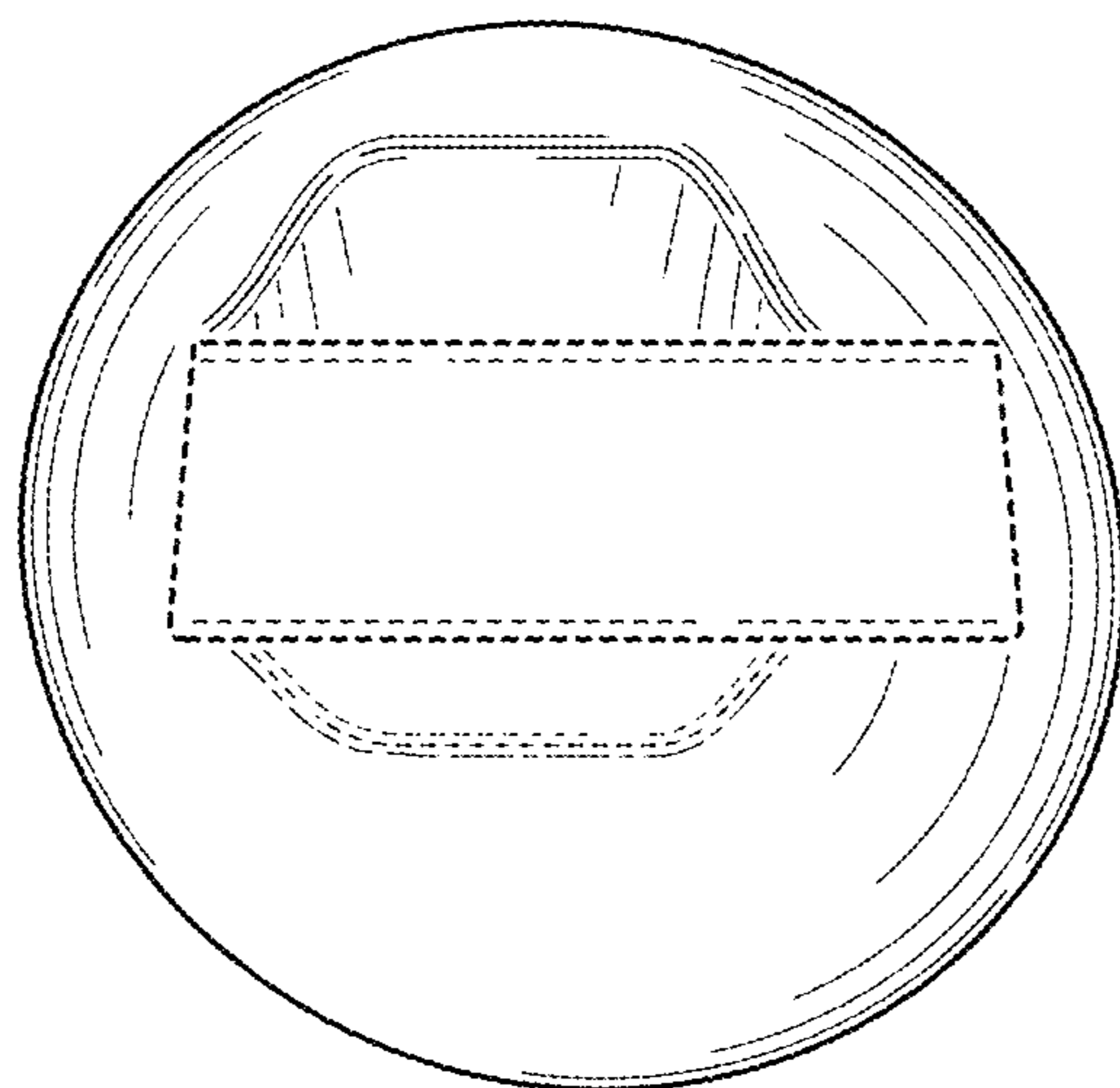


FIG. 6

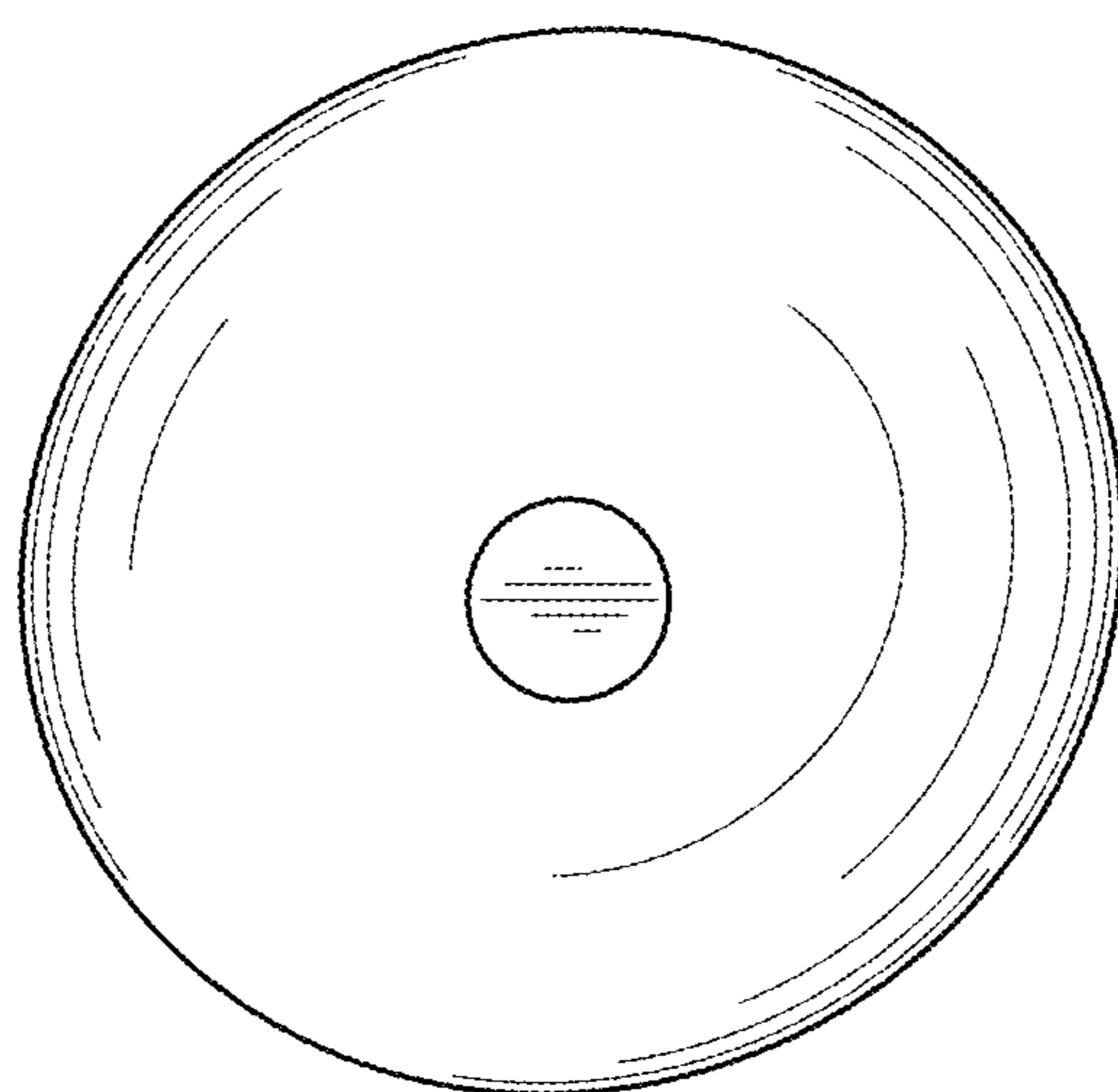


FIG. 7