



US00D795239S

(12) **United States Design Patent** (10) **Patent No.:** **US D795,239 S**
Batta (45) **Date of Patent:** **** Aug. 22, 2017**

- (54) **CELLULAR PHONE COVER**
- (71) Applicant: **Rohit Batta**, Chino, CA (US)
- (72) Inventor: **Rohit Batta**, Chino, CA (US)
- (**) Term: **15 Years**
- (21) Appl. No.: **29/564,080**
- (22) Filed: **May 10, 2016**
- (51) **LOC (10) Cl.** **14-03**
- (52) **U.S. Cl.**
USPC **D14/250**
- (58) **Field of Classification Search**
USPC D14/250; 455/575.8
CPC A45C 2011/002
See application file for complete search history.

D745,506 S * 12/2015 Barfoot D14/250
 D763,840 S * 8/2016 Hwang D14/250
 2014/0069825 A1 * 3/2014 Macrina B65D 81/022
 206/37

OTHER PUBLICATIONS

Zizo Bolt Case, posted at zizowireless.com, posting date Nov. 22, 2016, [online], [site visited Feb. 24, 2017]. Available from Internet, <URL: <https://www.zizowireless.com/collections/boltseries/products/1boltiph6splus?variant=24989398019>>.*

* cited by examiner

Primary Examiner — George D Kirschbaum
Assistant Examiner — Maria Edwards
 (74) *Attorney, Agent, or Firm* — Jen-Feng Lee, Esq.

(57) **CLAIM**

I claim the ornamental design for a cellular phone cover, as shown and described.

(56) **References Cited**

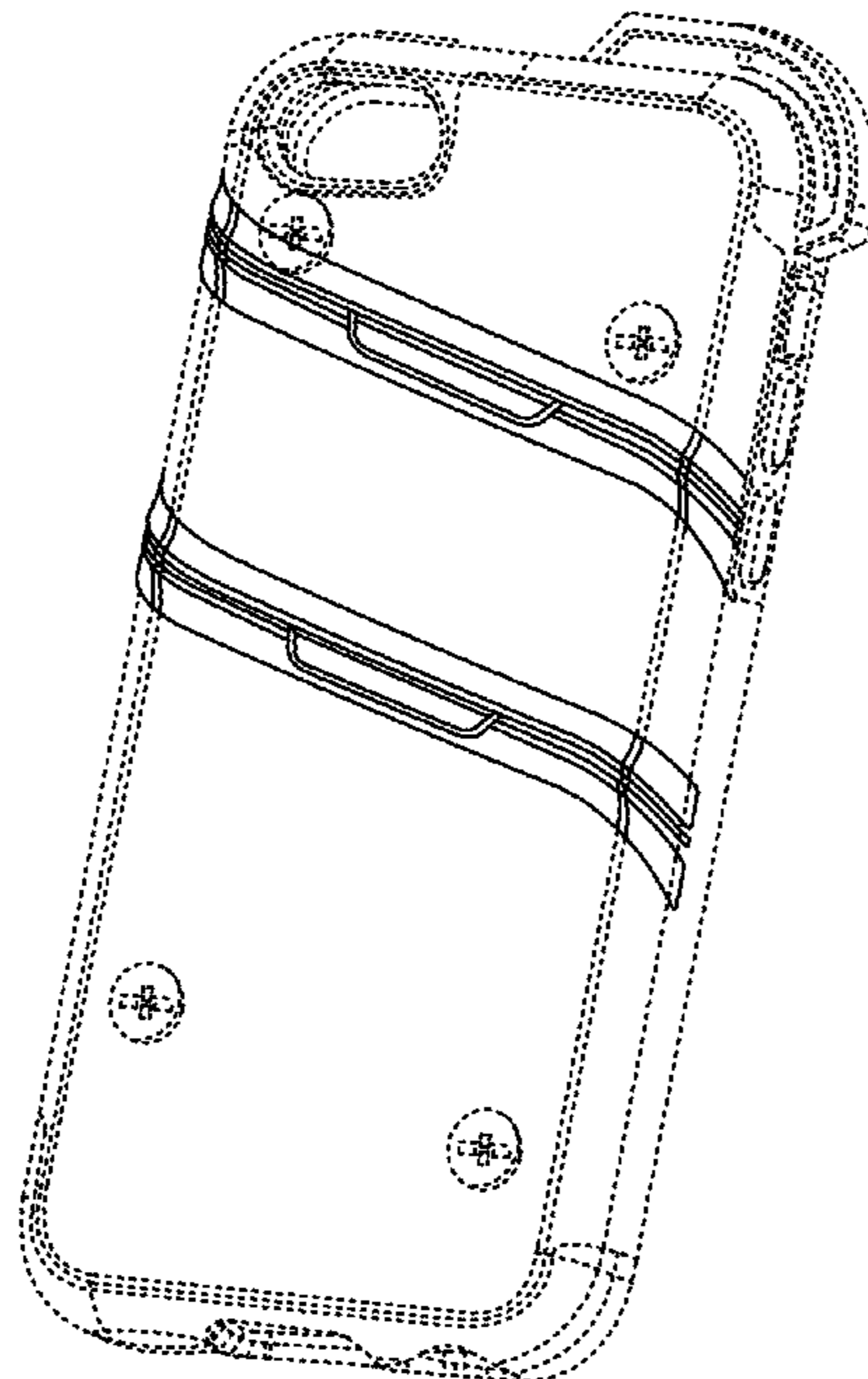
U.S. PATENT DOCUMENTS

- D606,305 S * 12/2009 Lee D3/269
- D624,065 S * 9/2010 Bosch D14/250
- D638,006 S * 5/2011 Chang D14/250
- D638,007 S * 5/2011 Chang D14/250
- D654,486 S * 2/2012 Chang D14/250
- D654,915 S * 2/2012 Weller D14/250
- D673,552 S * 1/2013 Weller D14/250
- D673,553 S * 1/2013 Weller D14/250
- D673,940 S * 1/2013 Chang D14/250
- D685,360 S * 7/2013 Chen D14/250
- D687,427 S * 8/2013 Peterson D14/250
- D689,851 S * 9/2013 Chang D14/250
- D707,215 S * 6/2014 Weller D14/250
- D709,064 S * 7/2014 Chang D14/250
- D725,642 S * 3/2015 Robertson D14/250
- D737,262 S * 8/2015 Jia D14/250
- D741,845 S * 10/2015 Kim D14/250

DESCRIPTION

FIG. 1 is a front perspective view of a cellular phone cover showing my new design,
 FIG. 2 is a front view thereof,
 FIG. 3 is a rear perspective view thereof,
 FIG. 4 is a rear view thereof,
 FIG. 5 is a right side view thereof,
 FIG. 6 is a left side view thereof,
 FIG. 7 is a bottom view thereof; and,
 FIG. 8 is a top view thereof.
 The broken lines depict environmental subject matter, are for illustration only and form no part of the claimed design.

1 Claim, 7 Drawing Sheets



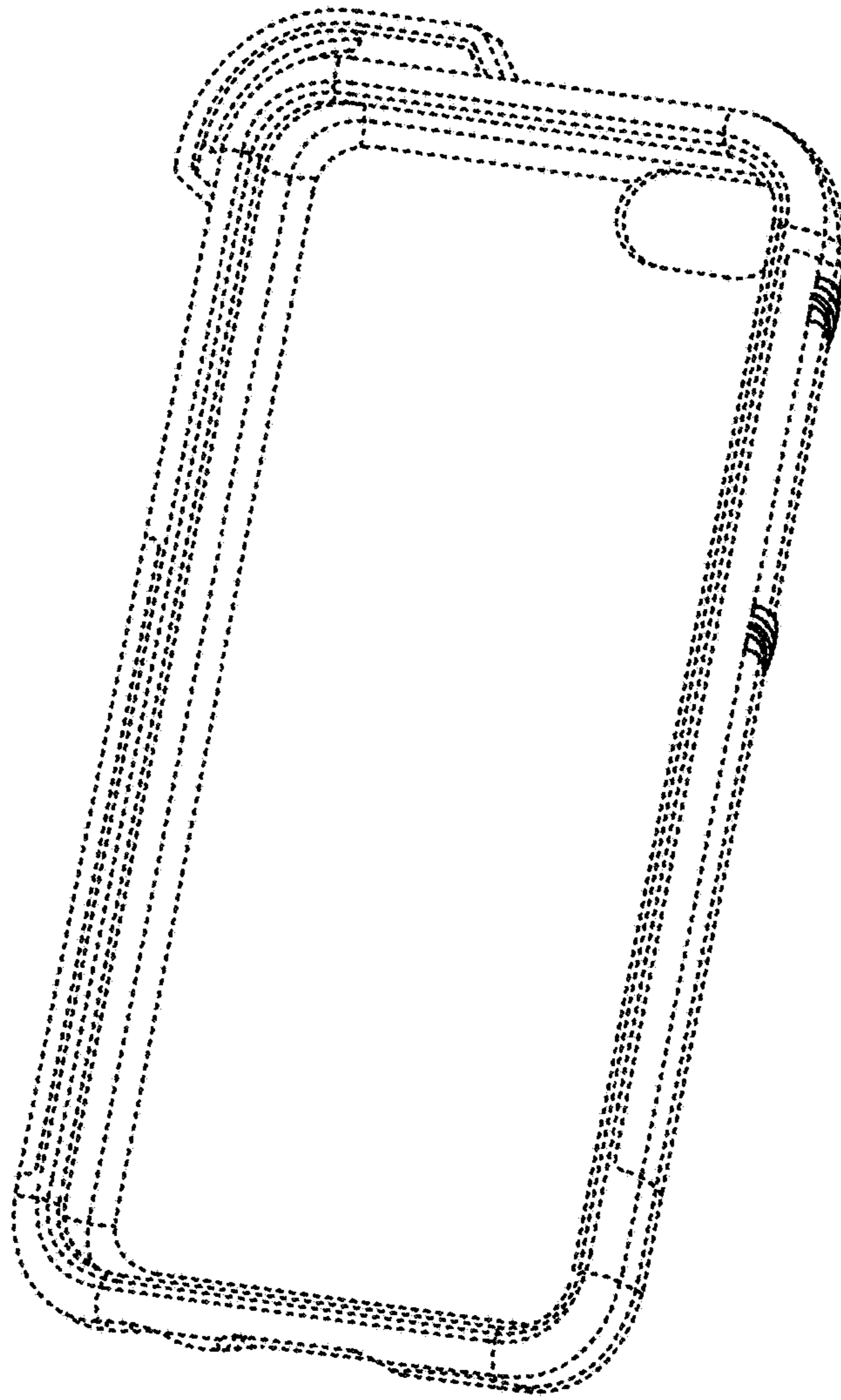


FIG. 1

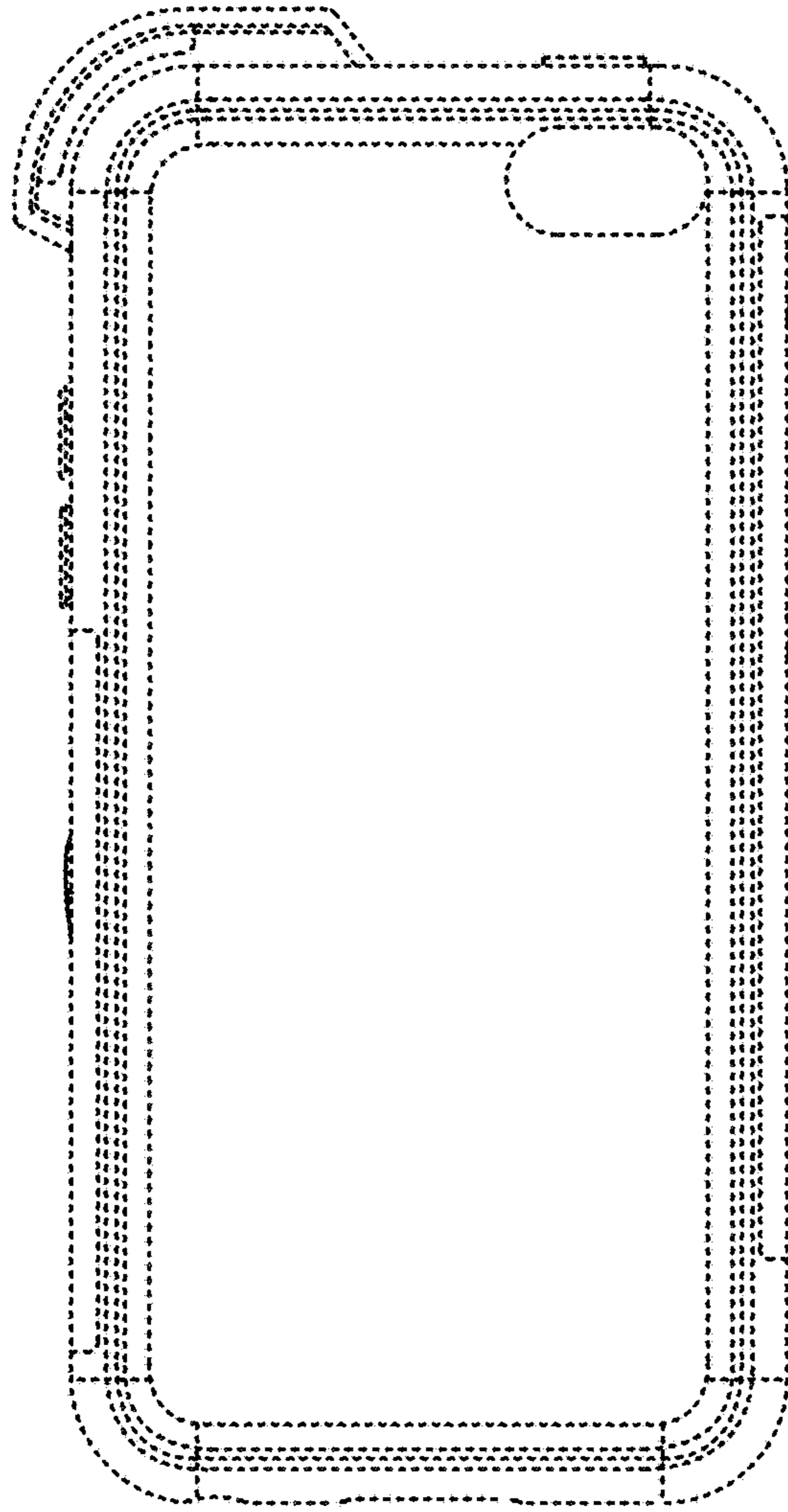


FIG. 2

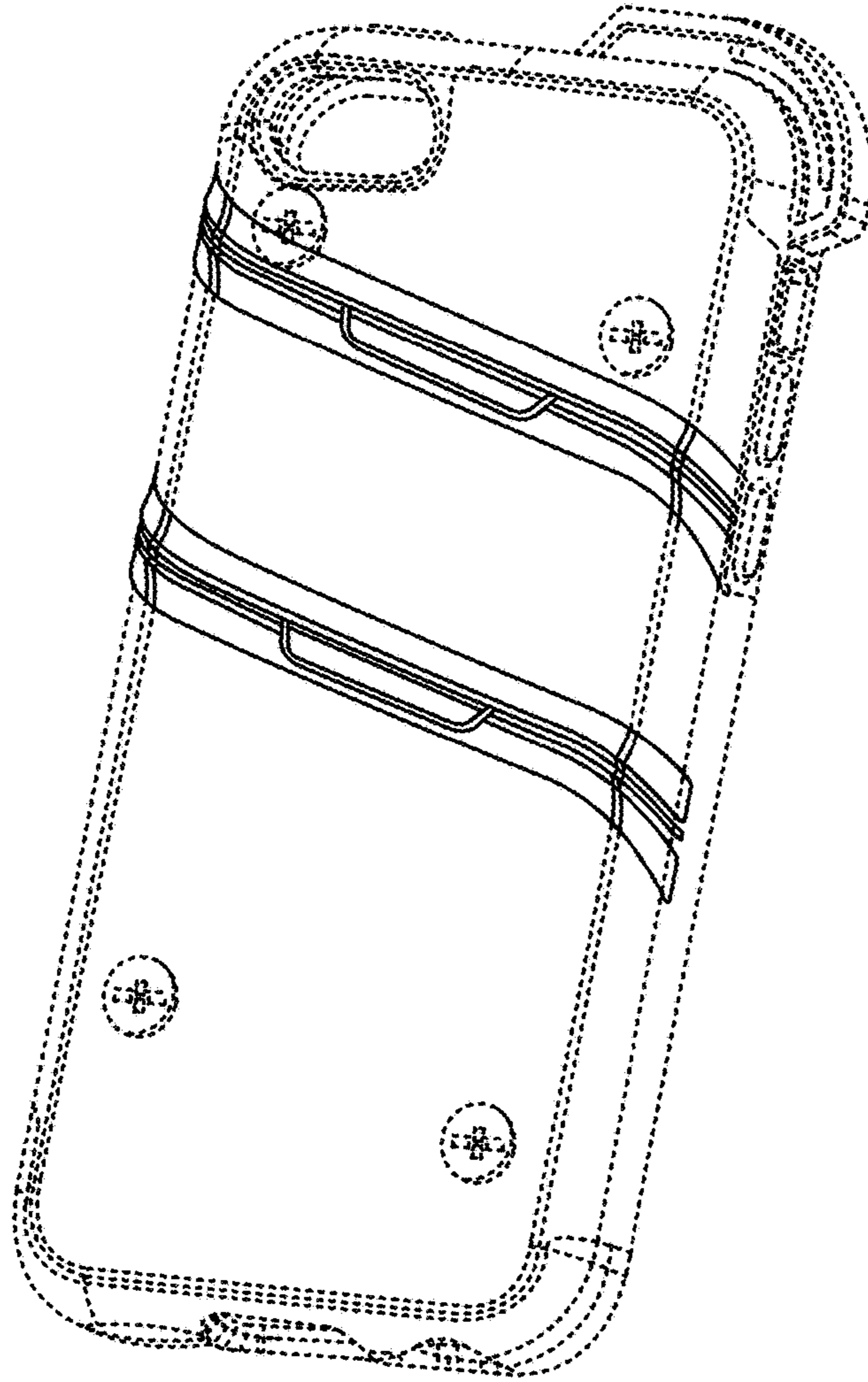


FIG. 3

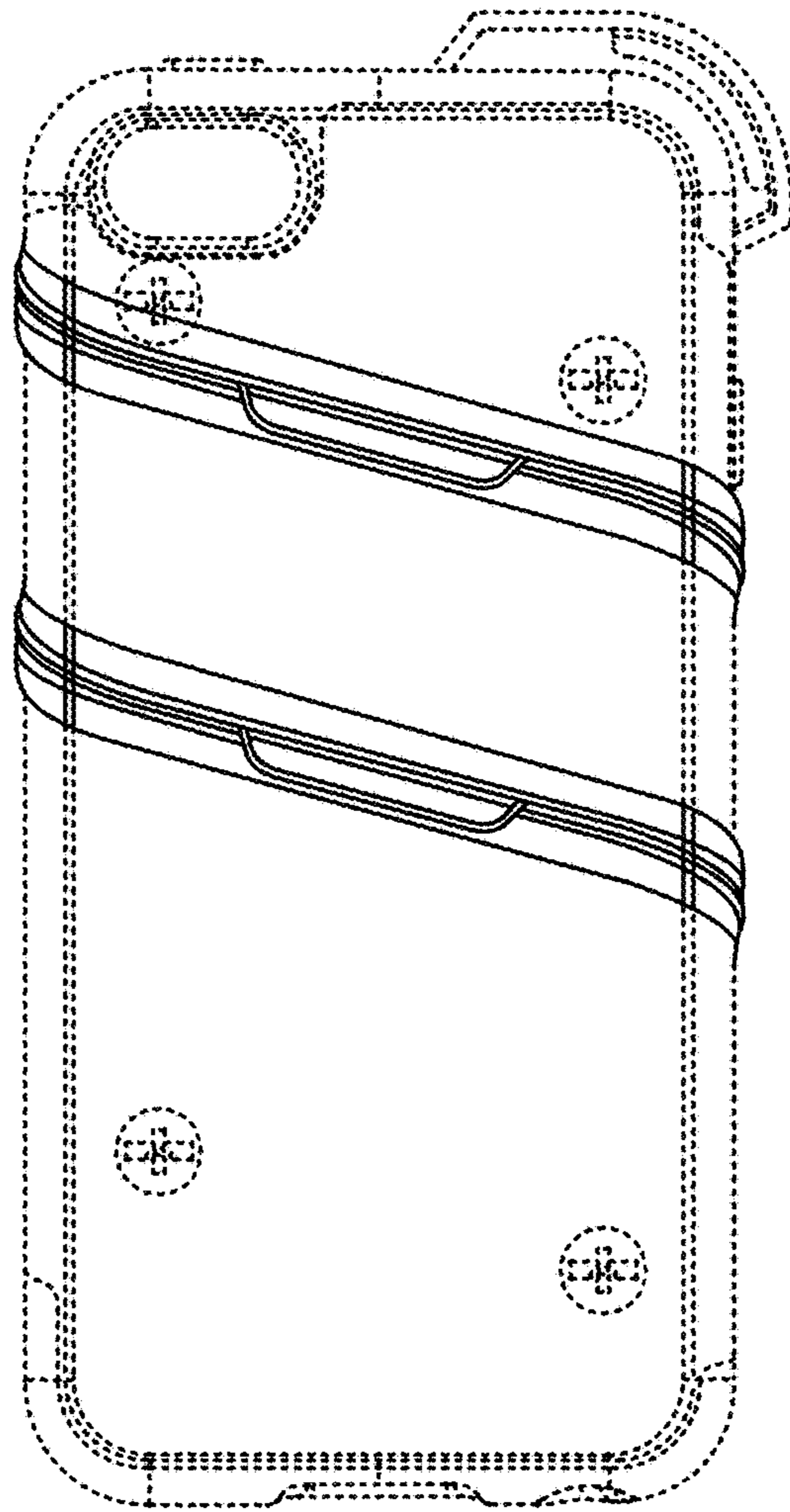


FIG. 4

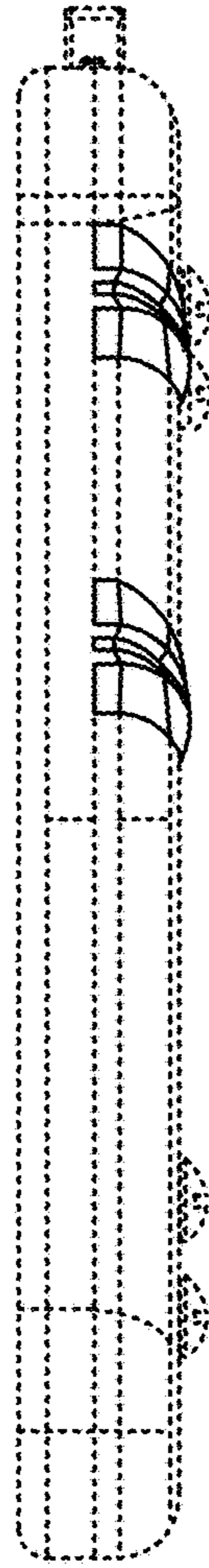


FIG. 5

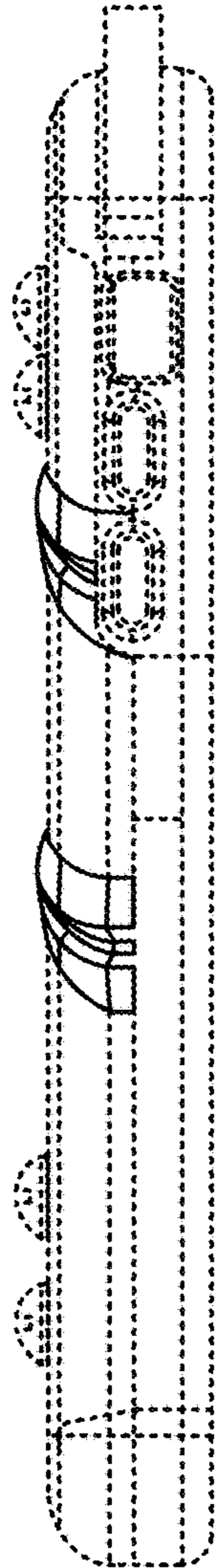


FIG. 6

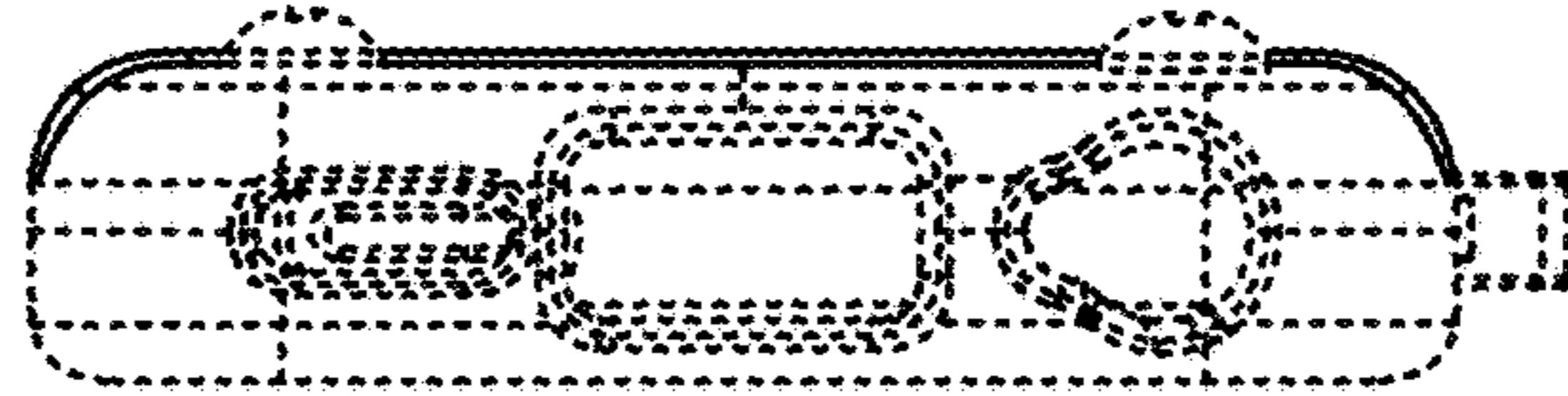


FIG. 7

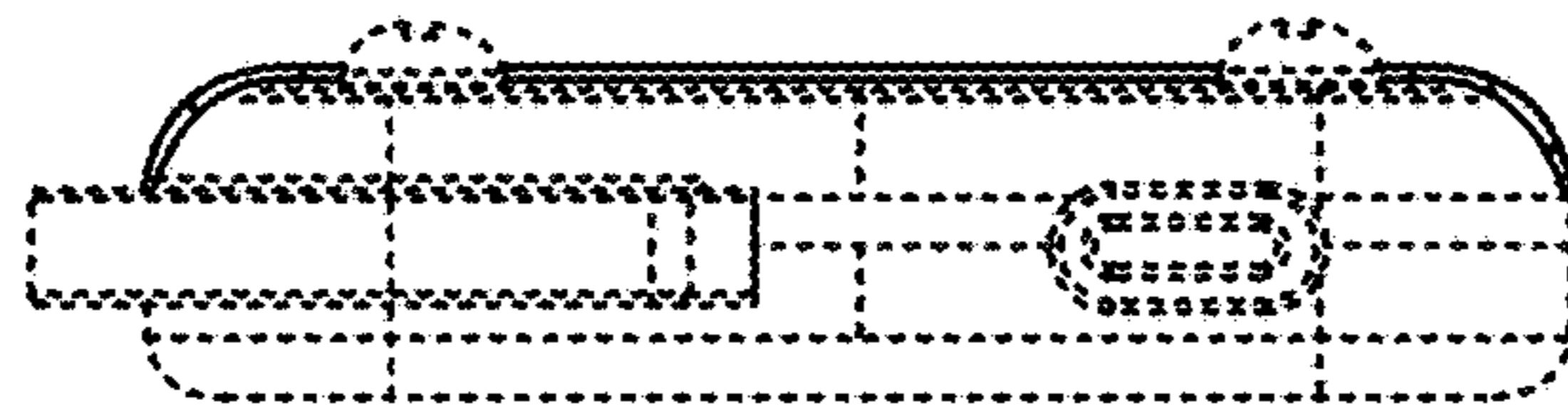


FIG. 8