



US00D795238S

(12) **United States Design Patent**  
**Kim**

(10) **Patent No.:** **US D795,238 S**

(45) **Date of Patent:** **\*\* Aug. 22, 2017**

(54) **MOBILE PHONE CASE**

(71) Applicant: **Ye Eun Kim**, Daegu (KR)

(72) Inventor: **Ye Eun Kim**, Daegu (KR)

(\*\*) Term: **15 Years**

(21) Appl. No.: **29/560,184**

(22) Filed: **Apr. 4, 2016**

(30) **Foreign Application Priority Data**

Oct. 2, 2015 (KR) ..... 30-2015-0049854

(51) **LOC (10) Cl.** ..... **14-03**

(52) **U.S. Cl.**  
USPC ..... **D14/250**

(58) **Field of Classification Search**  
USPC ..... D14/238.1, 440, 203.3-203.7, 217, 240,  
D14/447, 250, 251-253, 248; D3/201,  
D3/218, 247, 269, 273, 301, 303;  
D13/103, 107-108, 119  
CPC ..... H04B 1/3888; H04M 1/0283;  
H04M 1/0202; A45C 1/06;  
A45C 2011/002; A45C 11/00; A45C  
13/02; A45F 2005/026; A45F 2200/0525;  
A45F 2200/0516

See application file for complete search history.

(56) **References Cited**

**U.S. PATENT DOCUMENTS**

- D558,192 S \* 12/2007 Daly ..... D14/251
- 8,162,283 B1 \* 4/2012 Royz ..... F16M 11/10  
248/455
- D679,271 S \* 4/2013 Liu ..... D13/103
- D679,700 S \* 4/2013 Werth ..... D14/253
- 8,522,965 B1 \* 9/2013 Hsiung ..... H04B 1/3888  
206/320
- 8,746,449 B2 \* 6/2014 Gallagher ..... F16M 11/105  
206/320

- 8,767,395 B2 \* 7/2014 Yoo ..... G06F 1/1632  
16/252
- D712,391 S \* 9/2014 Kim ..... D14/250
- 8,857,773 B2 \* 10/2014 Krohn ..... G06F 1/1632  
206/756
- D717,777 S \* 11/2014 Hemesath ..... D14/250
- D719,951 S \* 12/2014 Fenton ..... D14/253
- 8,902,575 B2 \* 12/2014 Zhou ..... F16M 11/041  
248/127
- D720,739 S \* 1/2015 Liu ..... D14/250
- D732,543 S \* 6/2015 Westrup ..... D14/447
- D747,706 S \* 1/2016 Tien ..... D14/250
- D755,773 S \* 5/2016 Kim ..... D14/250
- D759,023 S \* 6/2016 Liu ..... D14/253
- 9,379,759 B2 \* 6/2016 Platt ..... H04B 1/3888
- D774,500 S \* 12/2016 Reese ..... D14/250
- D776,104 S \* 1/2017 Tien ..... D14/250
- D780,166 S \* 2/2017 Lin ..... D14/250

(Continued)

*Primary Examiner* — Carla Jobe Wright

(74) *Attorney, Agent, or Firm* — Novick, Kim & Lee,  
PLLC; Sang Ho Lee

(57) **CLAIM**

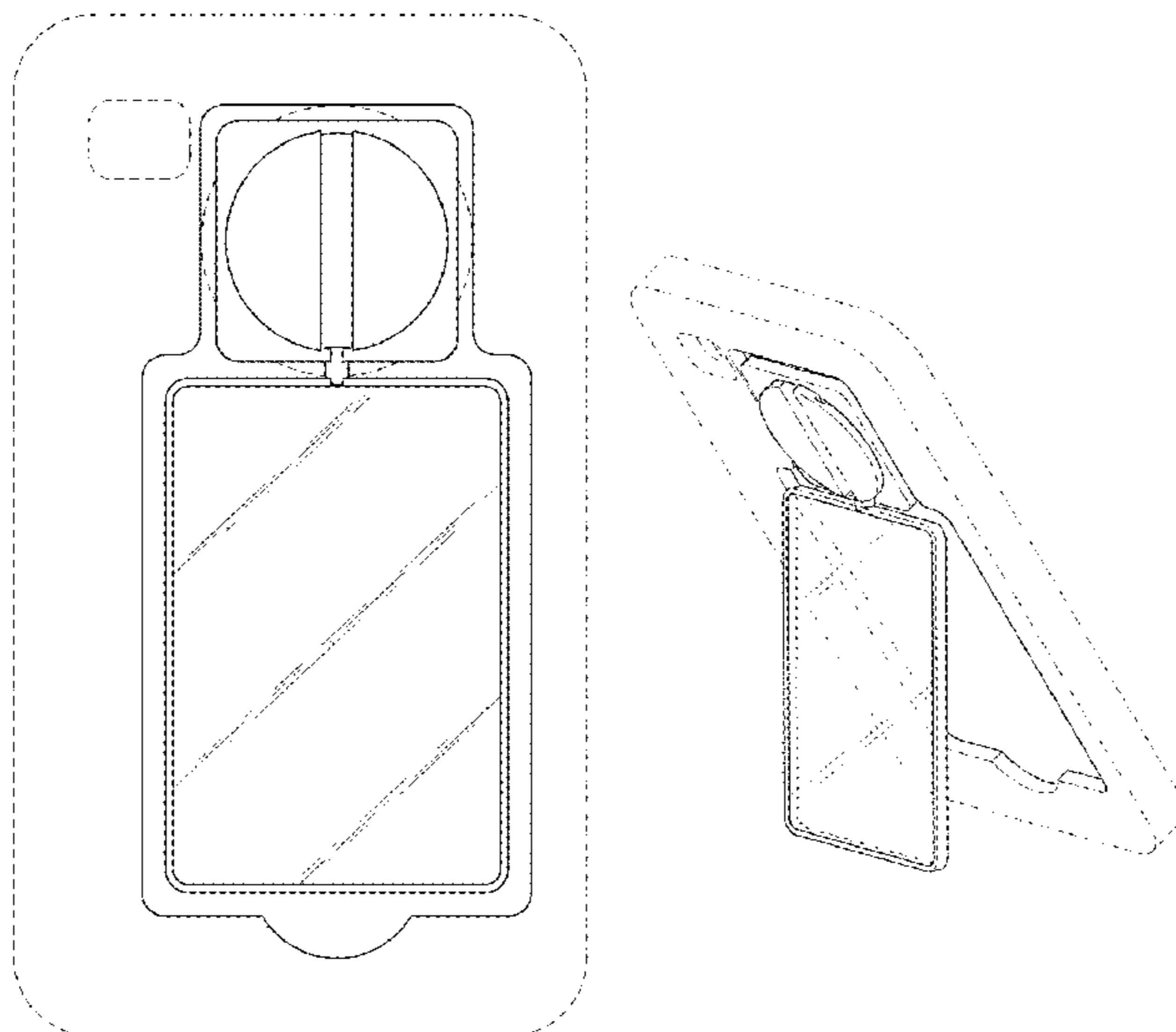
I claim the ornamental design for a mobile phone case, as shown and described.

**DESCRIPTION**

FIG. 1 is a top perspective view of a mobile phone case showing my new design;  
 FIG. 2 is a front elevational view thereof;  
 FIG. 3 is a rear elevational view thereof;  
 FIG. 4 is a left side elevational view thereof;  
 FIG. 5 is a right side elevational view thereof;  
 FIG. 6 is a top plan view thereof;  
 FIG. 7 is a bottom plan view thereof; and,  
 FIG. 8 is another top perspective view thereof, wherein an element of the mobile phone case is shown in an alternate extended position.

The broken lines in the drawings show environmental subject matter that forms no part of the claimed design.

**1 Claim, 6 Drawing Sheets**



(56)

**References Cited**

U.S. PATENT DOCUMENTS

2010/0072334 A1\* 3/2010 Le Gette ..... F16M 11/041  
248/176.3  
2014/0262854 A1\* 9/2014 Chen ..... A45C 11/00  
206/45.24  
2016/0045002 A1\* 2/2016 Butts ..... A45C 11/00  
224/191

\* cited by examiner

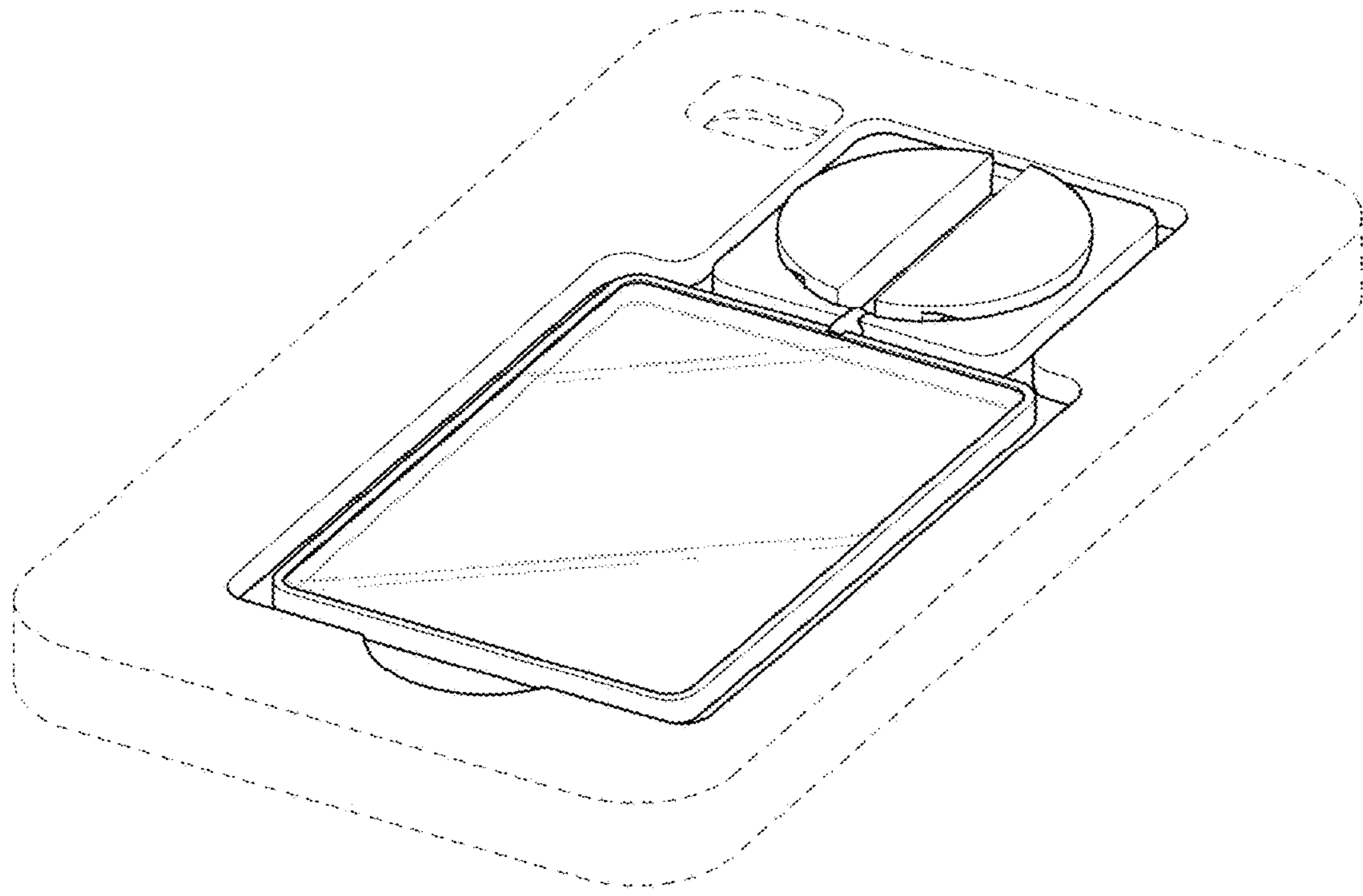
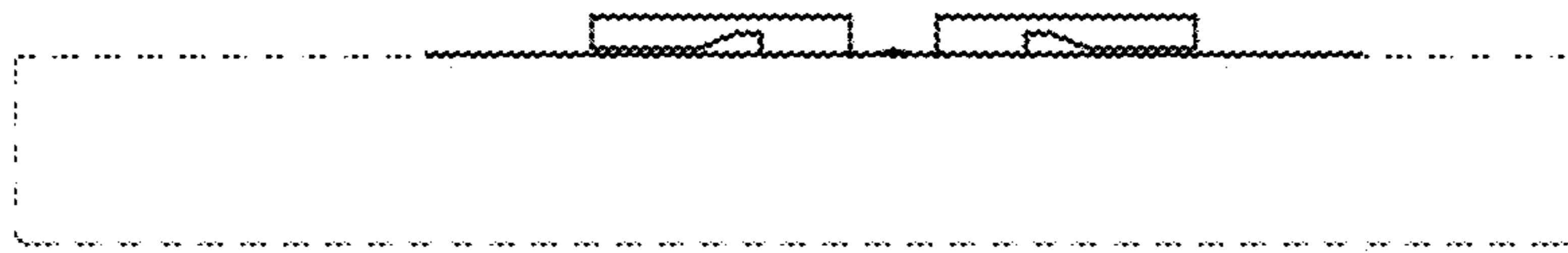
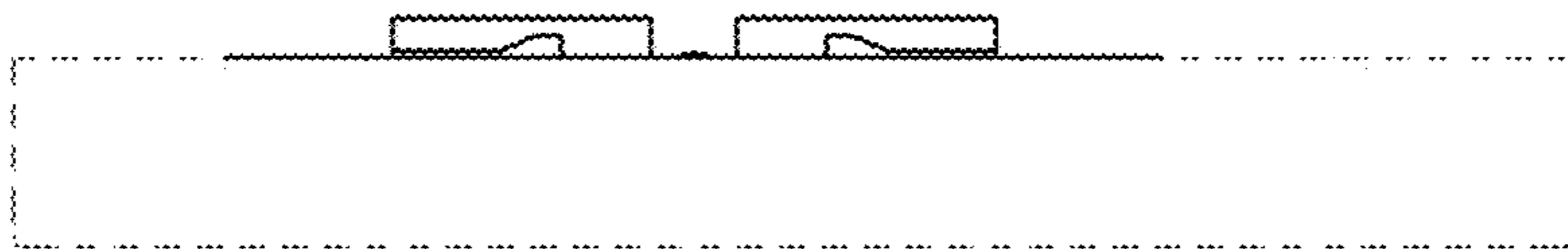


FIG. 1



**FIG. 2**



**FIG. 3**

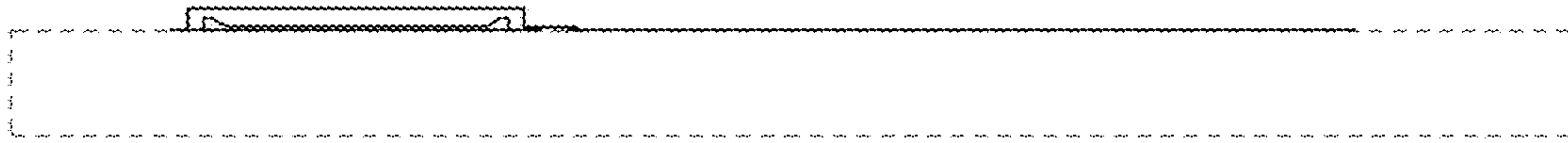


FIG. 4

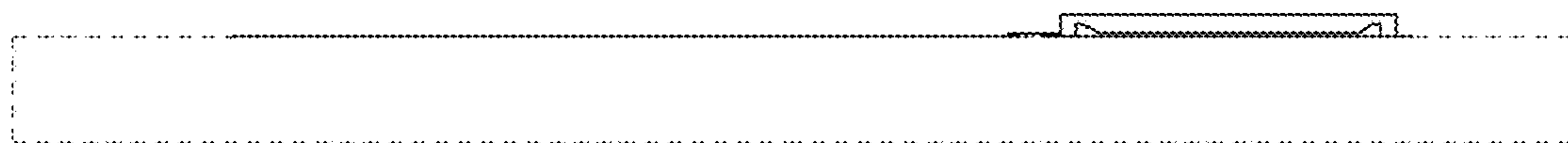


FIG. 5

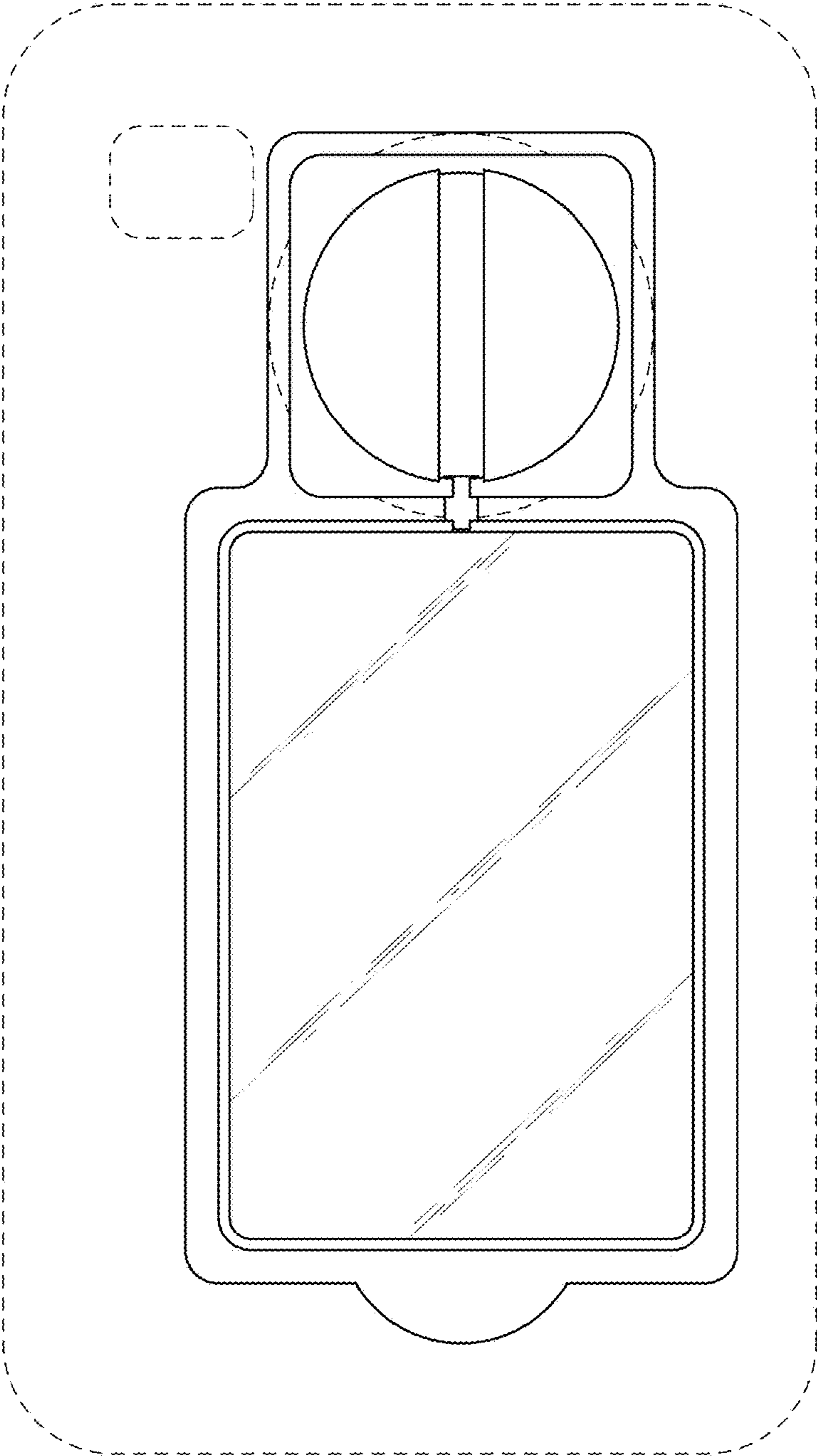
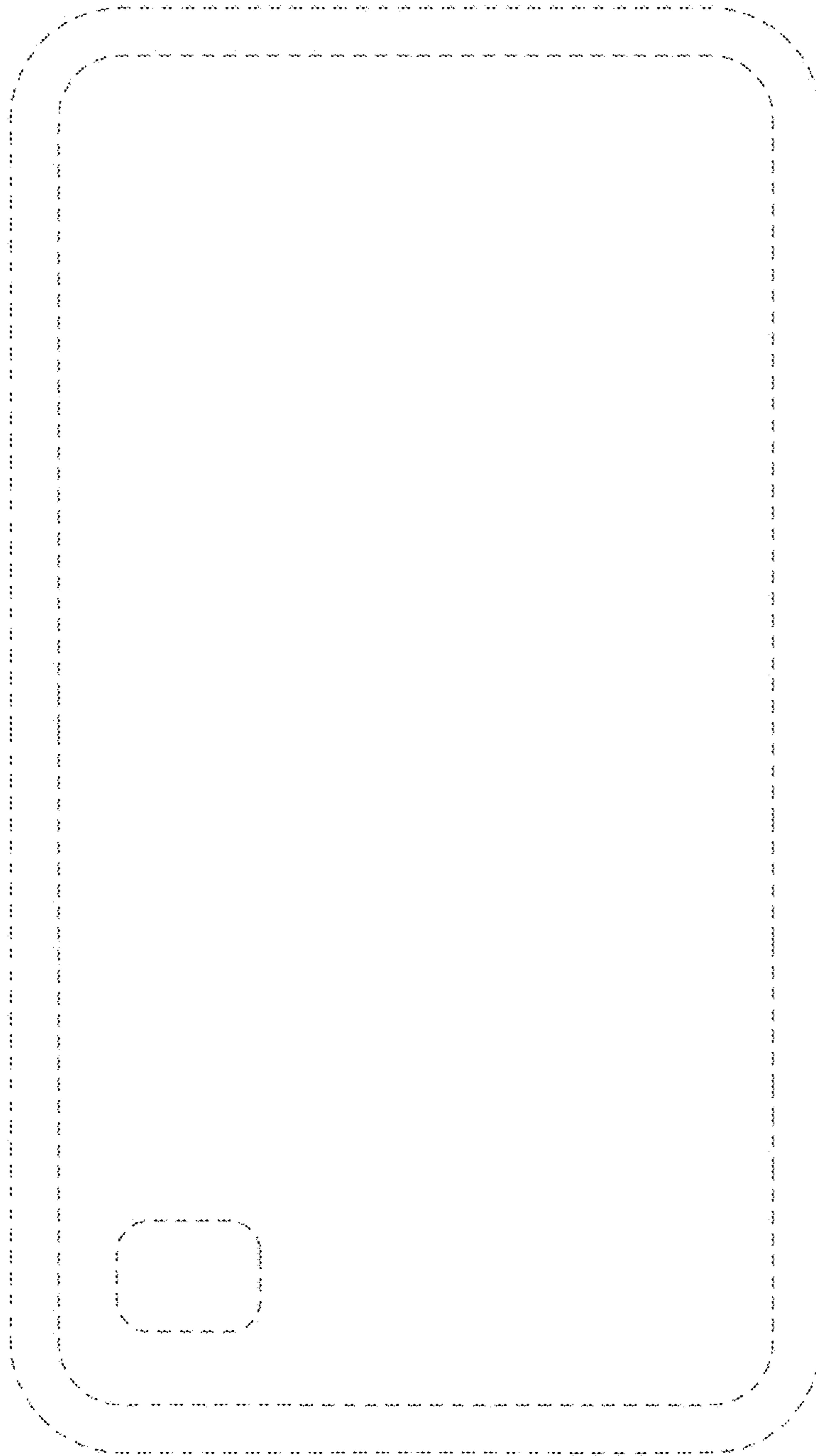


FIG 6



**FIG. 7**

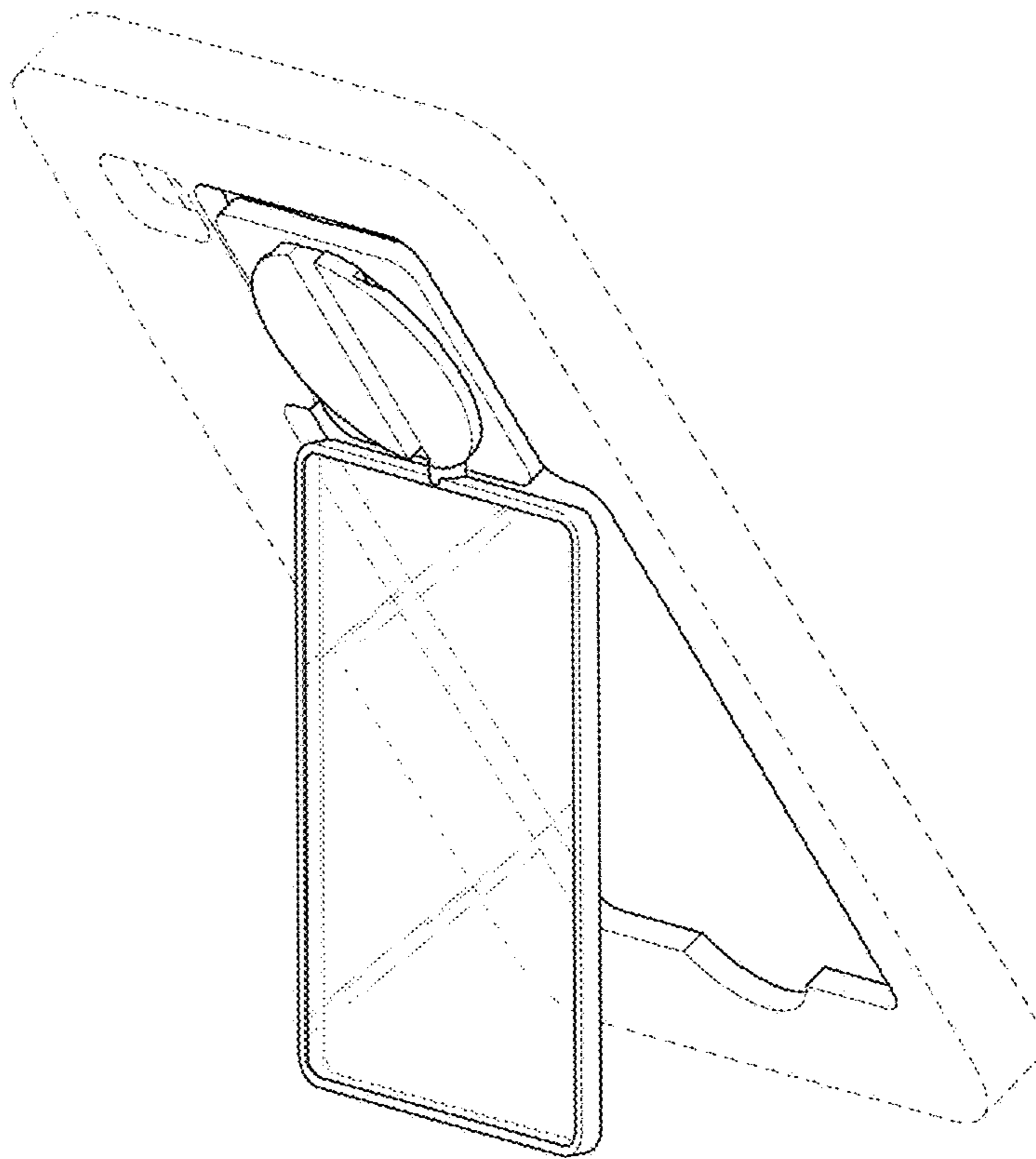


FIG. 8