



US00D795231S

(12) **United States Design Patent**  
**Bang et al.**

(10) **Patent No.:** **US D795,231 S**

(45) **Date of Patent:** **\*\* Aug. 22, 2017**

(54) **STAND FOR TELEVISION RECEIVER**

(71) Applicant: **SAMSUNG ELECTRONICS CO., LTD.**, Suwon-si (KR)

(72) Inventors: **Sung-II Bang**, Seoul (KR);  
**Kwang-Hyuck So**, Seoul (KR)

(73) Assignee: **Samsung Electronics Co., Ltd.**, Suwon-si (KR)

(\*\*) Term: **15 Years**

(21) Appl. No.: **29/570,755**

(22) Filed: **Jul. 12, 2016**

(30) **Foreign Application Priority Data**

Jan. 19, 2016 (KR) ..... 30-2016-0002514

(51) **LOC (10) Cl.** ..... **14-03**

(52) **U.S. Cl.**  
USPC ..... **D14/239**

(58) **Field of Classification Search**

USPC ..... D14/125-134, 239, 371, 136, 374-377,  
D14/440, 450, 448, 336, 342, 159;  
312/7.2; 348/836, 838, 180, 184, 325,  
348/739; 248/917-924, 465; 345/104,  
345/133, 156, 168, 87, 173; D21/329,  
D21/515, 577, 622, 333, 433, 448, 452,  
D21/450, 331, 505; D10/15, 26;  
446/484, 175, 356; D6/477, 479, 300;  
D24/185; D34/14

CPC ... G06F 1/1601; G06F 1/1643; H05K 5/0004;  
H05K 5/0017; H05K 5/02; H05K 5/0217

See application file for complete search history.

(56) **References Cited**

U.S. PATENT DOCUMENTS

D659,662 S 5/2012 Lv et al.  
D659,663 S 5/2012 Xu et al.

D709,842 S \* 7/2014 Lee ..... D14/126  
D711,333 S \* 8/2014 Kim ..... D14/126  
D716,777 S \* 11/2014 Kim ..... D14/239  
D718,287 S \* 11/2014 Lee ..... D14/239  
D723,528 S \* 3/2015 Choi ..... D14/239  
D727,879 S \* 4/2015 Lee ..... D14/239  
D758,983 S \* 6/2016 Kim ..... D14/126  
D760,706 S \* 7/2016 Son ..... D14/239

**FOREIGN PATENT DOCUMENTS**

CN 2014305129359 5/2015  
EM 001103220-0012 3/2009  
KR 30-2013-0063839 8/2014

\* cited by examiner

*Primary Examiner* — Randall Gholson

(74) *Attorney, Agent, or Firm* — NSIP Law

(57) **CLAIM**

We claim the ornamental design for a stand for television receiver, as shown and described.

**DESCRIPTION**

FIG. 1 is a front perspective view of a stand for television receiver showing our new design;  
FIG. 2 is a front view thereof;  
FIG. 3 is a rear view thereof;  
FIG. 4 is a left-side view thereof;  
FIG. 5 is a right-side view thereof;  
FIG. 6 is a top view thereof;  
FIG. 7 is a bottom view thereof; and,  
FIG. 8 is a perspective view of the stand for television receiver in which a television receiver is provided in broken lines to illustrate an example environment.  
The broken lines in the figures depict environmental subject matter and form no part of the claimed design.  
The dot-dash broken lines define the boundaries of the claimed design and form no part thereof.

**1 Claim, 7 Drawing Sheets**

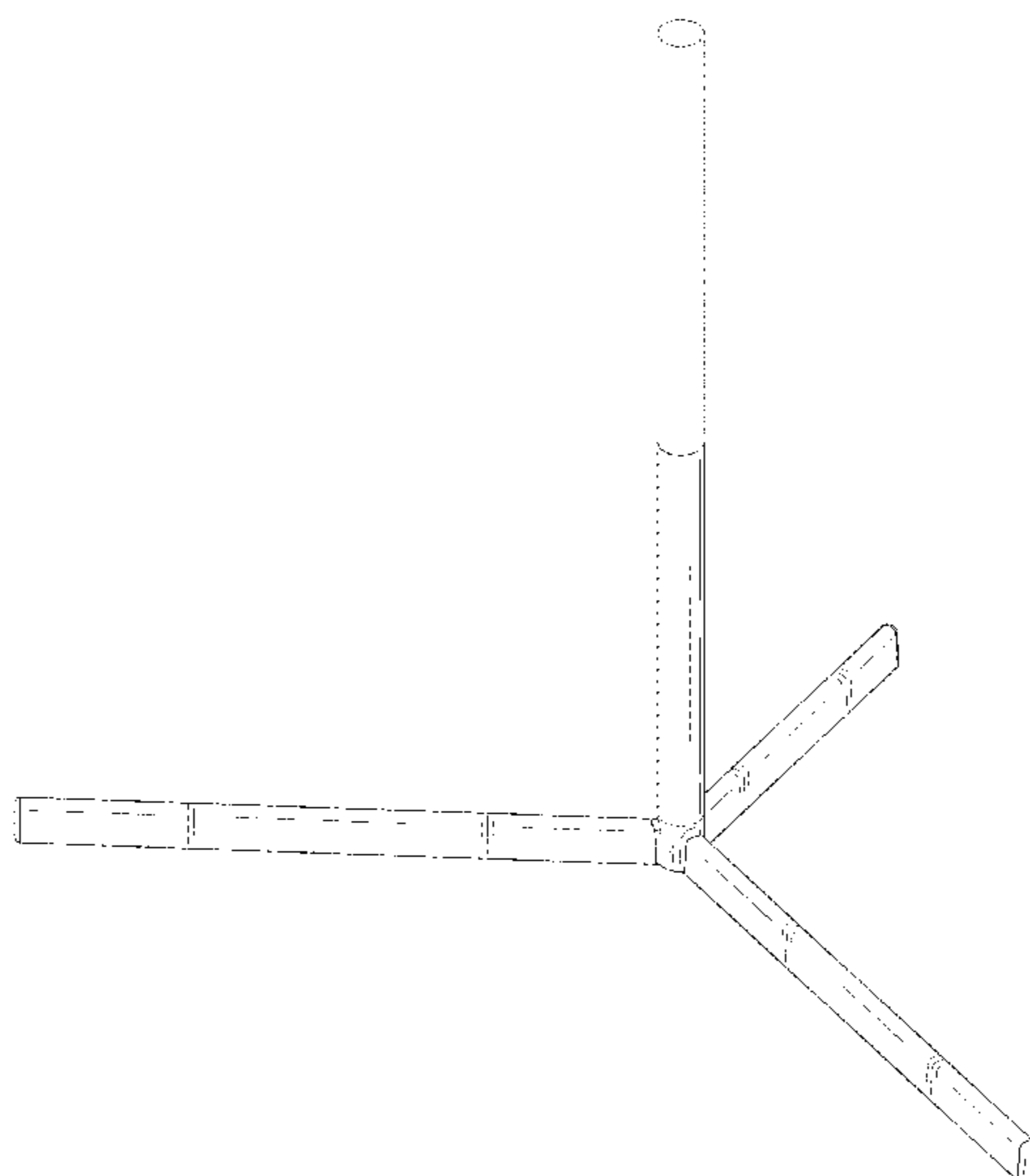


FIG. 1

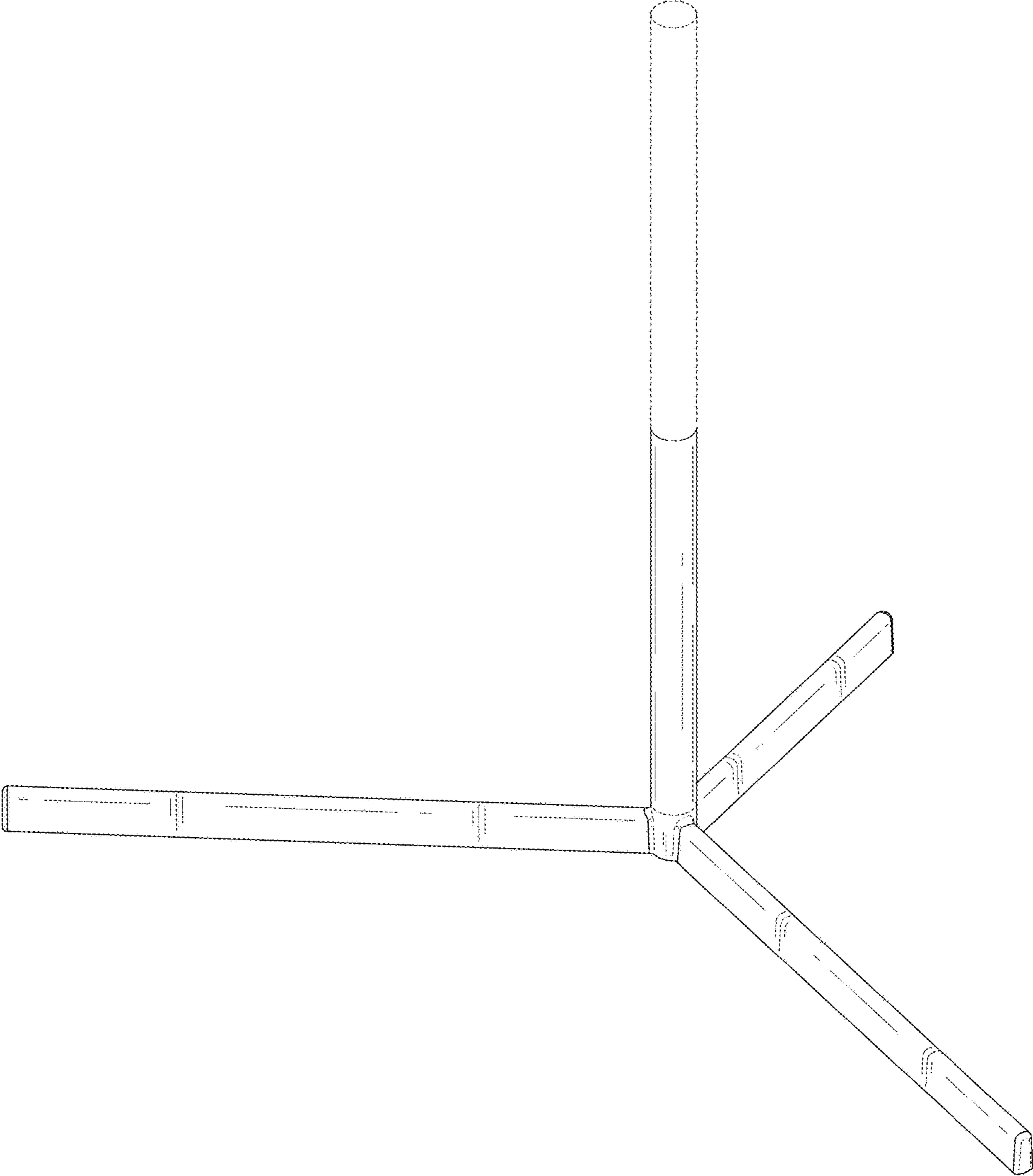


FIG. 2

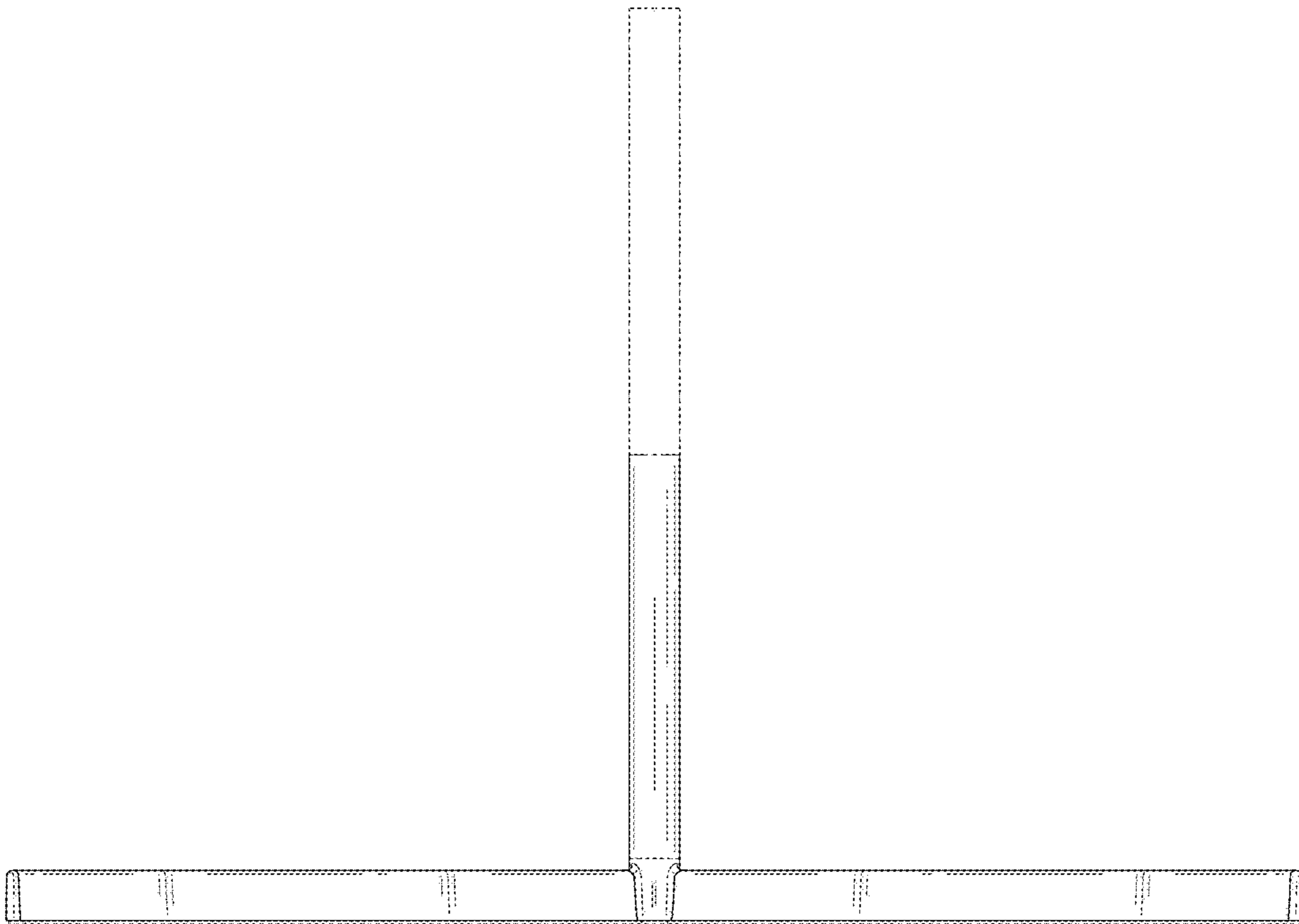


FIG. 3

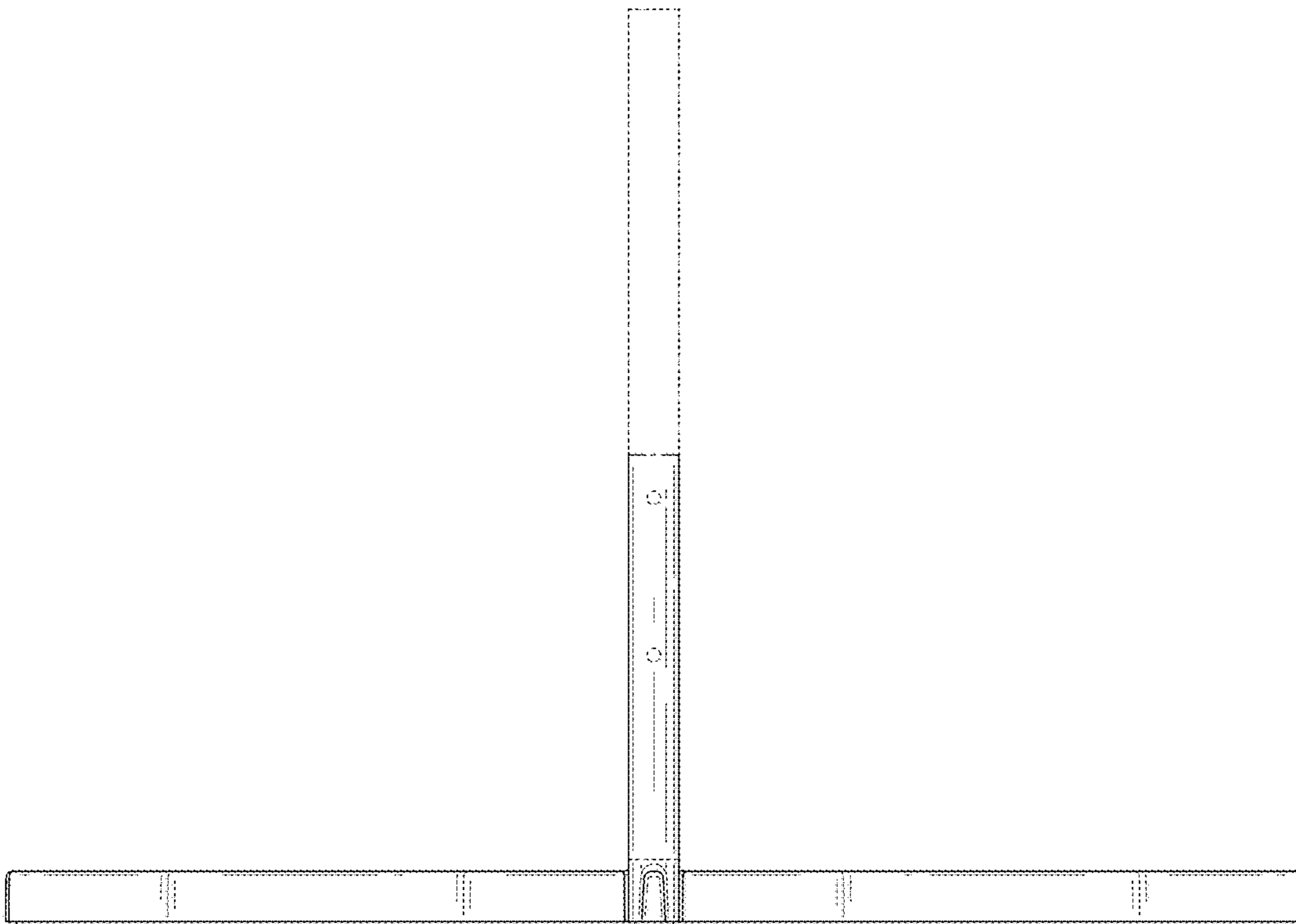


FIG. 4

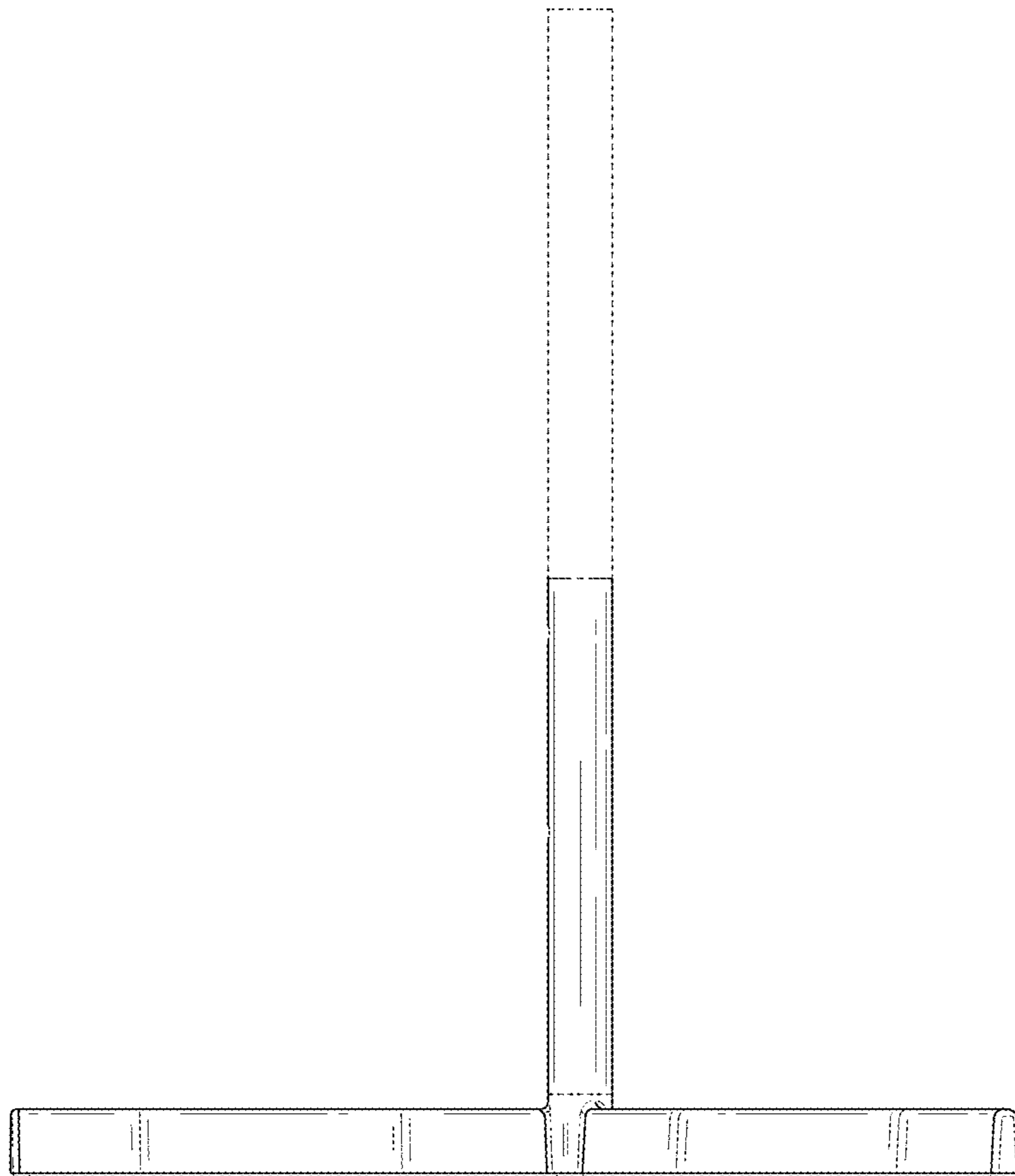


FIG. 5

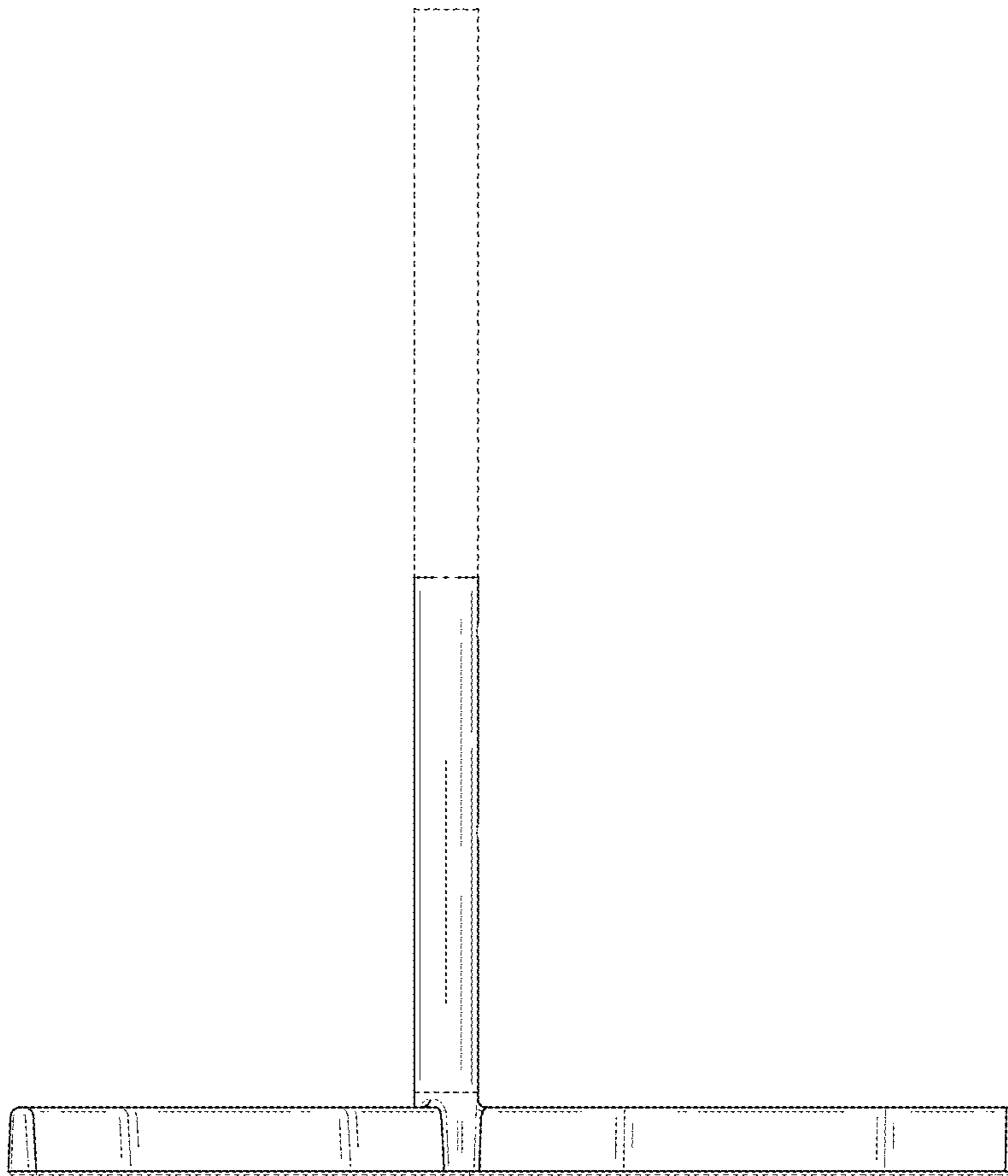


FIG. 6

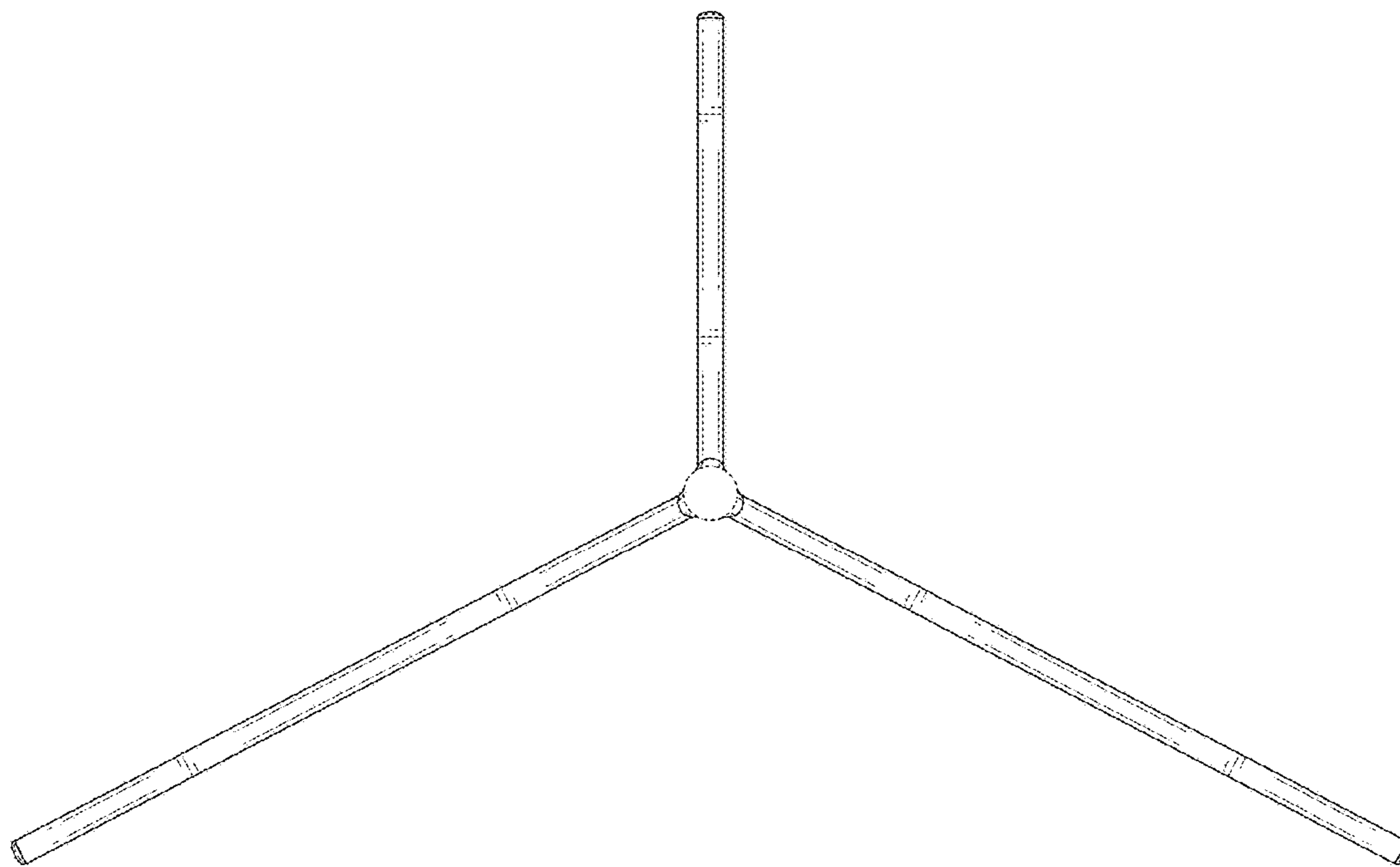


FIG. 7

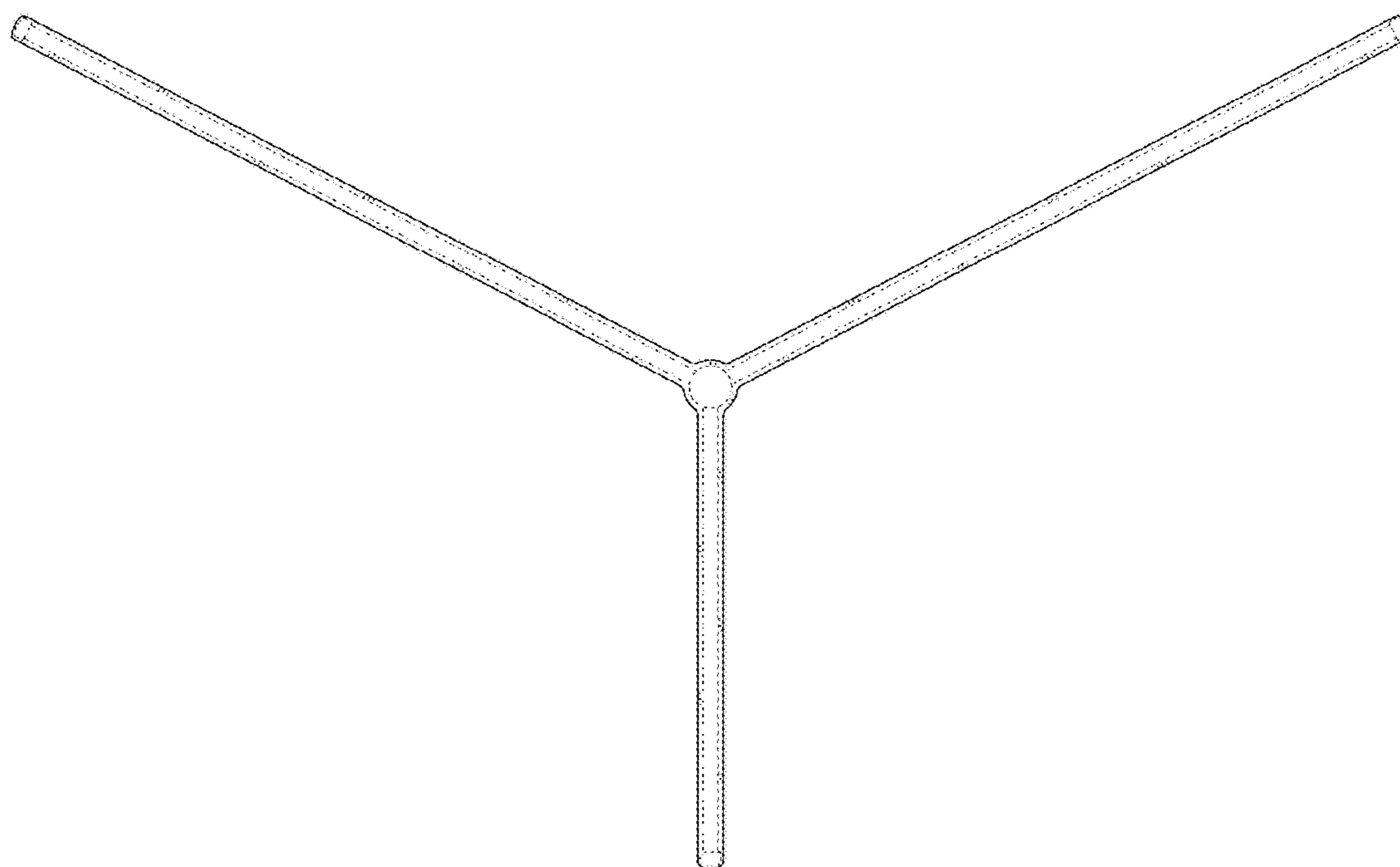


FIG. 8

