



US00D795230S

(12) **United States Design Patent** (10) **Patent No.:** **US D795,230 S**  
**Lee et al.** (45) **Date of Patent:** **\*\* Aug. 22, 2017**

(54) **TELEVISION RECEIVER**

(71) Applicant: **Samsung Electronics Co., Ltd.**,  
Suwon-si (KR)

(72) Inventors: **Sang-Young Lee**, Gwangmyung-si  
(KR); **Hee-Bong Kim**, Gimpo-si (KR);  
**Won-Jun Lee**, Seoul (KR)

(73) Assignee: **Samsung Electronics Co., Ltd.**,  
Suwon-si (KR)

(\*\*) Term: **15 Years**

(21) Appl. No.: **29/568,399**

(22) Filed: **Jun. 17, 2016**

(30) **Foreign Application Priority Data**

Dec. 24, 2015 (KR) ..... 30-2015-0066217

(51) **LOC (10) Cl.** ..... **14-03**

(52) **U.S. Cl.**  
USPC ..... **D14/239**

(58) **Field of Classification Search**  
USPC ..... D14/125-134, 239, 371, 136, 374-377,  
D14/440, 450, 448, 336, 342, 159;  
312/7.2; 348/836, 838, 180, 184, 325,  
348/739; 248/917-924, 465; 345/104,  
345/133, 156, 168, 87, 173; D21/329,  
D21/515, 577, 622, 333, 433, 448, 452,  
D21/450, 331, 505; D10/15, 26;  
446/484, 175, 356; D6/477, 479, 300;  
D24/185; D34/14  
CPC ... G06F 1/1601; G06F 1/1643; H05K 5/0004;  
H05K 5/0017; H05K 5/02; H05K 5/0217  
See application file for complete search history.

(56) **References Cited**

**U.S. PATENT DOCUMENTS**

D709,044 S \* 7/2014 Takami ..... D14/126  
D735,153 S \* 7/2015 Snyder ..... D14/126

D738,340 S \* 9/2015 Ryu ..... D14/126  
D744,987 S \* 12/2015 Shin ..... D14/239  
D750,052 S \* 2/2016 Cha ..... D14/126  
D750,585 S \* 3/2016 Kang ..... D14/126  
D751,047 S \* 3/2016 Ren ..... D14/126  
D755,138 S \* 5/2016 Kim ..... D14/126  
D755,144 S \* 5/2016 Kim ..... D14/126

\* cited by examiner

*Primary Examiner* — Randall Gholson  
(74) *Attorney, Agent, or Firm* — NSIP Law

(57) **CLAIM**

We claim the ornamental design for a television receiver, as shown and described.

**DESCRIPTION**

FIG. 1 is a front perspective view of a television receiver showing our new design;  
FIG. 2 is a front view thereof;  
FIG. 3 is a rear view thereof;  
FIG. 4 is a left-side view thereof;  
FIG. 5 is a right-side view thereof;  
FIG. 6 is a top view thereof;  
FIG. 7 is a bottom view thereof;  
FIG. 8 is a rear perspective view thereof;  
FIG. 9 is an enlarged view of the encircled portion in FIG. 1; and,  
FIG. 10 is an enlarged view of the encircled portion in FIG. 8.

The broken lines in the figures depict environmental subject matter and form no part of the claimed design.  
The dot-dash broken lines define boundaries of the claimed design and form no part thereof.  
The dot-dot-dash broken lines encircling portions of the claimed design that are illustrated in enlargements form no part of the claimed design.

**1 Claim, 8 Drawing Sheets**

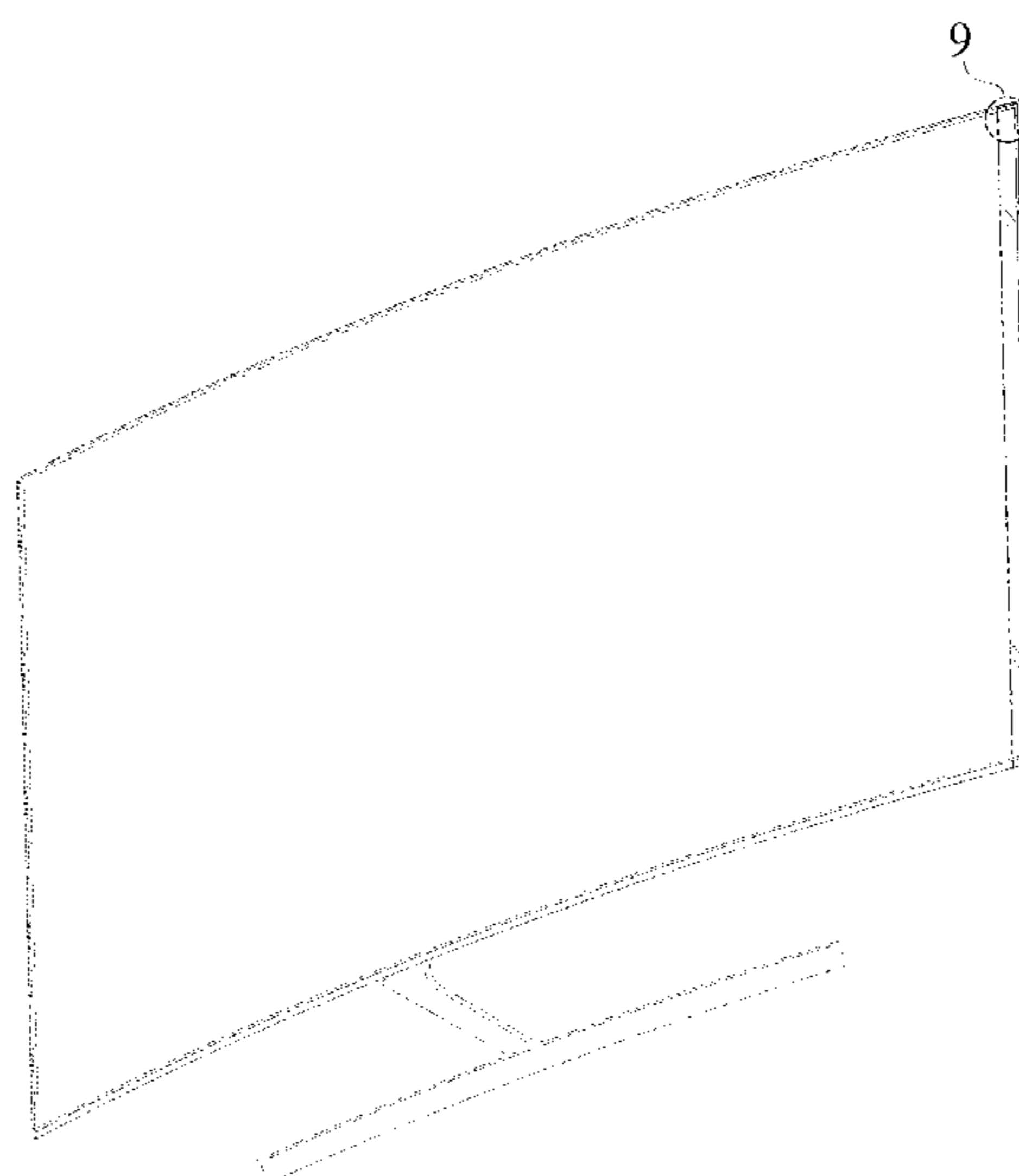


FIG. 1

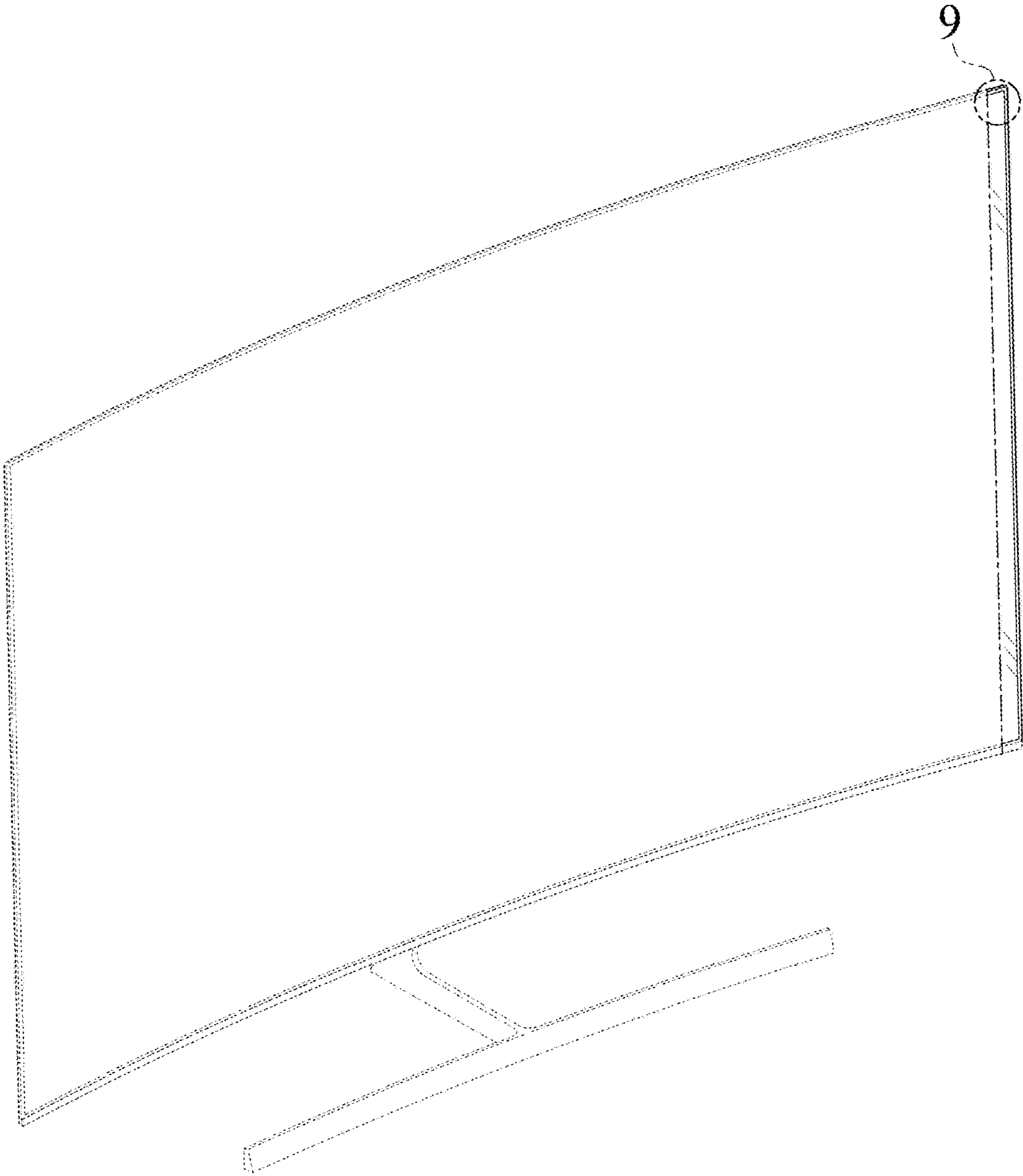


FIG. 2

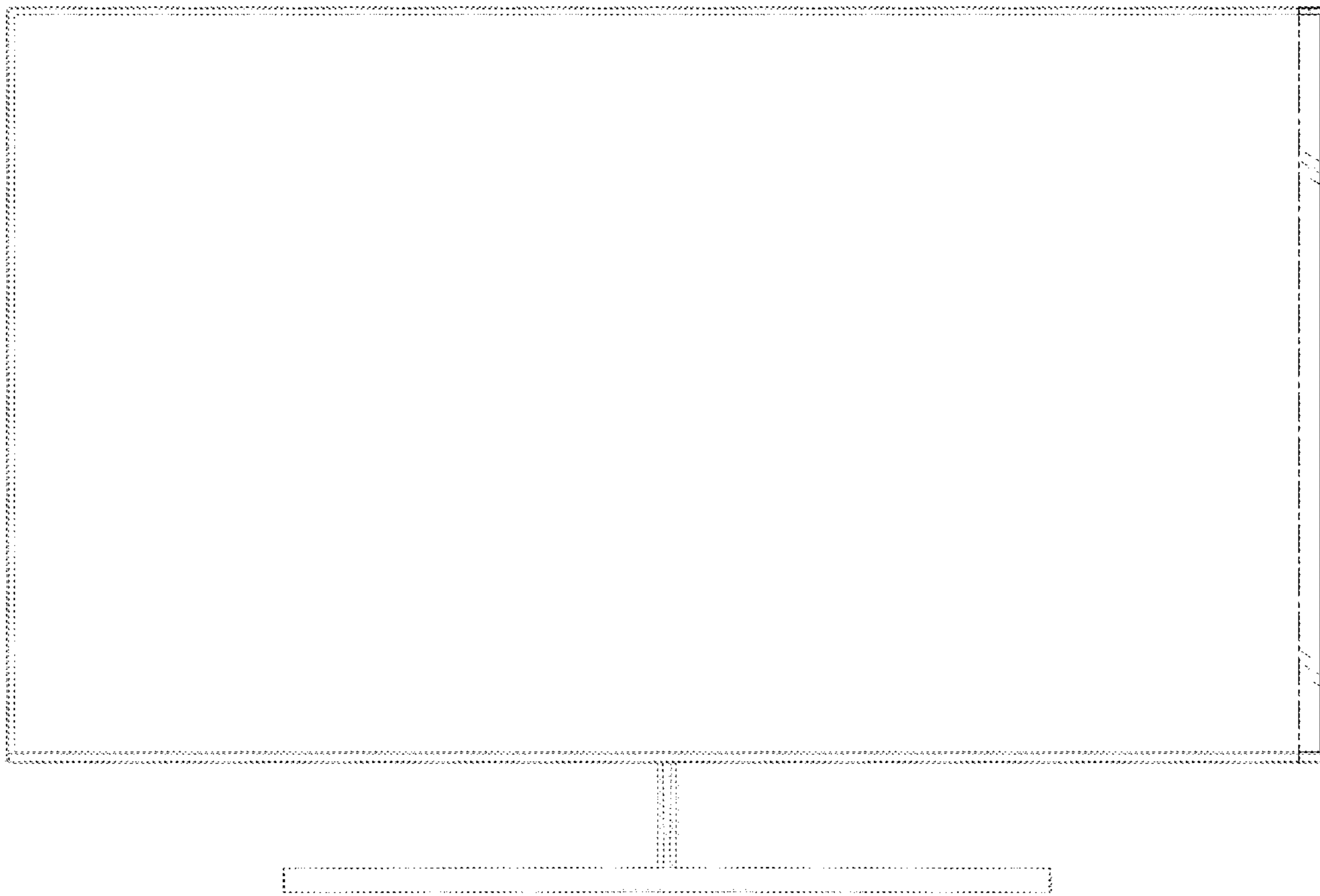


FIG. 3

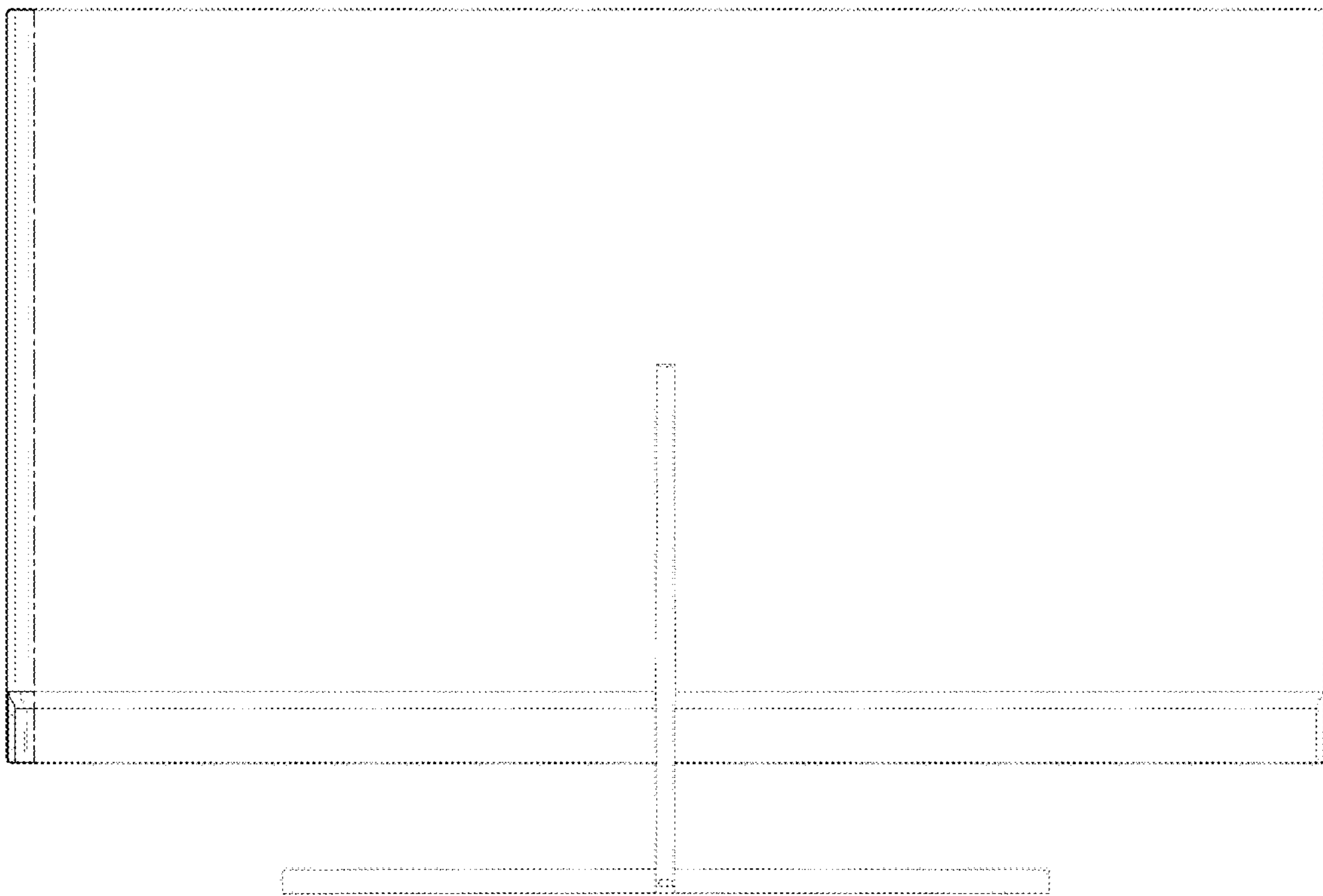


FIG. 4

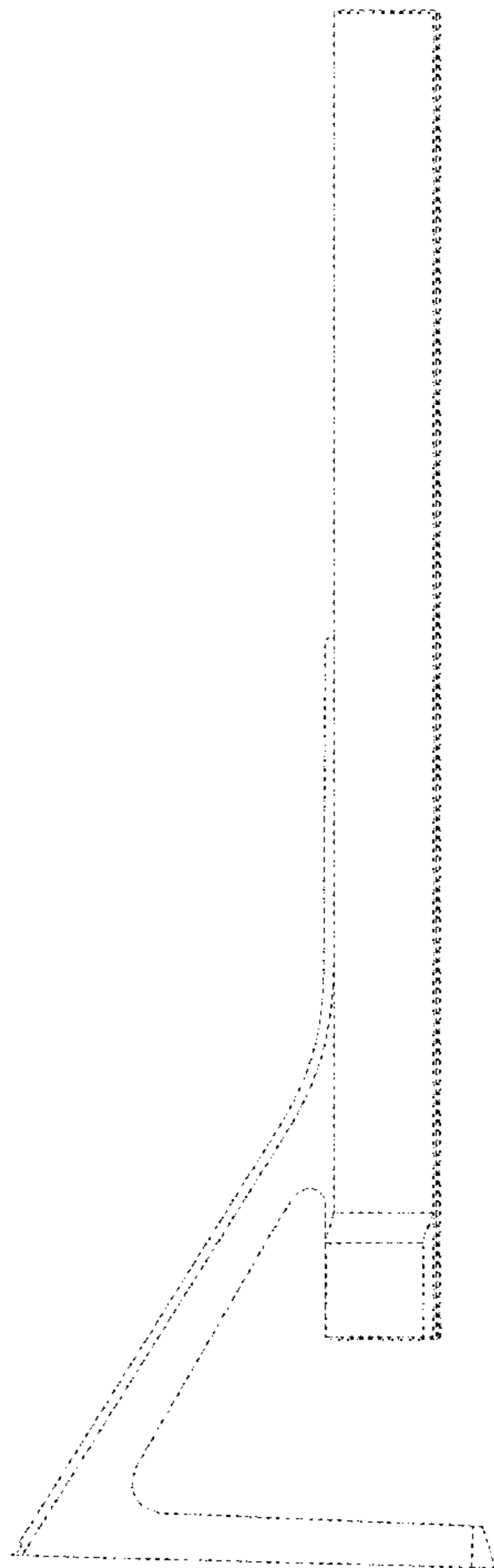


FIG. 5

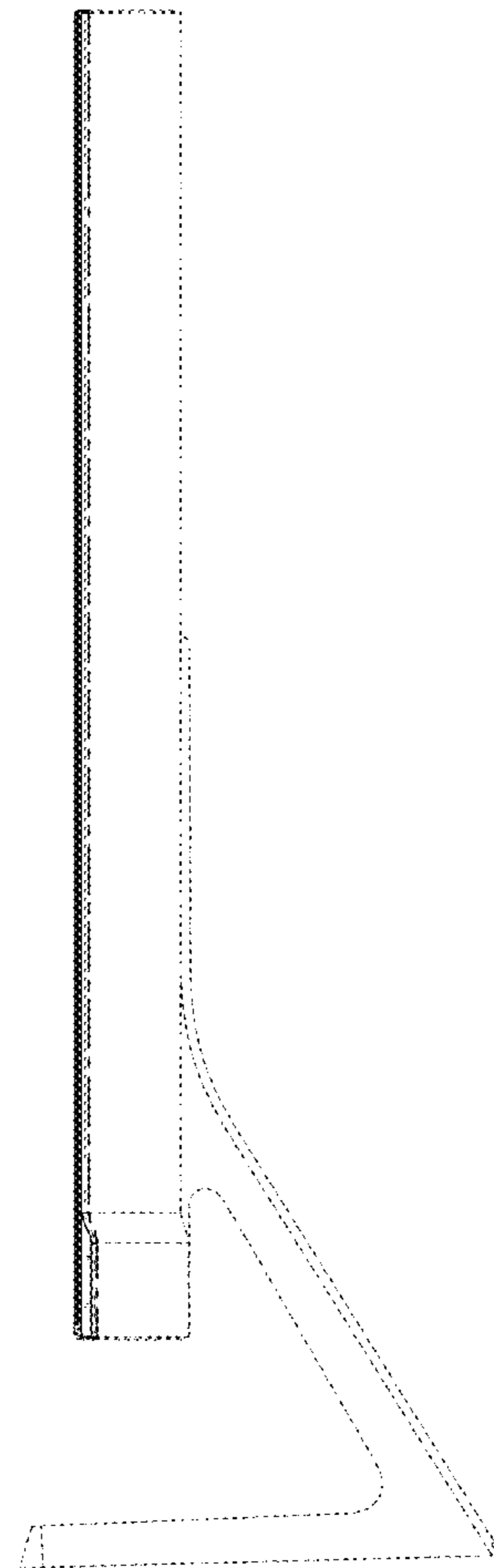


FIG. 6

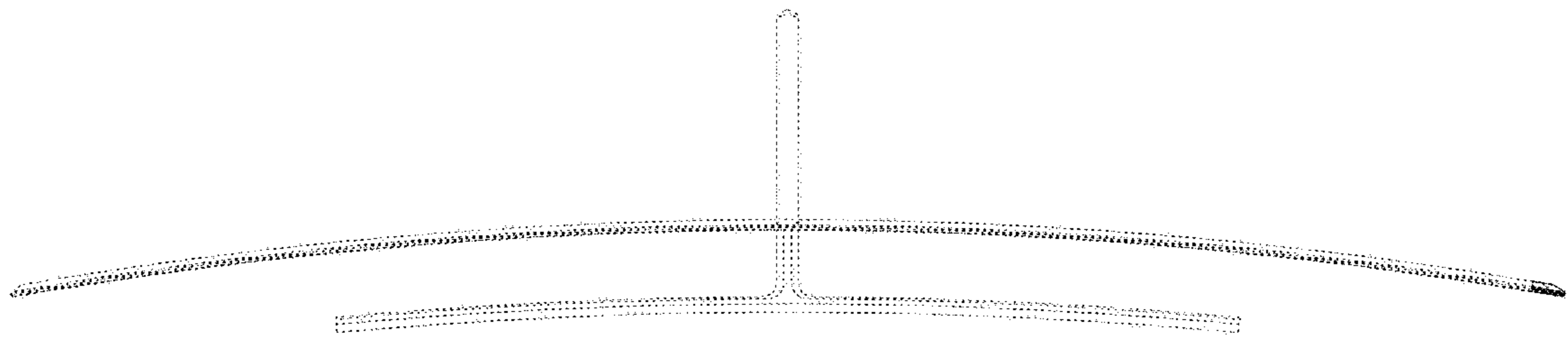


FIG. 7

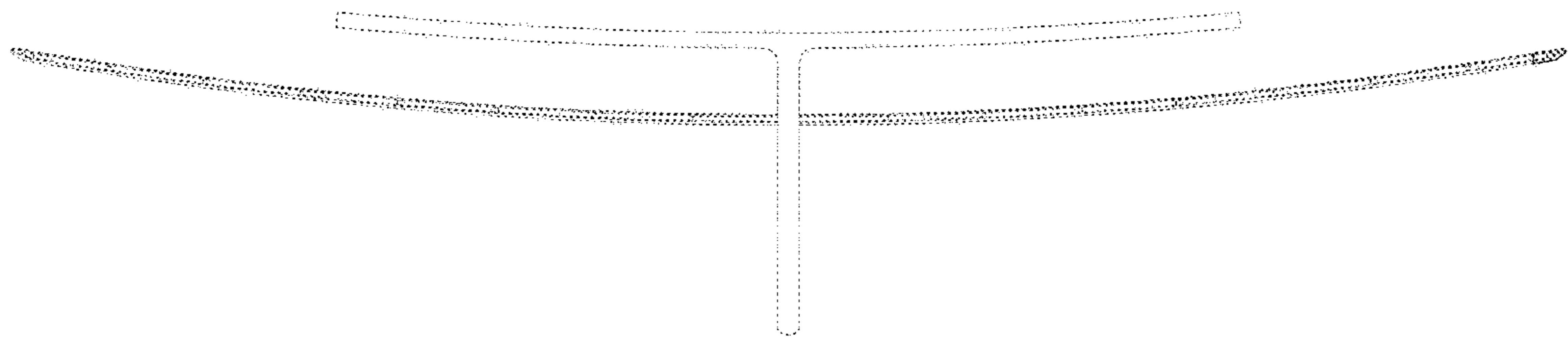


FIG. 8

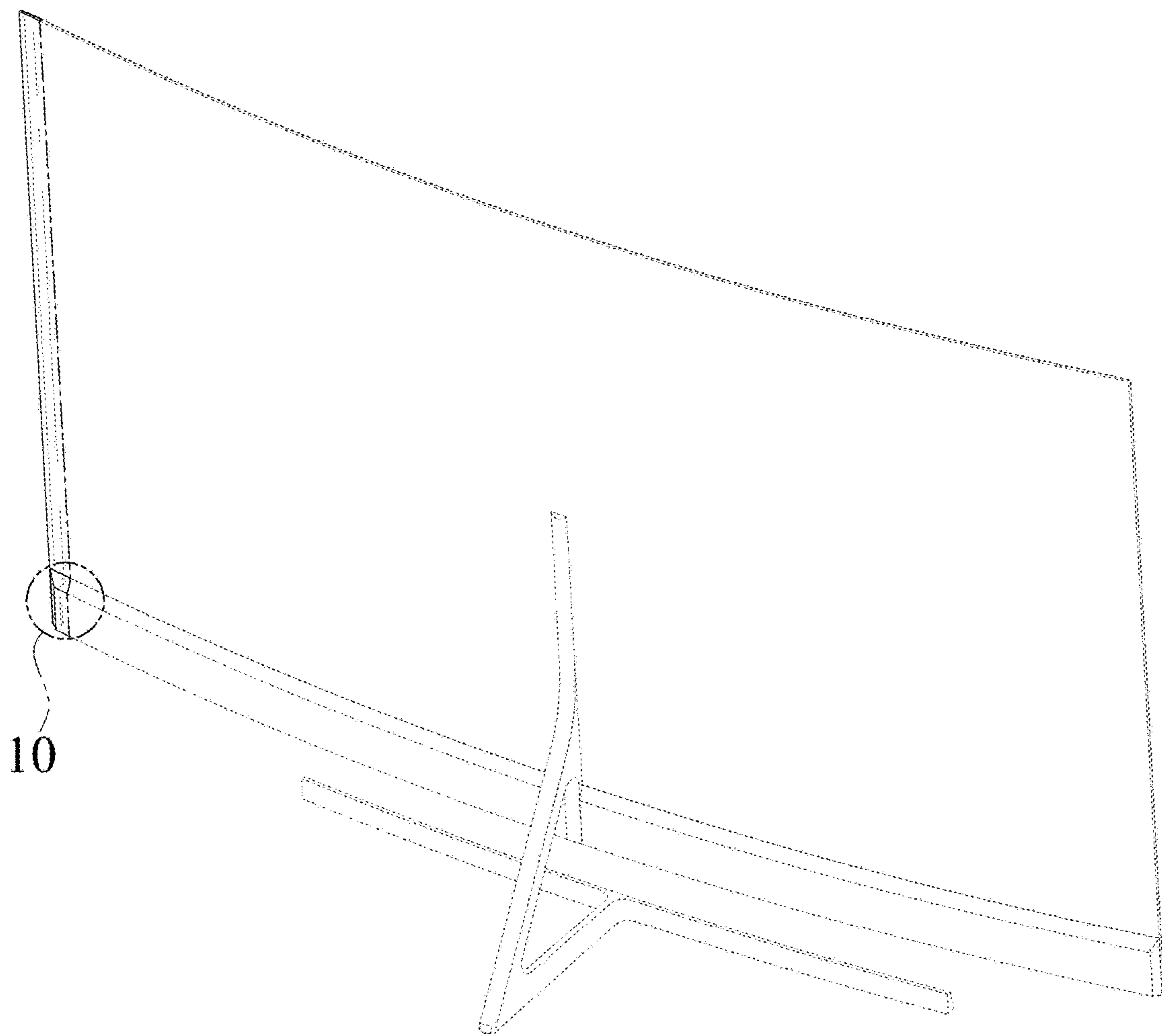


FIG. 9

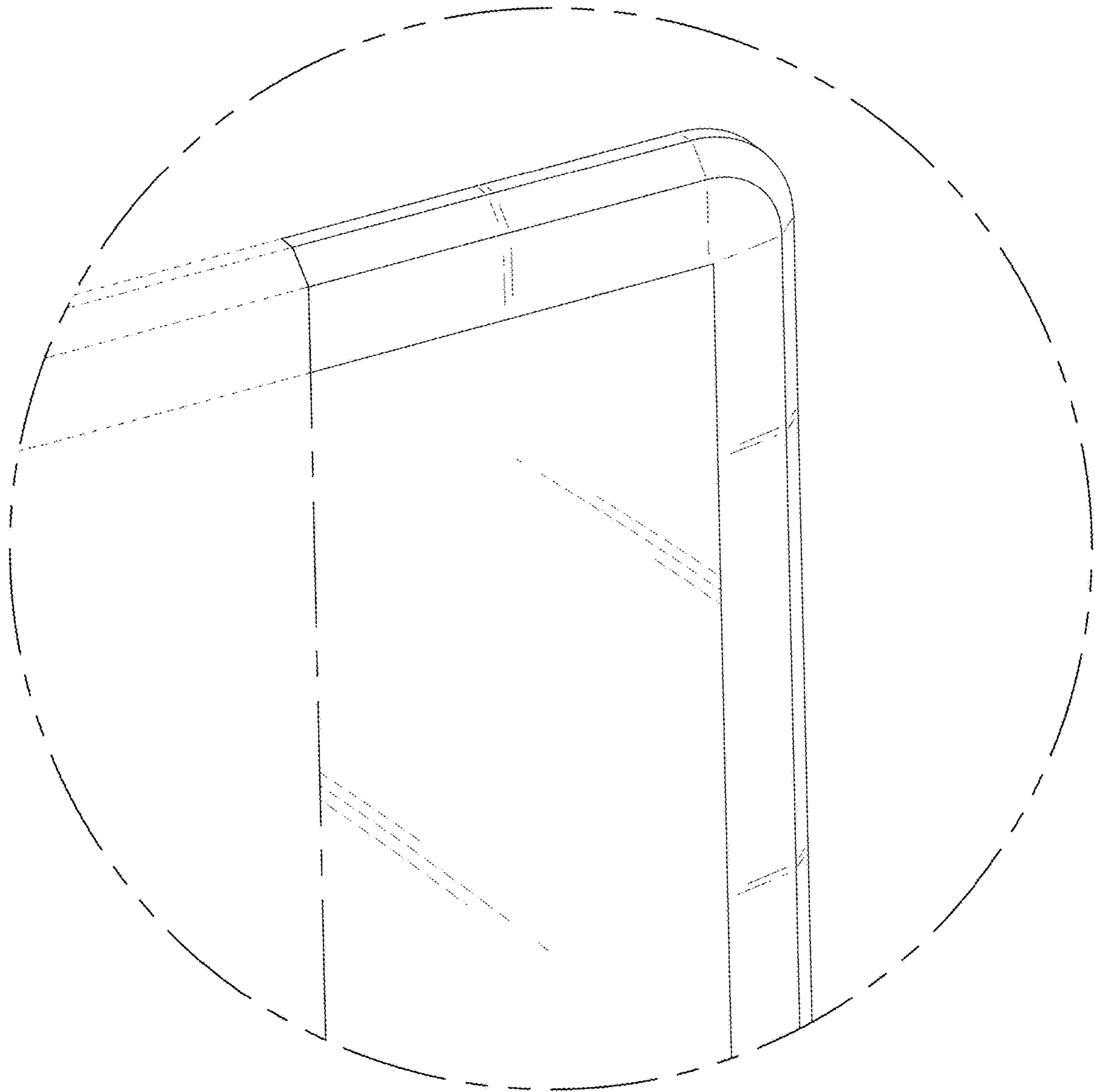




FIG. 10

