



US00D795226S

(12) **United States Design Patent** (10) **Patent No.:** **US D795,226 S**
Lian (45) **Date of Patent:** **** Aug. 22, 2017**

(54) **WIRELESS HEADSET**
(71) Applicant: **Zhantao Lian**, Shenzhen (CN)
(72) Inventor: **Zhantao Lian**, Shenzhen (CN)
(**) Term: **15 Years**
(21) Appl. No.: **29/569,153**
(22) Filed: **Jun. 24, 2016**
(51) **LOC (10) Cl.** **14-01**
(52) **U.S. Cl.**
USPC **D14/223**; D14/217; D14/221
(58) **Field of Classification Search**
USPC D14/223, 205, 206; D24/174; 181/129,
181/130, 135; 128/864, 866, 867;
381/381
CPC H04R 25/00; H04R 25/02; H04R 1/10
See application file for complete search history.

D662,088 S * 6/2012 Brandis D14/223
D690,288 S * 9/2013 Son D14/223
D712,382 S * 9/2014 Brunner D14/223
D734,744 S * 7/2015 Brunner D14/223
D741,299 S * 10/2015 Brunner D14/223
D743,945 S * 11/2015 Brunner D14/223
D743,946 S * 11/2015 Brunner D14/223
D780,721 S * 3/2017 Brunner D14/223
2008/0107301 A1 * 5/2008 Kim H04R 1/1066
381/381

(56) **References Cited**
U.S. PATENT DOCUMENTS

D562,309 S * 2/2008 Choi D14/223
D566,693 S * 4/2008 Jensen D14/223
D568,301 S * 5/2008 Kim D14/205
D573,983 S * 7/2008 Bang D14/223
D574,366 S * 8/2008 Sade D14/223
D575,277 S * 8/2008 Gaarde D14/205
D585,430 S * 1/2009 Kim D14/223
D588,575 S * 3/2009 Nousiainen D14/205
D590,377 S * 4/2009 Bradford D14/223
D619,998 S * 7/2010 Birger D14/223
D625,710 S * 10/2010 Yang D14/223
D625,712 S * 10/2010 Yang D14/223
D627,335 S * 11/2010 Hou D14/223
D645,456 S * 9/2011 Carr D14/223
D647,512 S * 10/2011 McConnell D14/223
D647,513 S * 10/2011 Ha D14/223
D656,128 S * 3/2012 Park D14/223

OTHER PUBLICATIONS

Toms Guide—Beats Powerbeats 2, announced May 5, 2015 [online], [site visited Mar. 20, 2017]. Available from internet, URL: <<http://www.tomsguide.com/us/beats-powerbeats-2-wireless-earbuds,review-2790.html>>.*
Northern Reviewer—SoundPEATS Q16, announced Dec. 14, 2016 [online], [site visited Mar. 20, 2017]. Available from internet, URL: <<http://northernreviewer.com/q16-truly-wireless-bluetooth-ear-phones-review>>.*

(Continued)

Primary Examiner — Keli L Hill
Assistant Examiner — Karra S Johnson

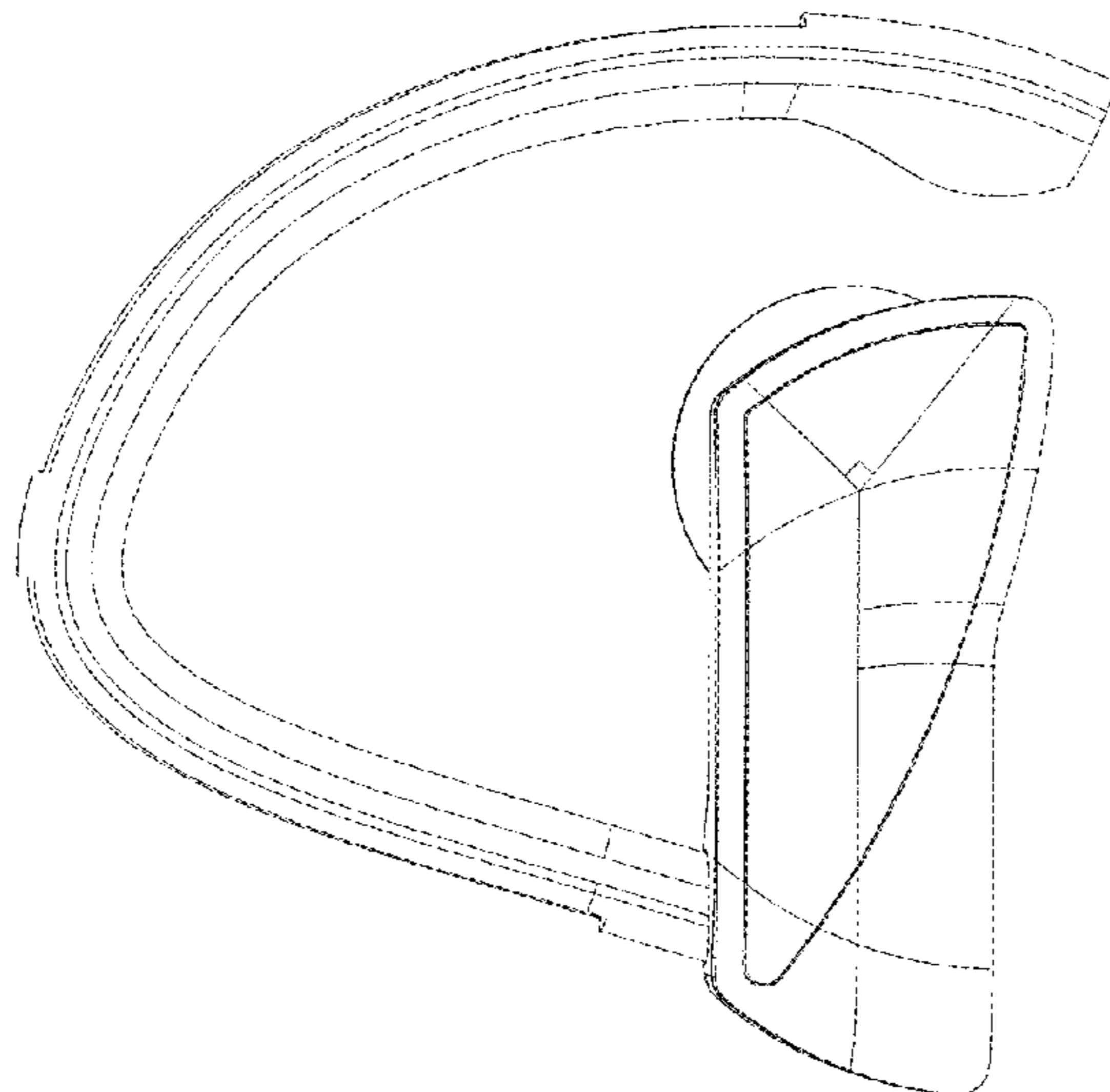
(57) **CLAIM**

The ornamental design for wireless headset, as shown and described.

DESCRIPTION

FIG. 1 is a front elevational view of wireless headset showing my new design;
FIG. 2 is a rear elevational view thereof;
FIG. 3 is a left side elevational view thereof;
FIG. 4 is a right side elevational view thereof;
FIG. 5 is a top plan view thereof; and,
FIG. 6 is a bottom plan view thereof.

1 Claim, 6 Drawing Sheets



(56)

References Cited

OTHER PUBLICATIONS

Gadget Explained—SoundPEATS Q23, announced Mar. 7, 2017 [online], [site visited Mar. 20, 2017]. Available from internet, URL: <<http://www.gadgetexplained.com/2017/03/soundpeats-q23-bluetooth-41-running.html>>.*

Tech Advisor—SoundPeats Sport Q9, announced Aug. 27, 2015 [online], [site visited Mar. 20, 2017]. Available from internet, URL: <http://www.soundpeatsaudio.com/html/goaling/product/detail_anon.html?product_id=34>.*

* cited by examiner

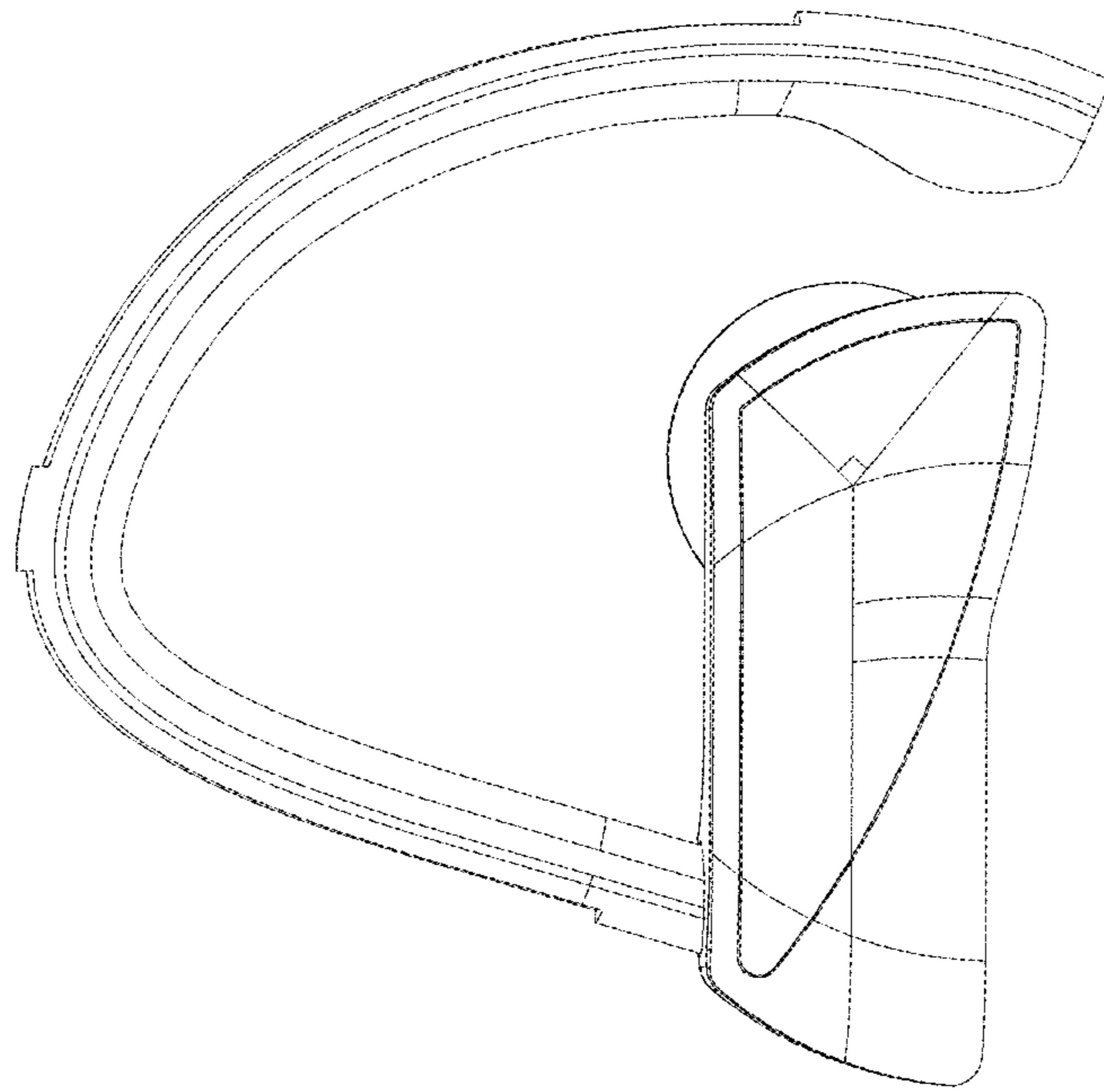


FIG.1

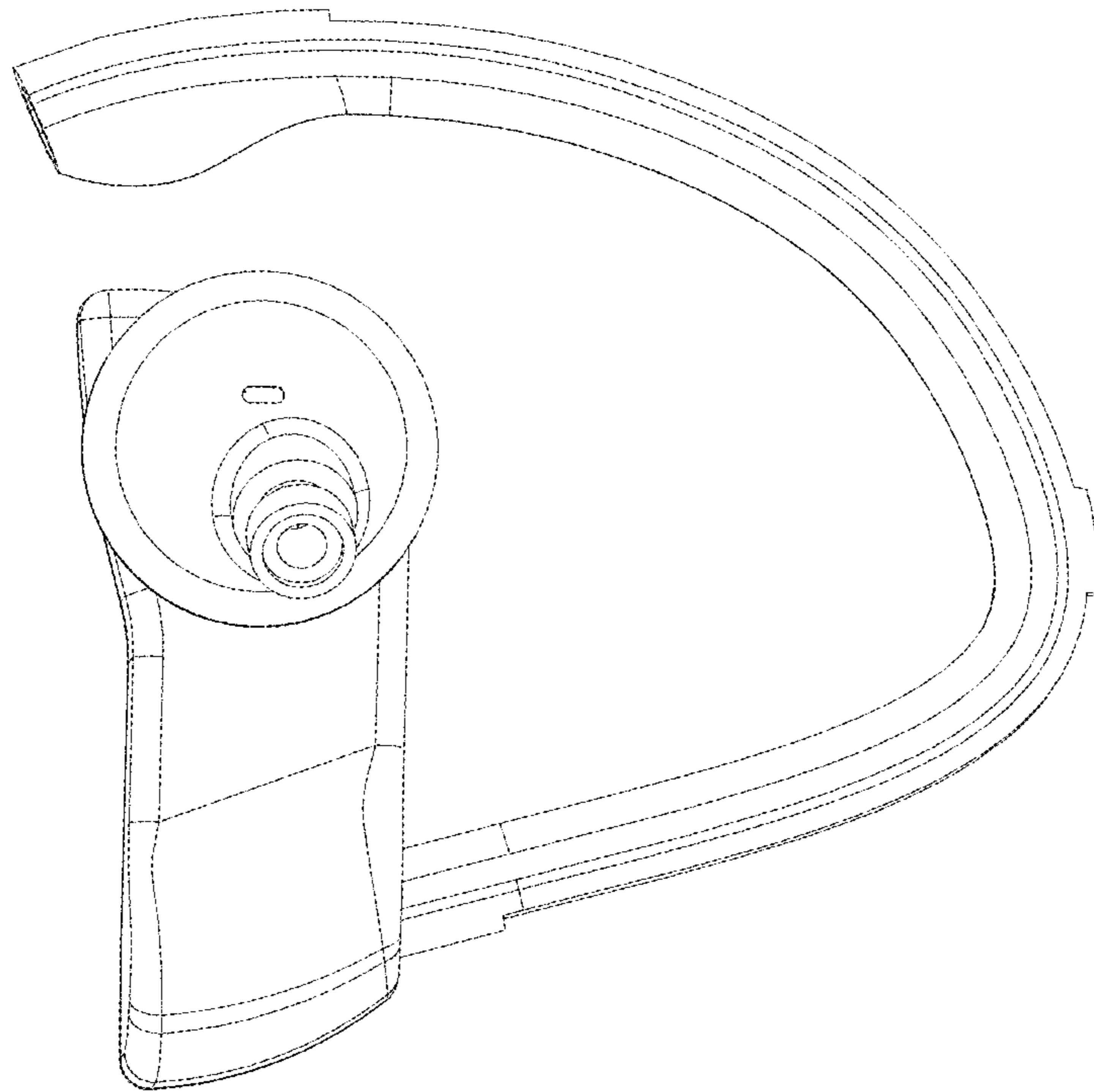


FIG.2

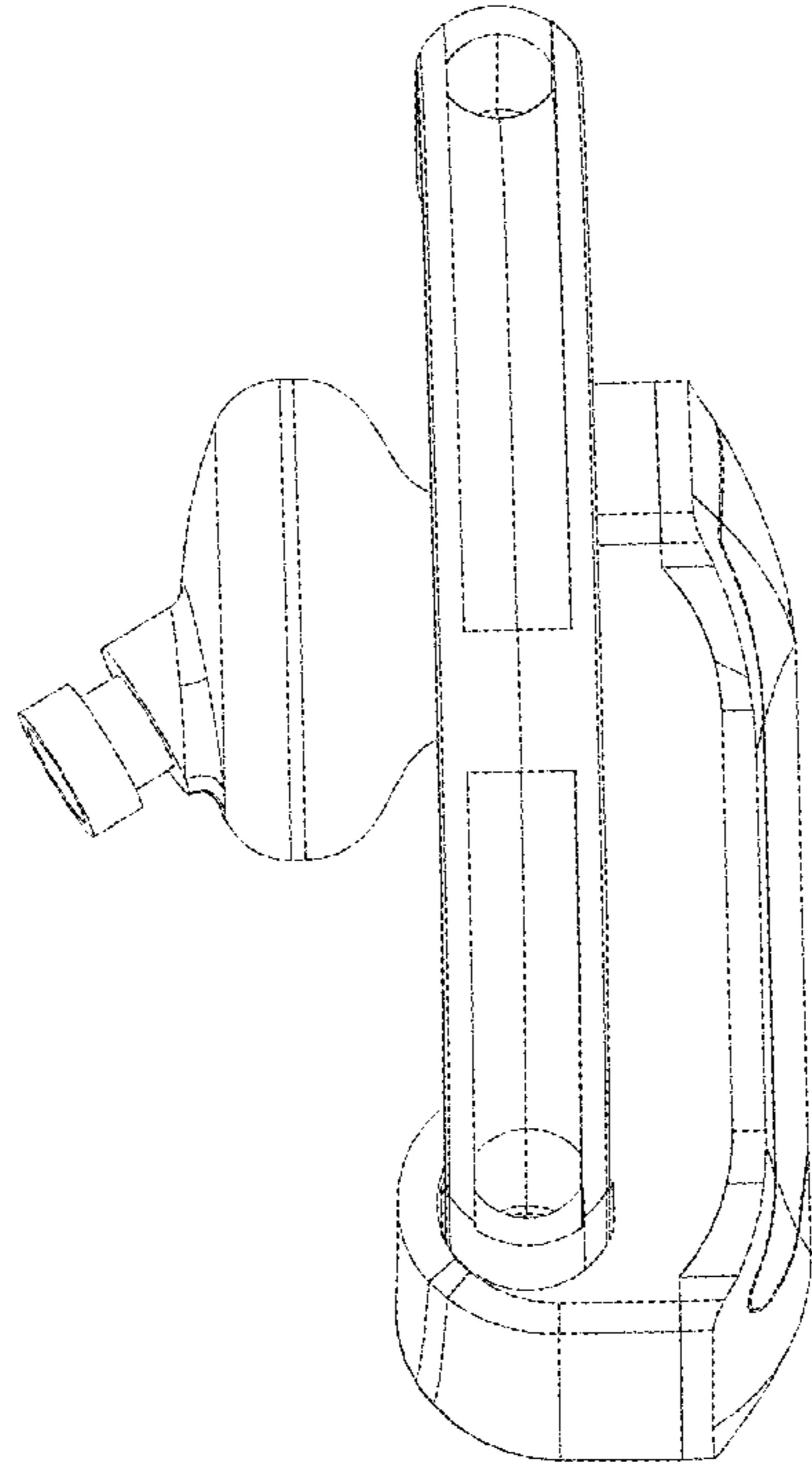


FIG. 3

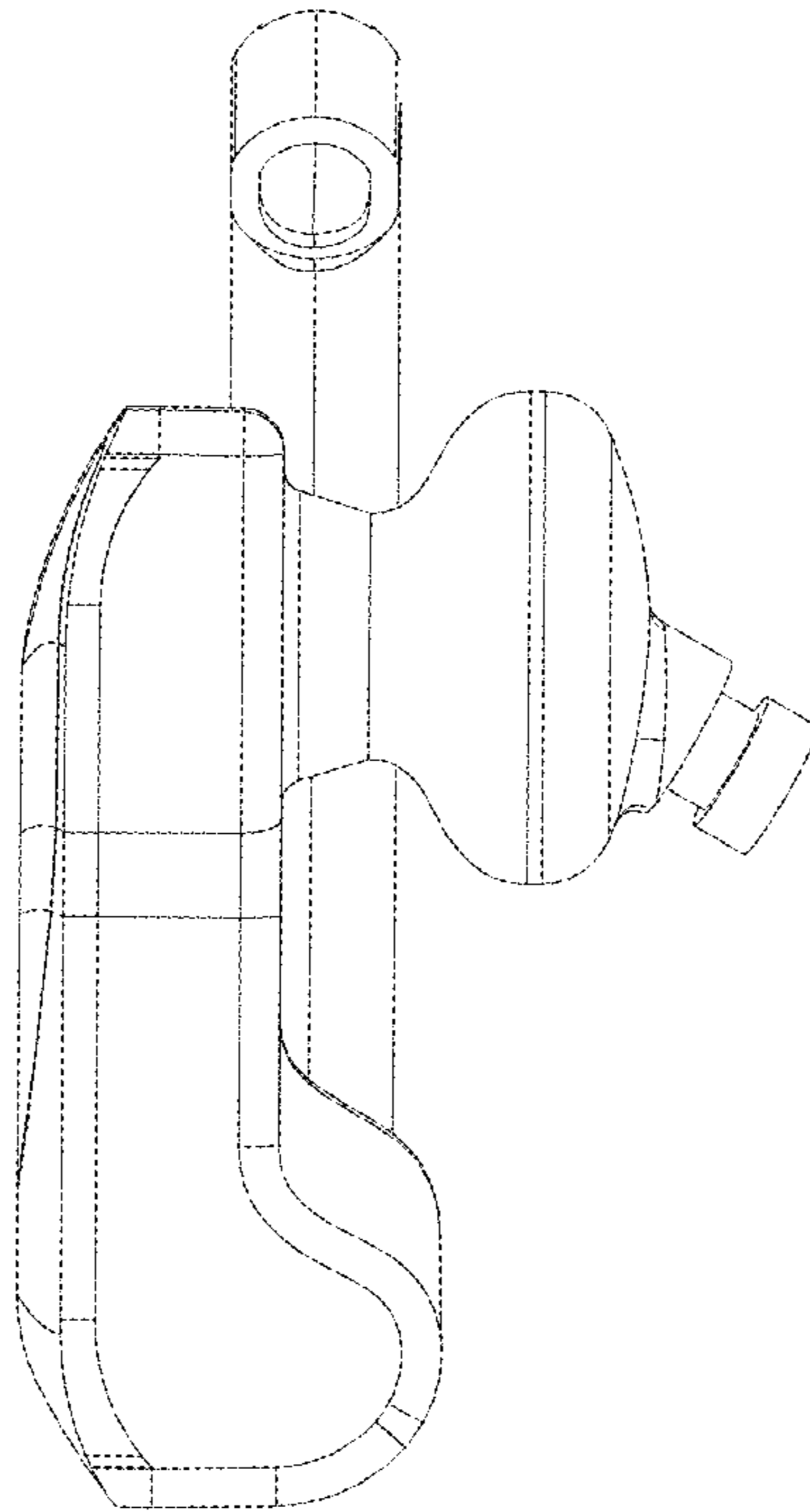


FIG.4

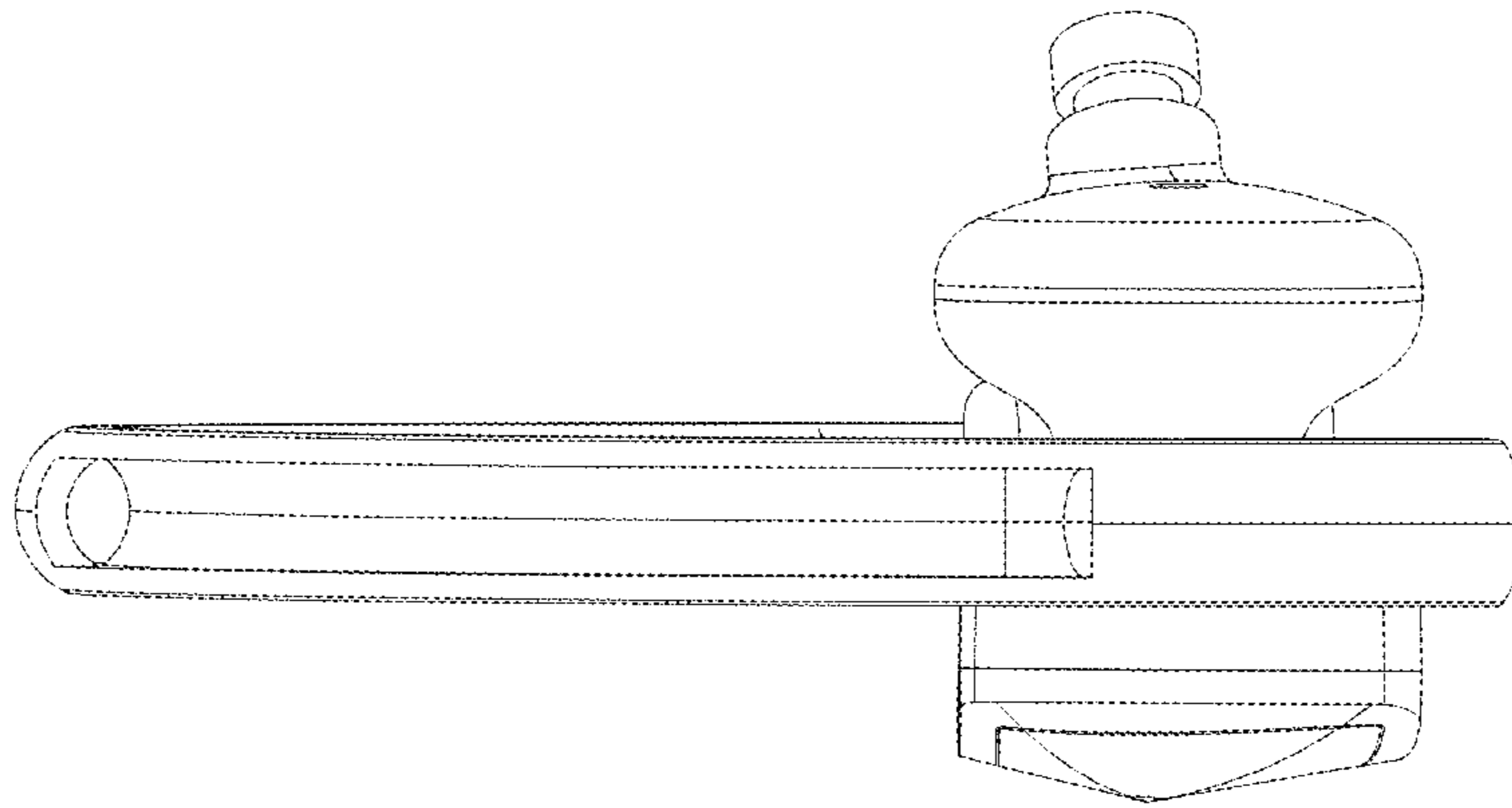


FIG. 5

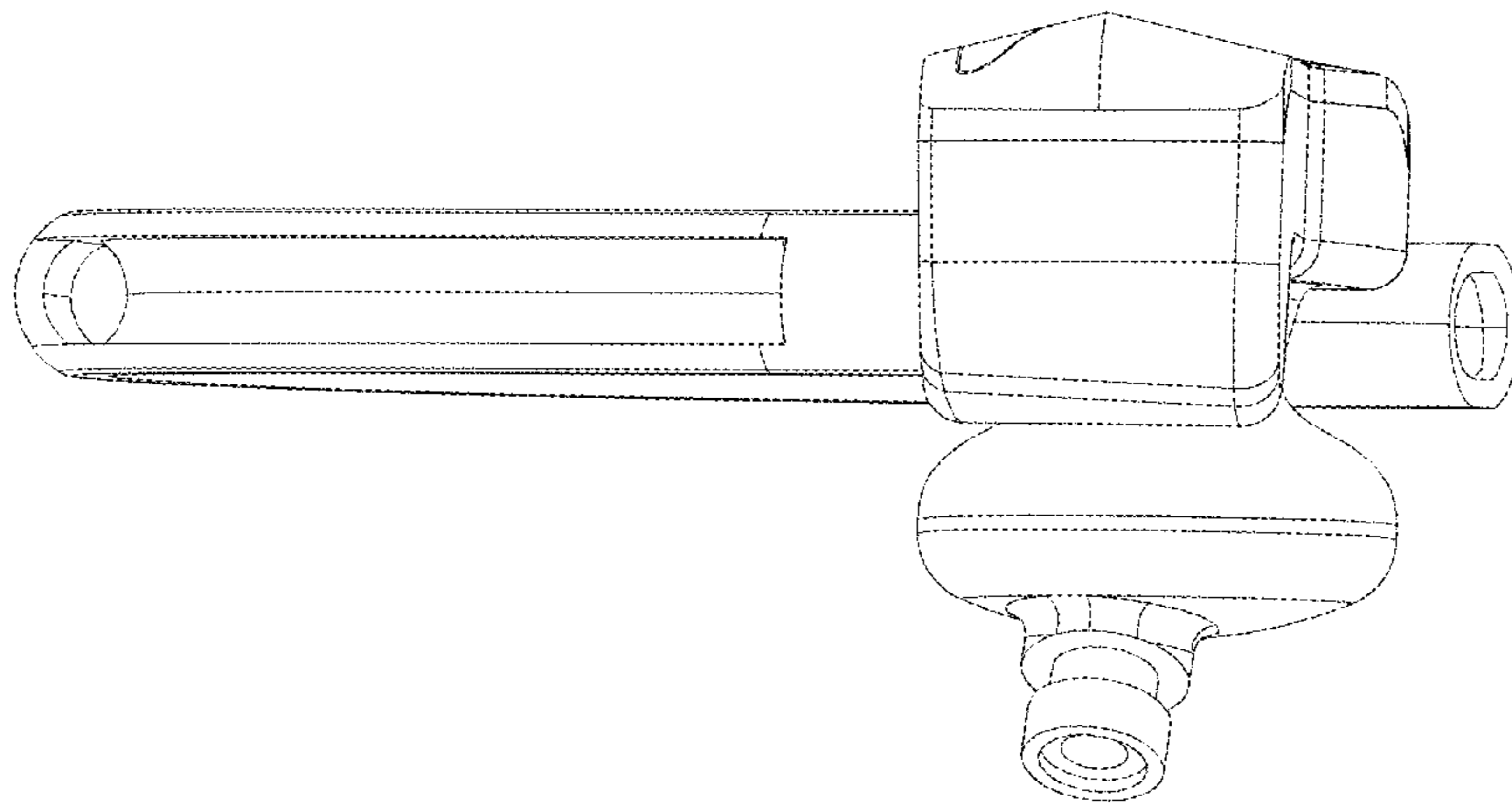


FIG.6