

US00D795225S

(12) **United States Design Patent**
Sumii

(10) **Patent No.:** **US D795,225 S**

(45) **Date of Patent:** **** Aug. 22, 2017**

(54) **EARPHONE**

(71) Applicant: **SONY COMPUTER ENTERTAINMENT INC.**, Tokyo (JP)

(72) Inventor: **Tetsu Sumii**, Tokyo (JP)

(73) Assignee: **SONY COMPUTER ENTERTAINMENT INC.**, Tokyo (JP)

(**) Term: **15 Years**

(21) Appl. No.: **29/557,561**

(22) Filed: **Mar. 10, 2016**

(30) **Foreign Application Priority Data**

Sep. 11, 2015 (JP) 2015-020266

(51) **LOC (10) Cl.** **14-01**

(52) **U.S. Cl.**
USPC **D14/223**

(58) **Field of Classification Search**
USPC D14/223, 205; D24/174; 128/864, 866;
181/129, 130, 135; 379/430, 431;
381/380, 381, 374
CPC H04R 1/10; H04R 25/00; H04R 1/1016;
H04R 1/1066; H04R 25/02
See application file for complete search history.

(56) **References Cited**

U.S. PATENT DOCUMENTS

- 1,312,493 A * 8/1919 Theis A61F 11/14
128/866
- 1,852,130 A * 4/1932 Schier H04R 25/656
381/328
- 2,064,426 A * 12/1936 Greibach H04R 11/06
181/132
- D102,655 S * 1/1937 Nicholides D24/174
- 2,363,175 A * 11/1944 Grossman H04R 25/48
181/132

- 2,430,229 A * 11/1947 Kelsey H04R 1/1058
181/130
- 2,501,107 A * 3/1950 Volkmann H04R 5/0335
381/374
- 2,584,402 A * 2/1952 Volkmann H04R 25/556
181/129
- 2,971,065 A * 2/1961 Busse H04R 25/456
381/104
- 3,234,467 A * 2/1966 Haveson H01Q 1/24
334/76

(Continued)

Primary Examiner — Paula Greene

(74) *Attorney, Agent, or Firm* — Young & Thompson

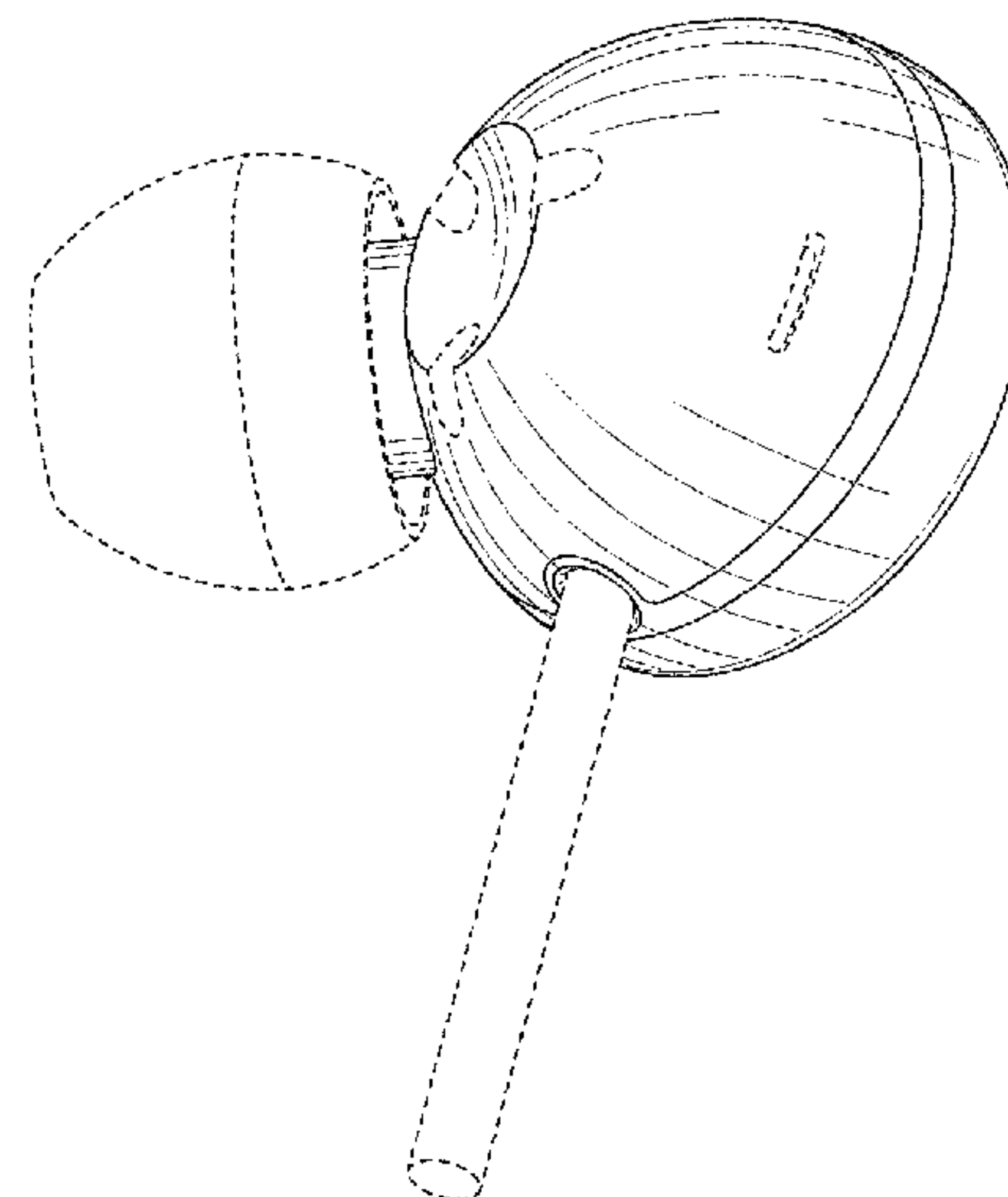
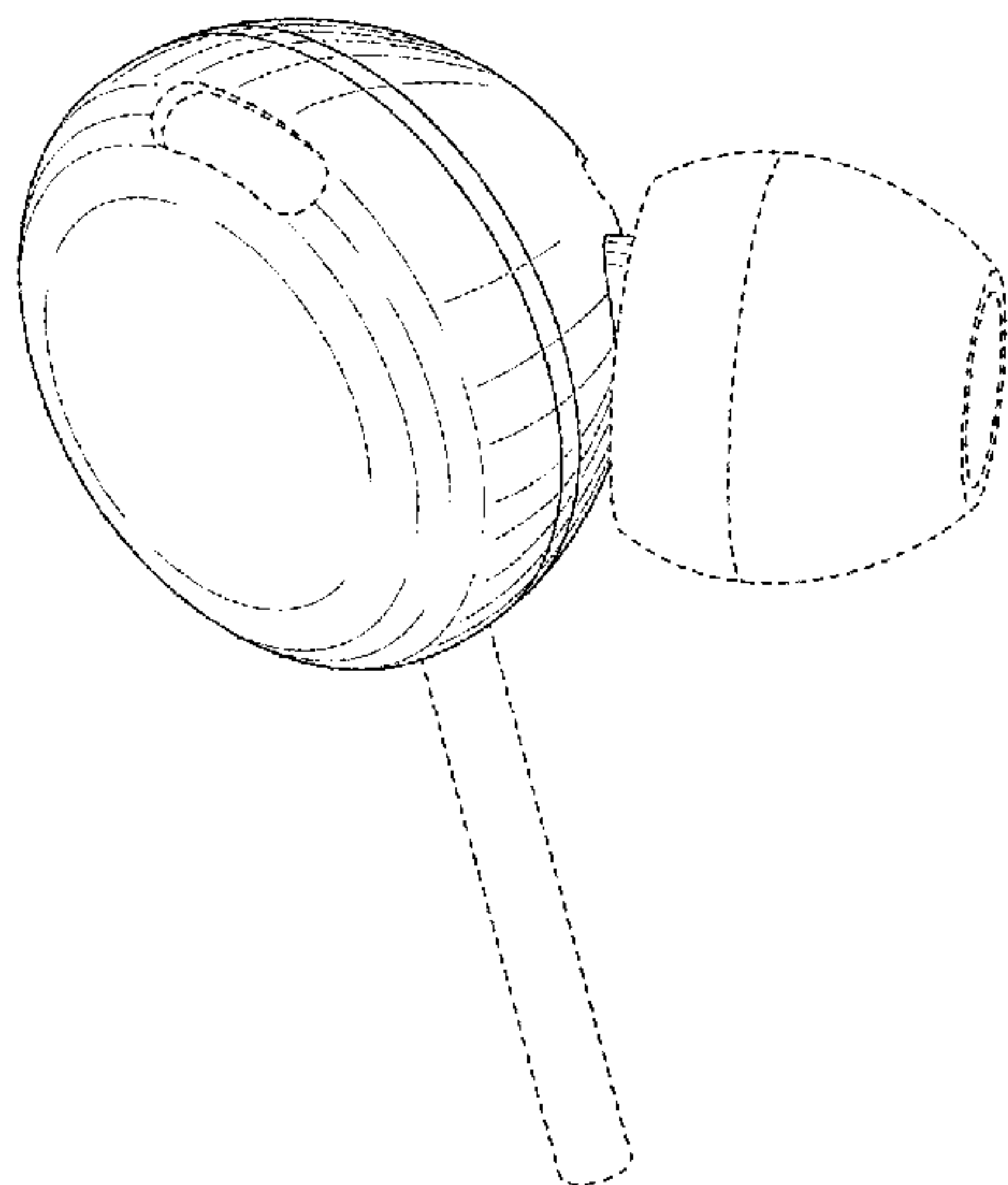
(57) **CLAIM**

The ornamental design for the earphone, as shown and described.

DESCRIPTION

FIG. 1 is a perspective view of front, top and right side of an earphone showing my new design;
 FIG. 2 is another perspective view of rear, bottom and left side thereof;
 FIG. 3 is another perspective view of front, bottom and right side thereof;
 FIG. 4 is a front view thereof;
 FIG. 5 is a rear view thereof;
 FIG. 6 is a left side view thereof;
 FIG. 7 is a right side view thereof;
 FIG. 8 is a top plan view thereof;
 FIG. 9 is a bottom plan view thereof;
 FIG. 10 is a perspective view showing the state that the earpiece was removed thereof;
 FIG. 11 is a front view showing the state that the earpiece was removed thereof; and,
 FIG. 12 is a top view showing the state that the earpiece was removed thereof.
 The broken lines depict environment that forms no part of the claimed design.

1 Claim, 6 Drawing Sheets



(56)

References Cited

U.S. PATENT DOCUMENTS

3,440,365 A * 4/1969 Hazell H04M 1/05
379/430
3,457,375 A * 7/1969 Haggerty H04R 25/456
381/322
4,457,396 A * 7/1984 James H04R 1/1058
181/129
4,539,708 A * 9/1985 Norris H04B 1/088
455/100
D287,765 S * 1/1987 Topholm D24/174
D396,722 S * 8/1998 Benedetti D14/194
D464,630 S * 10/2002 Woodworth D13/171
D514,095 S * 1/2006 Wilson D14/223
D568,290 S * 5/2008 Wikel D14/205
D575,278 S * 8/2008 Guccione D14/223
D578,507 S * 10/2008 Ando D14/205
D579,005 S * 10/2008 Wilhelmsen D14/223
D601,564 S * 10/2009 Maeno D14/400
D603,380 S * 11/2009 Hutchieson D14/223
D616,874 S * 6/2010 Matsuoka D14/223
D621,389 S * 8/2010 Nagayama D14/223
D626,948 S * 11/2010 Nault D14/223
D635,558 S * 4/2011 Zheng D14/206
D637,999 S * 5/2011 Brunner D14/205
D643,414 S * 8/2011 Lee D14/205
D643,833 S * 8/2011 Lee D14/223

D652,817 S * 1/2012 Lee D14/205
D652,822 S * 1/2012 Lee D14/223
D654,172 S * 2/2012 Naumann D24/174
D666,581 S * 9/2012 Perez D14/223
D667,815 S * 9/2012 Chiu D14/206
8,265,323 B2 * 9/2012 Stiehl B29C 45/0025
381/371
D674,904 S * 1/2013 Aunio D14/223
D698,750 S * 2/2014 Yoon D14/205
D699,226 S * 2/2014 Yoon D14/206
8,776,801 B2 * 7/2014 McIntosh A61F 11/08
128/864
D711,356 S * 8/2014 Yang D14/223
D715,777 S * 10/2014 Huang D14/223
D726,165 S * 4/2015 Kawaji D14/223
D730,876 S * 6/2015 Dahlberg D14/223
9,055,369 B2 * 6/2015 Yang H04R 1/10
D735,697 S * 8/2015 Petersen D14/223
D772,197 S * 11/2016 Hejazi D14/205
D773,437 S * 12/2016 Lee D14/223
D781,269 S * 3/2017 Choe D14/223
2007/0098201 A1 * 5/2007 Chen H04R 1/1016
381/380
2012/0114160 A1 * 5/2012 Lin H04R 1/1091
381/380
2012/0163648 A1 * 6/2012 Cardas H04R 1/1016
381/380

* cited by examiner

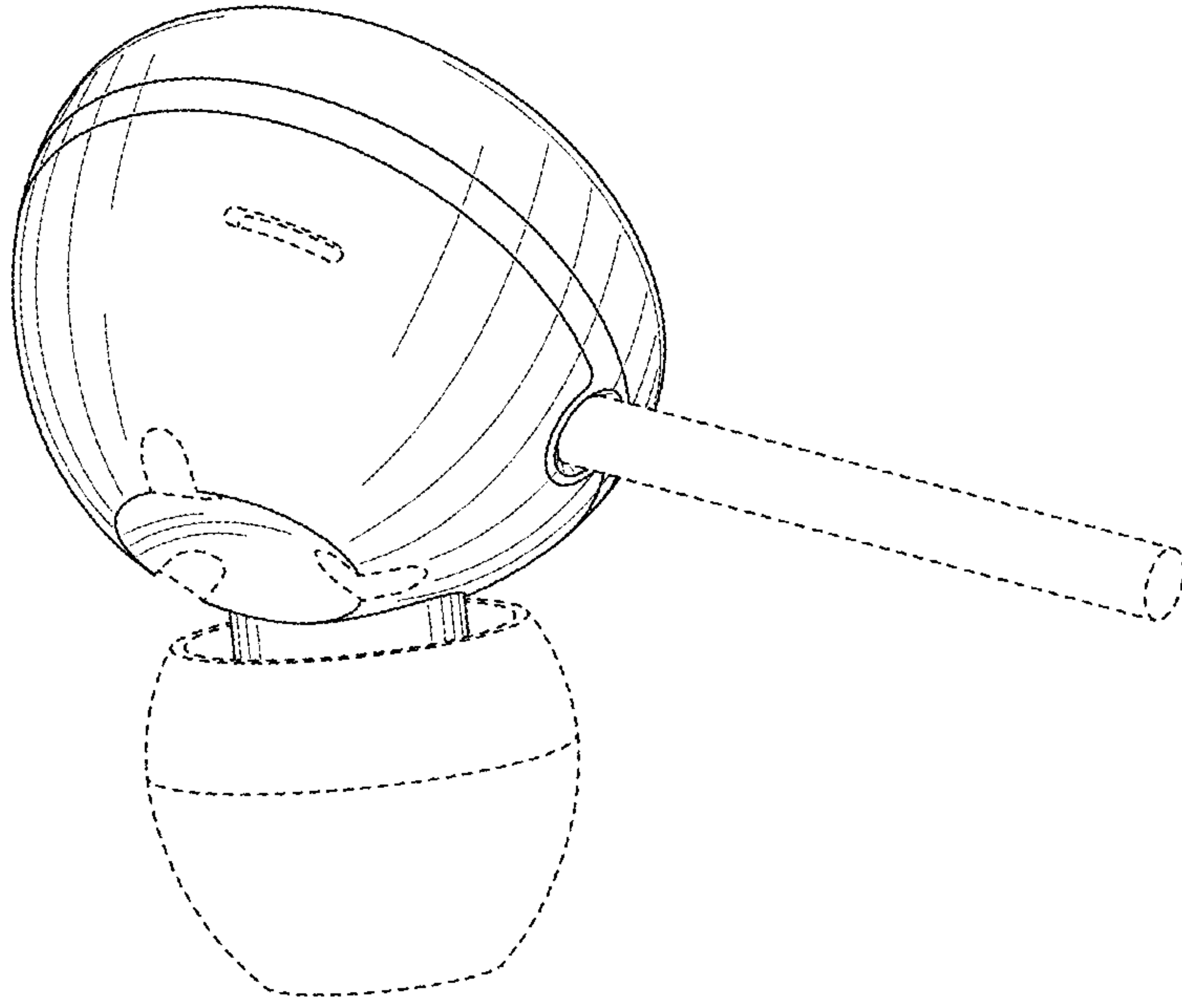


FIG. 2

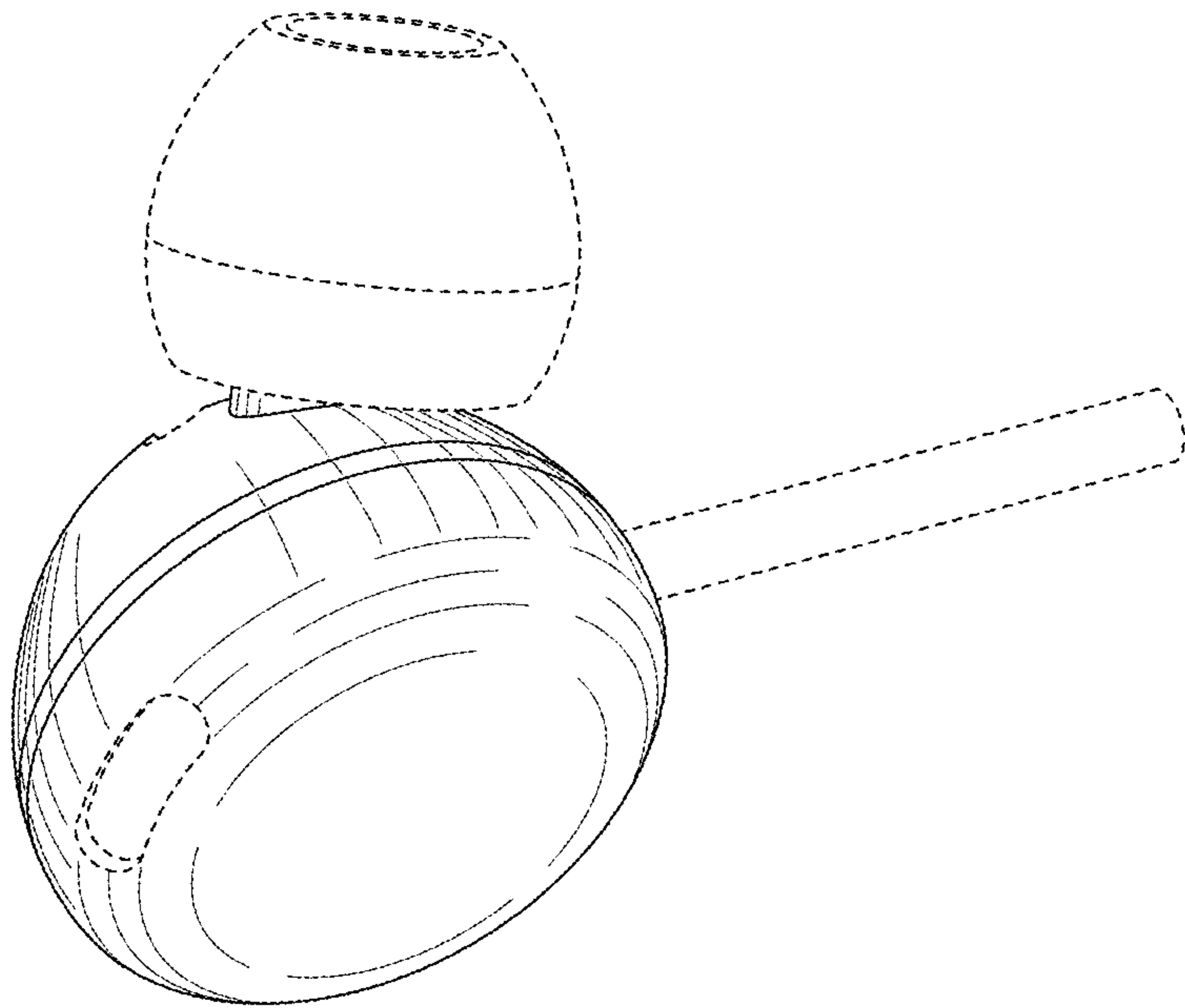


FIG. 1

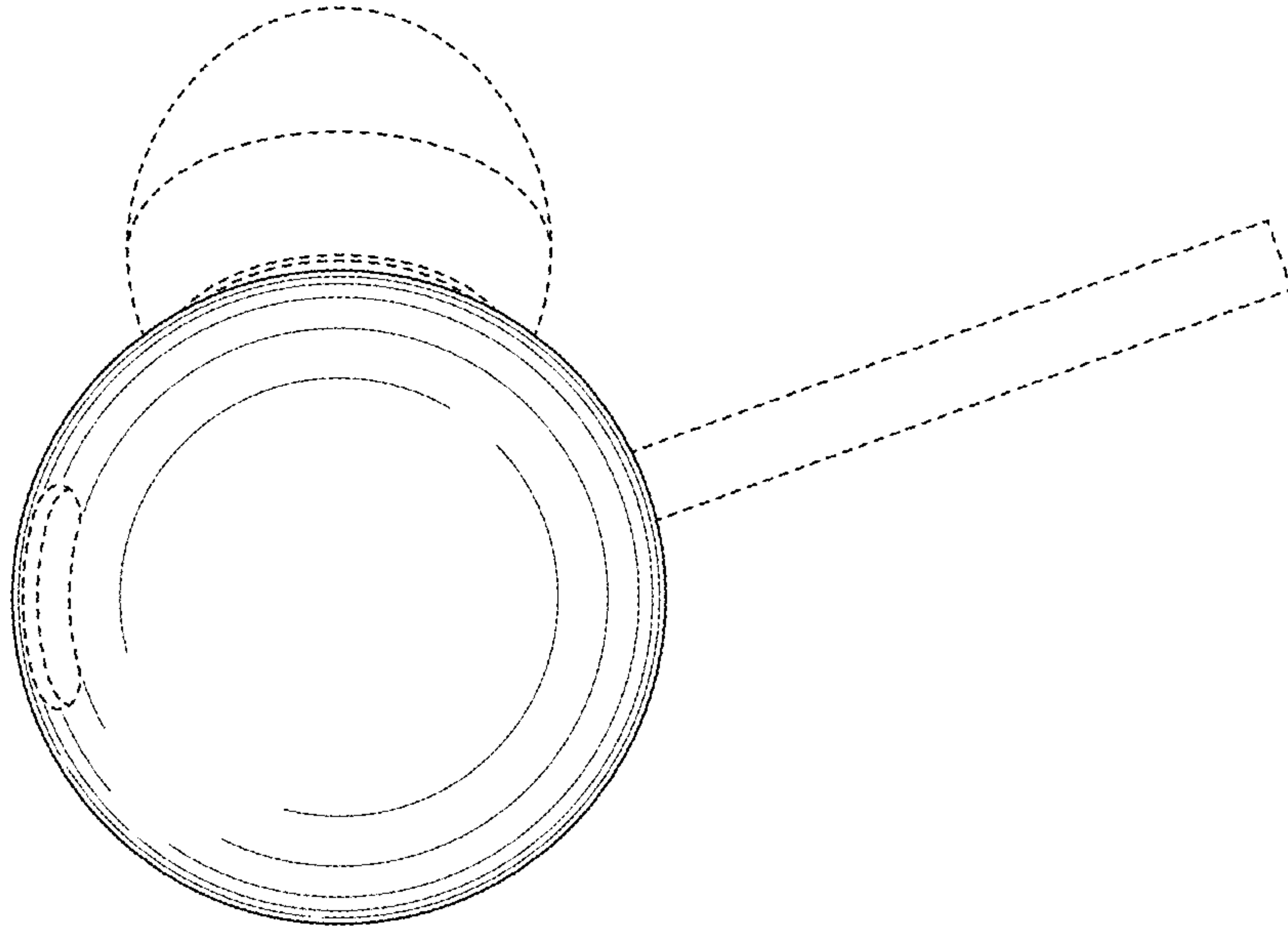


FIG. 4

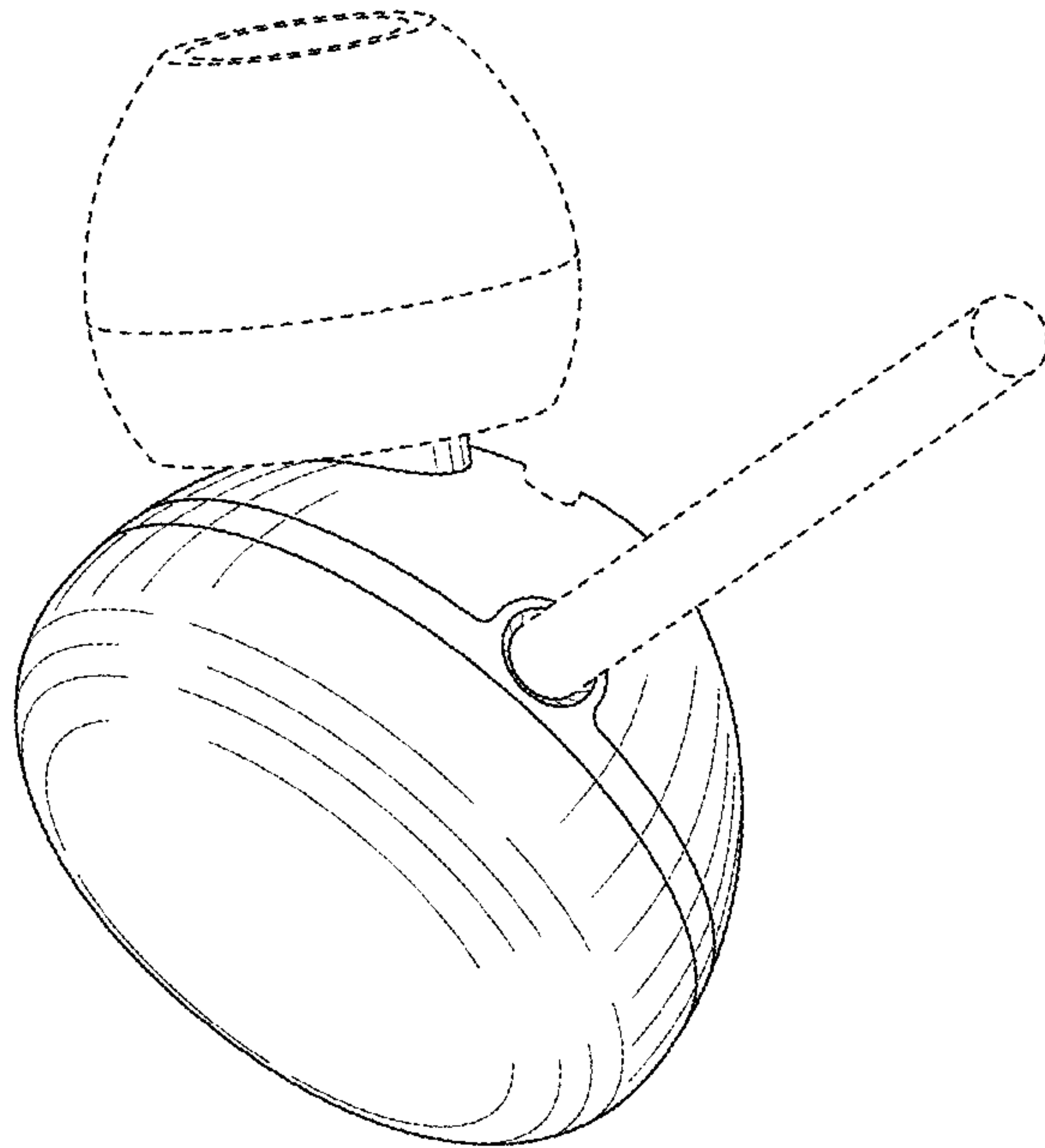


FIG. 3

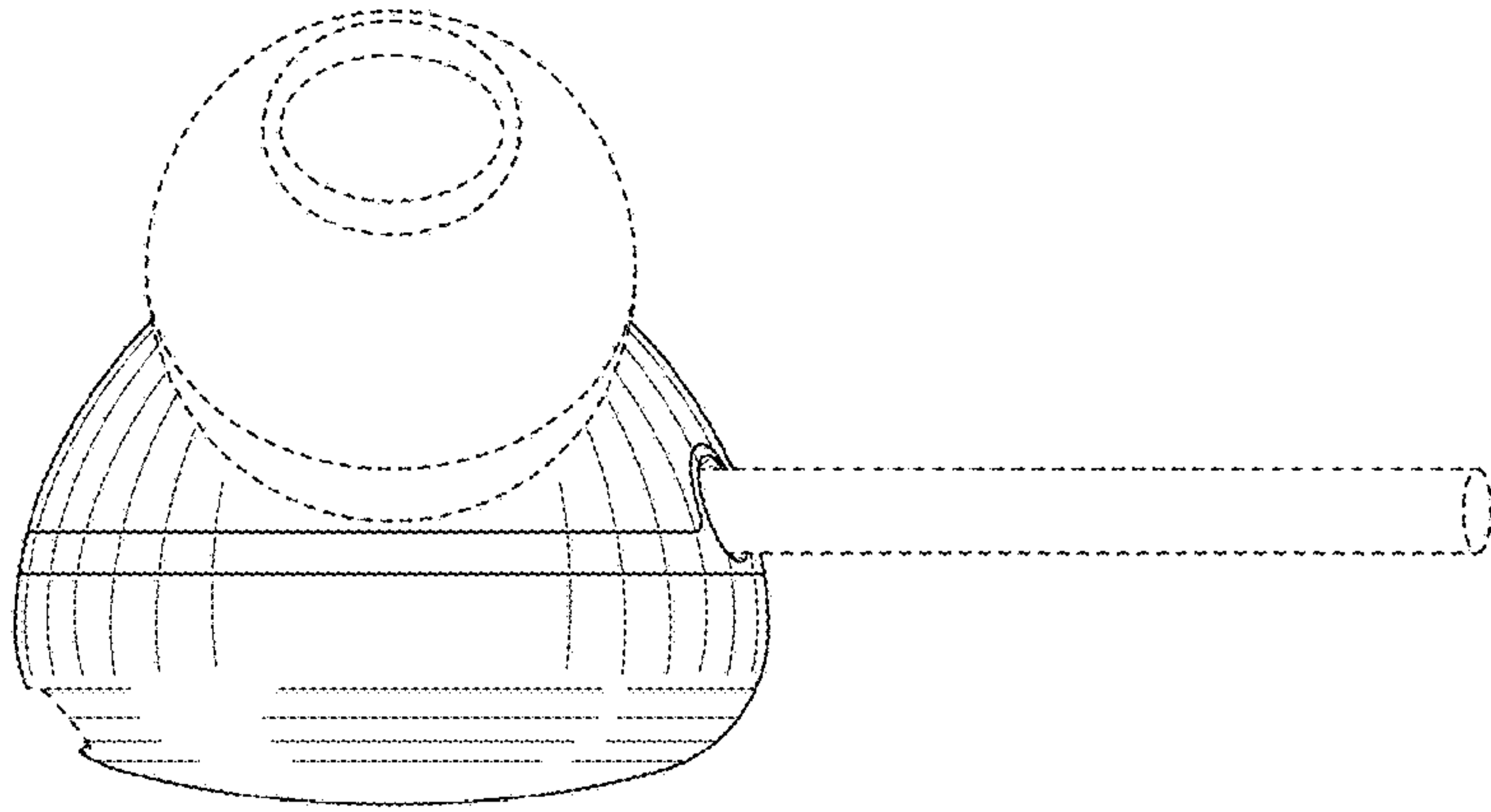


FIG. 5

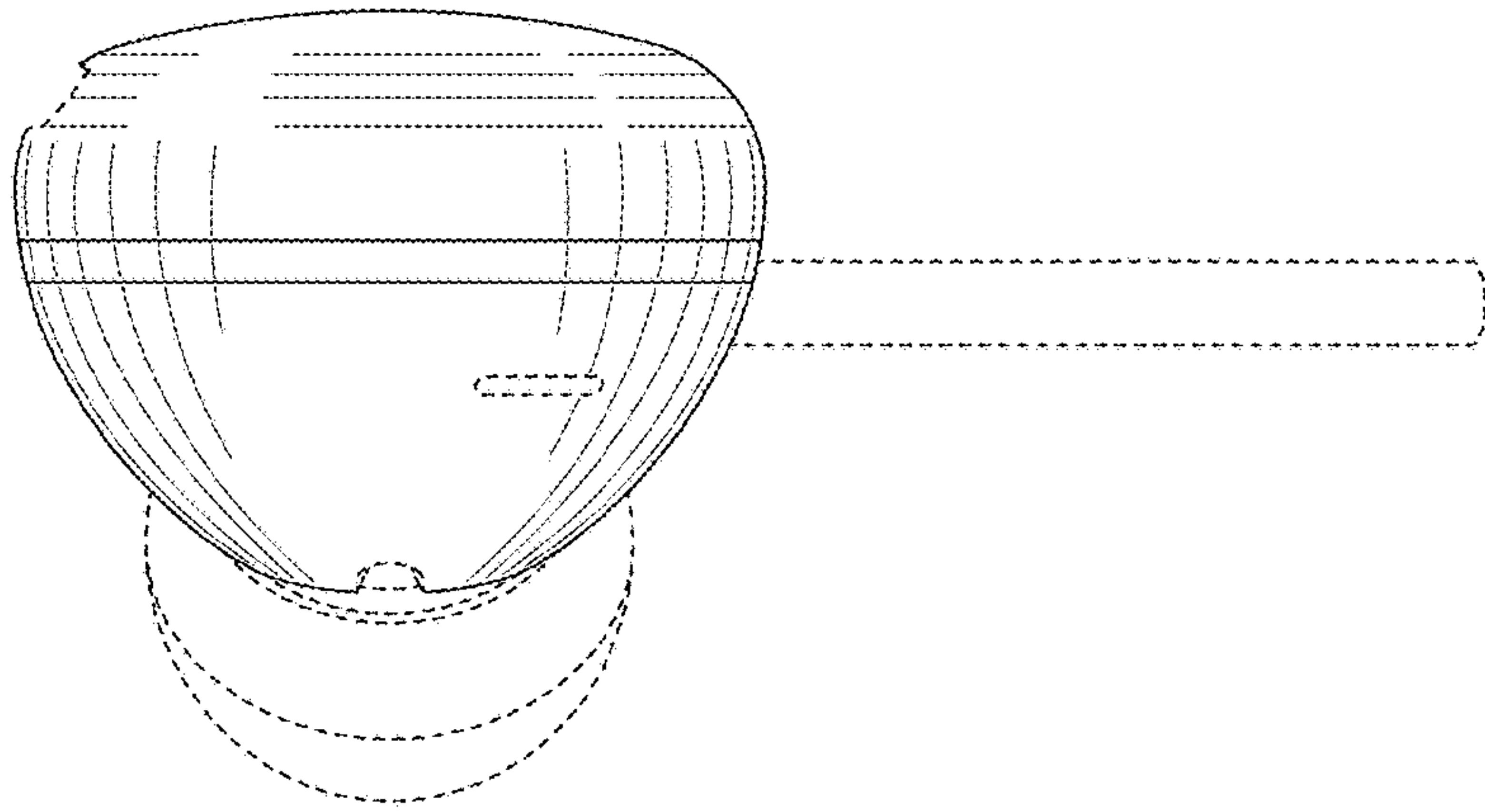


FIG. 6

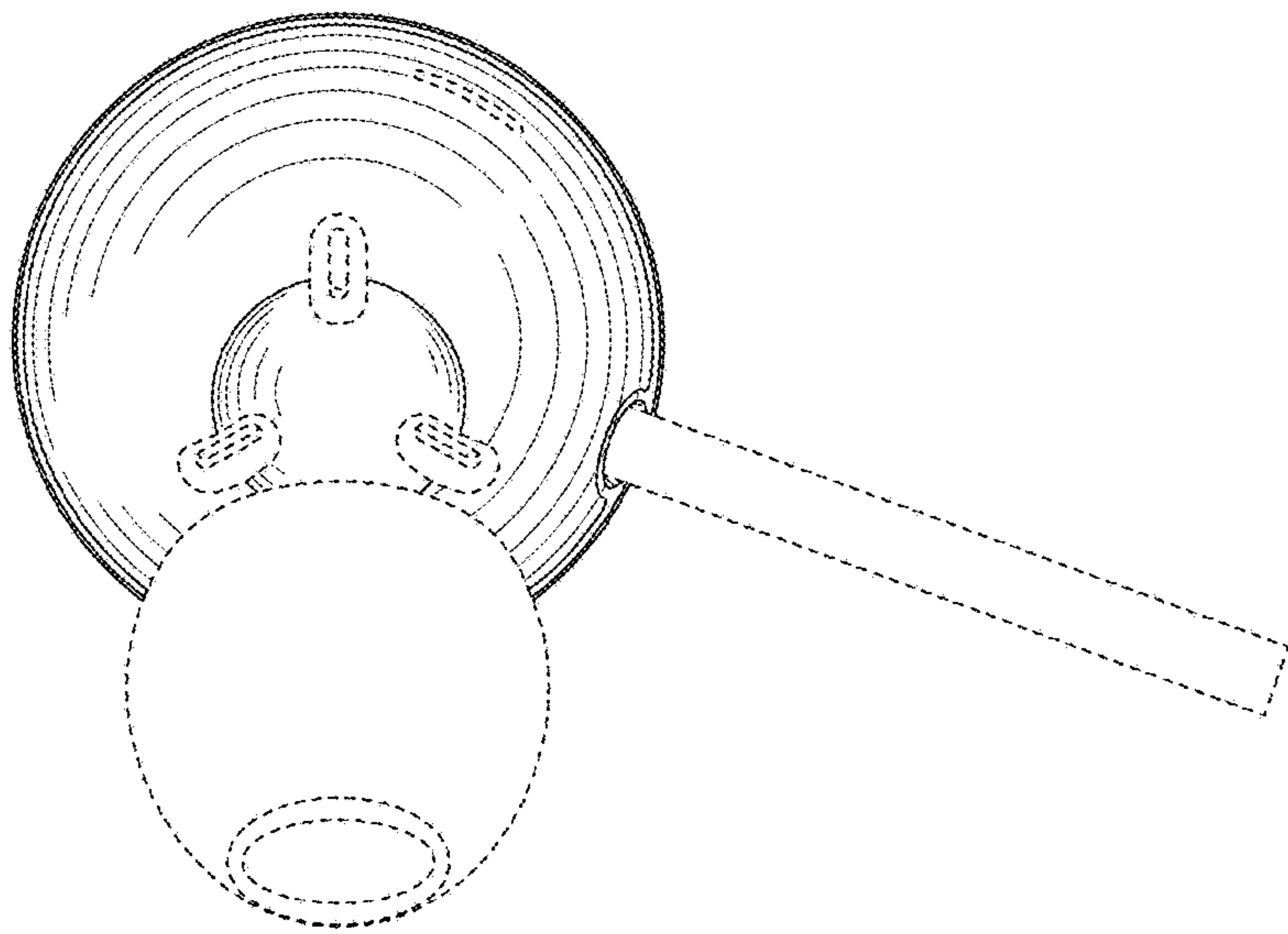


FIG. 7

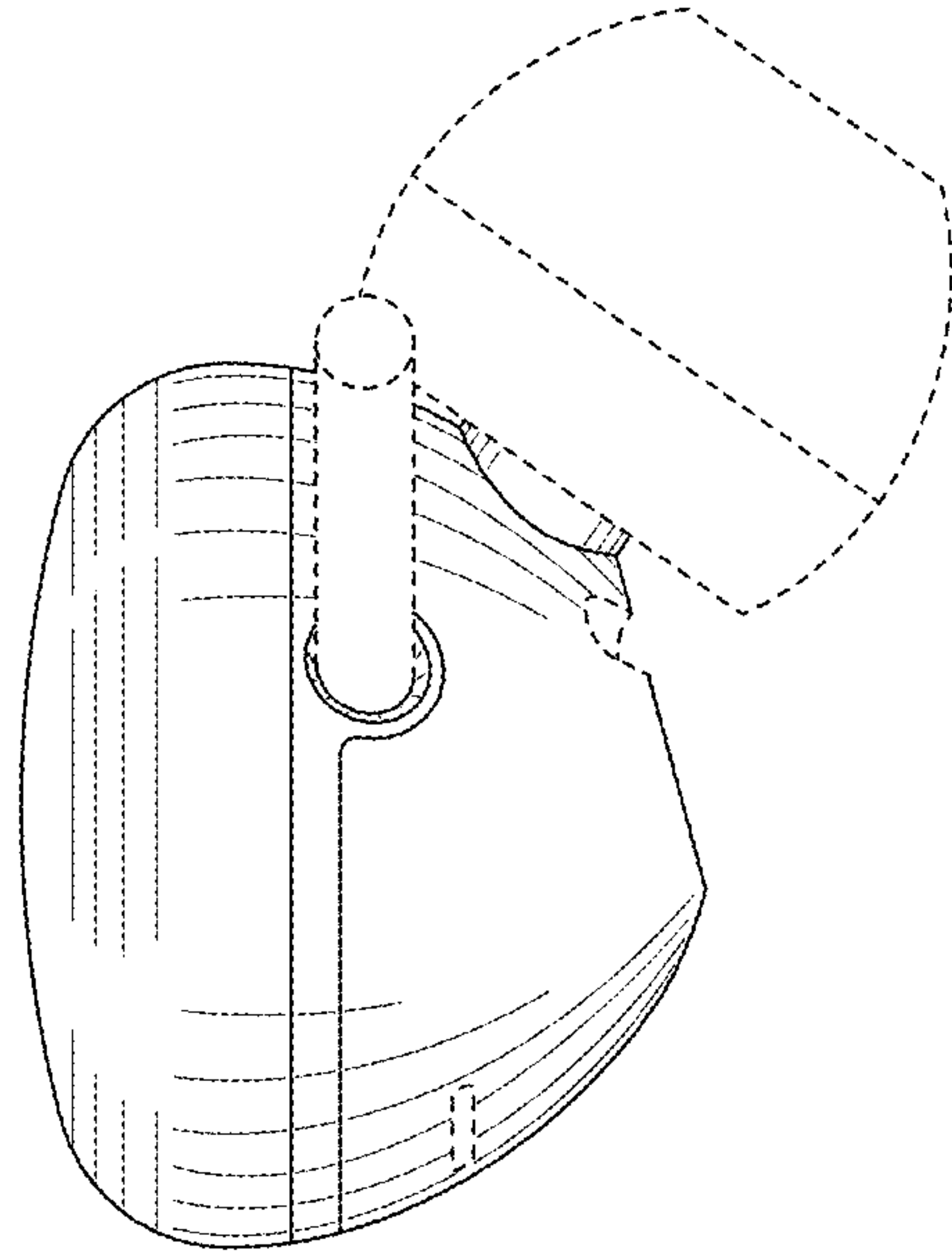


FIG. 9

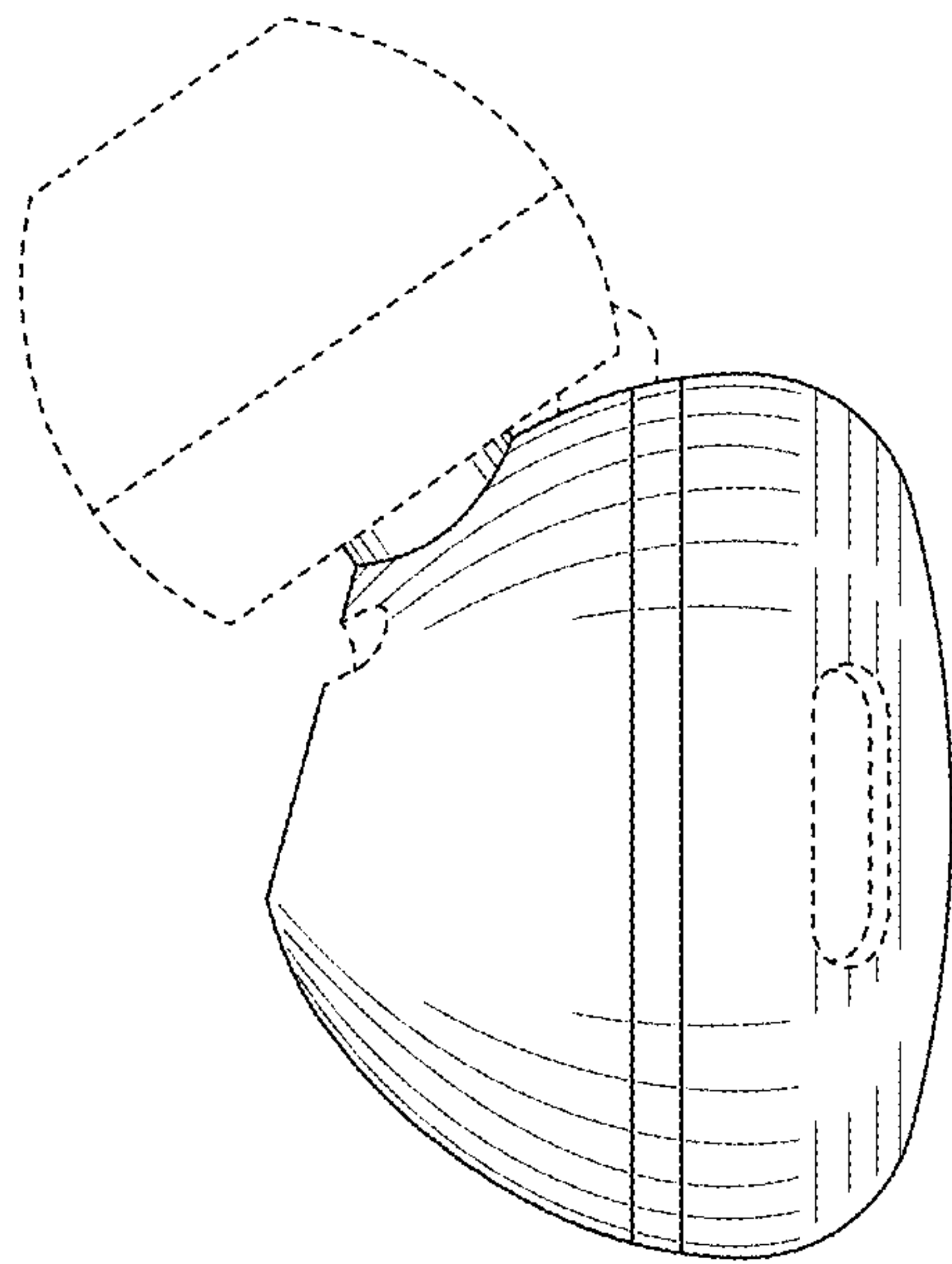


FIG. 8

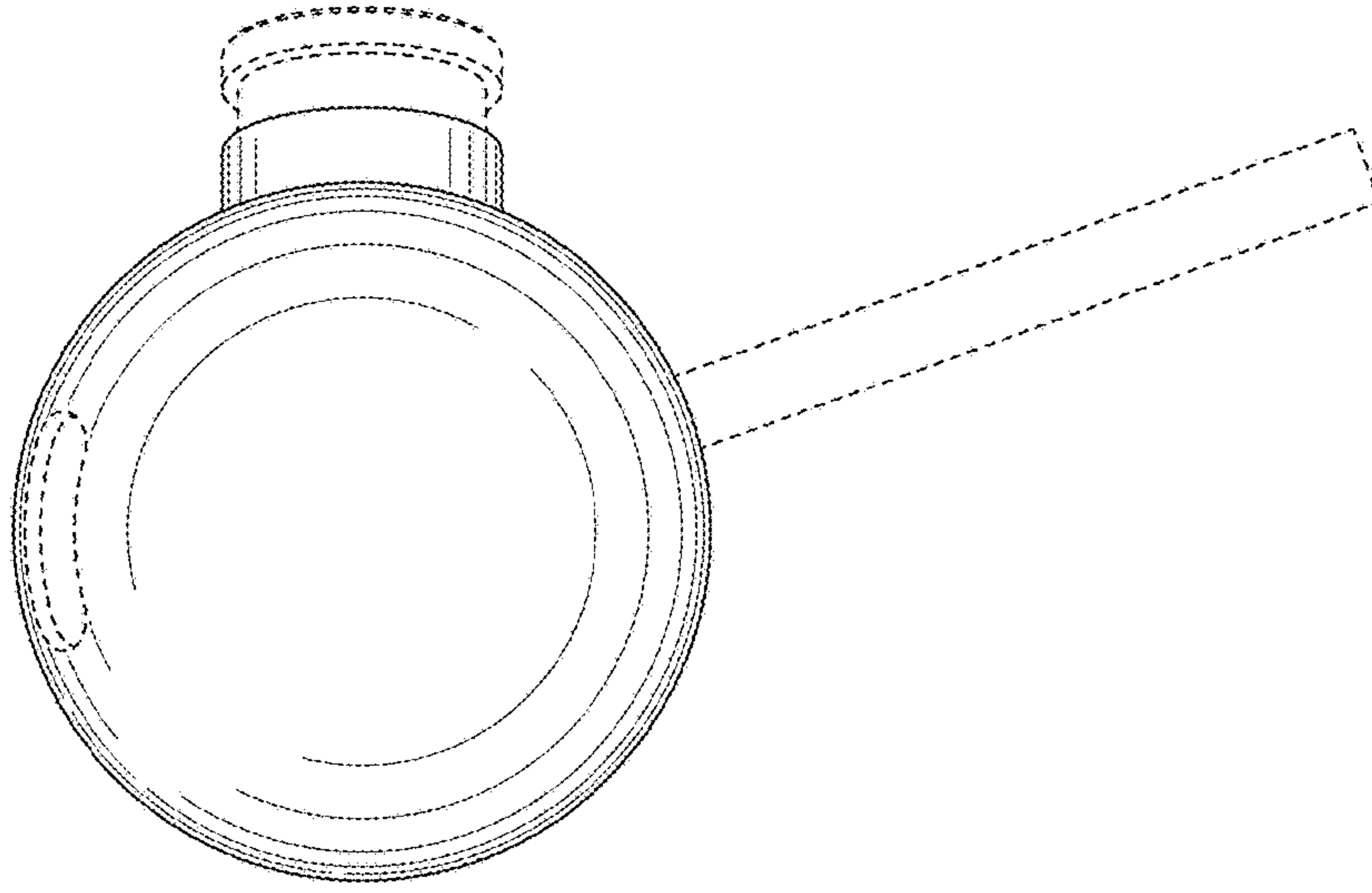


FIG. 11

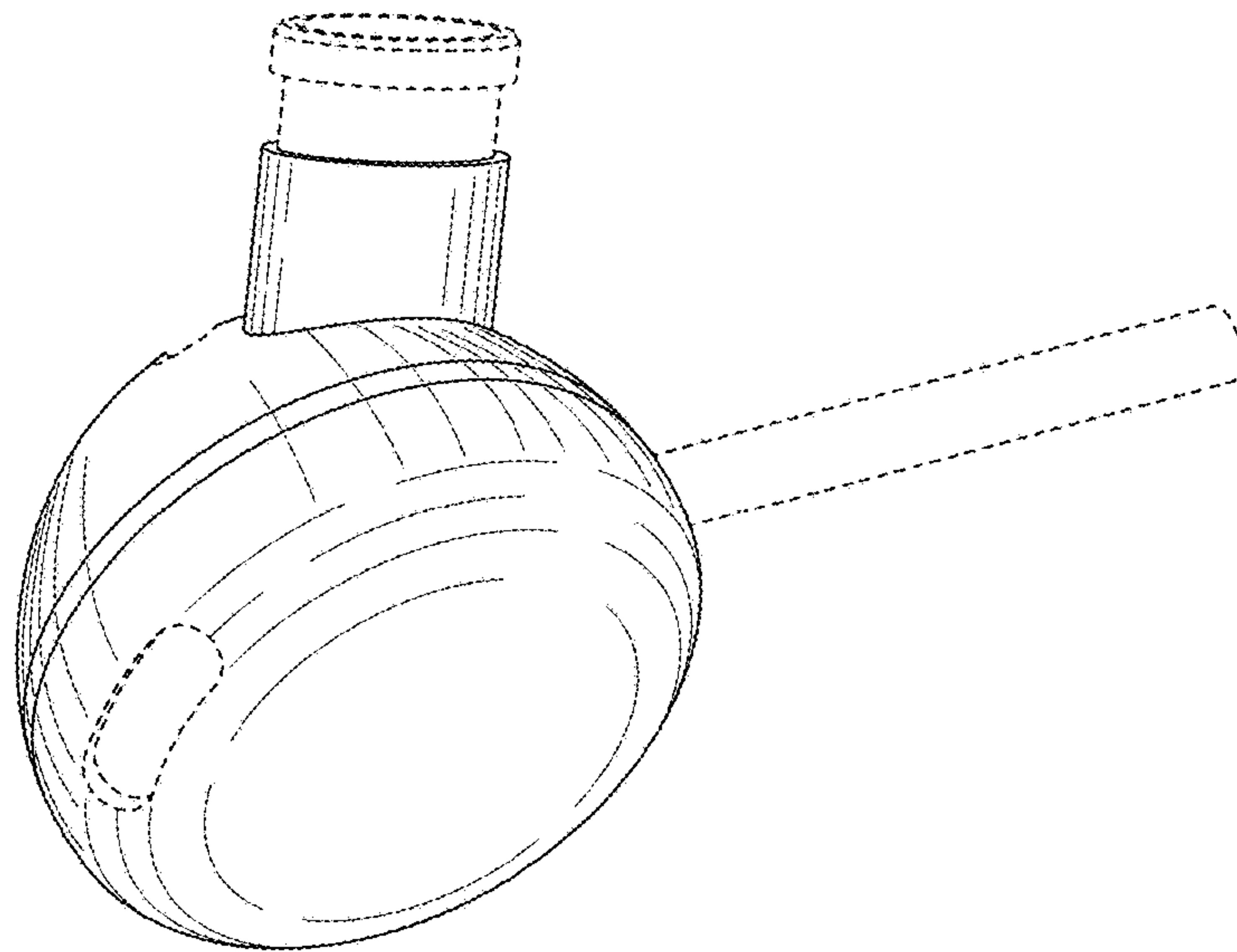


FIG. 10

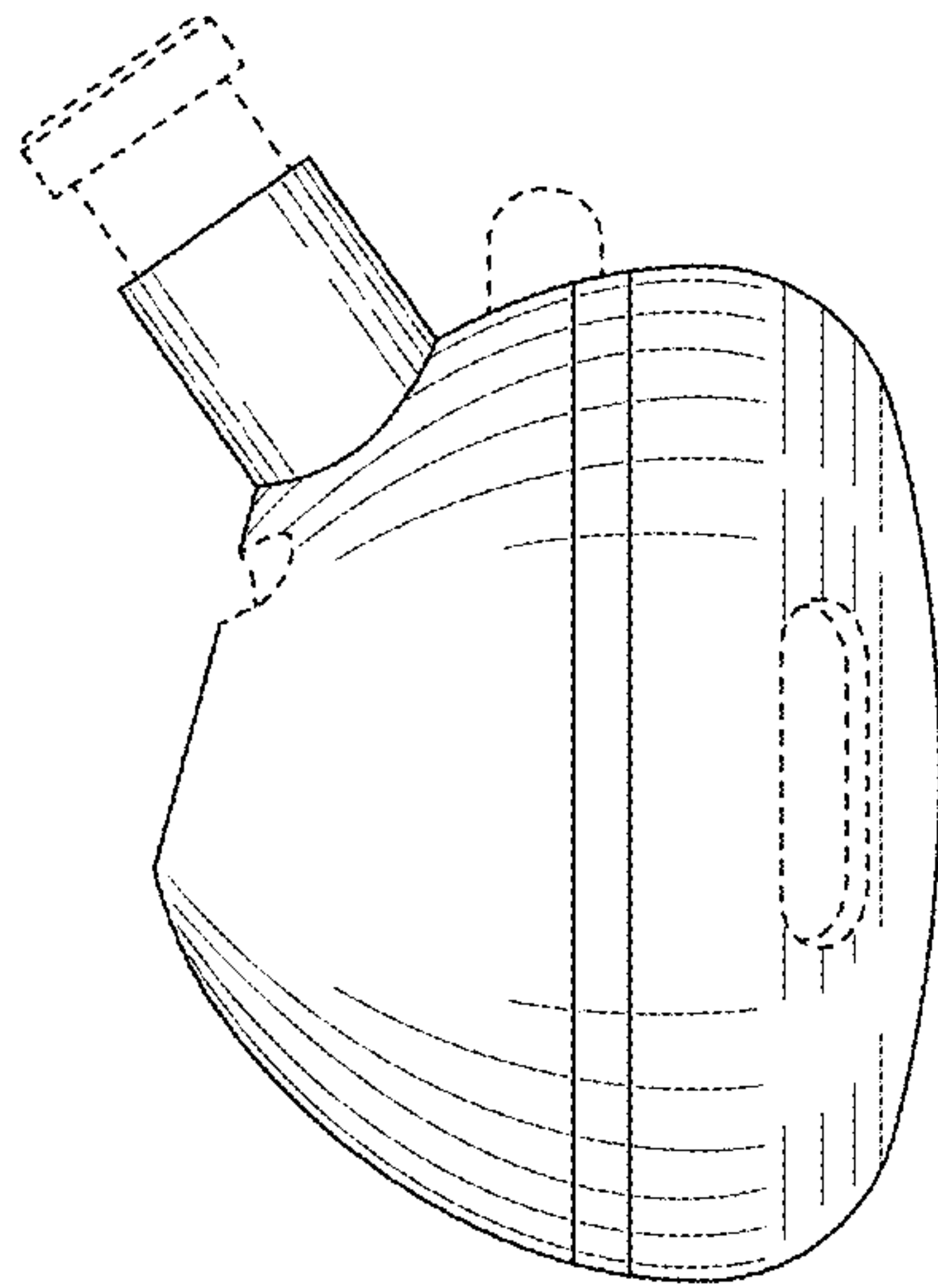


FIG. 12