

US00D795224S

(12) **United States Design Patent**
Valenzuela et al.

(10) **Patent No.: US D795,224 S**

(45) **Date of Patent: ** *Aug. 22, 2017**

(54) **IN-EAR UTILITY DEVICE**

(71) Applicant: **SmartEar, Inc.**, San Francisco, CA (US)

(72) Inventors: **Victor M. Valenzuela**, Hayward, CA (US); **Kinuko Masaki**, San Francisco, CA (US); **Dean L. Gardner**, San Francisco, CA (US); **Jeff Salazar**, Palo Alto, CA (US); **Terence Kwan**, South San Francisco, CA (US)

(73) Assignee: **SmartEar, Inc.**, San Francisco, CA (US)

(*) Notice: This patent is subject to a terminal disclaimer.

(**) Term: **15 Years**

(21) Appl. No.: **29/557,284**

(22) Filed: **Mar. 8, 2016**

(51) **LOC (10) Cl.** **14-01**

(52) **U.S. Cl.**
USPC **D14/223**

(58) **Field of Classification Search**
USPC D14/223; D24/174, 187, 167, 151; 181/129, 130, 135; 379/430, 431; 381/380, 381, 375, 328, 392, 322, 325, 381/382, 390, 370, 371; 128/903, 902, 128/904, 664; 600/323, 484, 474, 500
CPC H04R 1/10; H04R 25/00; H04R 1/105; H04R 1/02; H04R 1/1066; H04R 1/1016; H04R 25/02; H04R 1/1091; H05R 1/1058
See application file for complete search history.

(56) **References Cited**

U.S. PATENT DOCUMENTS

1,852,130 A * 4/1932 Schier H04R 25/656 381/328

1,893,143 A * 1/1933 Koch H04R 25/60 181/135

2,248,837 A * 7/1941 Walters H04R 25/652 181/130

2,619,960 A * 12/1952 Reynolds A61F 11/08 128/868

2,678,973 A * 5/1954 Newman H04R 25/606 381/151

2,754,365 A * 7/1956 Walters H04R 1/225 181/132

2,971,065 A * 2/1961 Busse H04R 25/456 381/104

2,984,726 A * 5/1961 Roeser H01H 13/063 200/296

3,282,106 A * 11/1966 Bowling A61B 5/01 374/126

D207,222 S * 3/1967 Geib 381/312

D219,983 S * 2/1971 Bosch D24/174

3,815,583 A * 6/1974 Scheidt A61B 5/0002 128/903

3,983,336 A * 9/1976 Malek H04R 25/402 381/313

4,069,400 A * 1/1978 Johanson H04R 25/60 381/322

4,133,984 A * 1/1979 Akiyama H04R 25/456 181/135

4,359,708 A * 11/1982 Jarosz H01H 85/10 337/159

D273,706 S * 5/1984 McCall 128/907

4,539,708 A * 9/1985 Norris H04B 1/088 455/100

4,550,227 A * 10/1985 Topholm H04R 25/60 381/322

D287,280 S * 12/1986 Topholm D24/174

D287,764 S * 1/1987 Topholm D24/174

D287,765 S * 1/1987 Topholm D24/174

D300,528 S * 4/1989 Drane D13/171

5,159,936 A * 11/1992 Yelderman A61B 1/227 374/126

5,167,235 A * 12/1992 Seacord G01J 5/02 374/131

D335,349 S * 5/1993 Lyon D24/151

D374,658 S * 10/1996 Bever D13/171

D377,337 S * 1/1997 Schaeffer D13/171

5,626,139 A * 5/1997 Szeles G01J 5/04 374/131

5,654,530 A * 8/1997 Sauer H04R 25/652 181/130

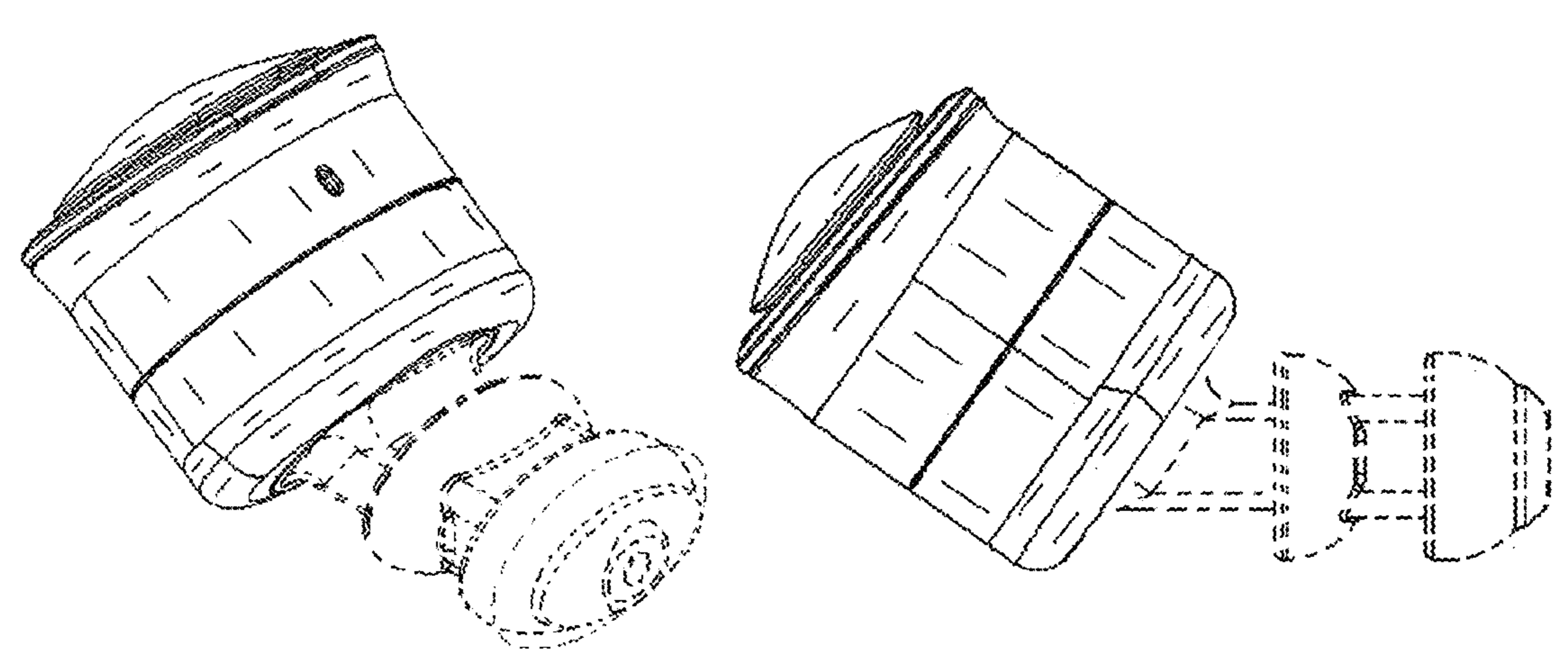
5,812,680 A * 9/1998 Glendon H04R 25/60 381/322

D422,749 S * 4/2000 Binstock D28/8.1

D435,580 S * 12/2000 Grinkus D14/218

D445,405 S * 7/2001 Schneider D13/162

6,358,281 B1 3/2002 Berrang



US D795,224 S

D455,405	S *	4/2002	Bonn	D13/158
D464,630	S *	10/2002	Woodworth	D13/171
D469,411	S *	1/2003	Decosse	D13/171
D475,996	S *	6/2003	Skulley	D14/223
D481,709	S *	11/2003	Solderits	D14/223
D483,281	S *	12/2003	Cobigo	D10/104.1
D506,989	S *	7/2005	Seil	D14/155
D519,985	S *	5/2006	Wikel	D14/205
D526,990	S *	8/2006	Slevin	D14/149
D529,175	S *	9/2006	Franz	D24/151
7,120,267	B2 *	10/2006	Ito	H04M 1/05 381/370
D532,520	S *	11/2006	Kampmeier	D24/174
D536,692	S *	2/2007	Alwicker	D14/188
D537,438	S *	2/2007	Hermansen	D14/223
D555,146	S *	11/2007	Sandy	D14/167
D568,290	S *	5/2008	Wikel	D14/205
D589,152	S *	3/2009	Champkins	D14/223
D596,295	S *	7/2009	Hedstrom	D24/174
D601,548	S *	10/2009	Morisawa	D14/223
D603,380	S *	11/2009	Hutchieson	D14/223
D609,000	S *	2/2010	Portney	D3/203.2
D628,565	S *	12/2010	Wu	D14/223
D632,677	S *	2/2011	Brown	D14/223
D635,676	S *	4/2011	Voix	24/99
D643,833	S *	8/2011	Lee	D14/223
D655,277	S *	3/2012	Wai	D14/223
D666,581	S *	9/2012	Perez	D14/223
8,275,166	B2 *	9/2012	Wu	H04R 25/00 381/328
D670,391	S *	11/2012	Goodman	D24/174
D673,497	S *	1/2013	Rosenzweig	D13/101
D674,904	S *	1/2013	Aunio	D14/223
D678,849	S *	3/2013	McCullar	D13/168
8,389,862	B2	3/2013	Arora	
D682,430	S *	5/2013	Kasic, II	D24/174
D693,796	S *	11/2013	Birger	D14/223
D698,026	S *	1/2014	Kuwata	D24/174
8,634,918	B2	1/2014	Chambers	
D705,751	S *	5/2014	Wenger	D14/206
D705,760	S *	5/2014	Drambarean	H04R 25/00 D14/223
8,798,298	B1	8/2014	Burns	
8,855,345	B2	10/2014	Shennib	
D717,443	S *	11/2014	Hughes	D24/167
D719,139	S *	12/2014	Henry	D14/223
D725,082	S *	3/2015	Palmborg	D14/223
8,983,108	B2 *	3/2015	Ho	H04R 1/1058 181/135
D726,165	S *	4/2015	Kawaji	D14/223
D726,567	S *	4/2015	De Jong	D10/70
D733,102	S *	6/2015	Palmborg	D14/223
D739,851	S *	9/2015	Donohue, II	D14/223
D744,110	S *	11/2015	Kubo	D24/186
D746,792	S *	1/2016	Kim	D14/205
9,456,285	B2	9/2016	Bymaster	
D770,426	S *	11/2016	LaBerge	D14/205
D773,437	S *	12/2016	Lee	D14/223
D776,281	S *	1/2017	Fyrlund	D24/173
D777,710	S *	1/2017	Palmborg	D14/223
D781,269	S *	3/2017	Choe	D14/223
2002/0181336	A1	12/2002	Shields	
2003/0027606	A1 *	2/2003	Tsai	H04M 1/05 455/575.2
2004/0224717	A1 *	11/2004	Hertzberg	H04M 1/22 455/550.1
2004/0243204	A1	12/2004	Maghribi	
2006/0045304	A1	3/2006	Lee	
2006/0098833	A1	5/2006	Juneau	
2007/0154030	A1	7/2007	Moses	
2007/0154049	A1 *	7/2007	Levitsky	H04R 1/1083 381/371
2008/0063231	A1	3/2008	Juneau	
2009/0143096	A1	6/2009	Chang	
2010/0002402	A1	1/2010	Rogers	
2011/0002498	A1	1/2011	Wong	

2011/0224493	A1	9/2011	Oyadiran	
2012/0114160	A1 *	5/2012	Lin	H04R 1/1091 381/380
2012/0300965	A1	11/2012	Samuels	
2013/0142363	A1	6/2013	Amento	
2013/0339025	A1	12/2013	Suhami	
2014/0112520	A1	4/2014	Knudsen	
2014/0169599	A1	6/2014	Solum	
2014/0172042	A1	6/2014	Goorevich	
2014/0301561	A1	10/2014	Silberman	
2014/0303452	A1	10/2014	Ghaffari	
2015/0183167	A1	7/2015	Molinari	
2015/0230022	A1	8/2015	Sakai	
2015/0261298	A1	9/2015	Li	
2016/0049074	A1	2/2016	Shennib	
2016/0057550	A1	2/2016	Shennib	
2016/0162256	A1	6/2016	Komaromi	
2016/0192050	A1	6/2016	Masaki	
2016/0206000	A1	7/2016	Lord	

FOREIGN PATENT DOCUMENTS

WO WO2014/138735 A1 9/2014

OTHER PUBLICATIONS

International Search Report for PCT/US15/57998, and International Written Opinion for PCT/US15/57988, Apr. 29, 2016, 15 pages.
“Wireless Headphones | Koss Striva Tap Wi-Fi Earbuds” by Mila Pantovich Jun. 8, 2012, JustLuxe, pp. 1-3, <http://www.justluxe.com/lifestyle/electronics/feature-1780526.php> (retrieved Apr. 16, 2017).
“Here Active Listening earbuds: Augmented reality for your ears (hands-on)” by Will Shanklin, Jan. 13, 2016, pp. 1-4, <http://newatlas.com/doppler-labs-here-earbuds-hands-on/41322/> (retrieved Apr. 16, 2017).
Nap Zapper Anti-Sleep Alarm, Amazon, pp. 1-6, <https://www.amazon.com/Generic-Nap-Zapper-Anti-Sleep-Alarm/dp/B000BK4KW8> (retrieved Apr. 16, 2017).

* cited by examiner

Primary Examiner — Paula Greene
(74) *Attorney, Agent, or Firm* — Avancept LLC; Thomas L. Ewing

(57) CLAIM

The ornamental design for an in-ear utility device, as shown and described.

DESCRIPTION

FIG. 1 is a front perspective view of an in-ear utility device showing our new design;
FIG. 2 is a front side view thereof;
FIG. 3 is a right side perspective view thereof;
FIG. 4 is a left side perspective view thereof
FIG. 5 is a left side view thereof;
FIG. 6 is a right side view thereof;
FIG. 7 is a bottom view perspective thereof; and,
FIG. 8 is a bottom perspective view.
The broken lines in the Figures show portions of the ear piece which form no part of the claimed design.
The in-ear utility device can, for example, be a wireless in-ear device for use in providing a variety of services to users, such as music playing, sound amplification, and sports monitoring devices.

1 Claim, 4 Drawing Sheets

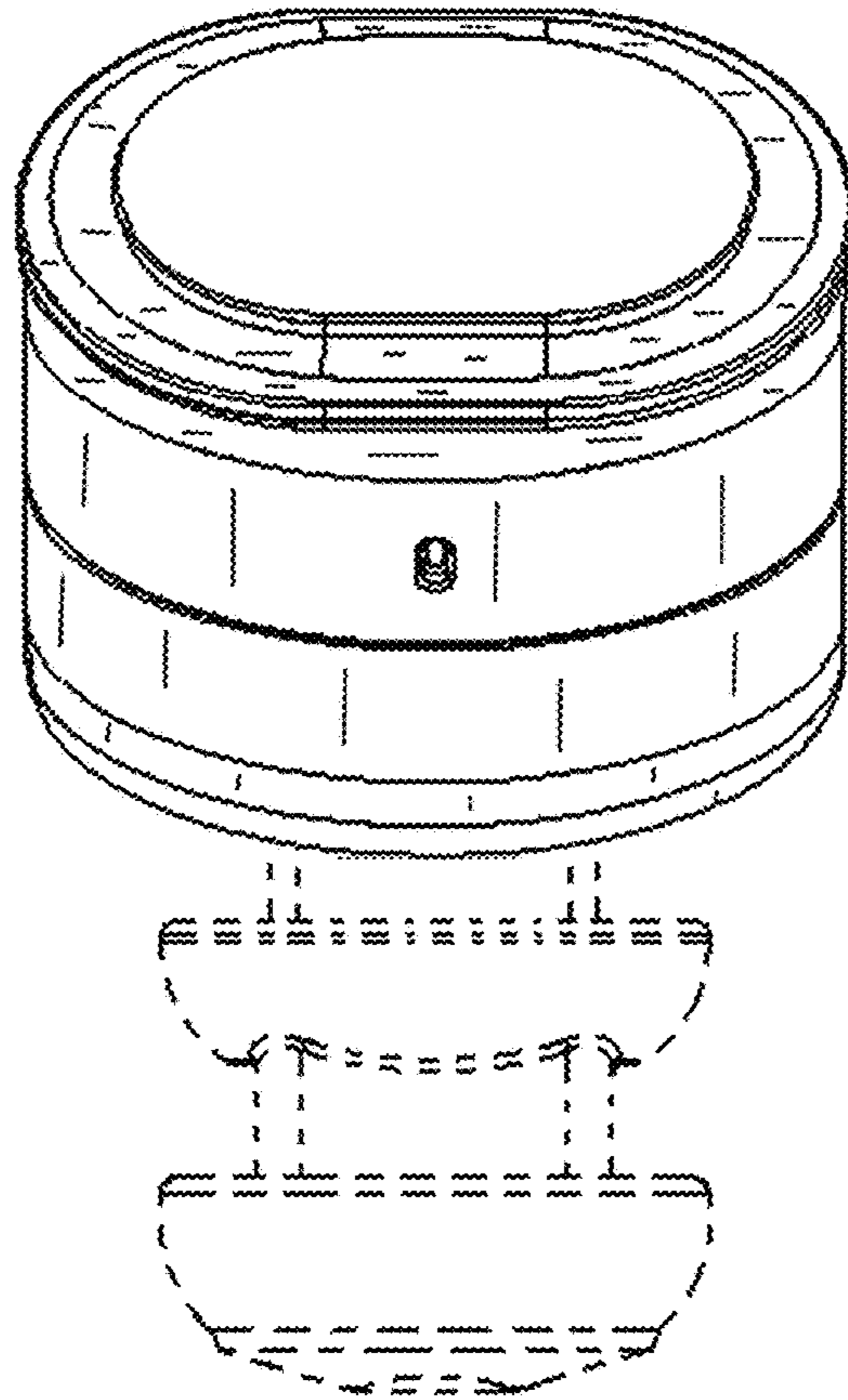


FIG. 1

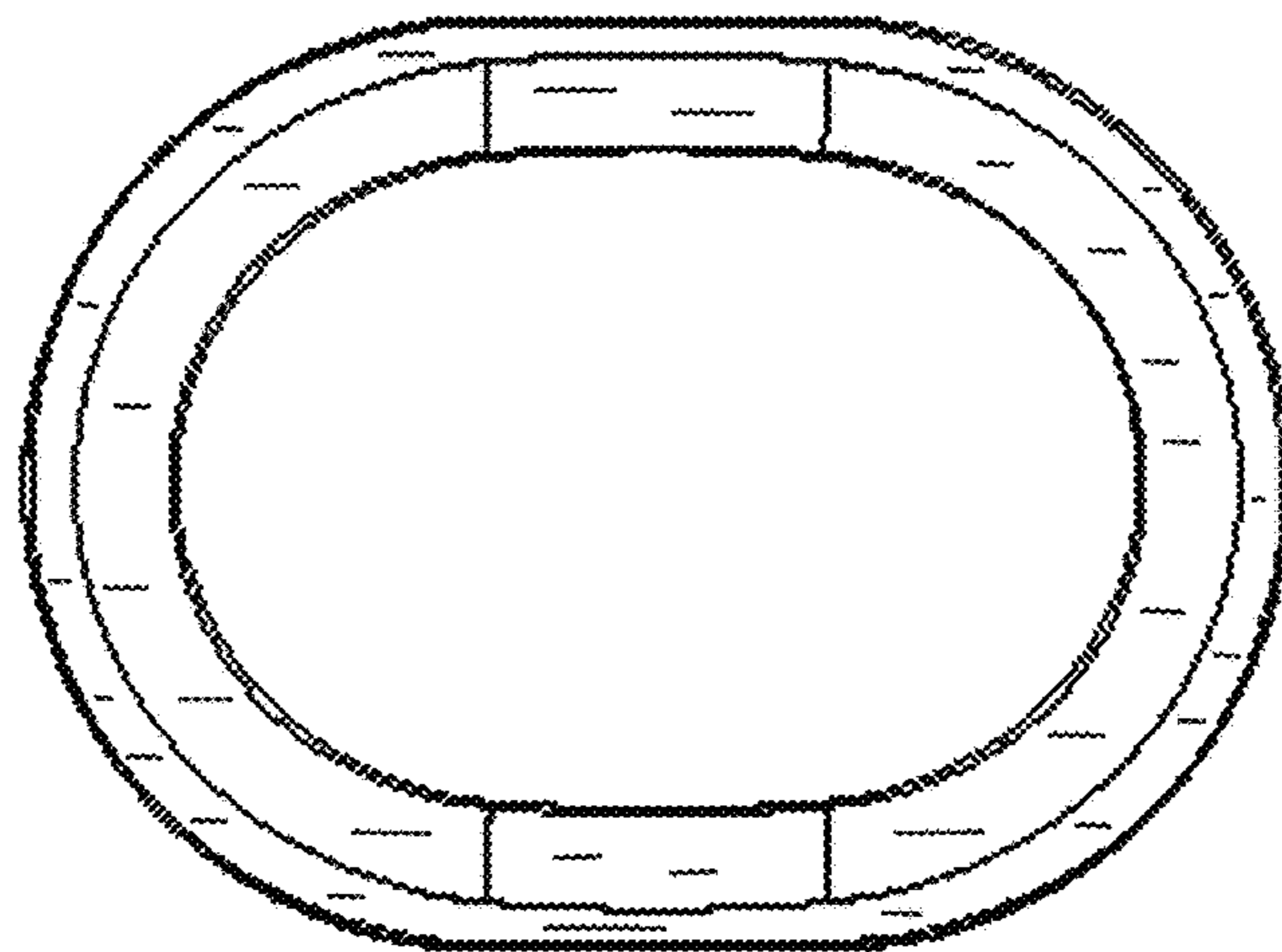


FIG. 2

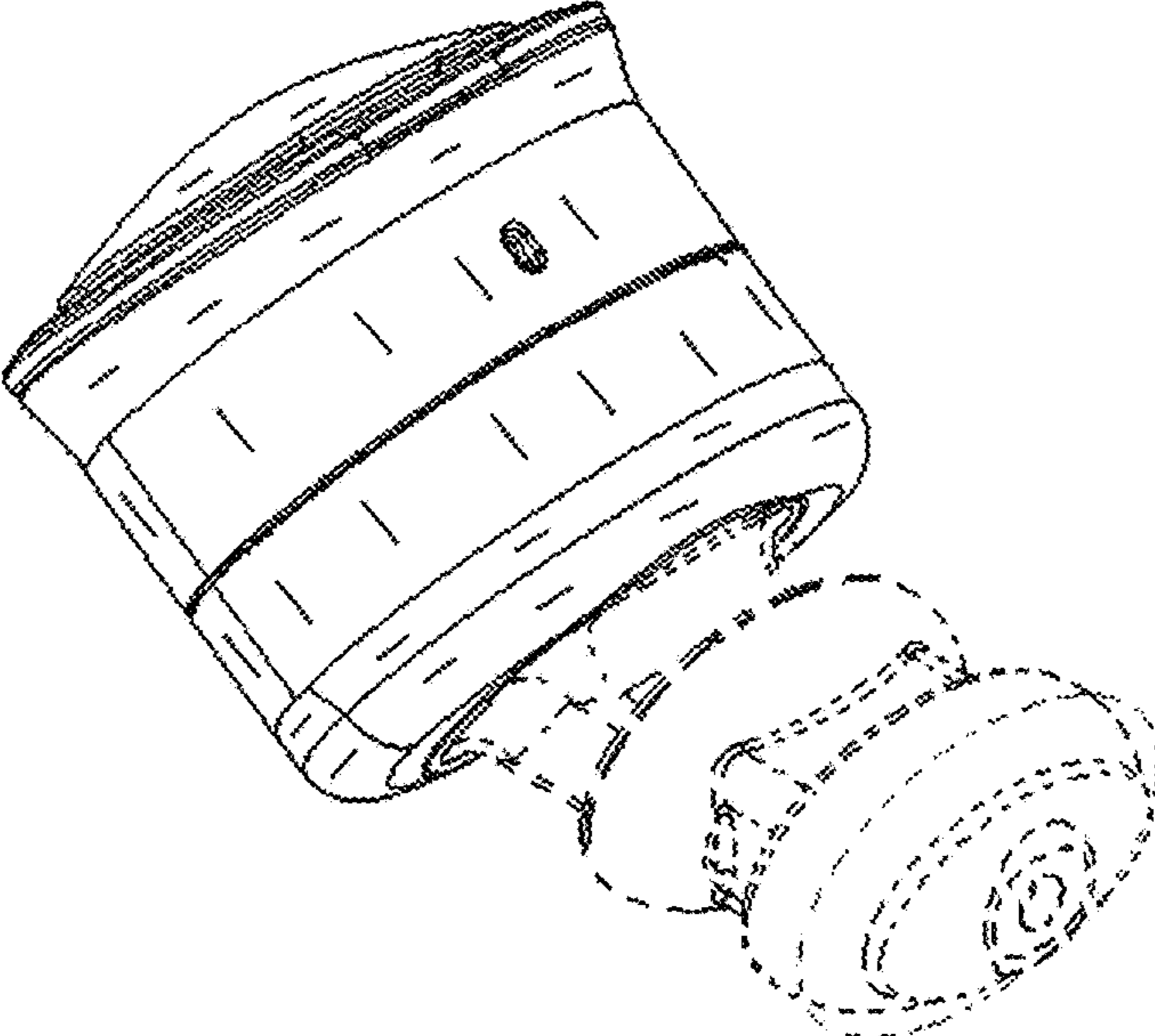


FIG. 3

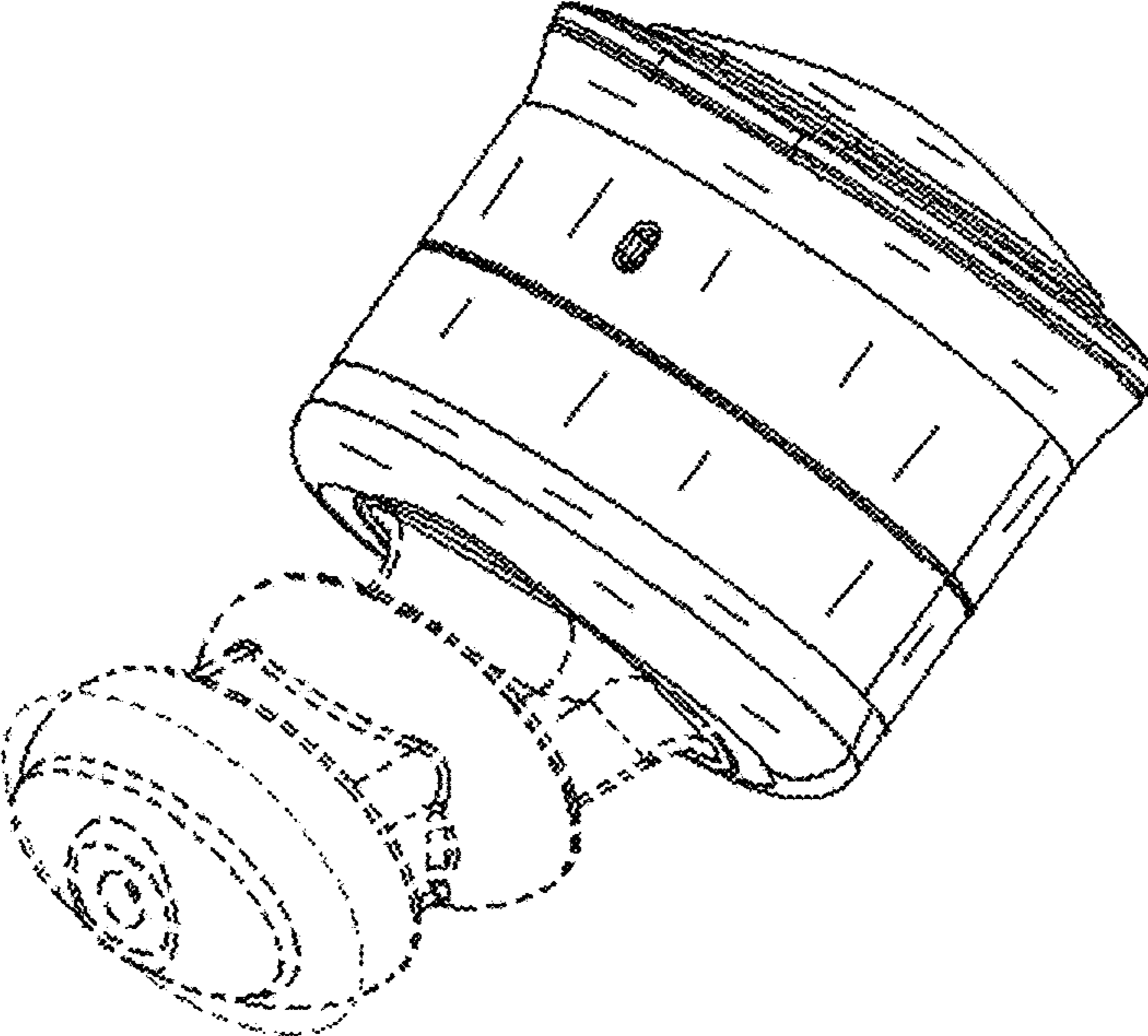


FIG. 4

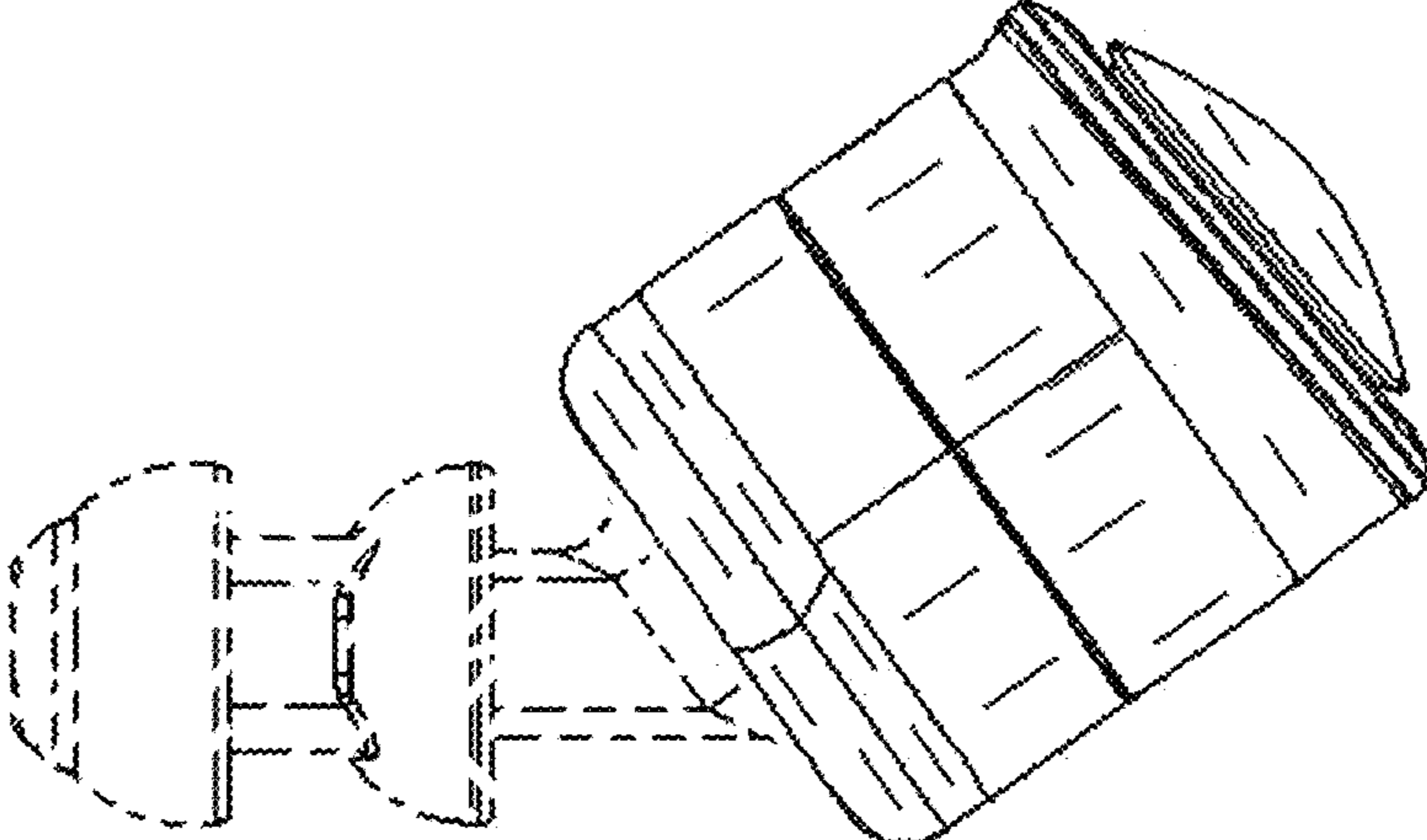


FIG. 5

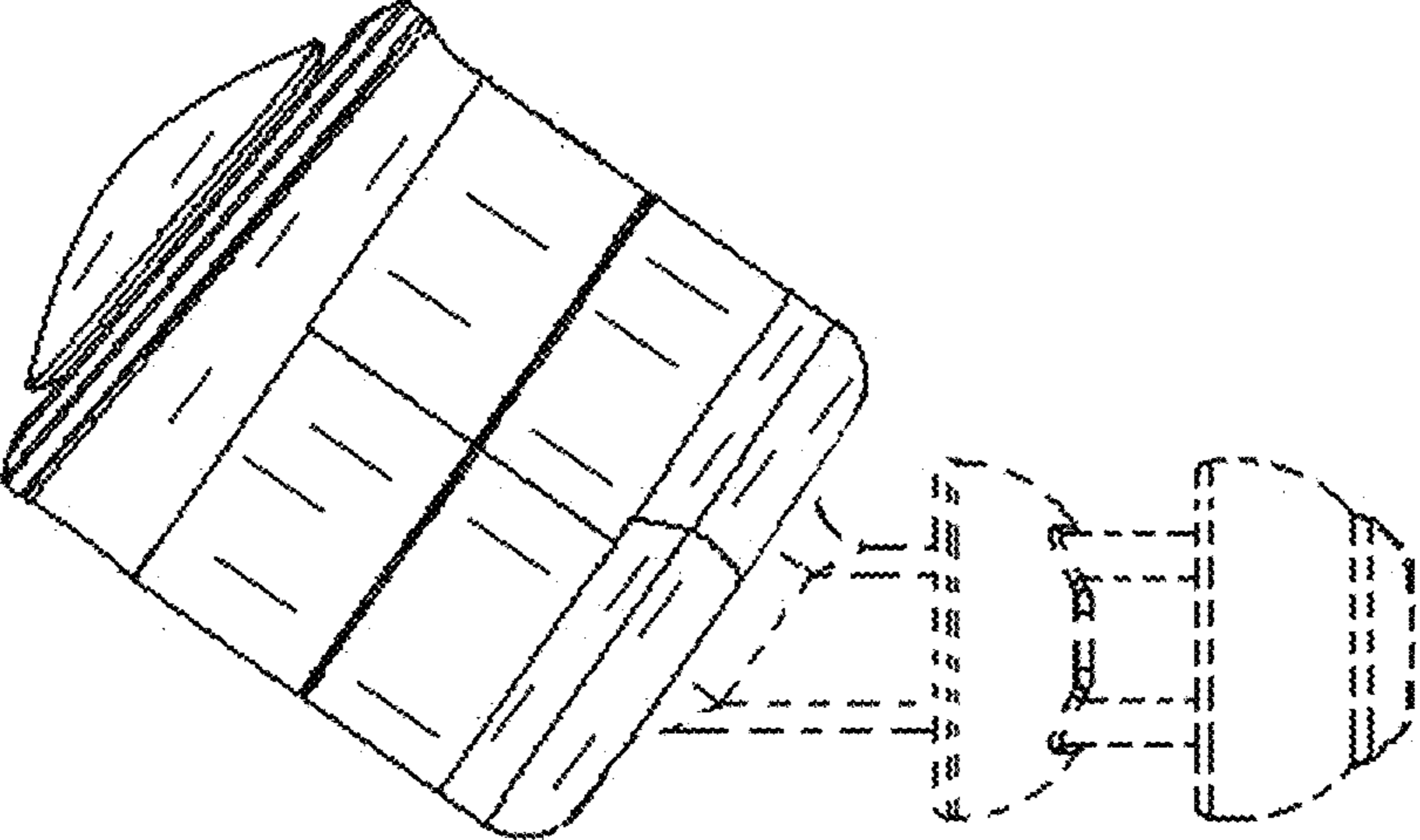


FIG. 6

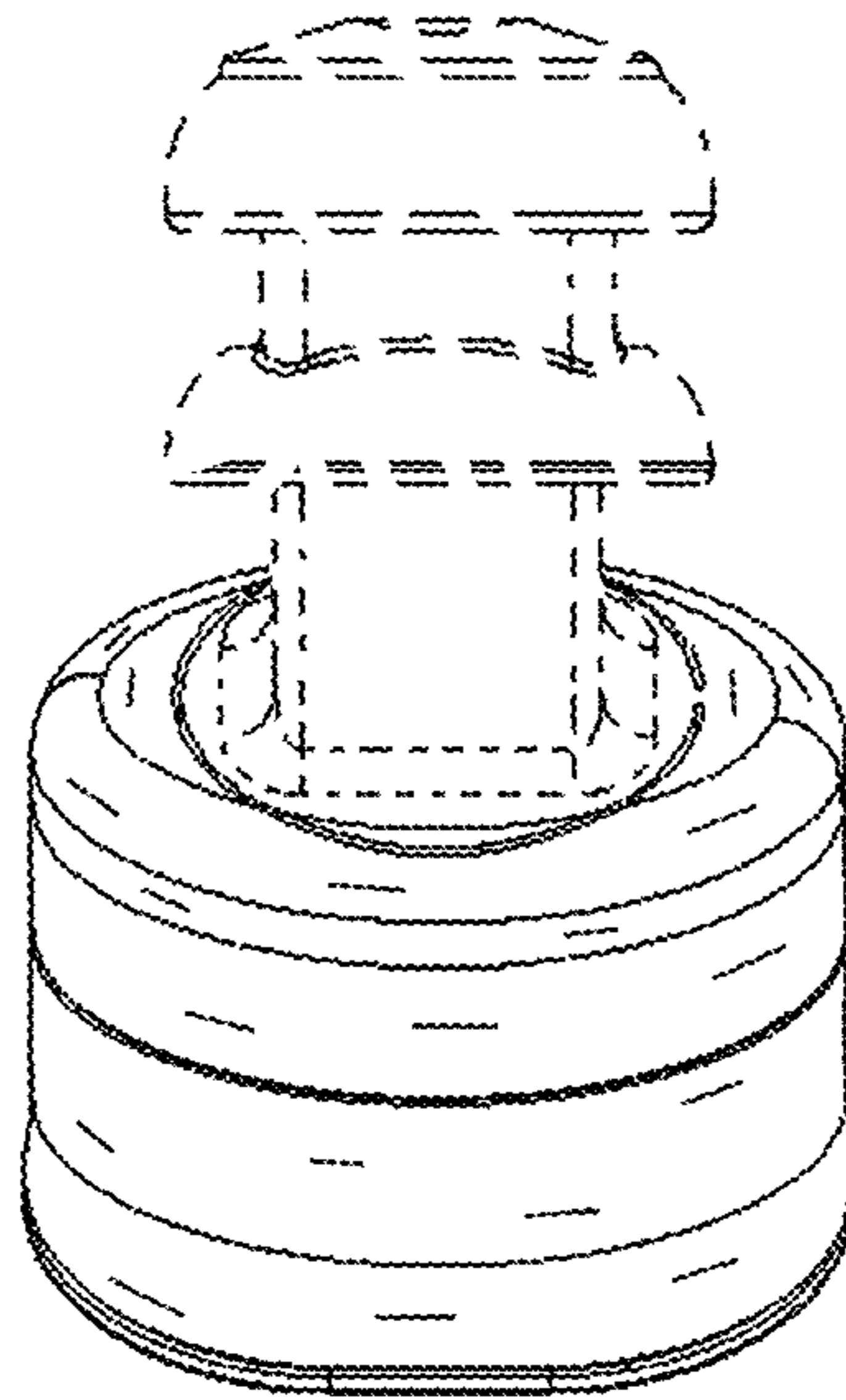


FIG. 7

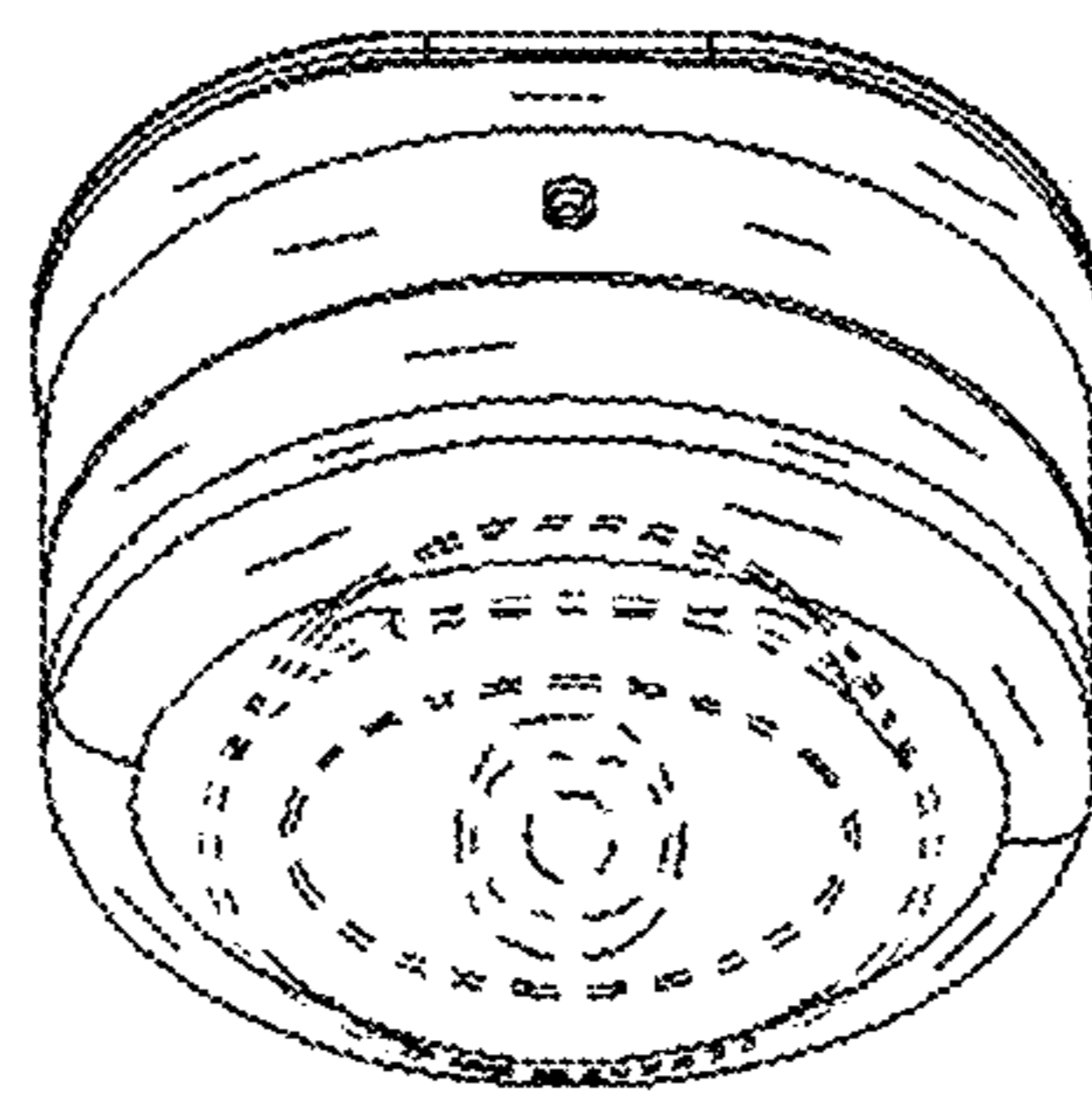


FIG. 8