



US00D795223S

(12) **United States Design Patent**
Carr

(10) **Patent No.:** **US D795,223 S**
(45) **Date of Patent:** **** Aug. 22, 2017**

(54) **COMMUNICATIONS HEADSET**

(71) Applicant: **Plantronics, Inc.**, Santa Cruz, CA (US)

(72) Inventor: **Terry Carr**, Santa Cruz, CA (US)

(73) Assignee: **Plantronics, Inc.**, Santa Cruz, CA (US)

(**) Term: **15 Years**

(21) Appl. No.: **29/557,045**

(22) Filed: **Mar. 4, 2016**

(51) **LOC (10) Cl.** **14-01**

(52) **U.S. Cl.**
USPC **D14/223**

(58) **Field of Classification Search**

USPC D14/223, 206, 138 AA, 440; 181/129,
181/130, 135; 379/430, 431; 455/90.3,
455/575.1

CPC H04R 1/10; H04R 25/00; H04R 1/1016;
H04R 1/1066

See application file for complete search history.

(56) **References Cited**

U.S. PATENT DOCUMENTS

2,663,070	A *	12/1953	Bennett	B23D 71/00 407/29.1
3,197,576	A *	7/1965	Martin	H04R 25/65 381/322
D213,109	S *	1/1969	Young	D24/174
4,375,016	A *	2/1983	Harada	H04R 25/656 181/135
D307,293	S *	4/1990	Sawada	D18/11
D344,800	S *	3/1994	Lamby	D24/174
6,256,386	B1 *	7/2001	Phillips	H04M 1/05 379/430
D568,876	S *	5/2008	Tsai	D14/223
D573,140	S *	7/2008	Tsai	D14/205

(Continued)

OTHER PUBLICATIONS

Unknown, "Nokia J Bluetooth Headset," images found at URL <https://www.amazon.com/Nokia-J-Bluetooth-Headset-Silver/dp/B004XIB910?ie=UTF8&ref_=cm_cr_ar_p_d_product_top> on Jul. 15, 2016.

Primary Examiner — Paula Greene

(57) **CLAIM**

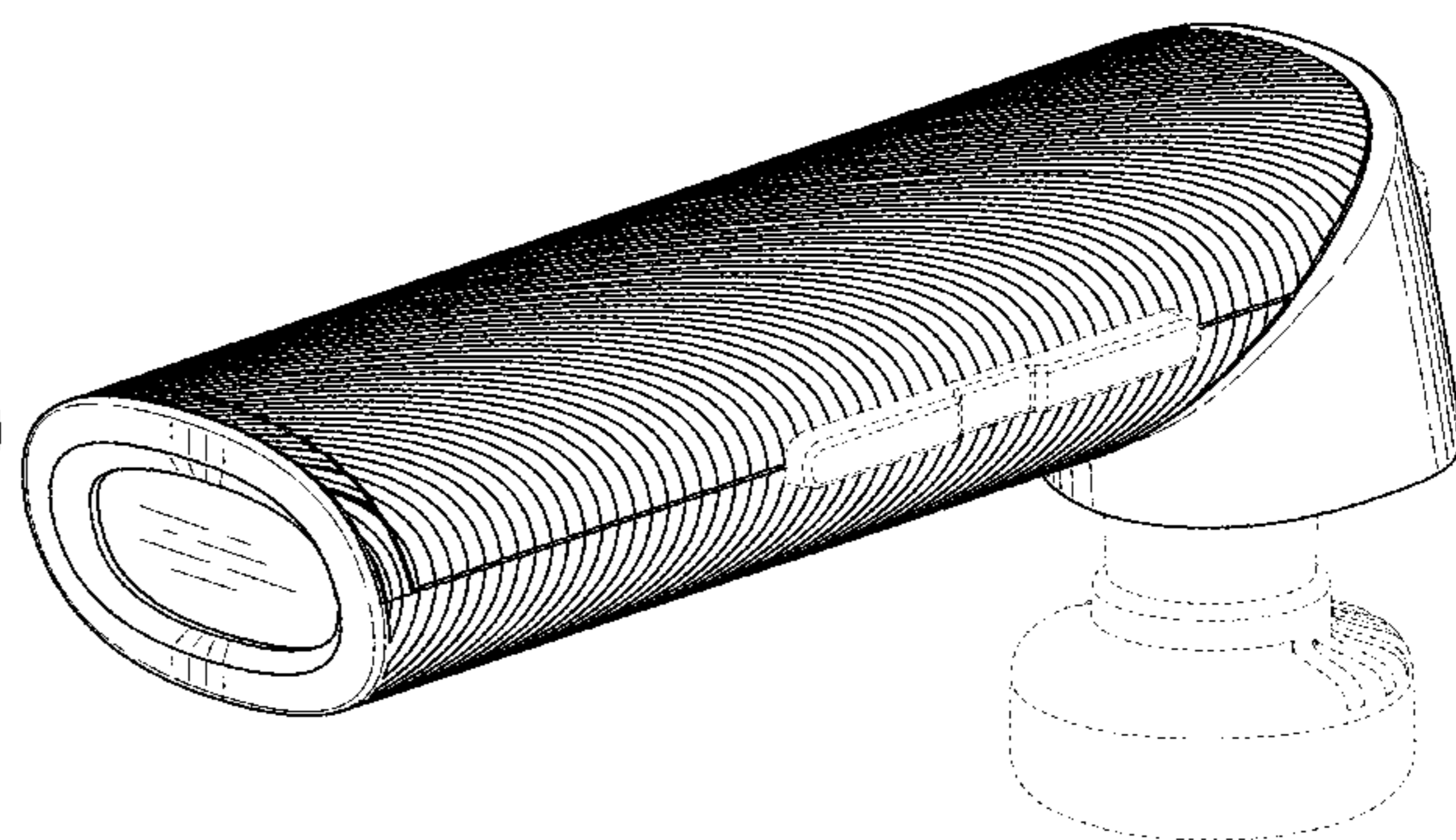
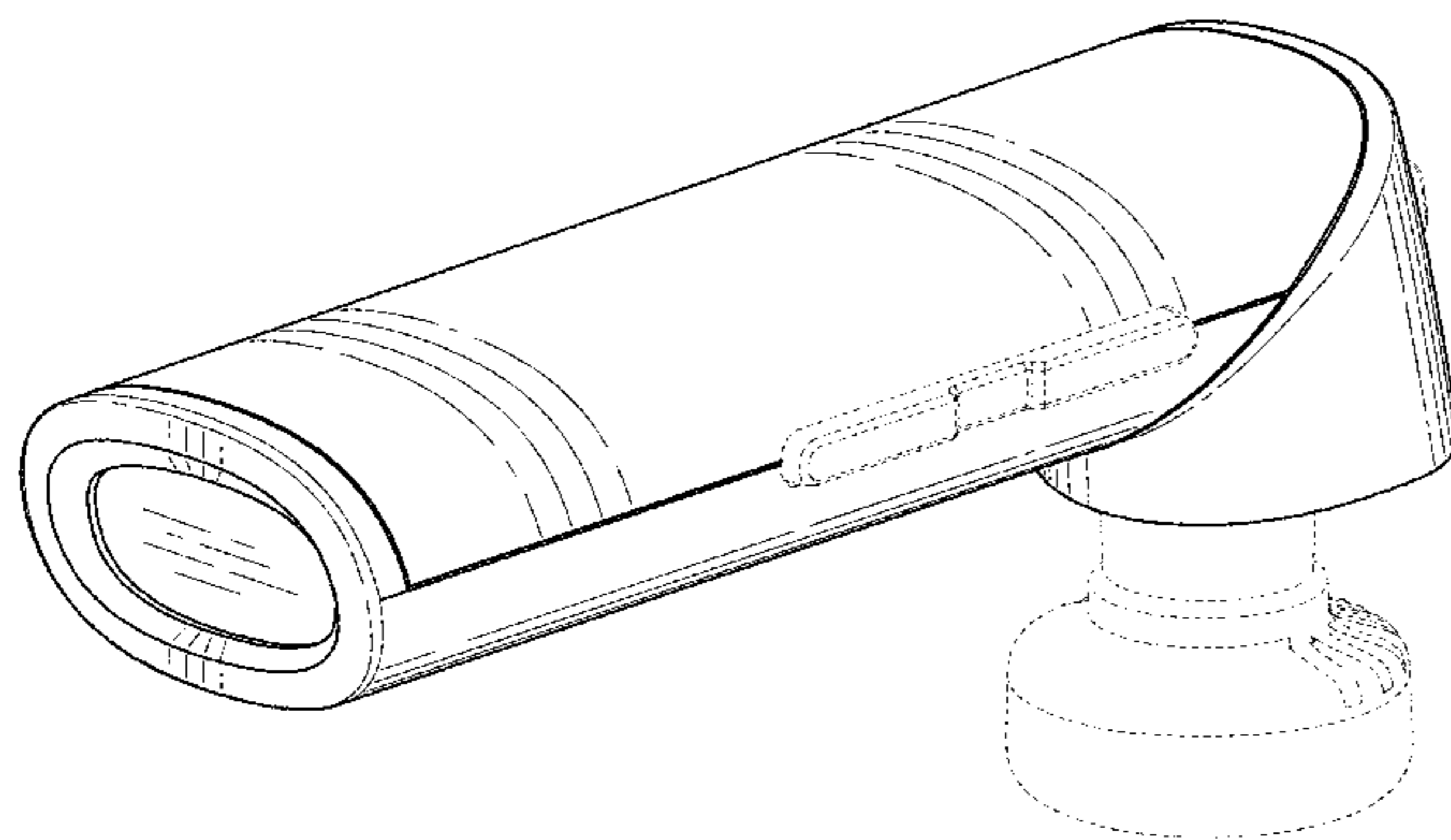
The ornamental design for a communications headset, as shown and described.

DESCRIPTION

FIG. 1 is a top-front-right perspective view of a communications headset showing my new design;
 FIG. 2 is a top-back-left perspective view thereof;
 FIG. 3 is a front view thereof;
 FIG. 4 is a back view thereof;
 FIG. 5 is a left view thereof;
 FIG. 6 is a right view thereof;
 FIG. 7 is a top view thereof;
 FIG. 8 is a bottom view thereof;
 FIG. 9 is a top-front-right perspective view showing a second embodiment of my new design;
 FIG. 10 is a top-back-left perspective view thereof;
 FIG. 11 is a front view thereof;
 FIG. 12 is a back view thereof;
 FIG. 13 is a left view thereof;
 FIG. 14 is a right view thereof;
 FIG. 15 is a top view thereof;
 FIG. 16 is a bottom view thereof;
 FIG. 17 is a top-front-right perspective view showing a third embodiment of my new design;
 FIG. 18 is a top-back-left perspective view thereof;
 FIG. 19 is a front view thereof;
 FIG. 20 is a back view thereof;
 FIG. 21 is a left view thereof;
 FIG. 22 is a right view thereof;
 FIG. 23 is a top view thereof; and,
 FIG. 24 is a bottom view thereof.

The broken lines showing the unclaimed features form no part of the claimed design.

1 Claim, 24 Drawing Sheets



(56)

References Cited

U.S. PATENT DOCUMENTS

D585,431 S * 1/2009 Bradford D14/205
 D586,333 S * 2/2009 Tkachuk D14/223
 D588,564 S * 3/2009 Pegon D14/138 AA
 D592,677 S * 5/2009 Sheba D14/434
 D602,476 S * 10/2009 Lee D14/223
 D602,477 S * 10/2009 Lee D14/223
 D603,378 S * 11/2009 Paradise D14/223
 D606,305 S * 12/2009 Lee D3/269
 D608,766 S * 1/2010 Brickstad D14/223
 D610,111 S * 2/2010 Kim D14/138 AA
 D614,172 S * 4/2010 Brennwald D14/223
 D614,608 S * 4/2010 Behling D14/223
 D615,940 S * 5/2010 Kim D14/138 AA
 D616,873 S * 6/2010 Olivier D14/223
 D629,396 S * 12/2010 Andre D14/223

D630,181 S * 1/2011 Xiao D14/138 AA
 D636,381 S * 4/2011 Liner D14/223
 D640,242 S * 6/2011 Fahrendorff D14/223
 D643,420 S * 8/2011 Huang D14/223
 8,121,334 B2 * 2/2012 Tsai H04M 1/05
 381/374
 8,144,450 B2 * 3/2012 Jokinen H04M 1/0237
 361/679.01
 D693,796 S * 11/2013 Birger D14/223
 D707,659 S * 6/2014 Henning D14/223
 D715,775 S * 10/2014 Rueskov D14/221
 D726,693 S * 4/2015 Behar D14/223
 D738,862 S * 9/2015 Behar D14/223
 D761,769 S * 7/2016 Harper D14/223
 D772,203 S * 11/2016 Zeng D14/223
 2009/0107661 A1 * 4/2009 Andersson F28D 9/005
 165/168

* cited by examiner

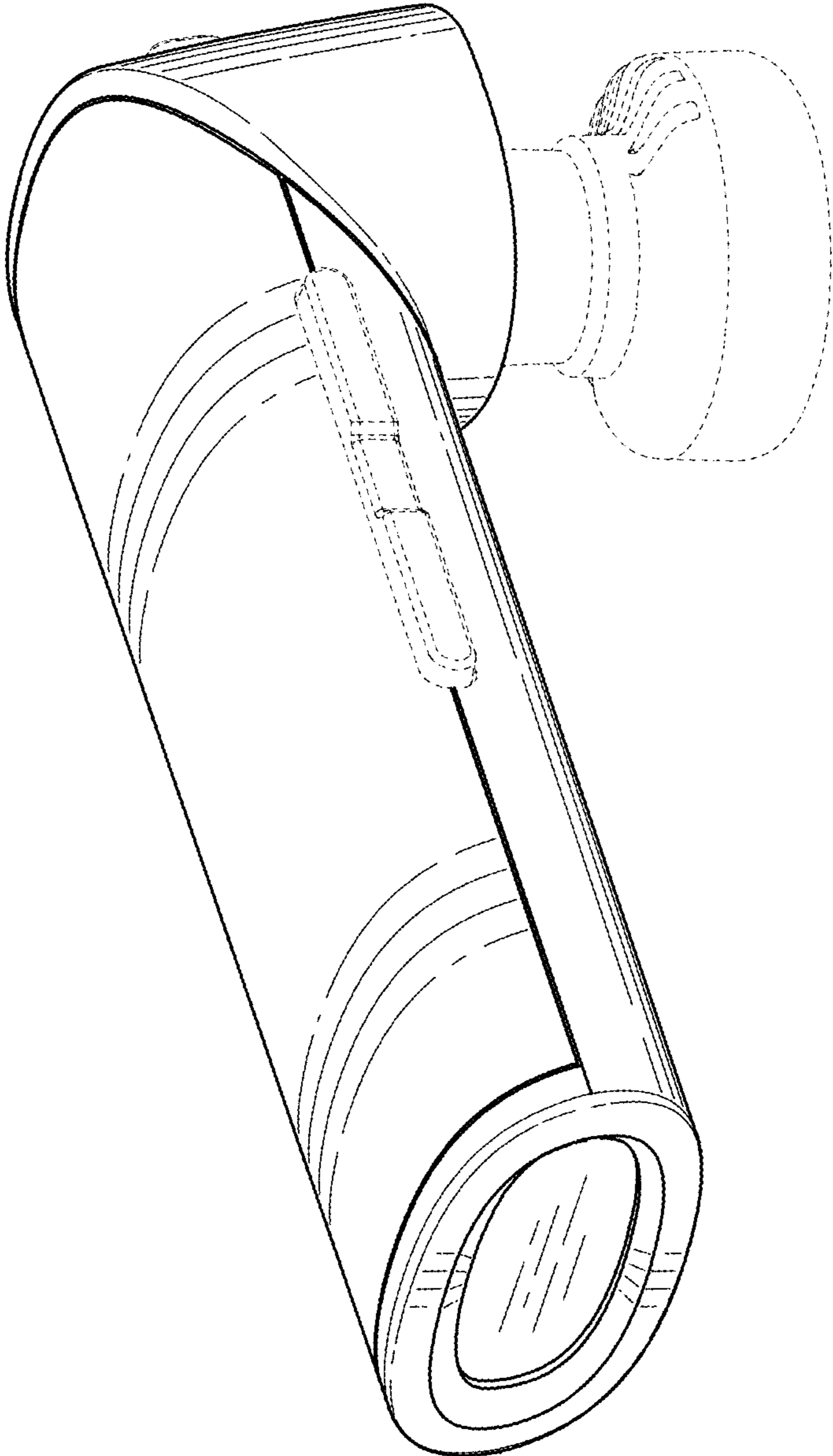


FIG. 1

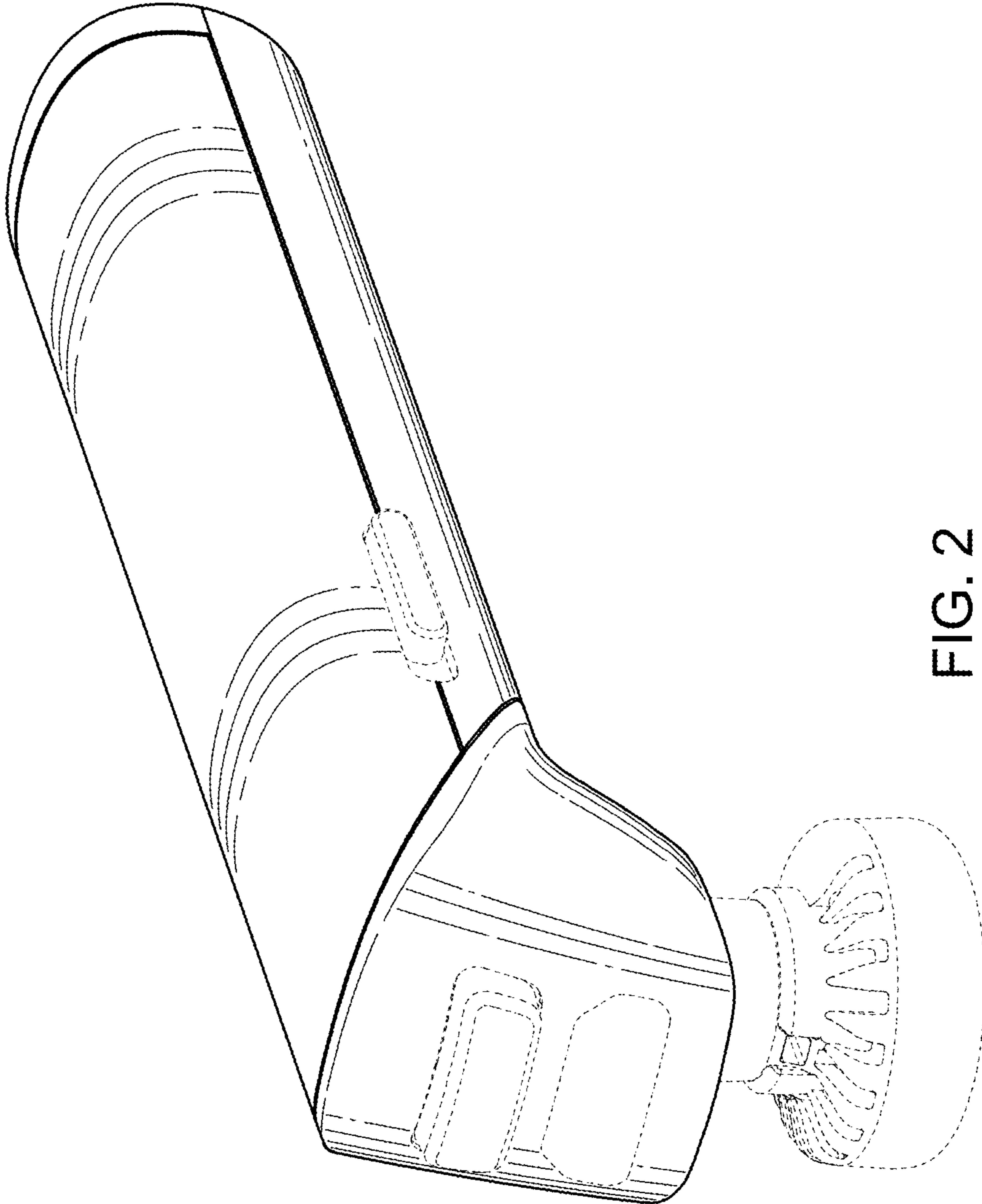


FIG. 2

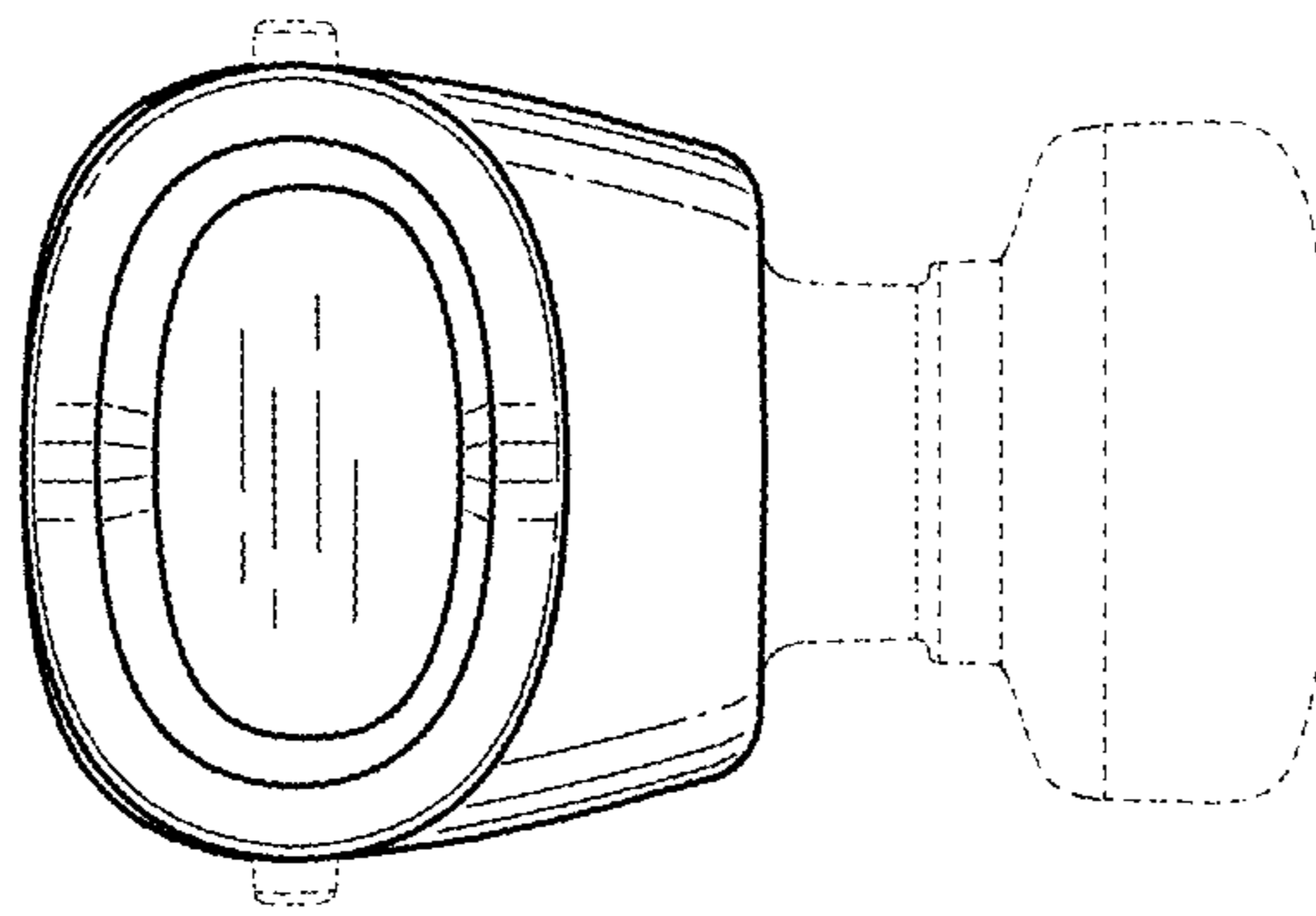


FIG. 3

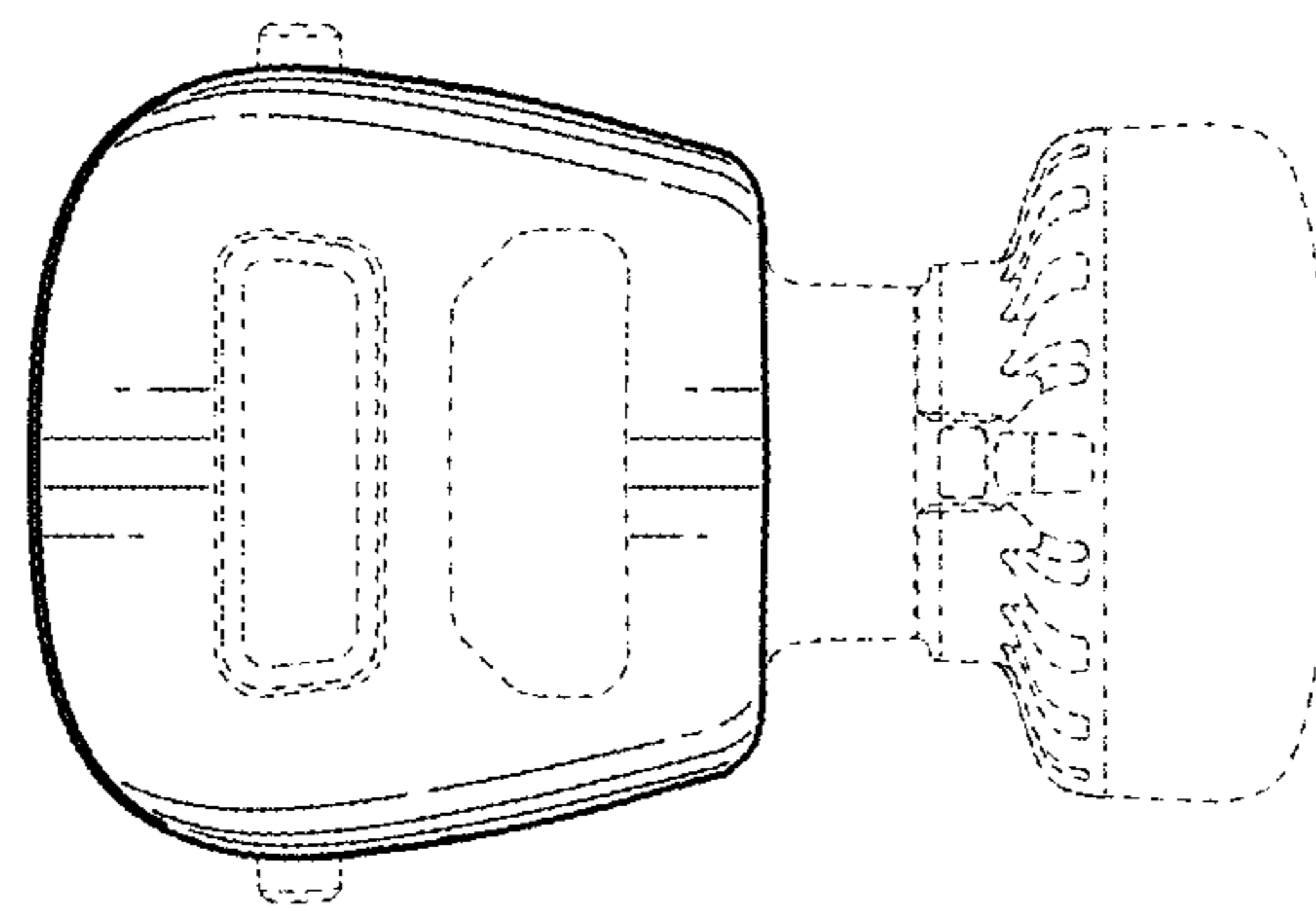


FIG. 4

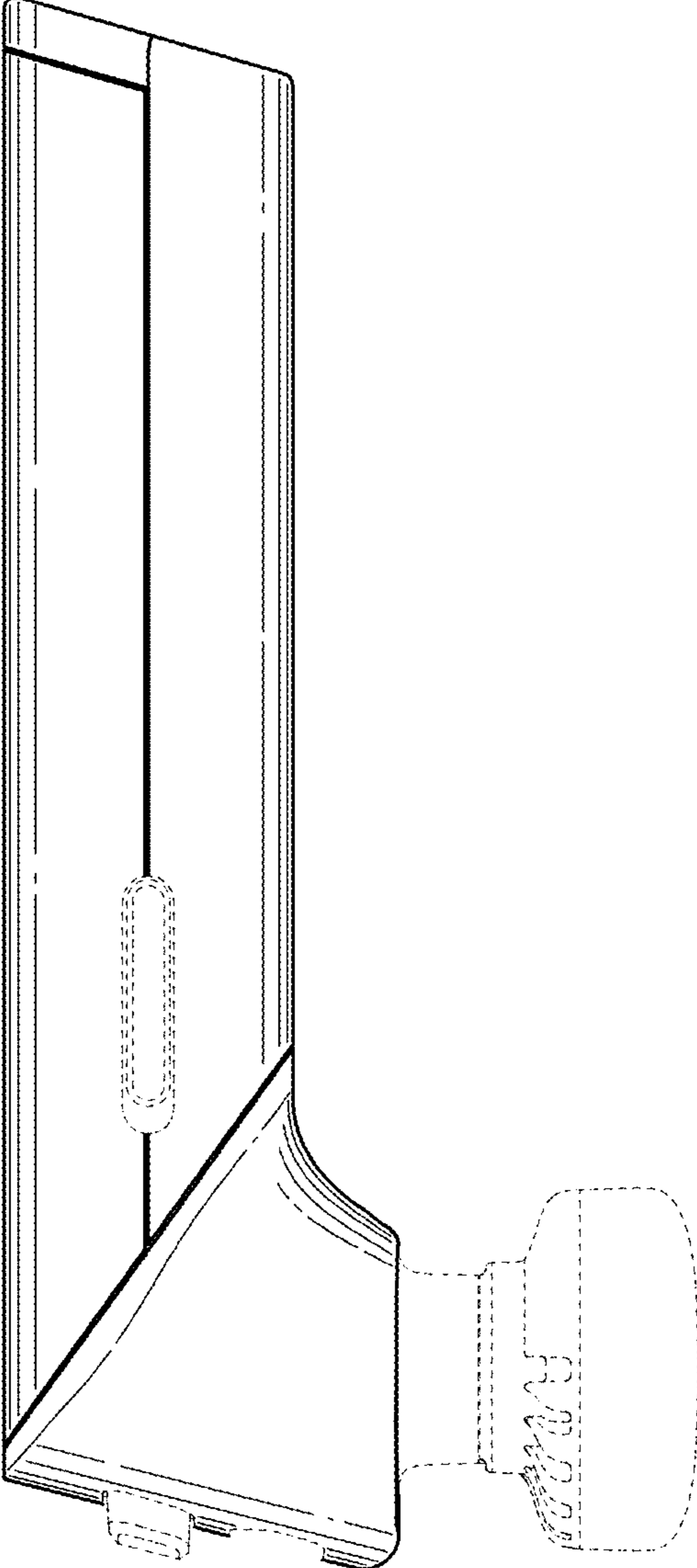


FIG. 5

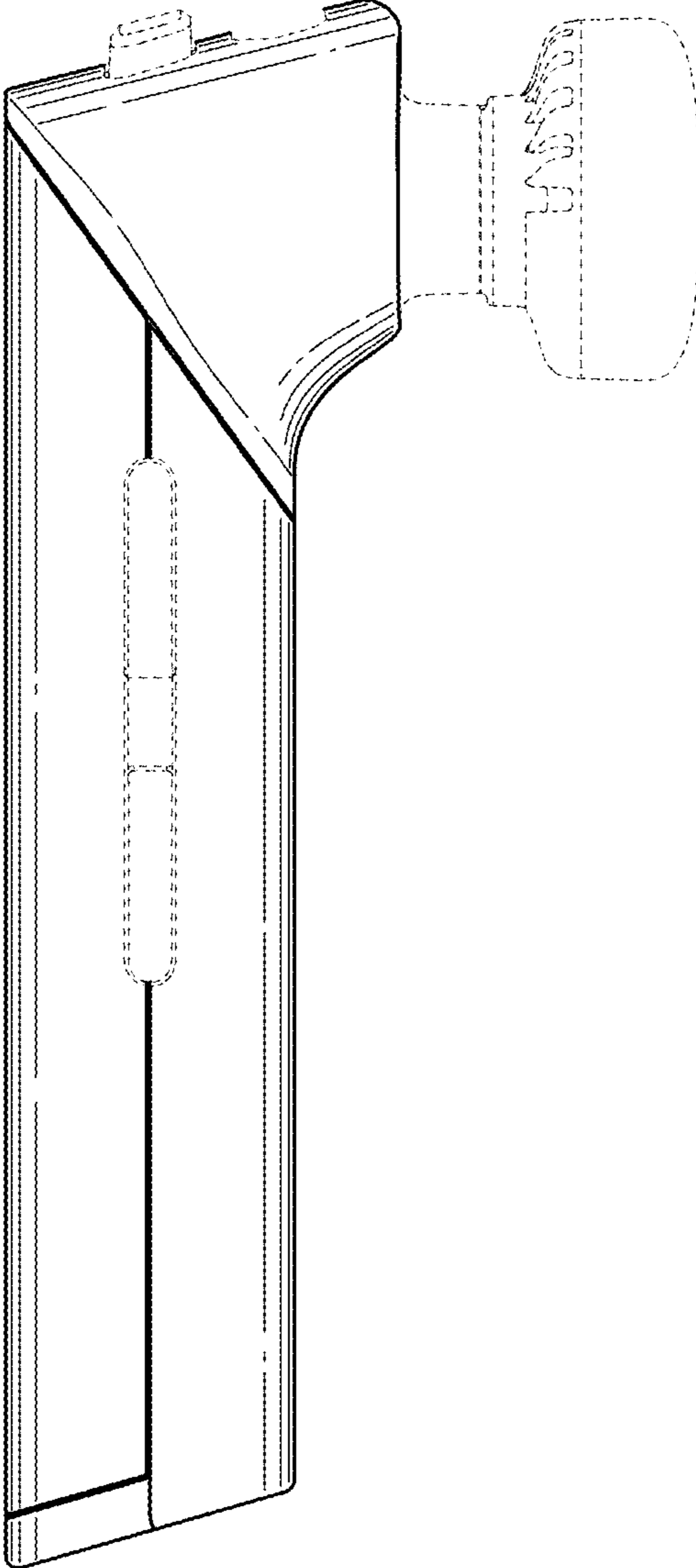


FIG. 6

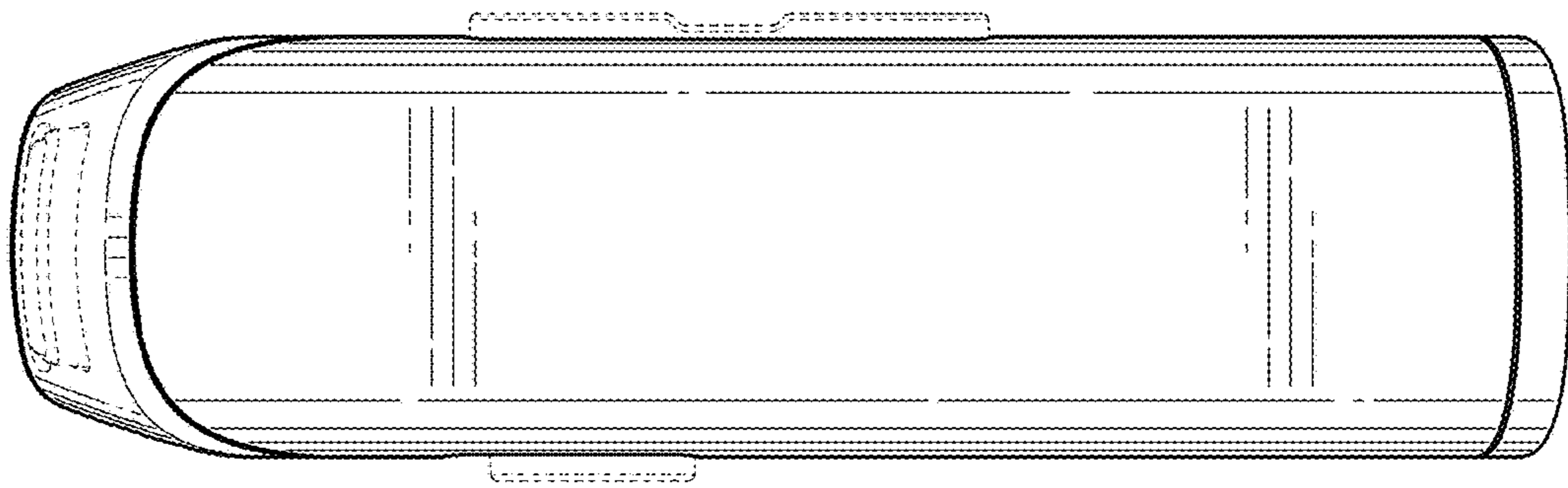


FIG. 7

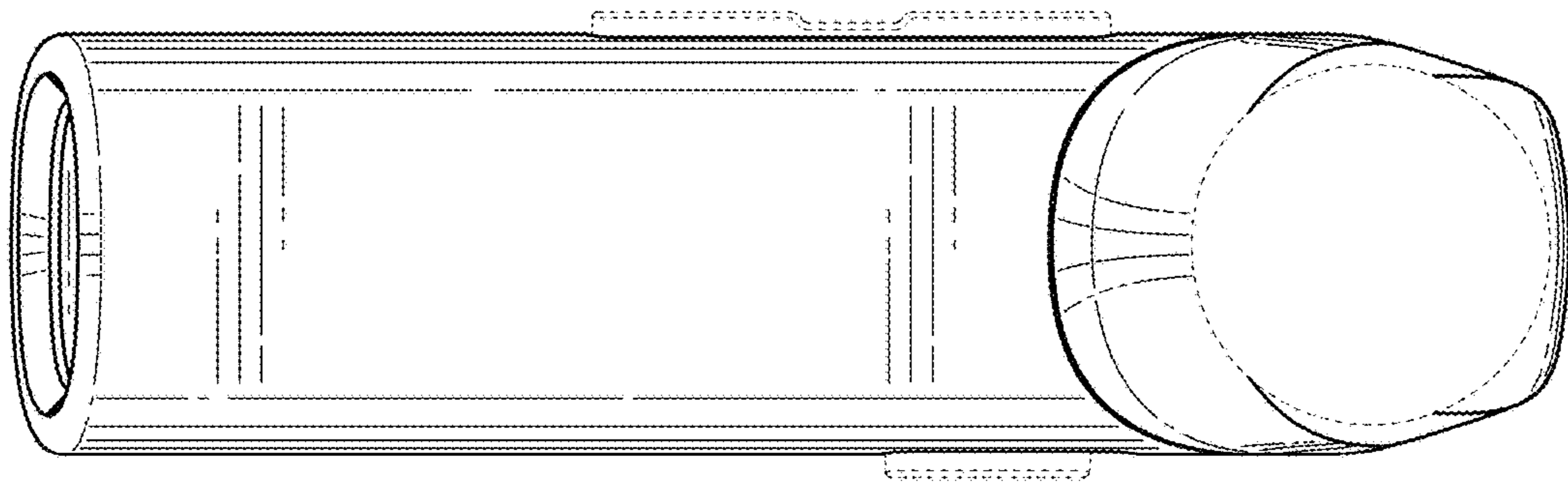


FIG. 8

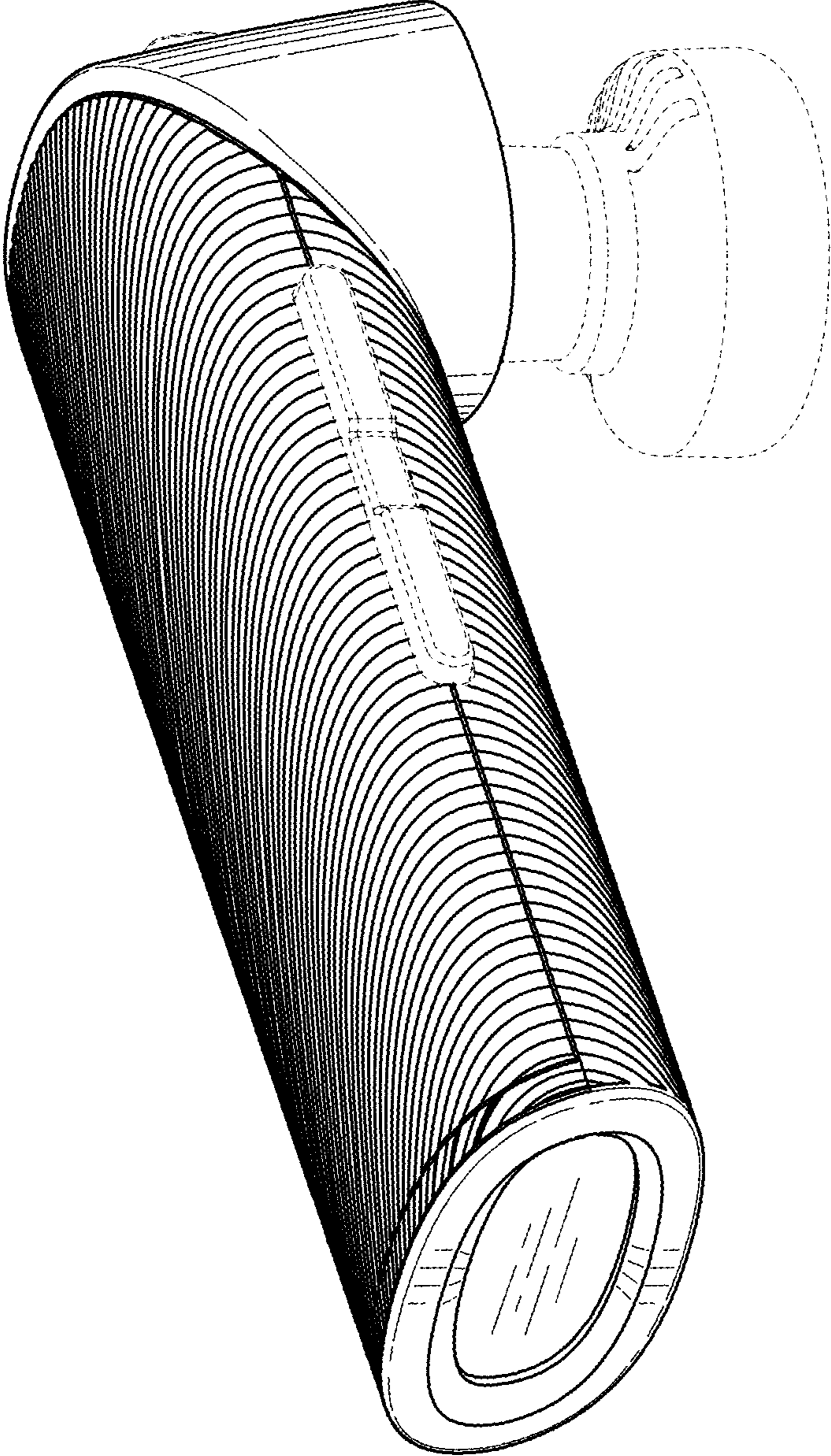


FIG. 9

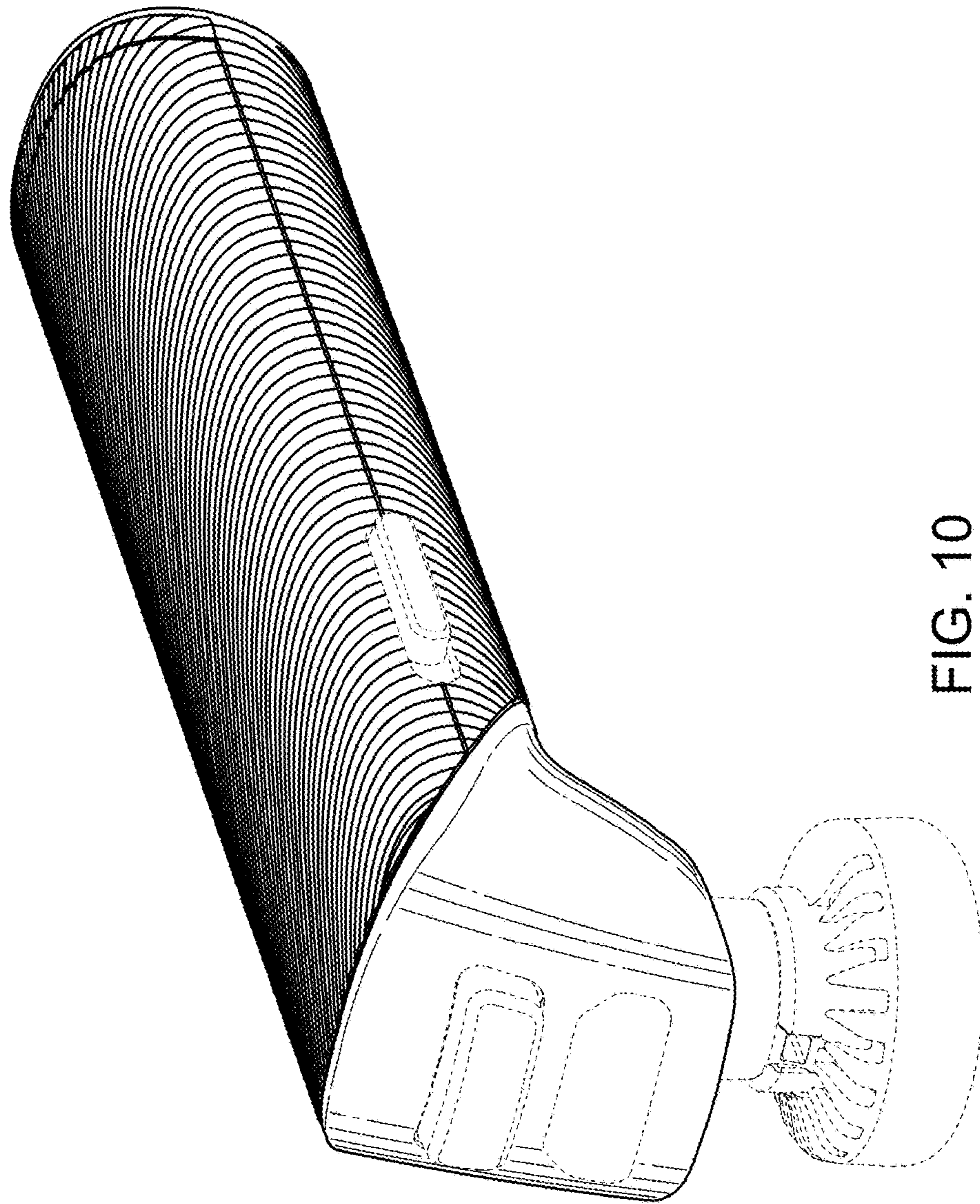


FIG. 10

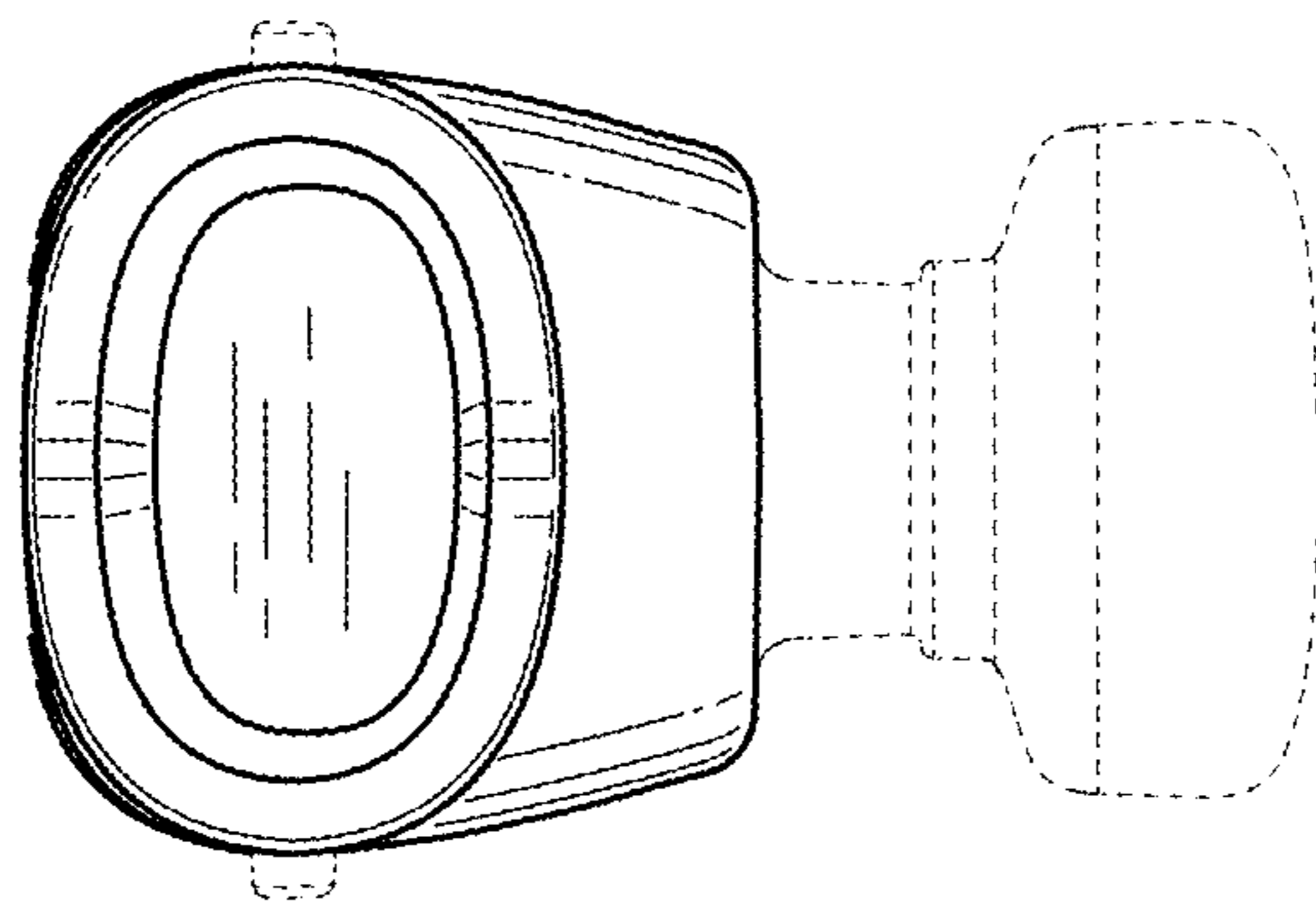


FIG. 11

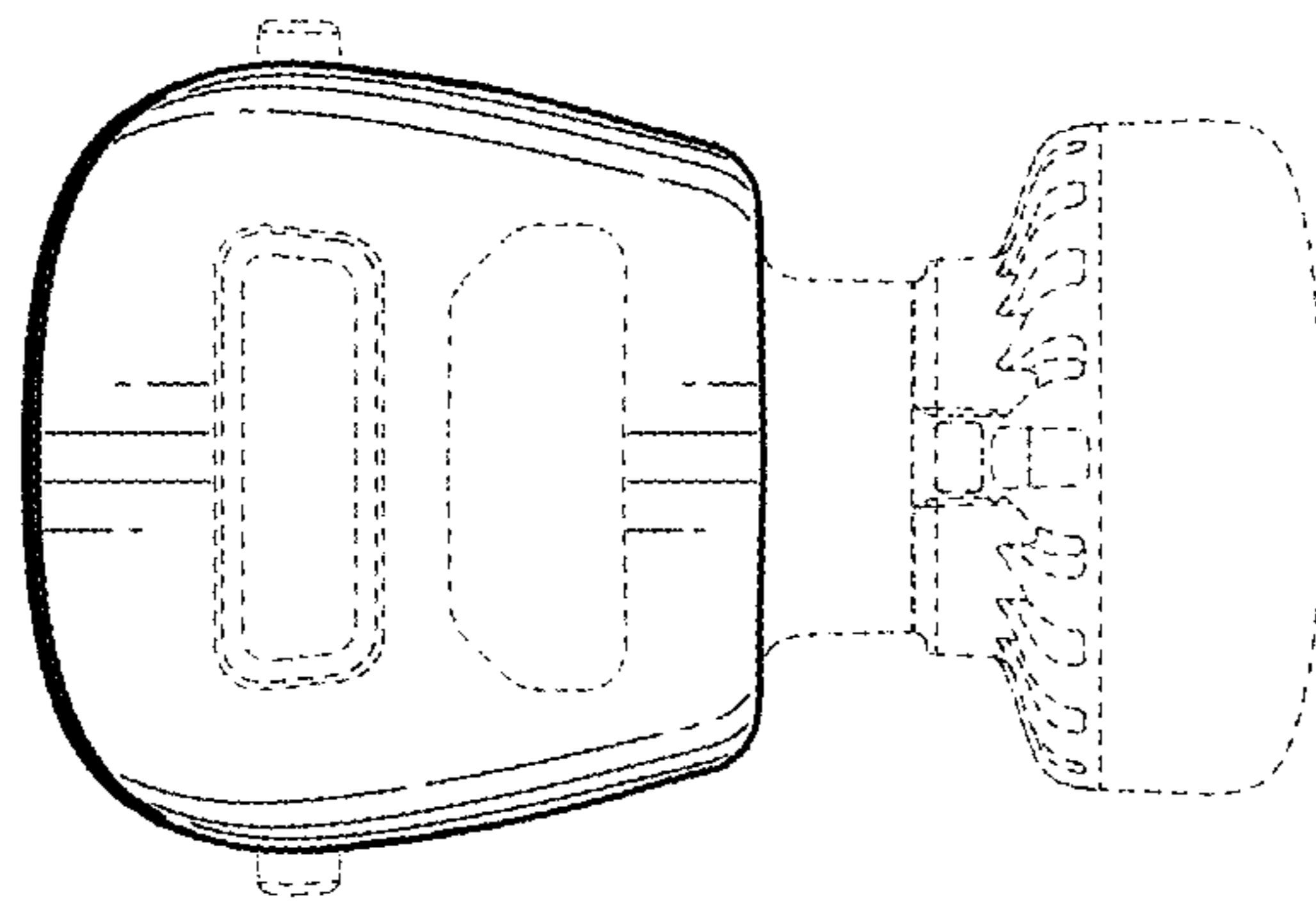


FIG. 12

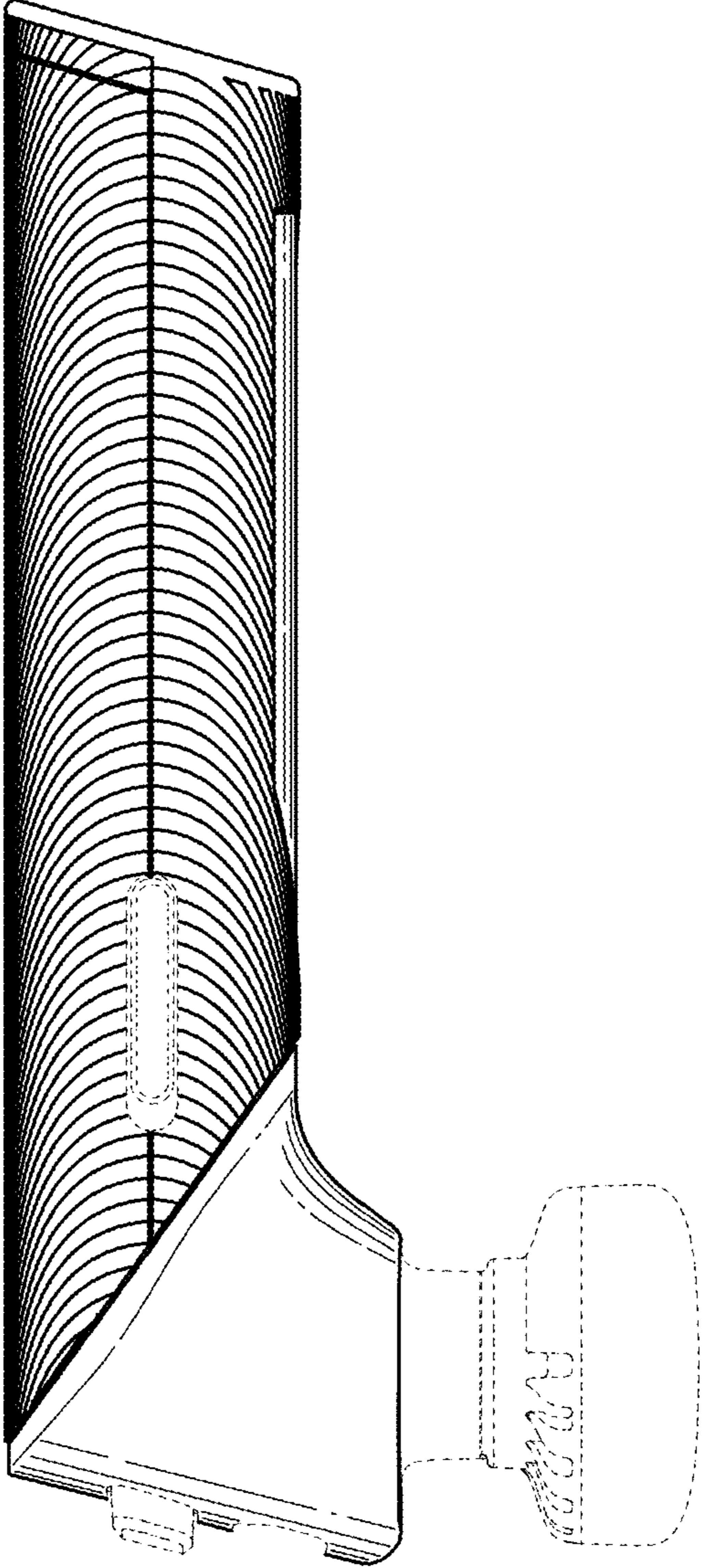


FIG. 13

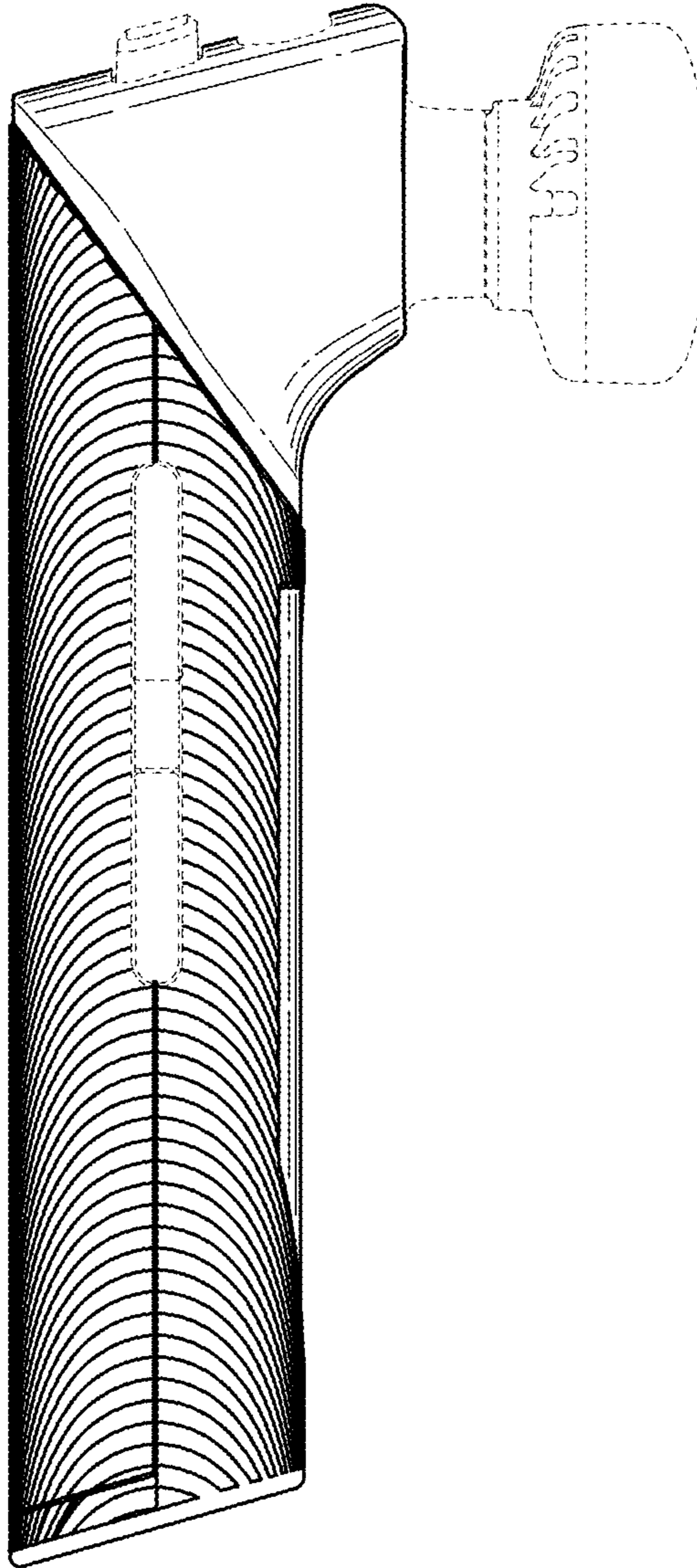


FIG. 14

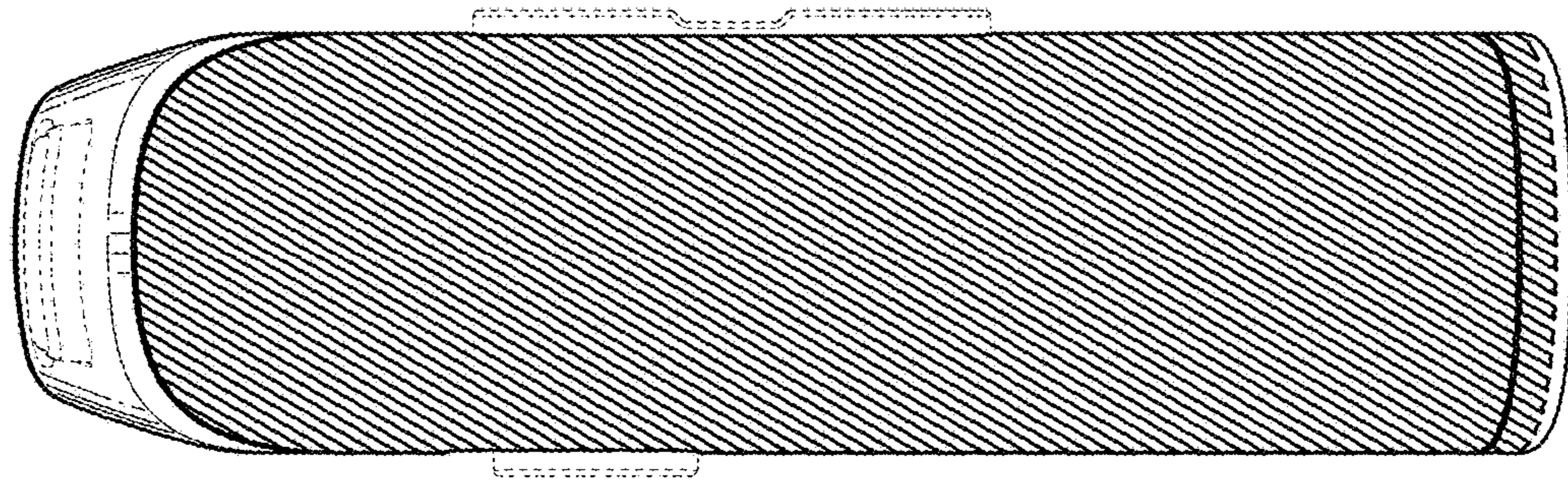


FIG. 15

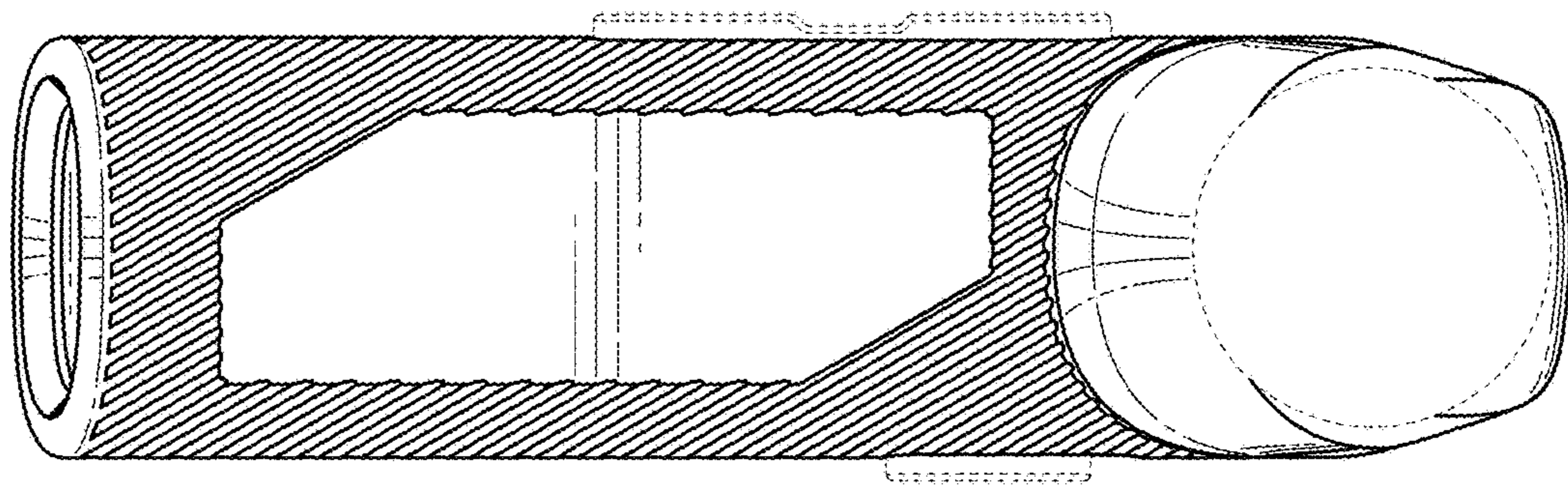


FIG. 16

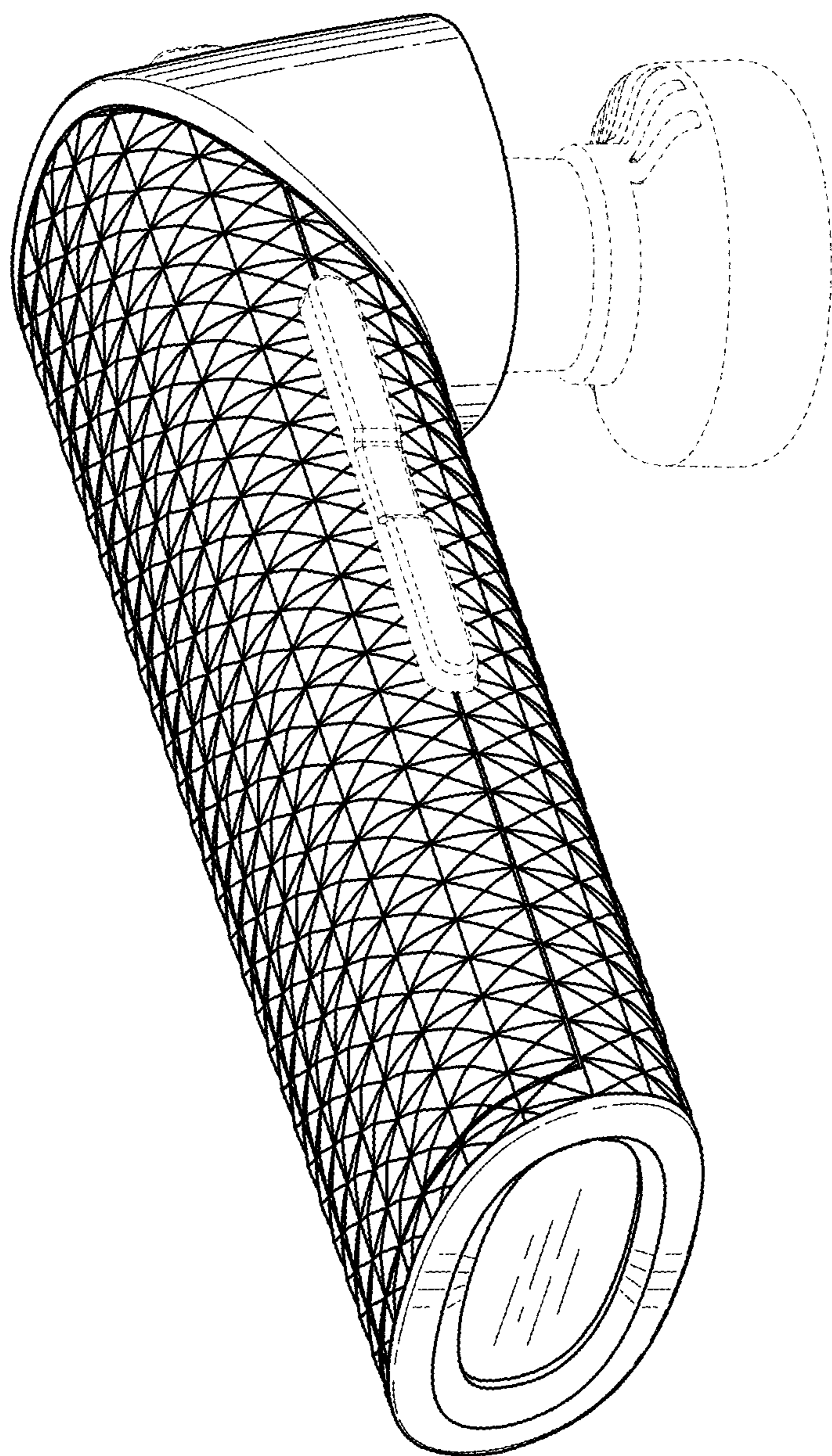


FIG. 17

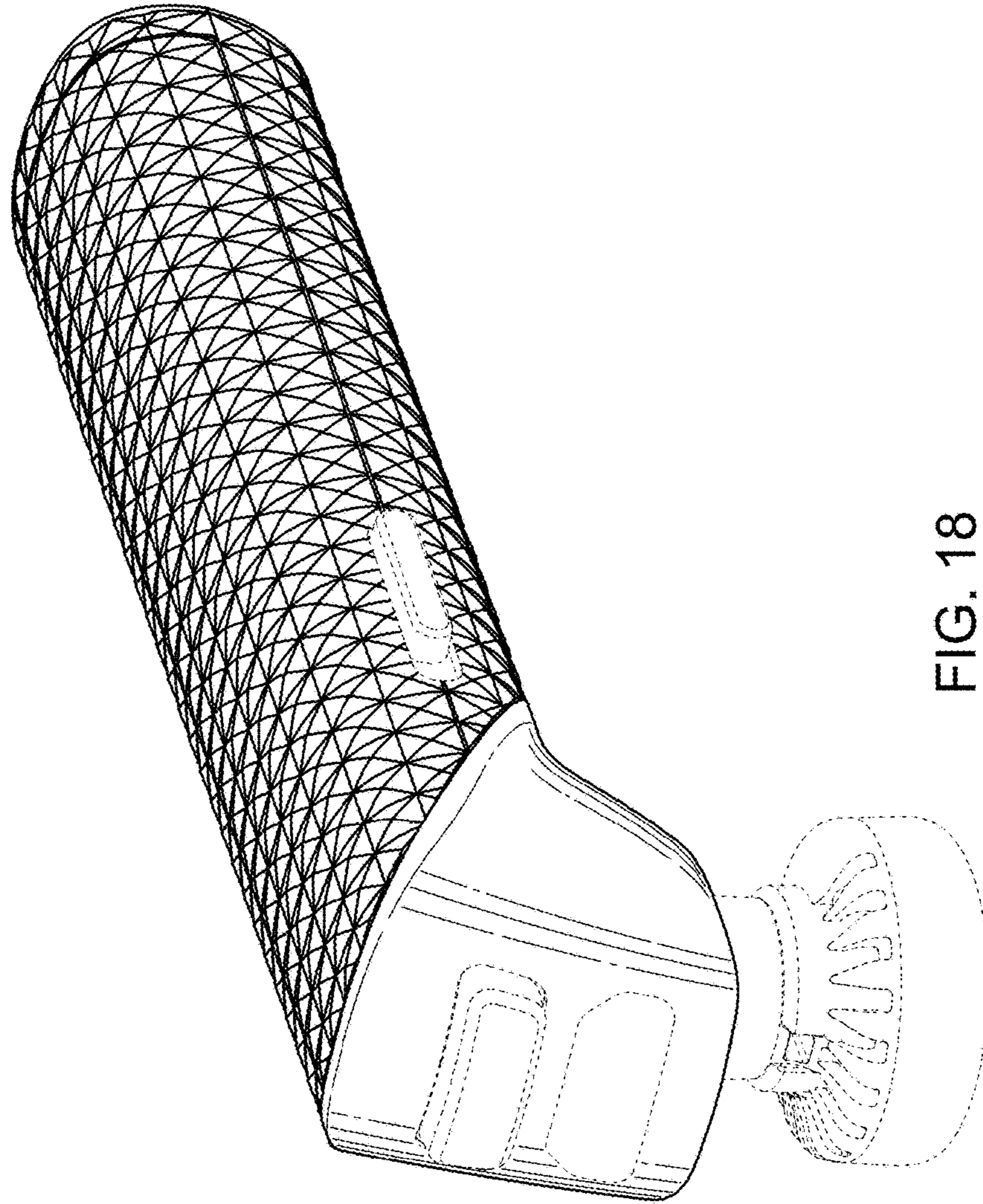


FIG. 18

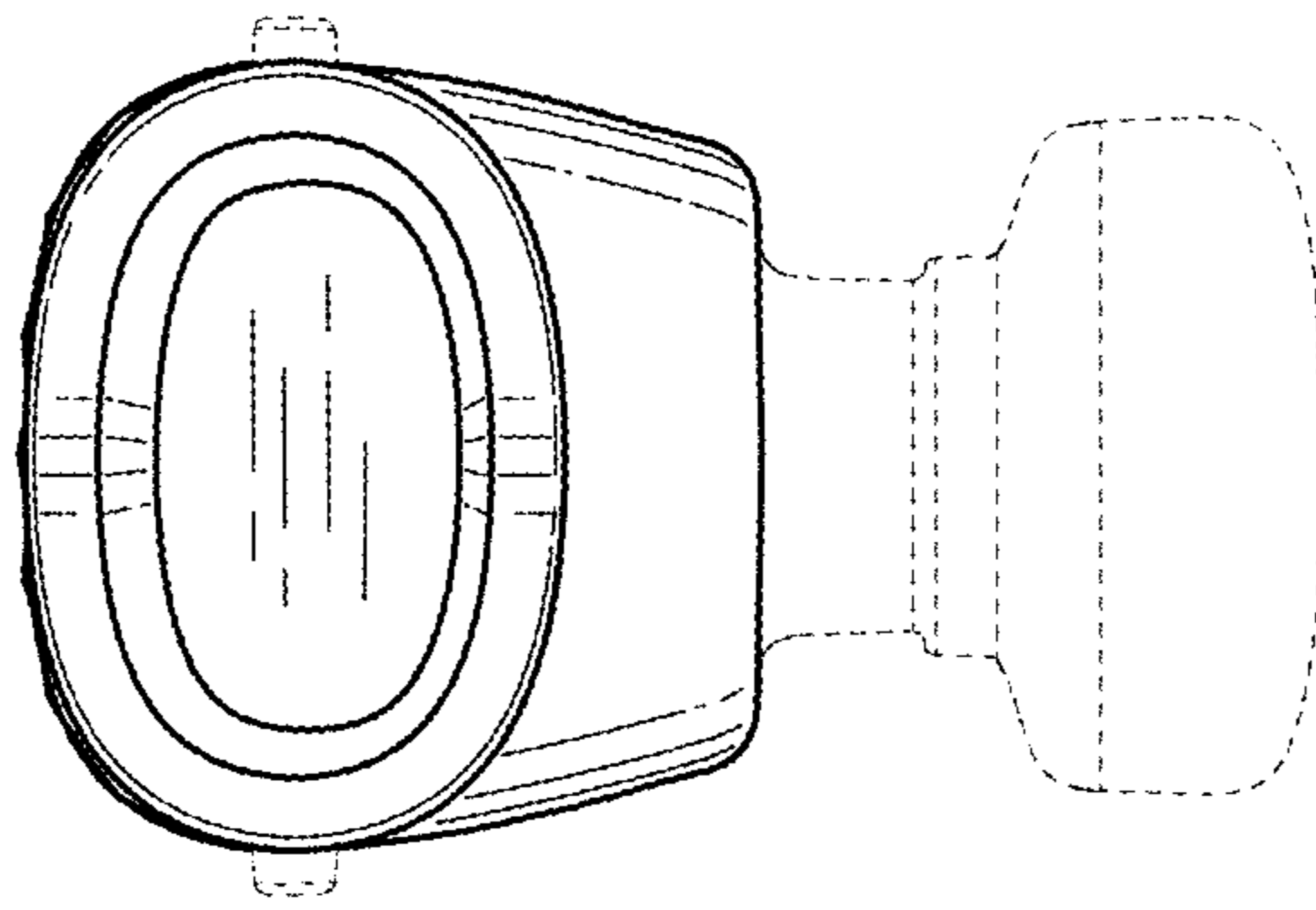


FIG. 19

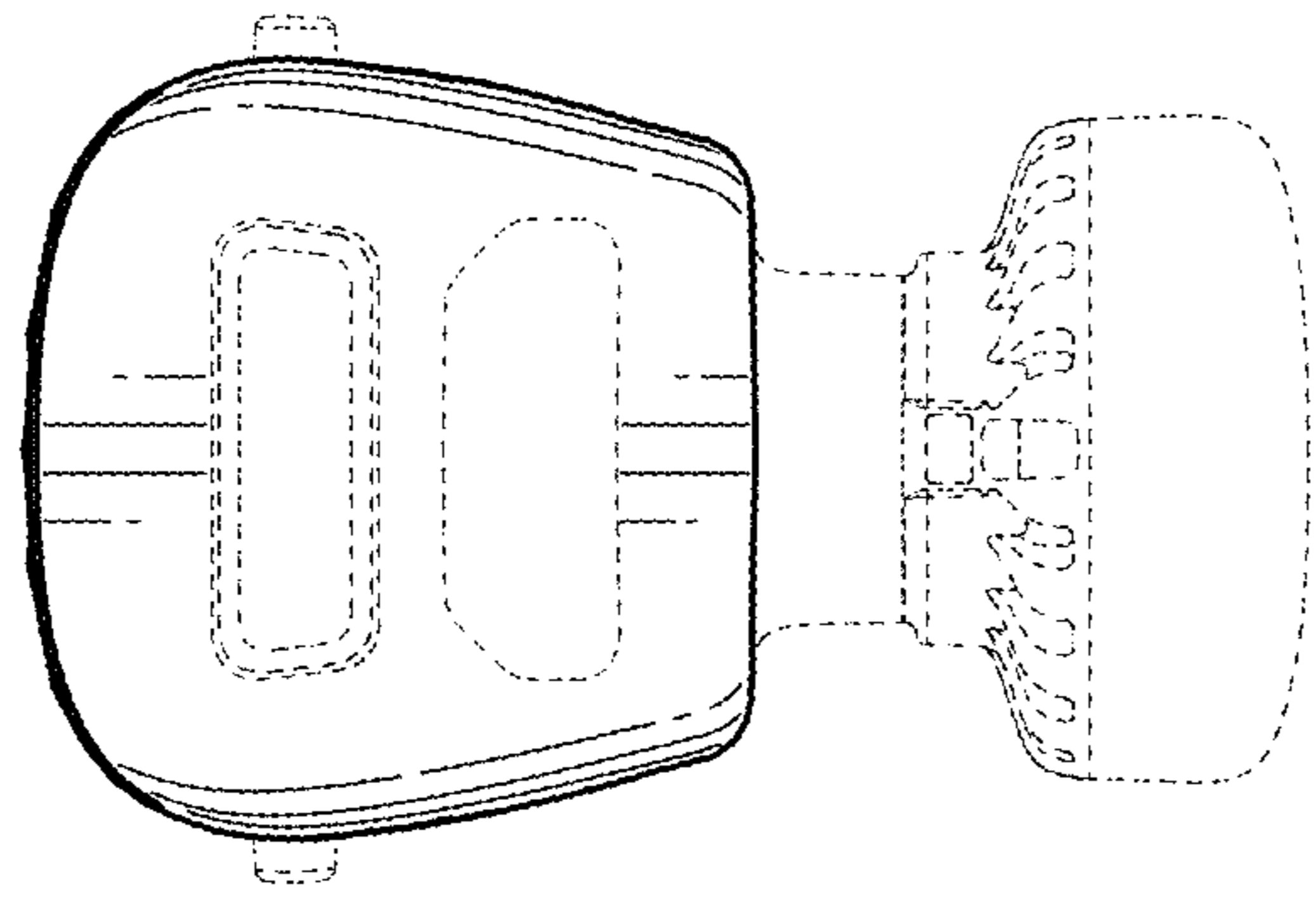


FIG. 20

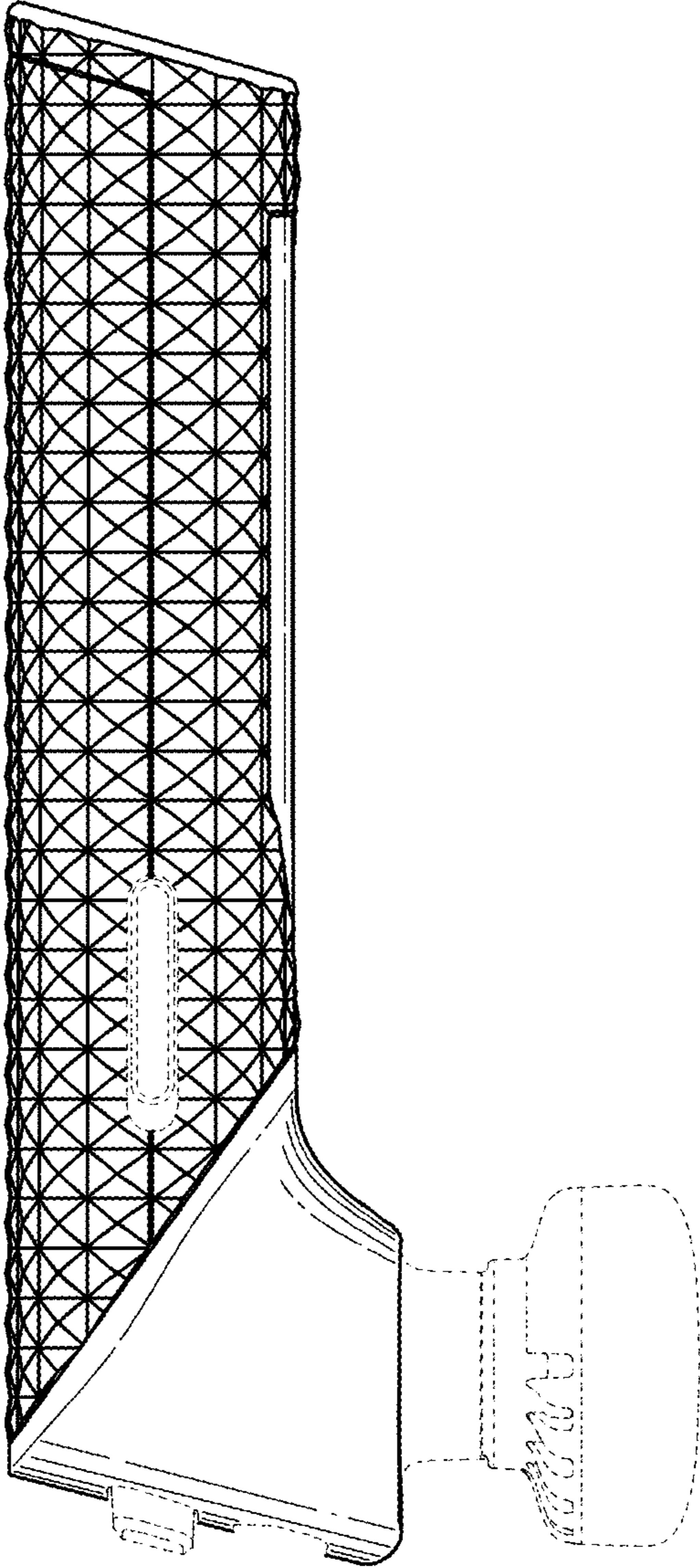


FIG. 21

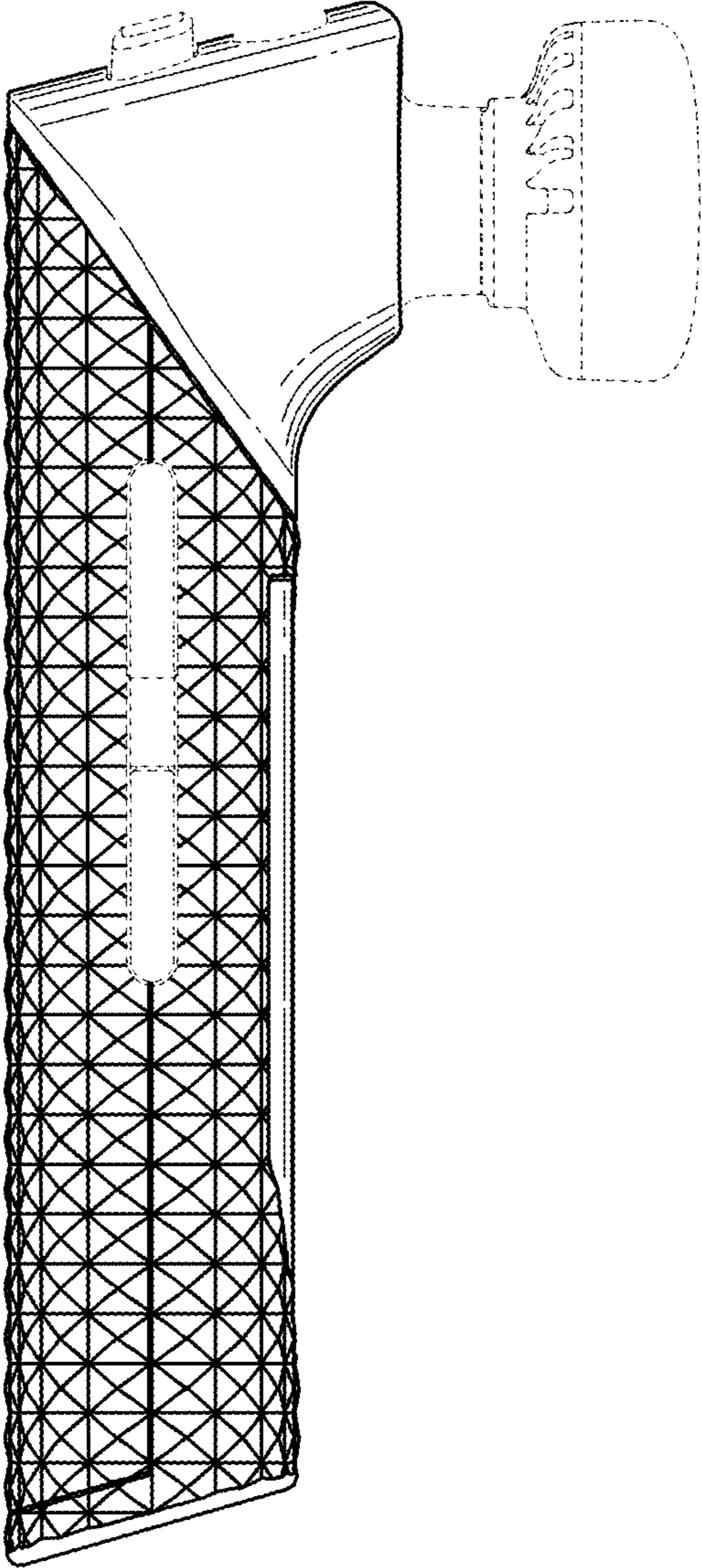


FIG. 22

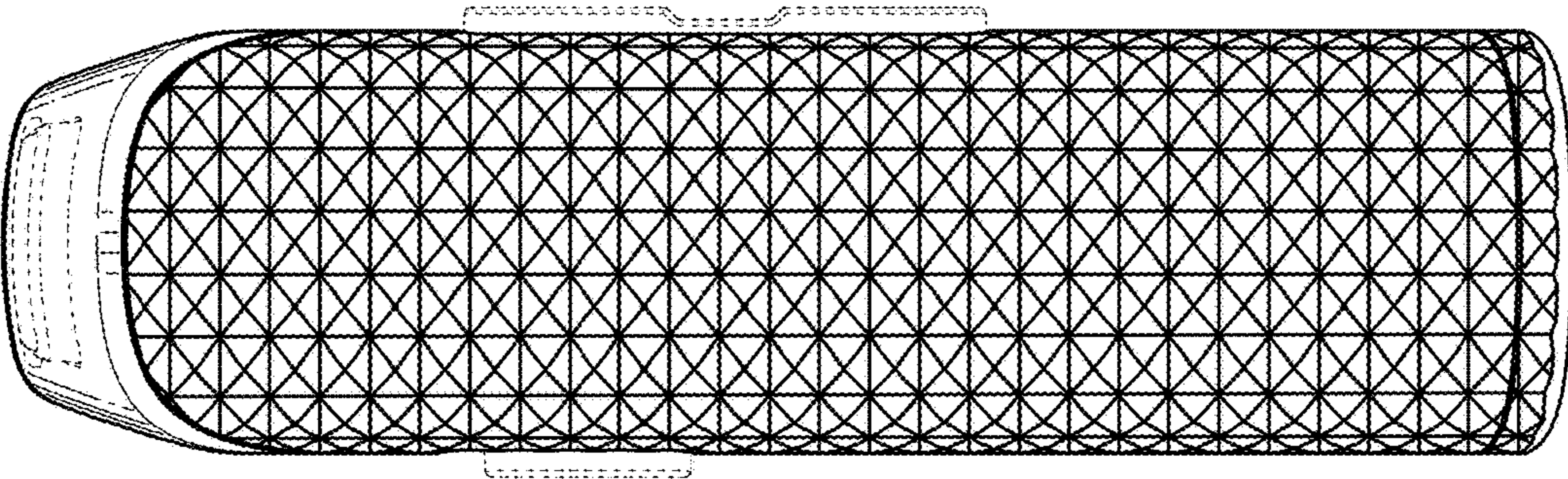


FIG. 23

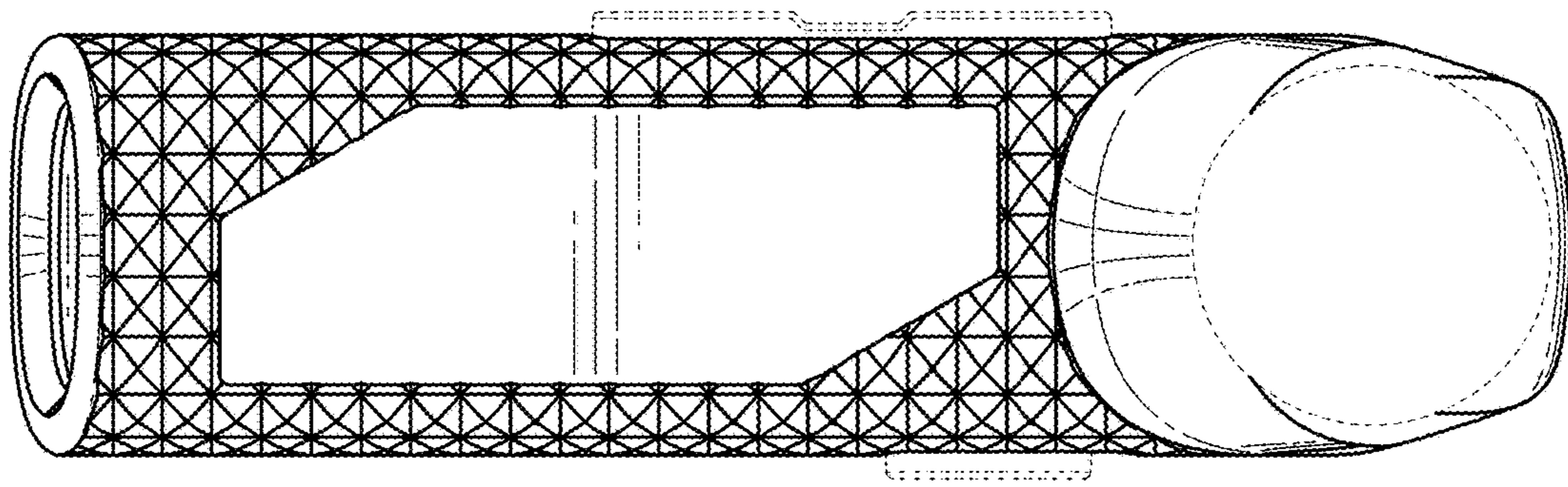


FIG. 24