



US00D795222S

(12) **United States Design Patent** (10) **Patent No.:** **US D795,222 S**
Yoon et al. (45) **Date of Patent:** **** Aug. 22, 2017**

(54) **REMOTE CONTROL**
(71) Applicant: **Samsung Electronics Co., Ltd.**,
Suwon-si (KR)
(72) Inventors: **Sang-Hun Yoon**, Seoul (KR);
Dong-Hyuk Uim, Seoul (KR)
(73) Assignee: **Samsung Electronics Co., Ltd.**,
Suwon-si (KR)

D668,243 S * 10/2012 Aquillano D14/218
D695,272 S * 12/2013 Hansen D14/218
D710,331 S * 8/2014 Yuyama D14/218
D722,046 S * 2/2015 Kuh D14/218
D728,529 S * 5/2015 Seflic D14/218
D749,547 S * 2/2016 Chandel D14/218
D760,198 S * 6/2016 Kim D14/218
D760,199 S * 6/2016 Bu D14/218
D760,200 S * 6/2016 Bu D14/218
D763,830 S * 8/2016 Jones D14/218
D774,493 S * 12/2016 Wong D14/218
D776,640 S * 1/2017 Simonian D14/218

(**) Term: **15 Years**

FOREIGN PATENT DOCUMENTS

(21) Appl. No.: **29/568,385**

CN 303841722 * 9/2016

(22) Filed: **Jun. 17, 2016**

* cited by examiner

(30) **Foreign Application Priority Data**

Primary Examiner — John Windmuller

Assistant Examiner — John R Yeh

Dec. 22, 2015 (KR) 30-2015-0065637

(74) *Attorney, Agent, or Firm* — NSIP Law

(51) **LOC (10) Cl.** **14-03**

(57) **CLAIM**

(52) **U.S. Cl.**
USPC **D14/218**

We claim the ornamental design for a remote control, as shown and described.

(58) **Field of Classification Search**
USPC D14/218; D13/168
See application file for complete search history.

DESCRIPTION

(56) **References Cited**

FIG. 1 is a front perspective view of a remote control showing our new design;
FIG. 2 is a front view thereof;
FIG. 3 is a rear view thereof;
FIG. 4 is a left-side view thereof;
FIG. 5 is a right-side view thereof;
FIG. 6 is a top view thereof;
FIG. 7 is a bottom view thereof; and,
FIG. 8 is a bottom perspective view thereof.
The broken lines represent portions of the remote control that form no part of the claimed design.

U.S. PATENT DOCUMENTS

D405,796 S * 2/1999 Uehara D14/218
D447,742 S * 9/2001 Cornille D14/218
D531,136 S * 10/2006 Schoenert D13/168
D544,467 S * 6/2007 Tsuge D14/218
D549,185 S * 8/2007 Tan D13/168
D561,178 S * 2/2008 Azuma D14/218
D586,301 S * 2/2009 Corsini D13/168
D605,180 S * 12/2009 Rudolph D14/218
D631,036 S * 1/2011 Daniels D14/218
D663,288 S * 7/2012 Aquillano D14/218

1 Claim, 6 Drawing Sheets

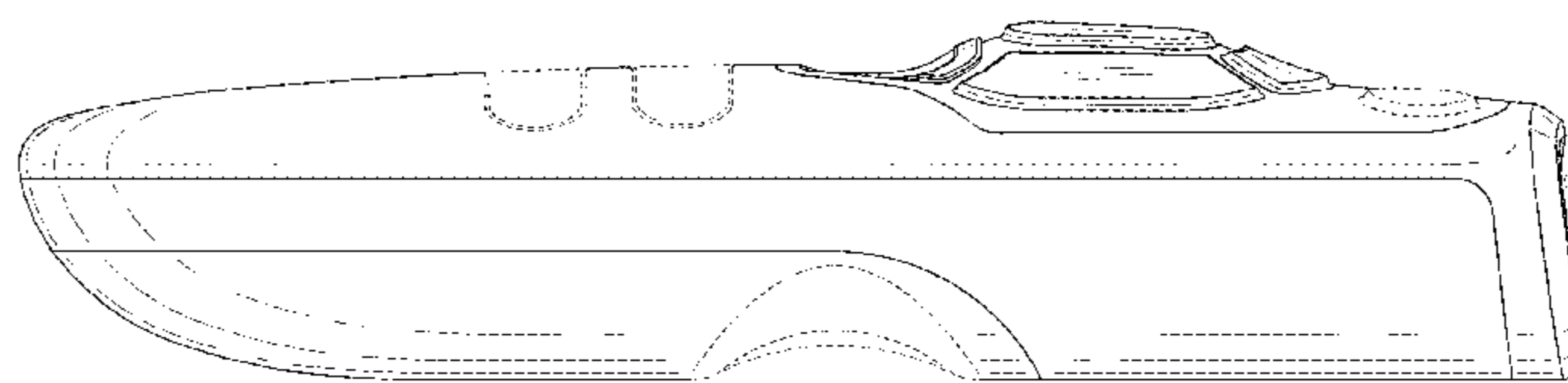
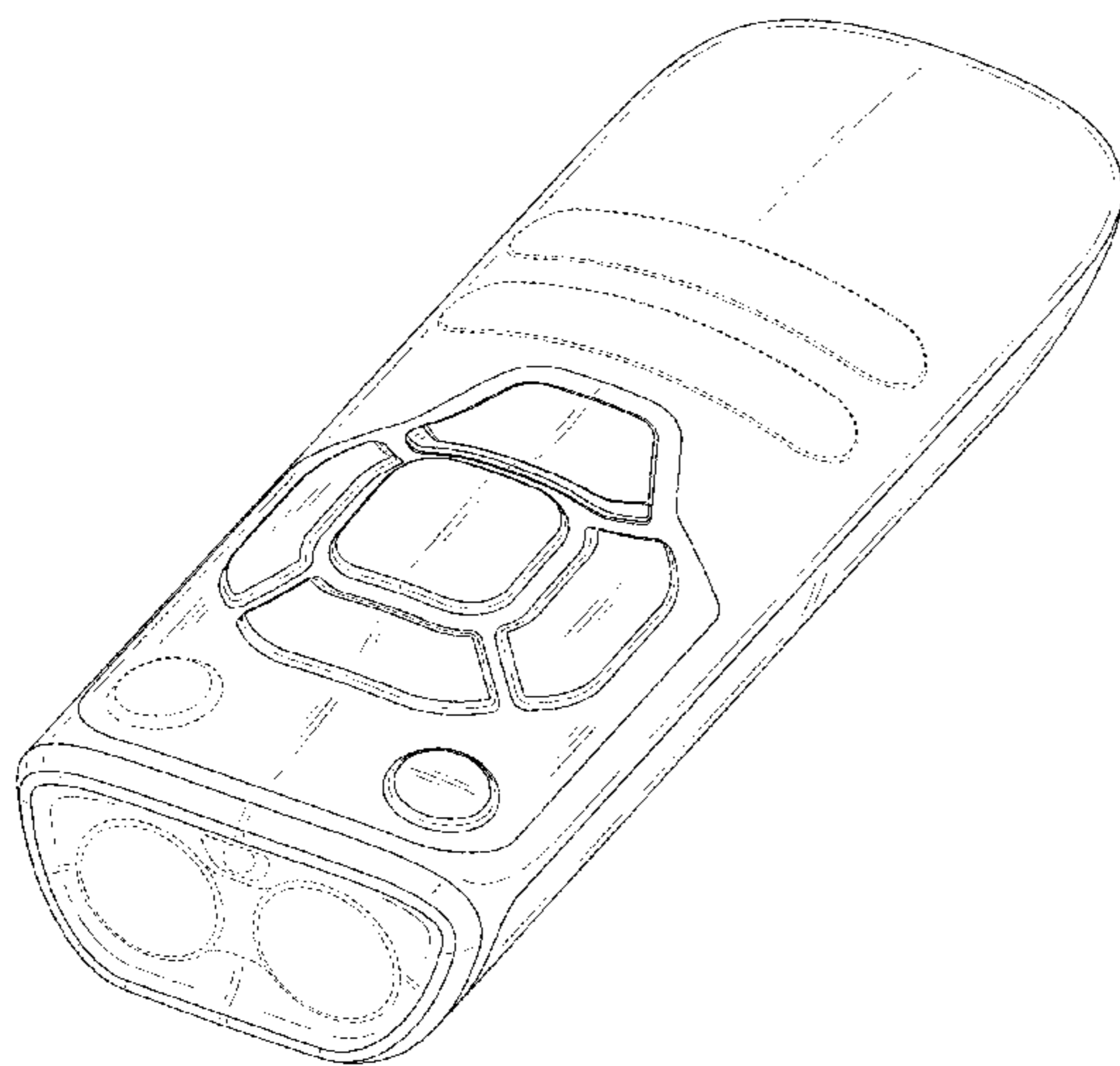


FIG. 1

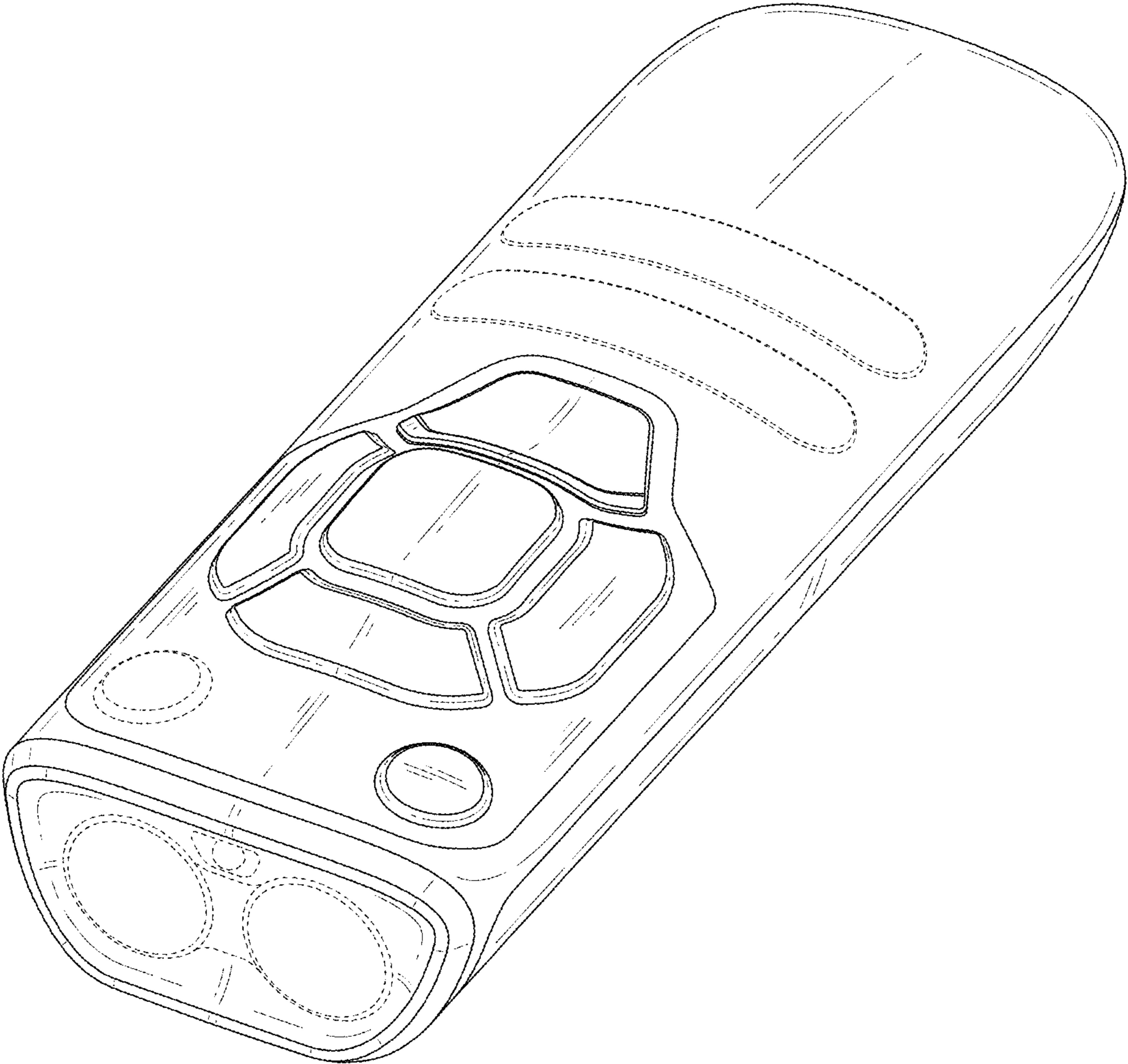


FIG. 2

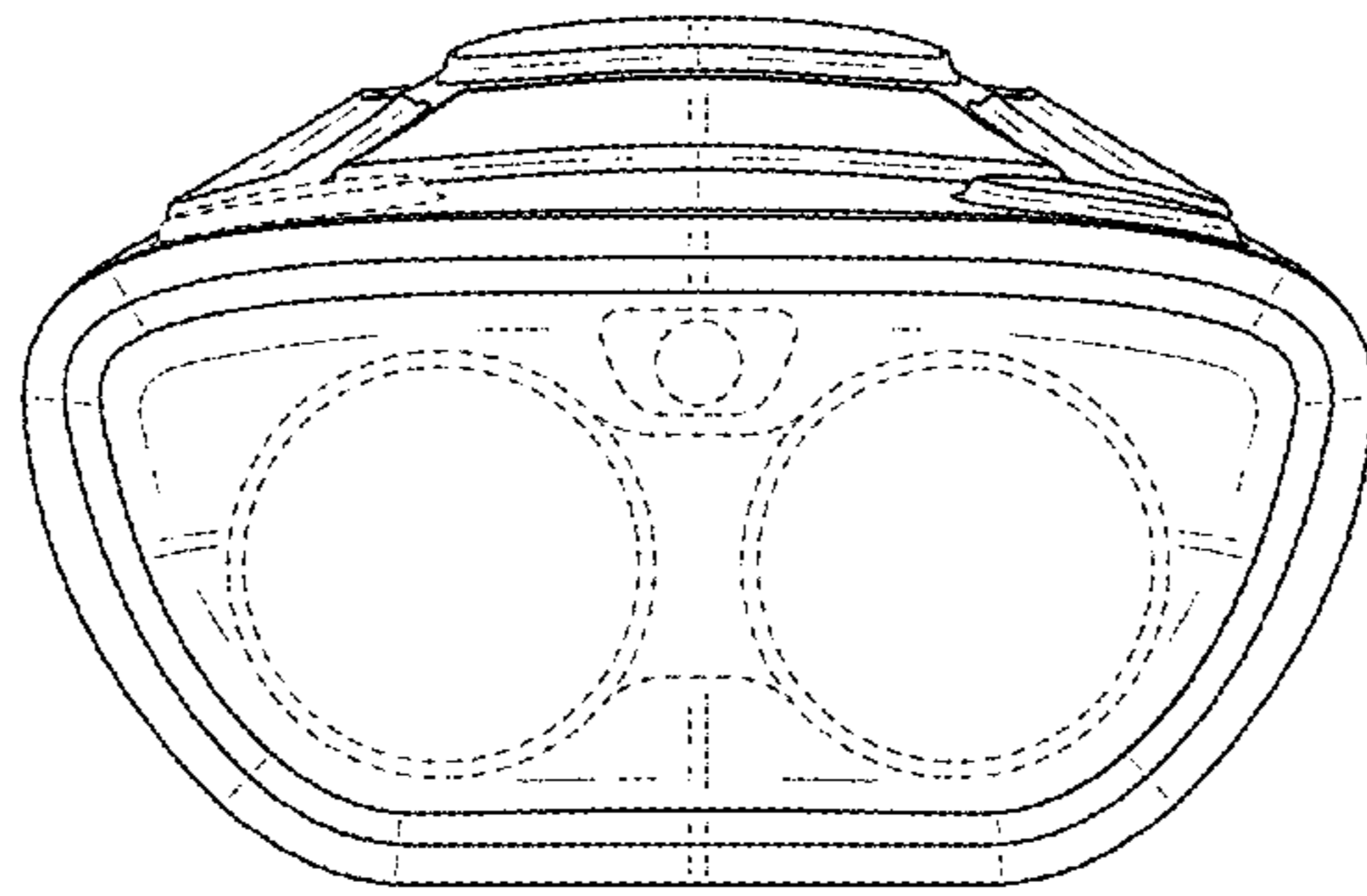


FIG. 3

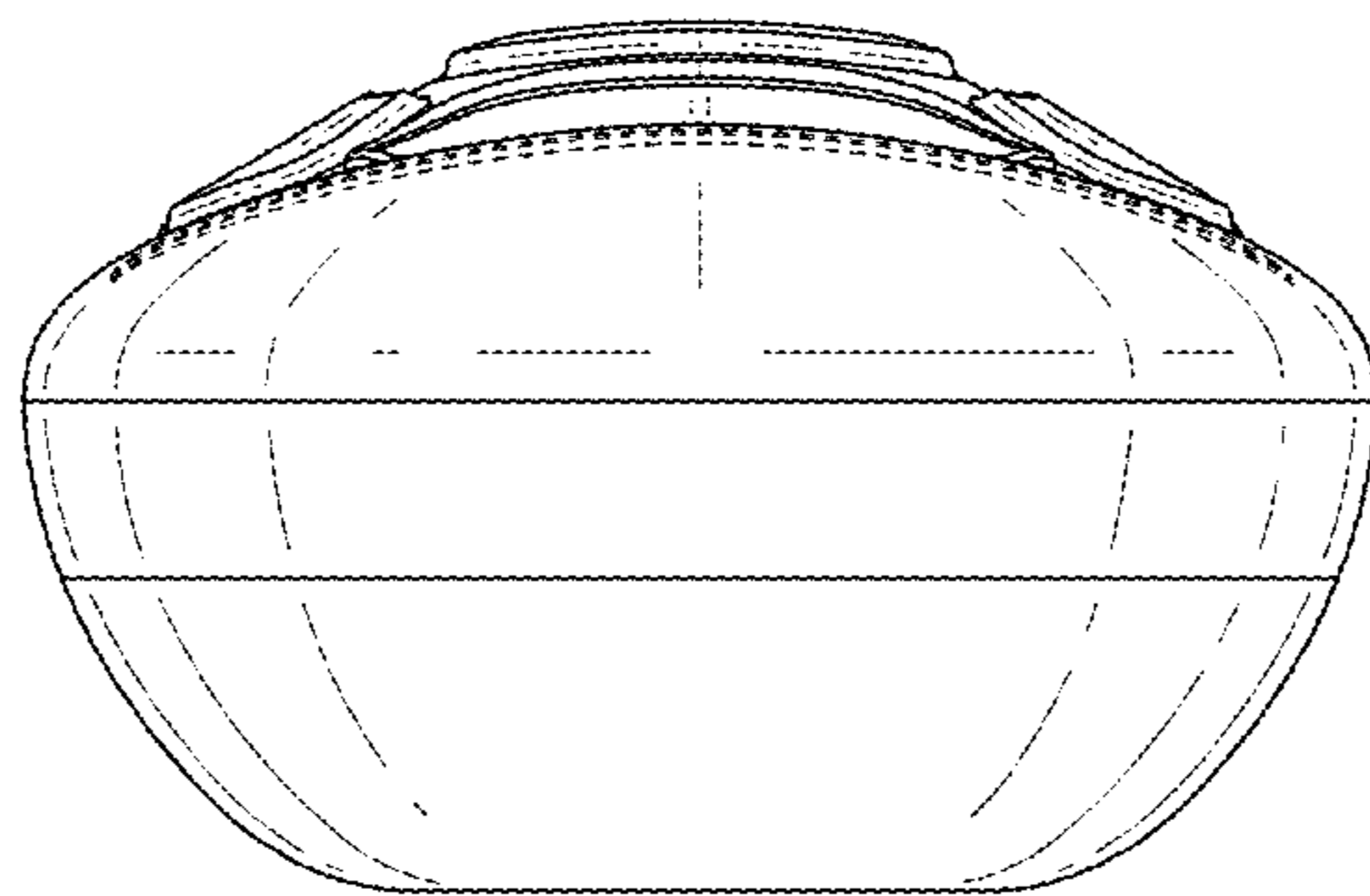


FIG. 4

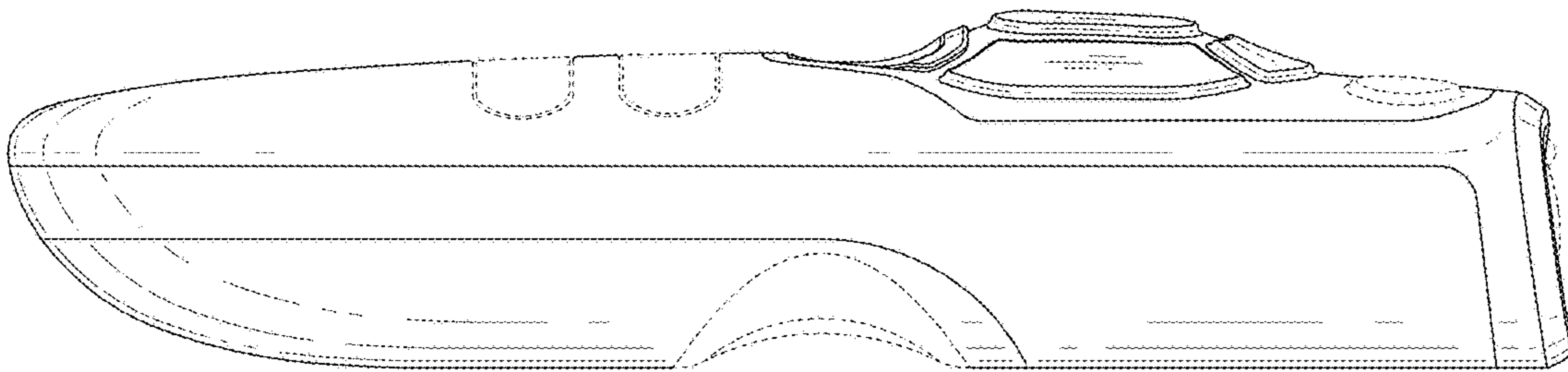


FIG. 5

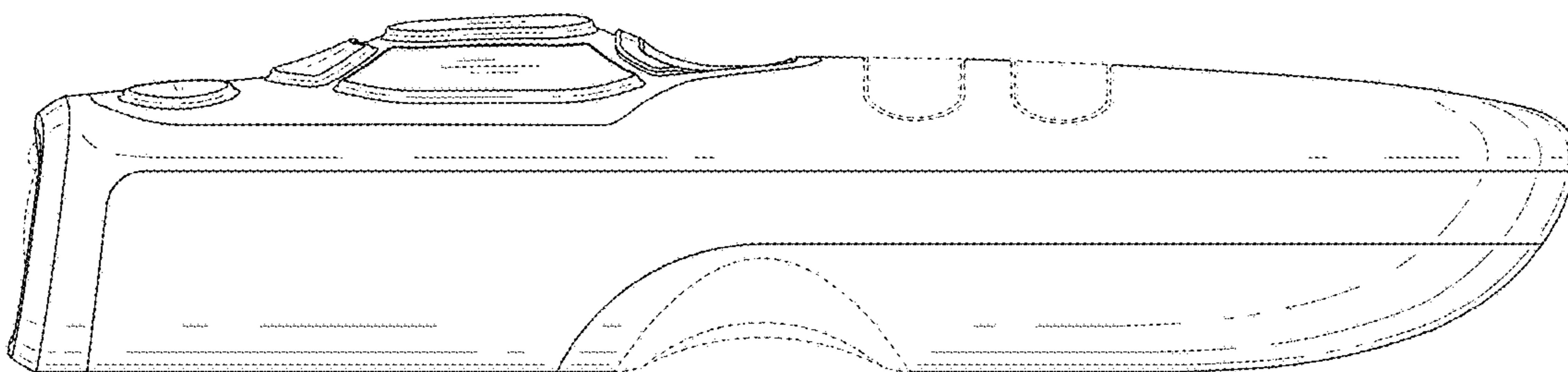


FIG. 6

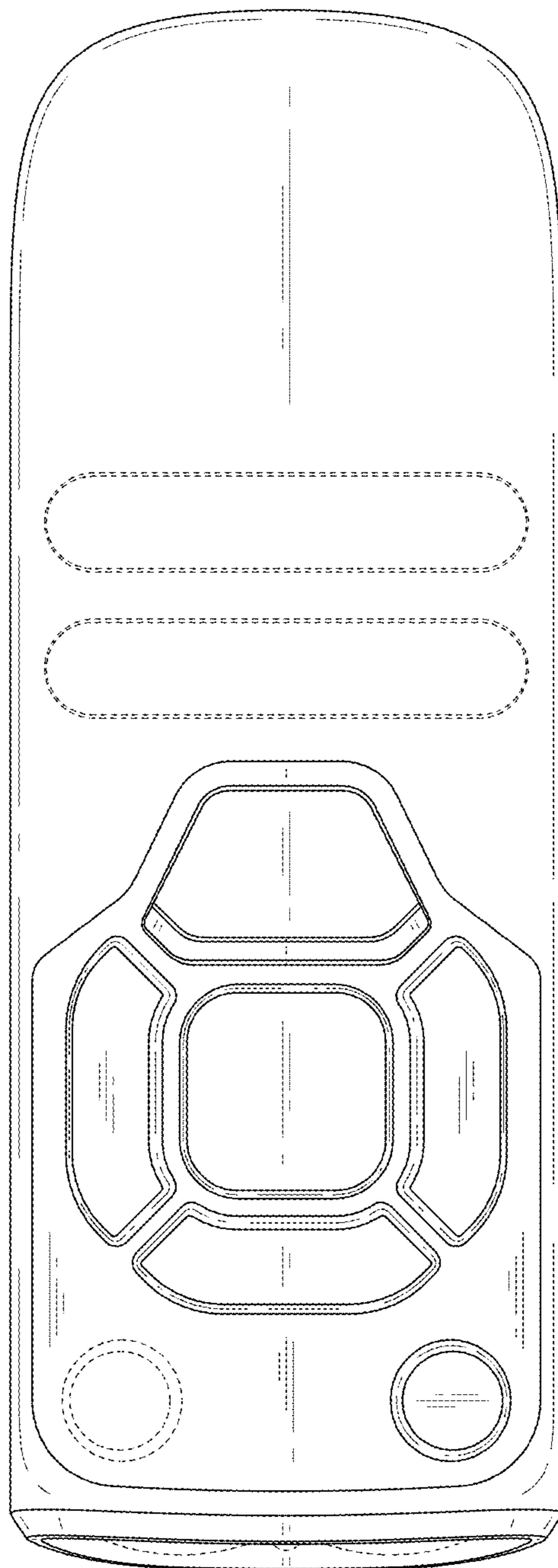


FIG. 7

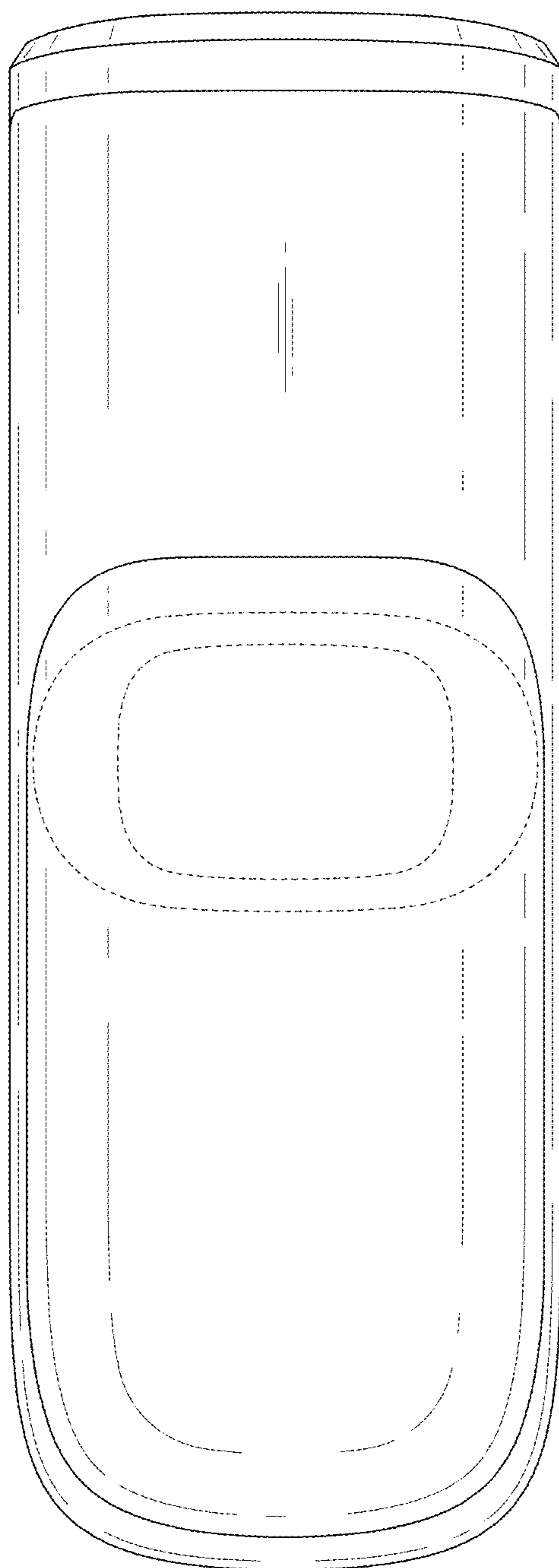


FIG. 8

