



US00D795221S

(12) **United States Design Patent**  
**Campbell**

(10) **Patent No.:** **US D795,221 S**

(45) **Date of Patent:** **\*\* Aug. 22, 2017**

(54) **REMOTE CONTROL**

FOREIGN PATENT DOCUMENTS

(71) Applicant: **Griffin Technology, LLC**, Irvine, CA (US)

EM 000427604-0001 \* 1/2006

(72) Inventor: **George Andrew Campbell**, Palo Alto, CA (US)

OTHER PUBLICATIONS

(73) Assignee: **Griffin Technology, LLC**, Irvine, CA (US)

Amazon.com: Griffin Apple TV (4th gen) Remote Case, oldest review Jan. 8, 2016, [https://www.amazon.com/Griffin-Apple-Remote-Easy-grip/dp/B018XFCGC8/ref=cm\\_cr\\_arp\\_d\\_product\\_top?ie=UTF8](https://www.amazon.com/Griffin-Apple-Remote-Easy-grip/dp/B018XFCGC8/ref=cm_cr_arp_d_product_top?ie=UTF8), [site visited Mar. 28, 2017 9:04:59 PM].\*

(\*\*) Term: **15 Years**

Survivor Play for Siri Remote by Griffin, reviews 2016, <https://griffintechnology.com/us/products/cases/rugged-cases-covers/survivor-play-for-siri-...> site visited Mar. 28, 2017.\*

(21) Appl. No.: **29/567,938**

\* cited by examiner

(22) Filed: **Jun. 14, 2016**

(51) **LOC (10) Cl.** ..... **14-03**

(52) **U.S. Cl.**  
USPC ..... **D14/218**

(58) **Field of Classification Search**  
USPC ..... D14/218; D13/168  
See application file for complete search history.

*Primary Examiner* — John Windmuller

*Assistant Examiner* — John R Yeh

(74) *Attorney, Agent, or Firm* — Manatt, Phelps & Phillips, LLP

(56) **References Cited**

(57) **CLAIM**

The ornamental design for the remote control, as shown and described.

U.S. PATENT DOCUMENTS

**DESCRIPTION**

D395,890 S *	7/1998	Gerba	.....	D14/218
D424,577 S *	5/2000	Backs	.....	D13/168
D502,929 S *	3/2005	Copeland	.....	D13/168
D527,712 S *	9/2006	Indio da Costa	.....	D13/168
D532,754 S *	11/2006	Ng	.....	D13/168
D561,178 S *	2/2008	Azuma	.....	D14/218
D562,806 S *	2/2008	Bruce	.....	D14/218
D586,301 S *	2/2009	Corsini	.....	D13/168
D595,267 S *	6/2009	Dozoretz	.....	D14/218
D605,180 S *	12/2009	Rudolph	.....	D14/218
D628,988 S *	12/2010	Yu	.....	D14/218
D673,529 S *	1/2013	Miyazaki	.....	D14/218
D710,315 S *	8/2014	Tsai	.....	D13/168
D722,046 S *	2/2015	Kuh	.....	D14/218
D741,816 S *	10/2015	Kroll	.....	D13/168
D770,421 S *	11/2016	Pettersen	.....	D14/218
D779,459 S *	2/2017	Schlossberg	.....	D14/218

FIG. 1 is a front isometric view showing my new design for a remote control;

FIG. 2 is a back isometric view of the remote control;

FIG. 3 is a front view of the remote control;

FIG. 4 is a back view of the remote control;

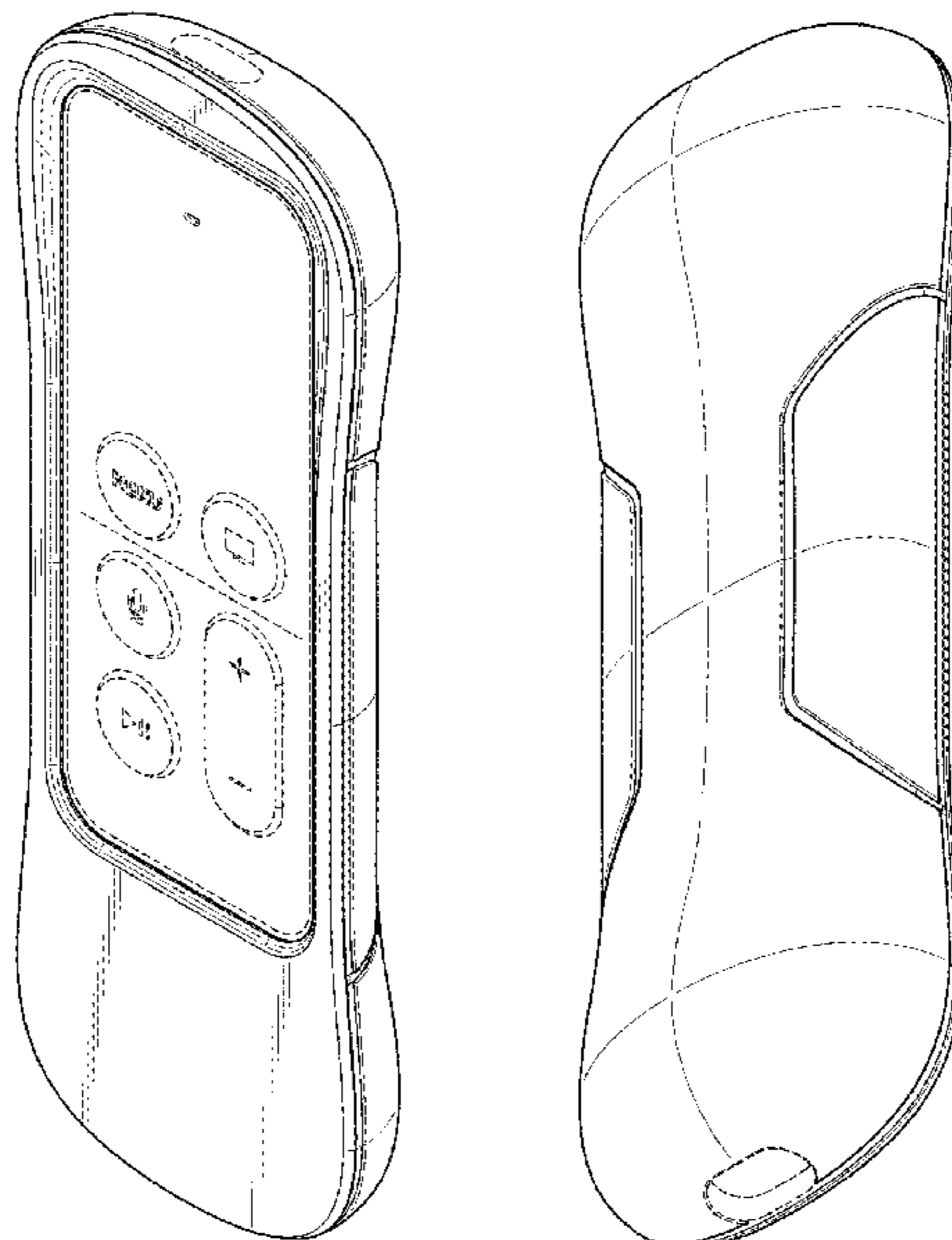
FIG. 5 is a right side view of the remote control, the left side view being the same;

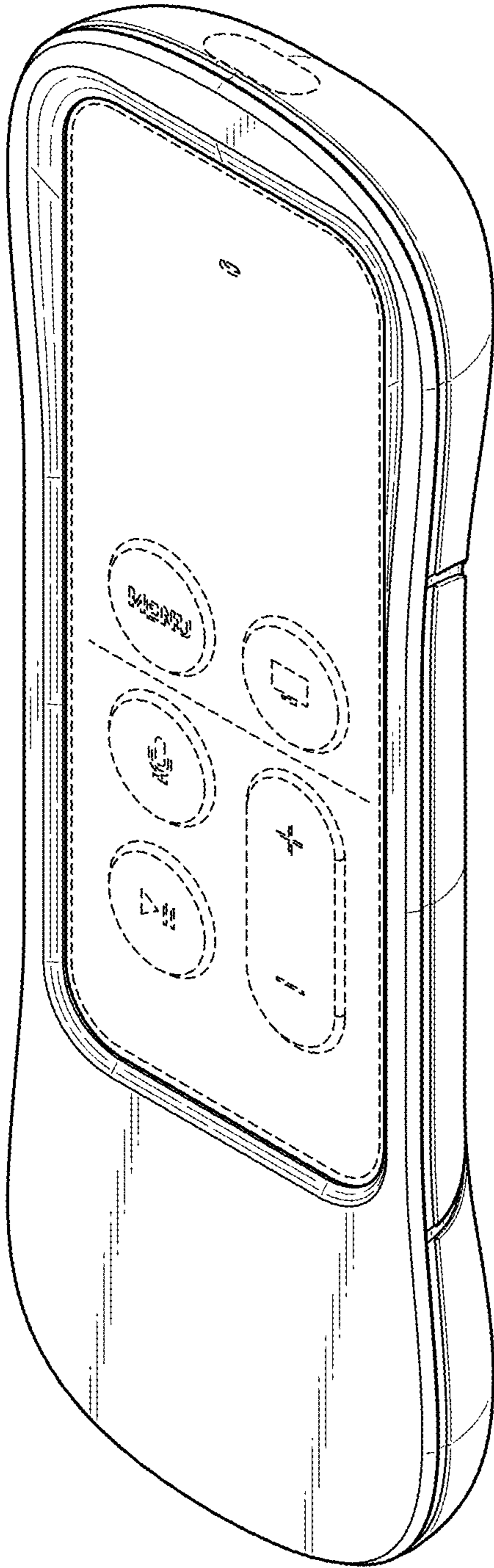
FIG. 6 is a top view of the remote control; and,

FIG. 7 is a bottom view of the remote control.

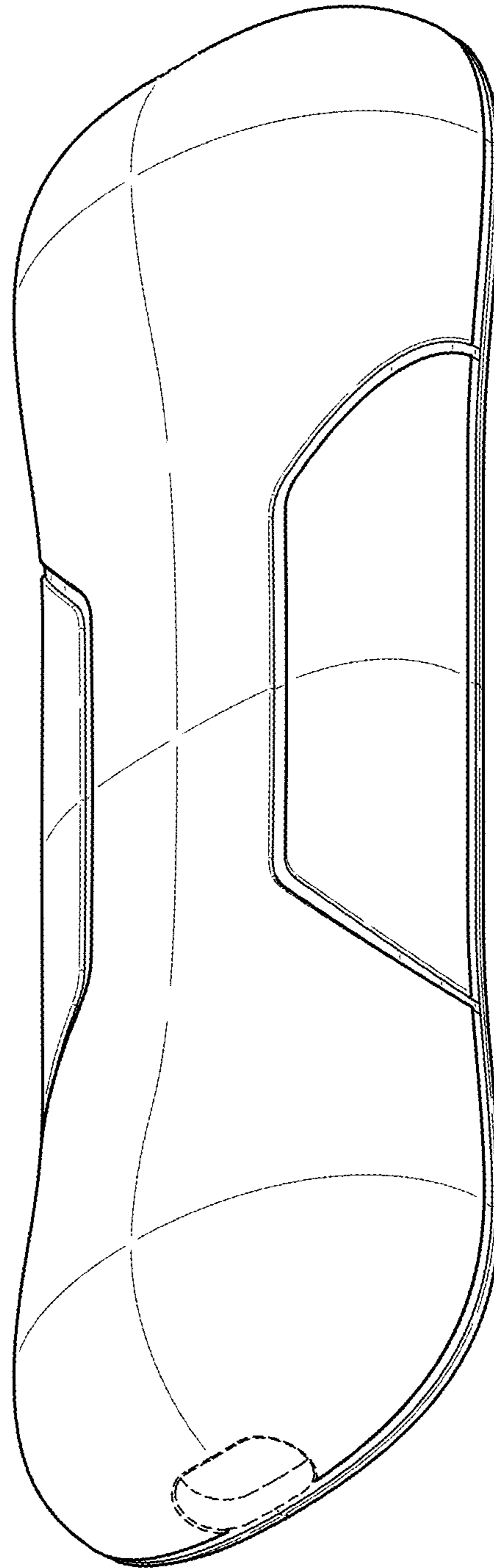
The broken lines represent portions of the remote control that form no part of the claimed design.

**1 Claim, 3 Drawing Sheets**

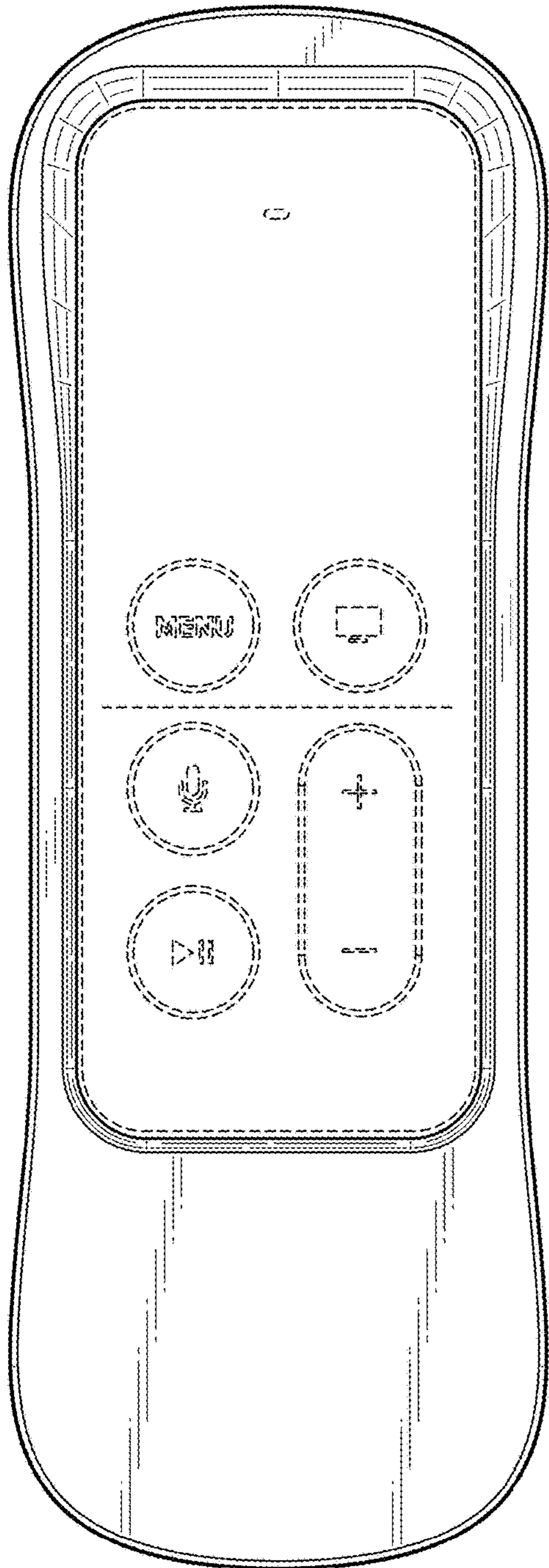




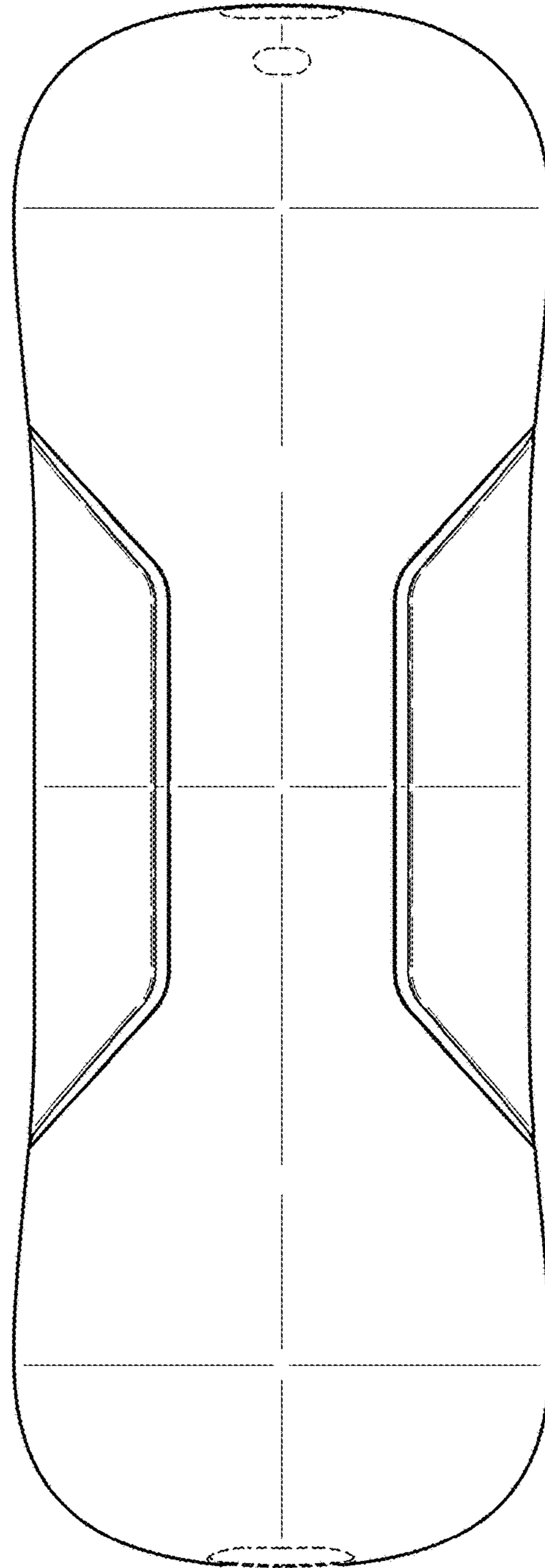
*FIG. 1*



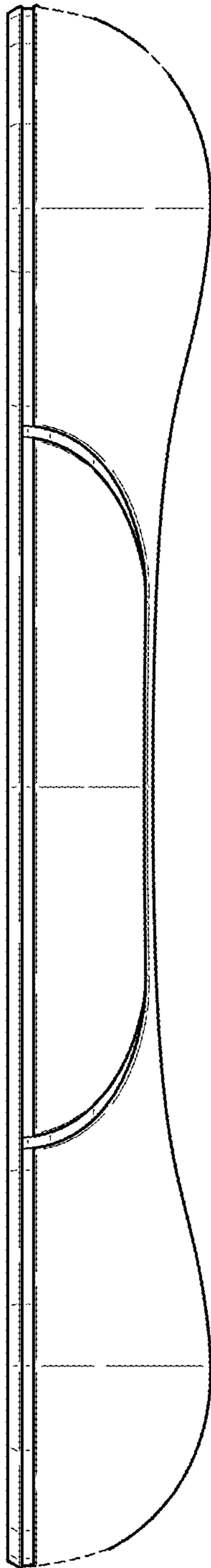
*FIG. 2*



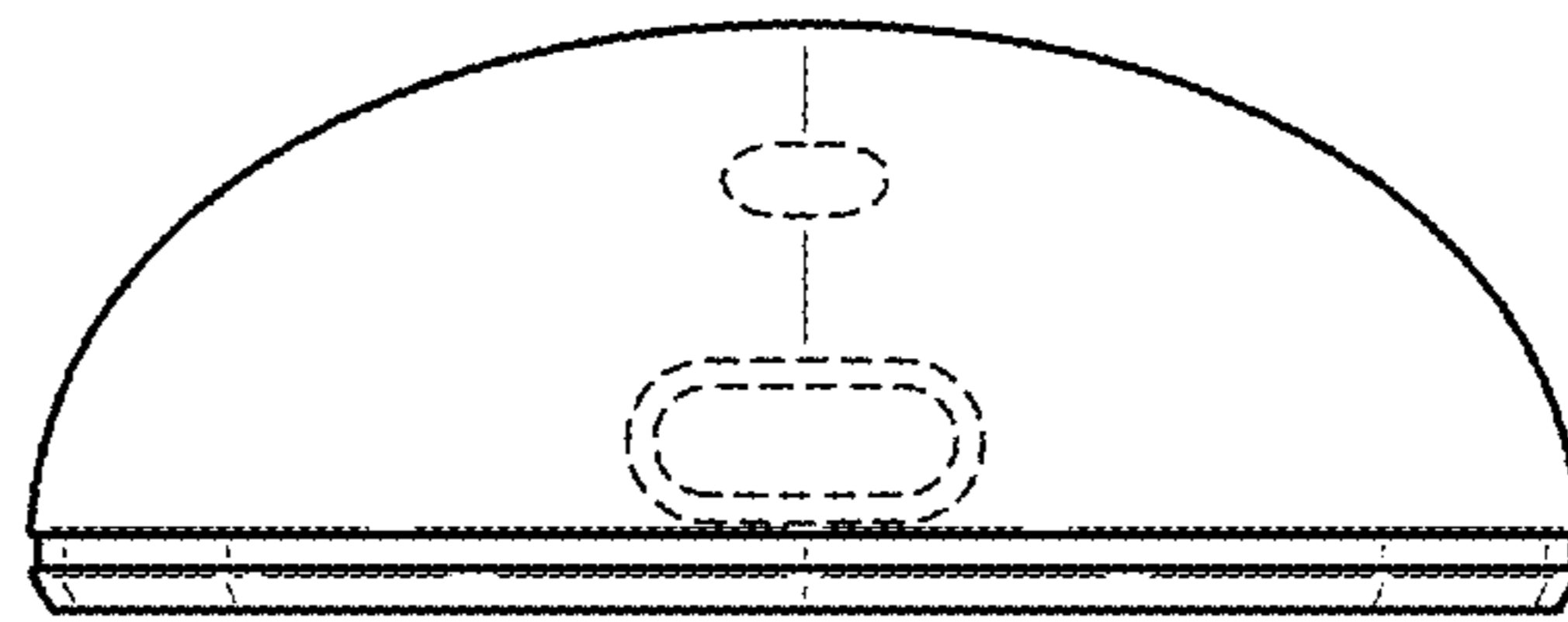
*FIG. 3*



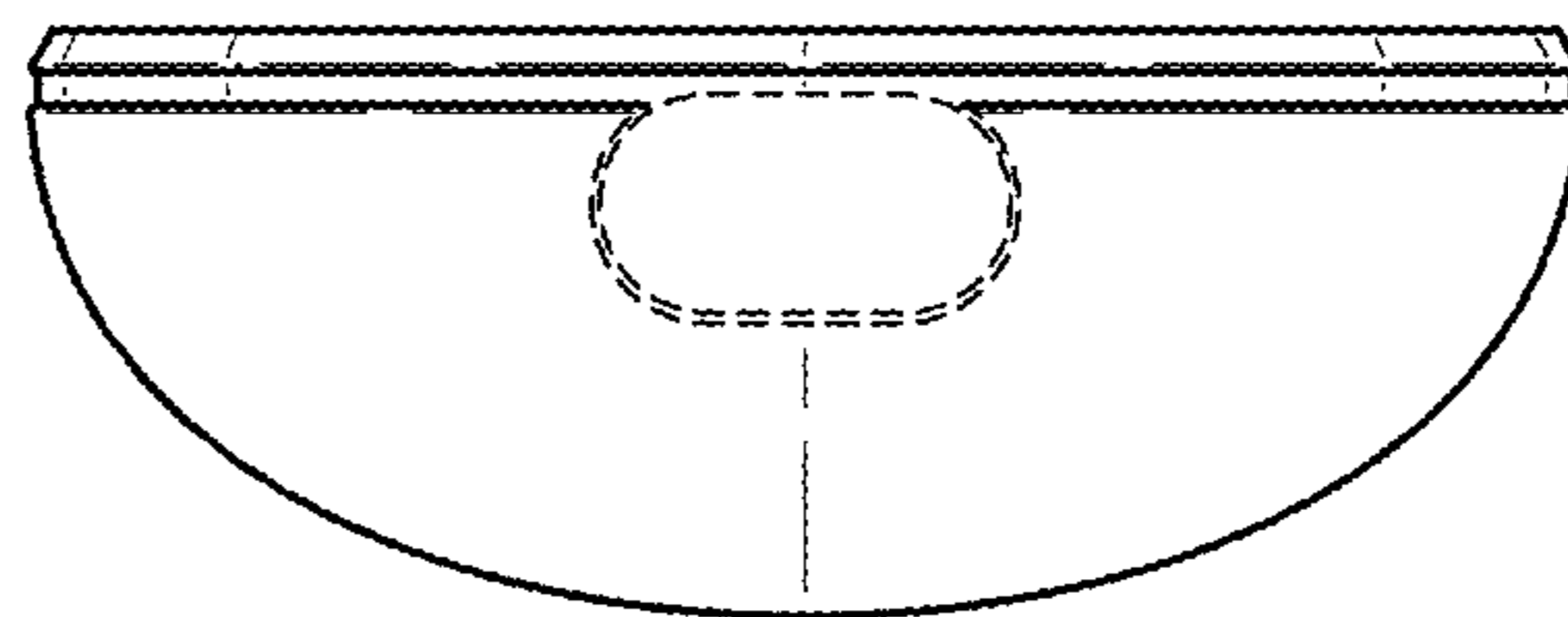
*FIG. 4*



*FIG. 5*



*FIG. 6*



*FIG. 7*