

US00D795218S

(12) **United States Design Patent**  
**Ohmachi**

(10) **Patent No.:** **US D795,218 S**

(45) **Date of Patent:** **\*\* Aug. 22, 2017**

- (54) **HEADPHONE**
- (71) Applicant: **YAMAHA CORPORATION**,  
Hamamatsu-shi (JP)
- (72) Inventor: **Takenori Ohmachi**, Hamamatsu (JP)
- (73) Assignee: **YAMAHA CORPORATION**,  
Hamamatsu-shi (JP)
- (\*\*) Term: **15 Years**
- (21) Appl. No.: **29/553,769**
- (22) Filed: **Feb. 4, 2016**
- (30) **Foreign Application Priority Data**  
Aug. 31, 2015 (JP) ..... 2015-019078
- (51) **LOC (10) Cl.** ..... **14-01**
- (52) **U.S. Cl.**  
USPC ..... **D14/205**
- (58) **Field of Classification Search**  
USPC ..... D14/205; D29/112; 2/209; 181/129,  
181/130, 135; 379/430, 431; 381/370,  
381/374, 380, 381, 74  
CPC .... H04R 1/1066; H04R 1/1016; H04R 25/00;  
H04R 1/02; H04R 1/105; H04R 5/0335  
See application file for complete search history.

- (56) **References Cited**  
U.S. PATENT DOCUMENTS  
D255,352 S \* 6/1980 Besasie ..... D14/205  
D328,074 S \* 7/1992 Yamazaki ..... D14/205  
D328,461 S \* 8/1992 Daido ..... D14/205  
D353,817 S \* 12/1994 Wada ..... D14/205  
D353,818 S \* 12/1994 Nakamura ..... D14/205  
5,406,037 A \* 4/1995 Nageno ..... H04R 5/0335  
181/129  
5,574,795 A \* 11/1996 Seki ..... H04R 5/0335  
381/370

- 5,751,825 A \* 5/1998 Myers ..... G04F 5/025  
381/118
- D410,466 S \* 6/1999 Mouri ..... D14/205
- D464,469 S \* 10/2002 Dix ..... D29/112
- D491,163 S \* 6/2004 Green ..... D14/205
- D532,407 S \* 11/2006 Motoishi ..... D14/205
- D541,255 S \* 4/2007 Taylor ..... D14/205
- D549,217 S \* 8/2007 Viduya ..... D14/206
- D563,382 S \* 3/2008 Wikel ..... D14/205
- 7,388,960 B2 \* 6/2008 Kuo ..... H04R 1/1041  
379/430
- D581,394 S \* 11/2008 Lee ..... D14/205
- D594,847 S \* 6/2009 Suzuki ..... D14/205
- D616,419 S \* 5/2010 Suwalski ..... D14/206
- D642,554 S \* 8/2011 Schaal ..... D14/205
- 8,098,872 B2 \* 1/2012 Chang ..... H04R 1/1075  
381/370
- D656,125 S \* 3/2012 Komiyama ..... D14/205
- D657,776 S \* 4/2012 Lee ..... D14/205
- D662,080 S \* 6/2012 Carr ..... D14/205

(Continued)

*Primary Examiner* — Paula Greene  
(74) *Attorney, Agent, or Firm* — Sughrue Mion, PLLC

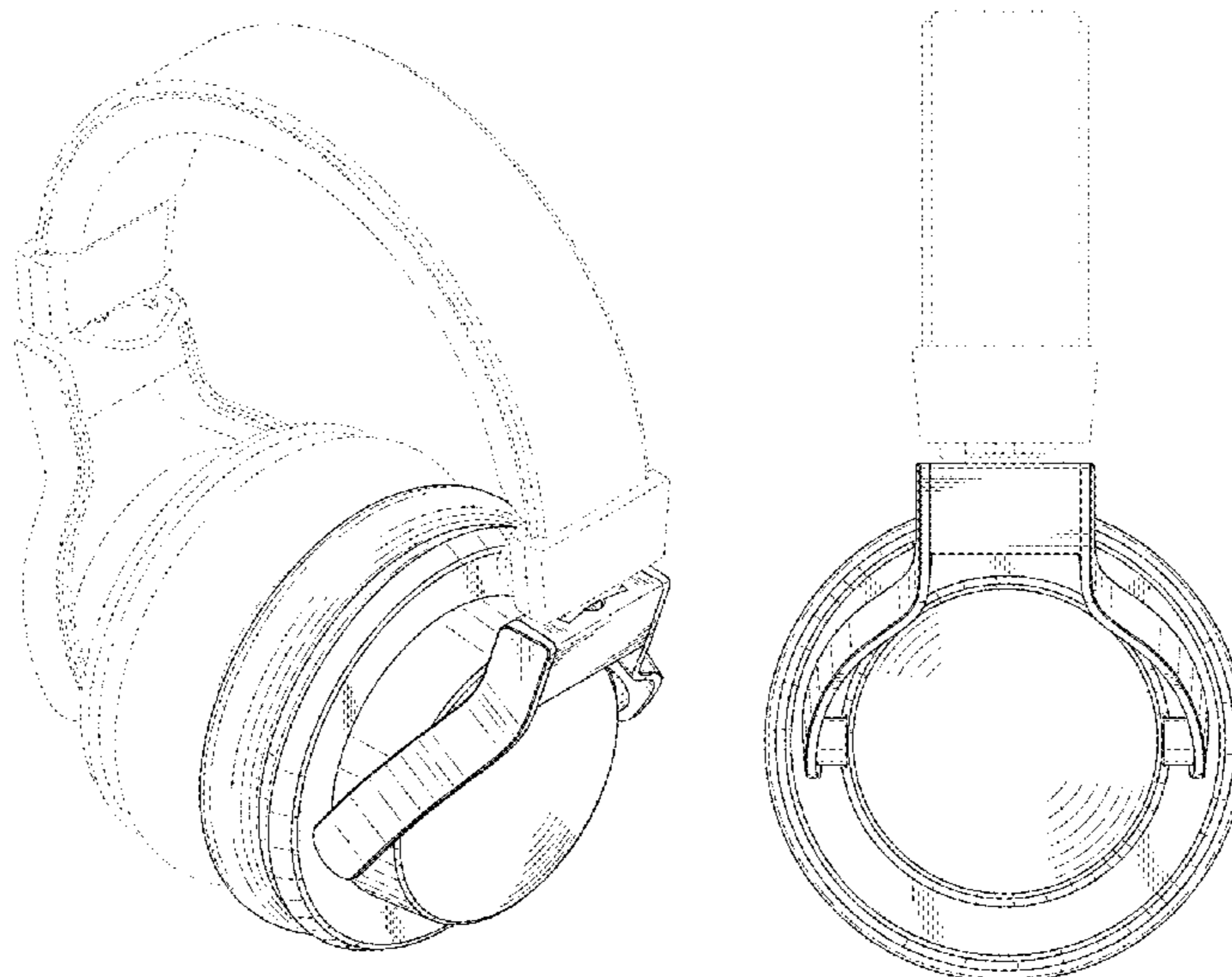
(57) **CLAIM**

The ornamental design for a headphone, as shown and described.

**DESCRIPTION**

FIG. 1 is a perspective view of the front, top and right side of a headphone showing my new design;  
FIG. 2 is a front view thereof;  
FIG. 3 is a rear view thereof;  
FIG. 4 is a left side view thereof;  
FIG. 5 is a right side view thereof;  
FIG. 6 is a top plan view thereof; and,  
FIG. 7 is a bottom view thereof.  
The broken line showing of the headphone is included for the purpose of illustrating portions of the headphone and forms no part of the claimed design.

**1 Claim, 6 Drawing Sheets**



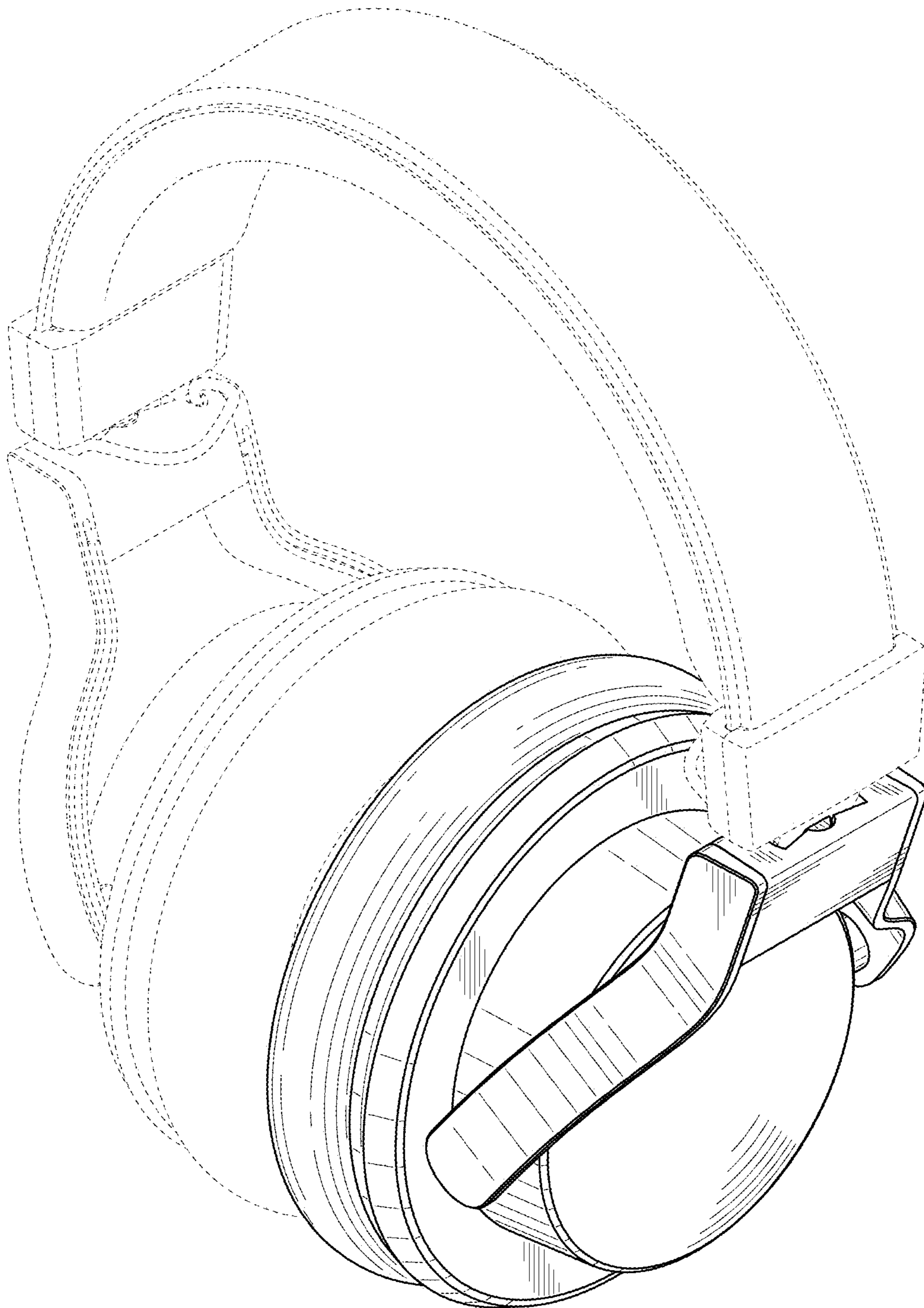
(56)

**References Cited**

U.S. PATENT DOCUMENTS

D669,450 S \* 10/2012 Katsumata ..... D14/205  
D674,372 S \* 1/2013 Kelly ..... D14/205  
D677,243 S \* 3/2013 Kitayama ..... D14/205  
D683,717 S \* 6/2013 Kelly ..... D14/205  
D704,161 S \* 5/2014 Morimoto ..... H04R 1/1066  
D14/205  
8,774,420 B2 \* 7/2014 Belafonte ..... H04R 1/2811  
381/182  
D719,136 S \* 12/2014 Schaal ..... D14/205  
D721,052 S \* 1/2015 Carr ..... D14/205  
D729,194 S \* 5/2015 Boeckel ..... D14/205  
D734,297 S \* 7/2015 Sasaki ..... D14/205  
D768,110 S \* 10/2016 Suzuki ..... D14/205  
D769,219 S \* 10/2016 Ohmachi ..... D14/205  
D777,701 S \* 1/2017 Czaniecki ..... D14/205  
2007/0041604 A1 \* 2/2007 Yang ..... H04R 1/1066  
381/370

\* cited by examiner



**FIG. 1**

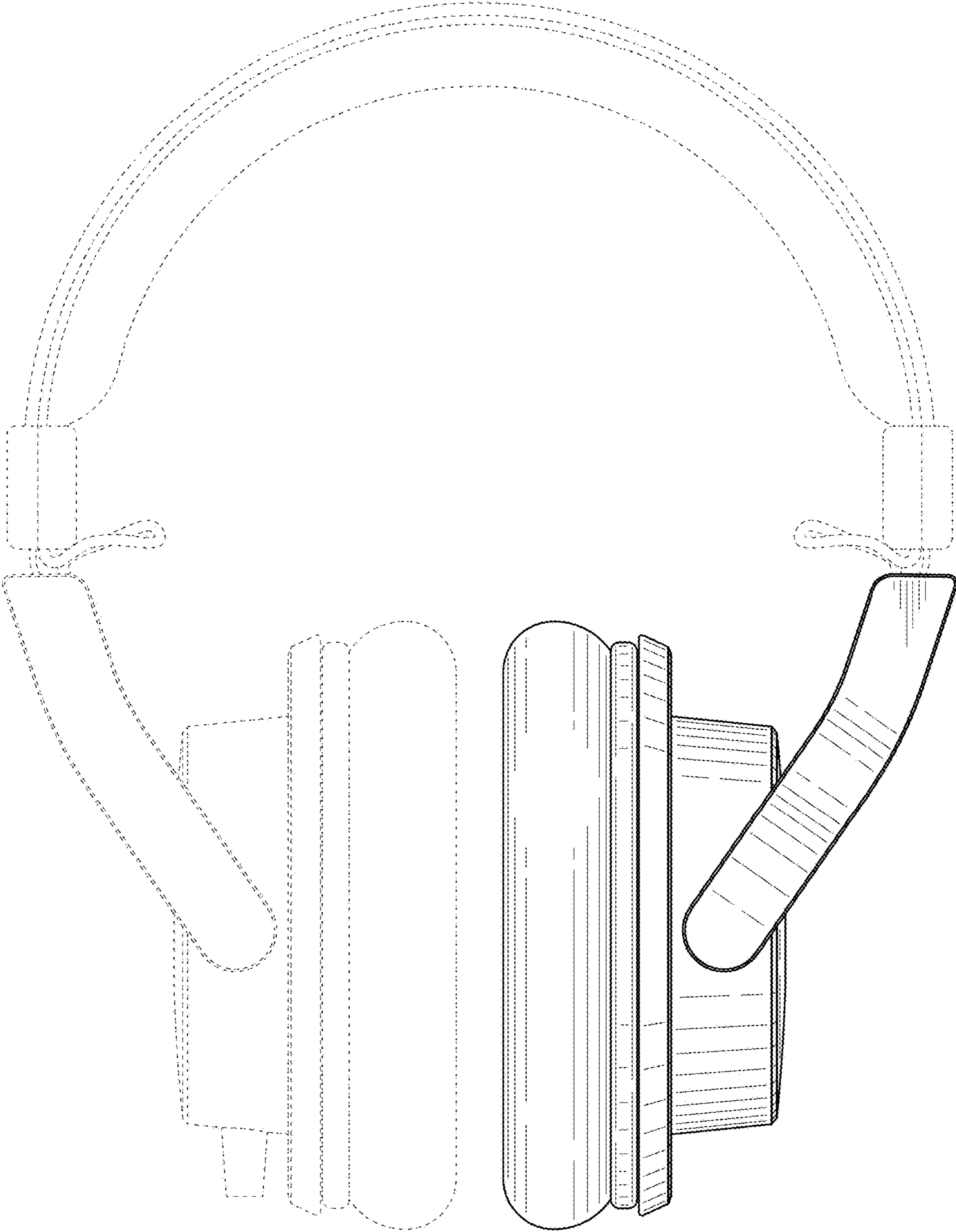


FIG. 2

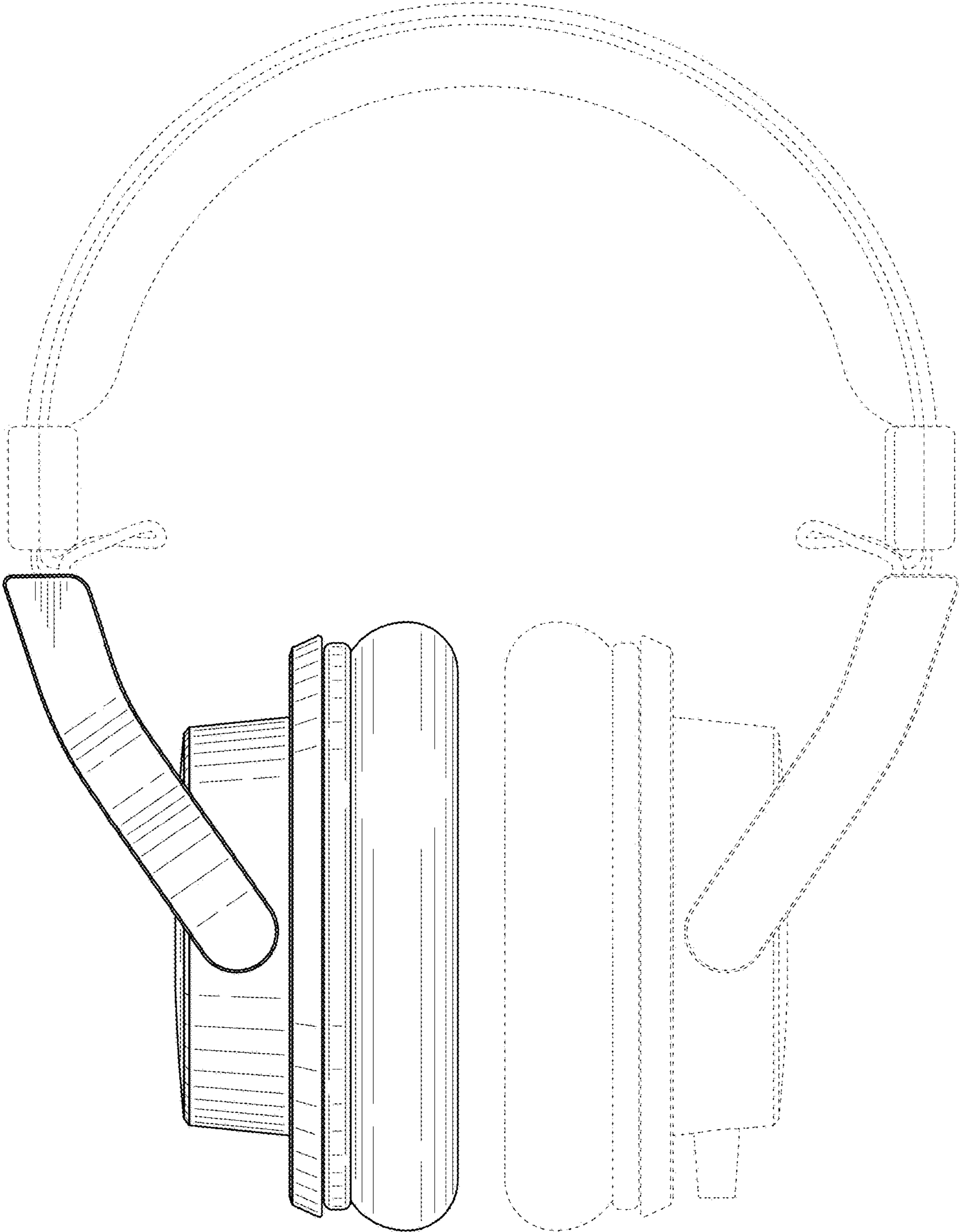
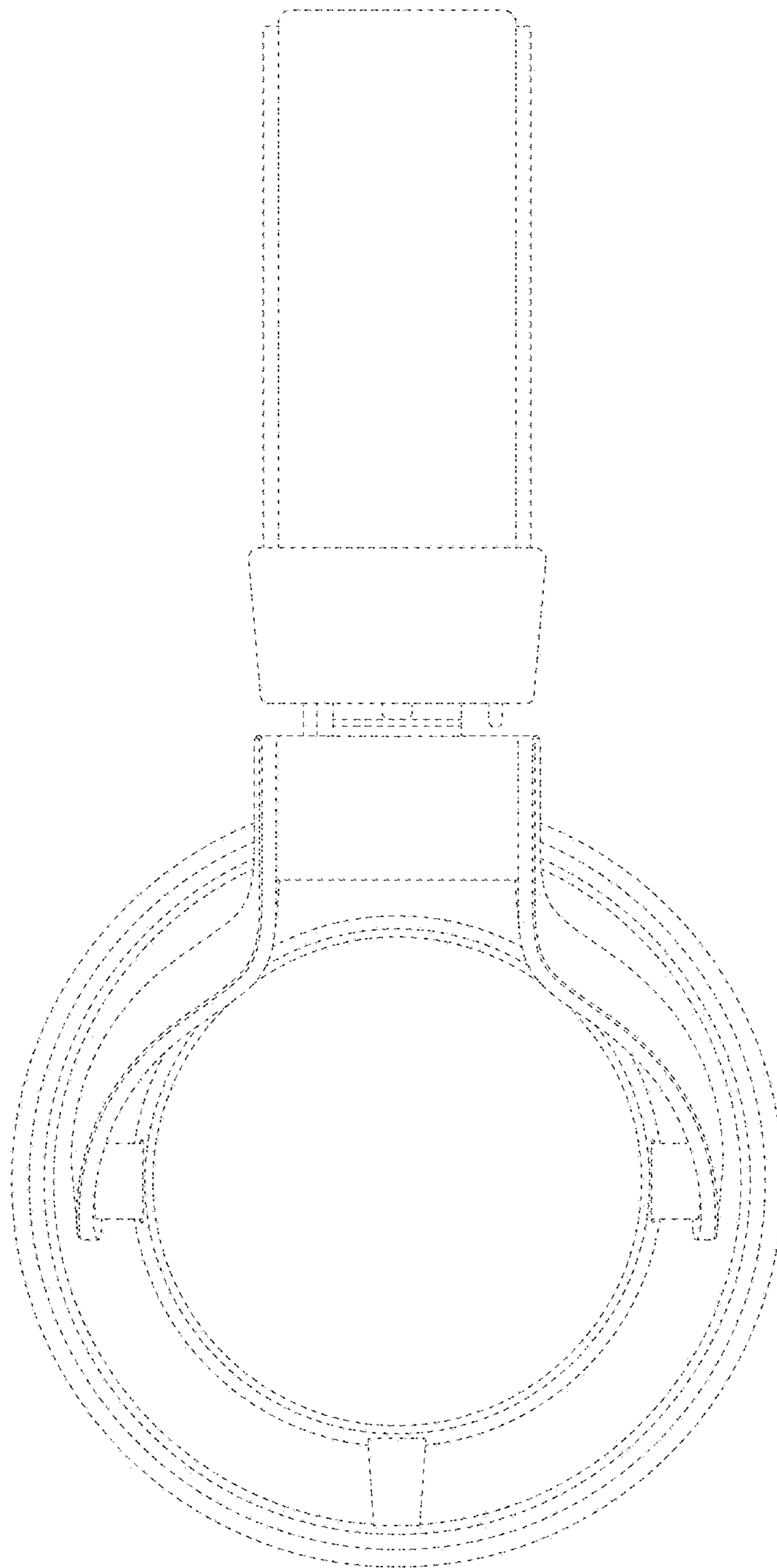


FIG. 3



**FIG. 4**

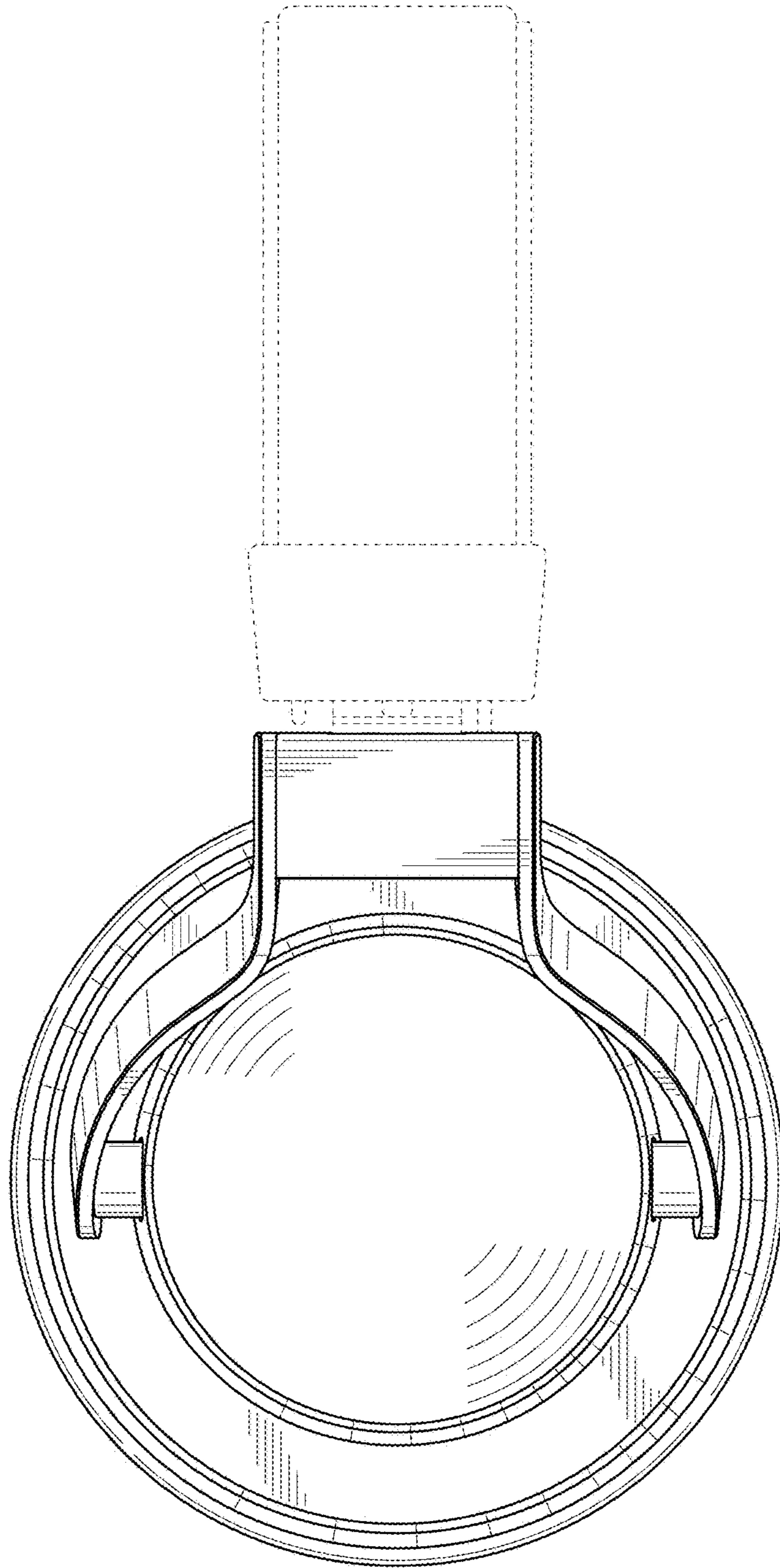


FIG. 5

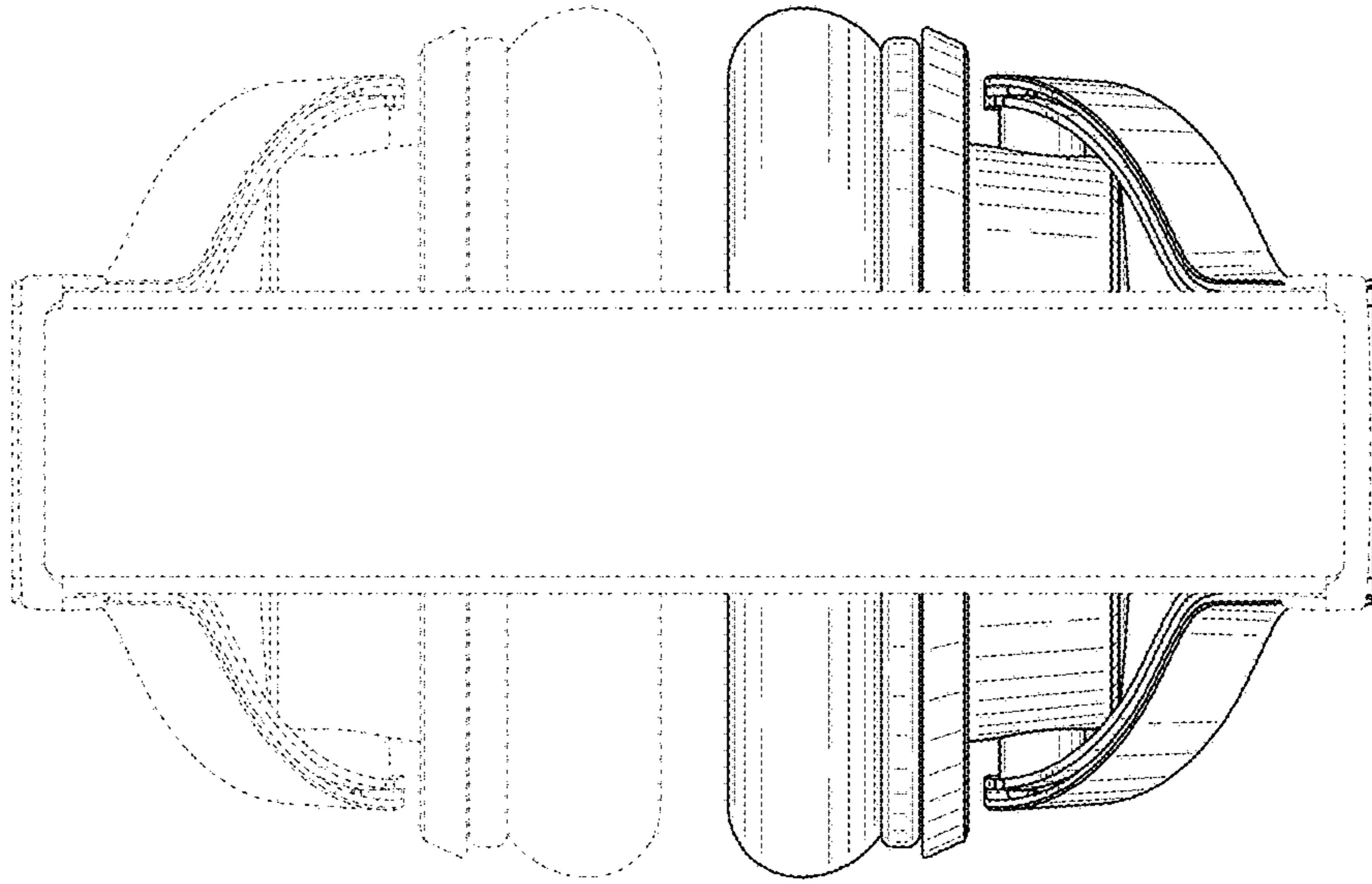


FIG. 6

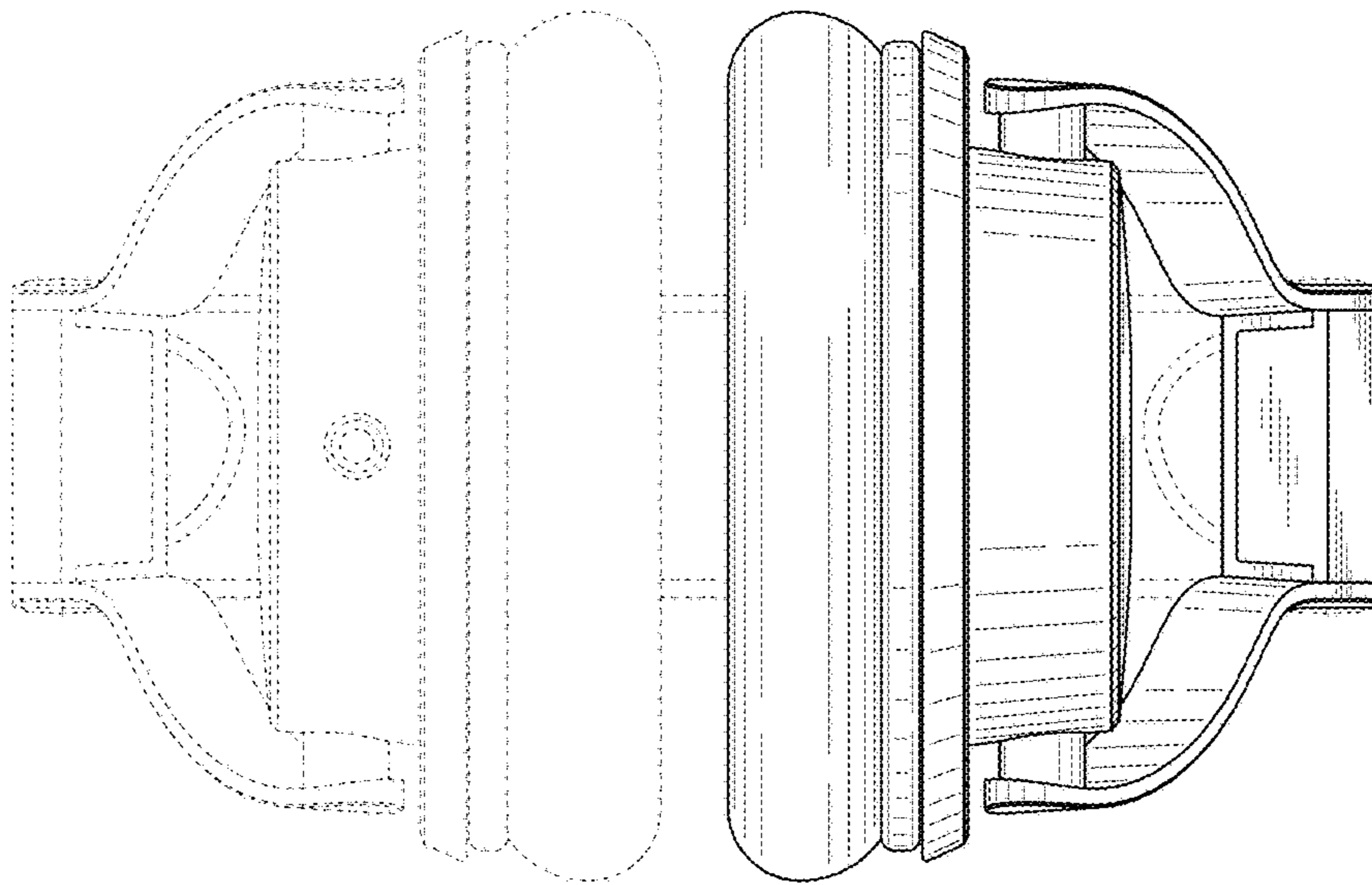


FIG. 7