



US00D795215S

(12) **United States Design Patent**
Huang et al.

(10) **Patent No.:** **US D795,215 S**

(45) **Date of Patent:** **** Aug. 22, 2017**

(54) **TELECOMMUNICATION POWER CABINET**

(71) Applicant: **DELTA ELECTRONICS, INC.**,
Taoyuan County (TW)

(72) Inventors: **Yen-Wen Huang**, Taoyuan Hsien (TW);
Kuan Lung Wu, Taoyuan Hsien (TW);
Chih-Ming Chen, Taoyuan Hsien (TW)

(73) Assignee: **DELTA ELECTRONICS, INC.**,
Taoyuan Hsien (TW)

(**) Term: **15 Years**

(21) Appl. No.: **29/536,224**

(22) Filed: **Aug. 14, 2015**

(51) **LOC (10) Cl.** **14-03**

(52) **U.S. Cl.**
USPC **D14/140.2; D13/184**

(58) **Field of Classification Search**
USPC D14/140, 140.2, 140.3, 140.5, 308, 364,
D14/299, 358; D13/123, 184, 101, 110,
(Continued)

(56) **References Cited**

U.S. PATENT DOCUMENTS

D102,383 S * 12/1936 Livar D23/351
2,300,580 A * 11/1942 Loprich F24F 6/06
261/30

(Continued)

OTHER PUBLICATIONS

Power Cabinets. (Design—© Questel). orbit.com [online Pdf] 23 pages. Print Dates range from May 12, 2003 to Feb. 29, 2016 [retrieved on Dec. 15, 2016] <https://sobjprd.questel.fr/export/QPTUJ214/pdf2/9abcda30-2aff-4020-b2a5-1cc70e9b9987-223315.pdf>.*

Primary Examiner — Susan Bennett Hattan

Assistant Examiner — Marie Fast Horse

(74) *Attorney, Agent, or Firm* — Kirton McConkie; Evan R. Witt

(57) **CLAIM**

The ornamental design for a telecommunication power cabinet, as shown and described.

DESCRIPTION

FIG. 1 is a perspective view of a telecommunication power cabinet showing my new design. Enlarged views of identified portions 8 and 9 are shown in FIGS. 8 and 9, respectively;

FIG. 2 is a front elevation view thereof;

FIG. 3 is a rear elevation view thereof. An enlarged view of identified portion 10 is shown in FIG. 10;

FIG. 4 is a left side elevation view thereof;

FIG. 5 is a right side elevation view thereof;

FIG. 6 is a top plan view thereof;

FIG. 7 is a bottom plan view thereof. An enlarged view of identified portion 11 is shown in FIG. 11;

FIG. 8 is an enlarged fragmentary view of the telecommunication power cabinet as identified in portion 8 of FIG. 1;

FIG. 9 is an enlarged fragmentary view of the telecommunication power cabinet as identified in portion 9 of FIG. 1,

FIG. 10 is an enlarged fragmentary view of the telecommunication power cabinet as identified in portion 10 of FIG. 3;

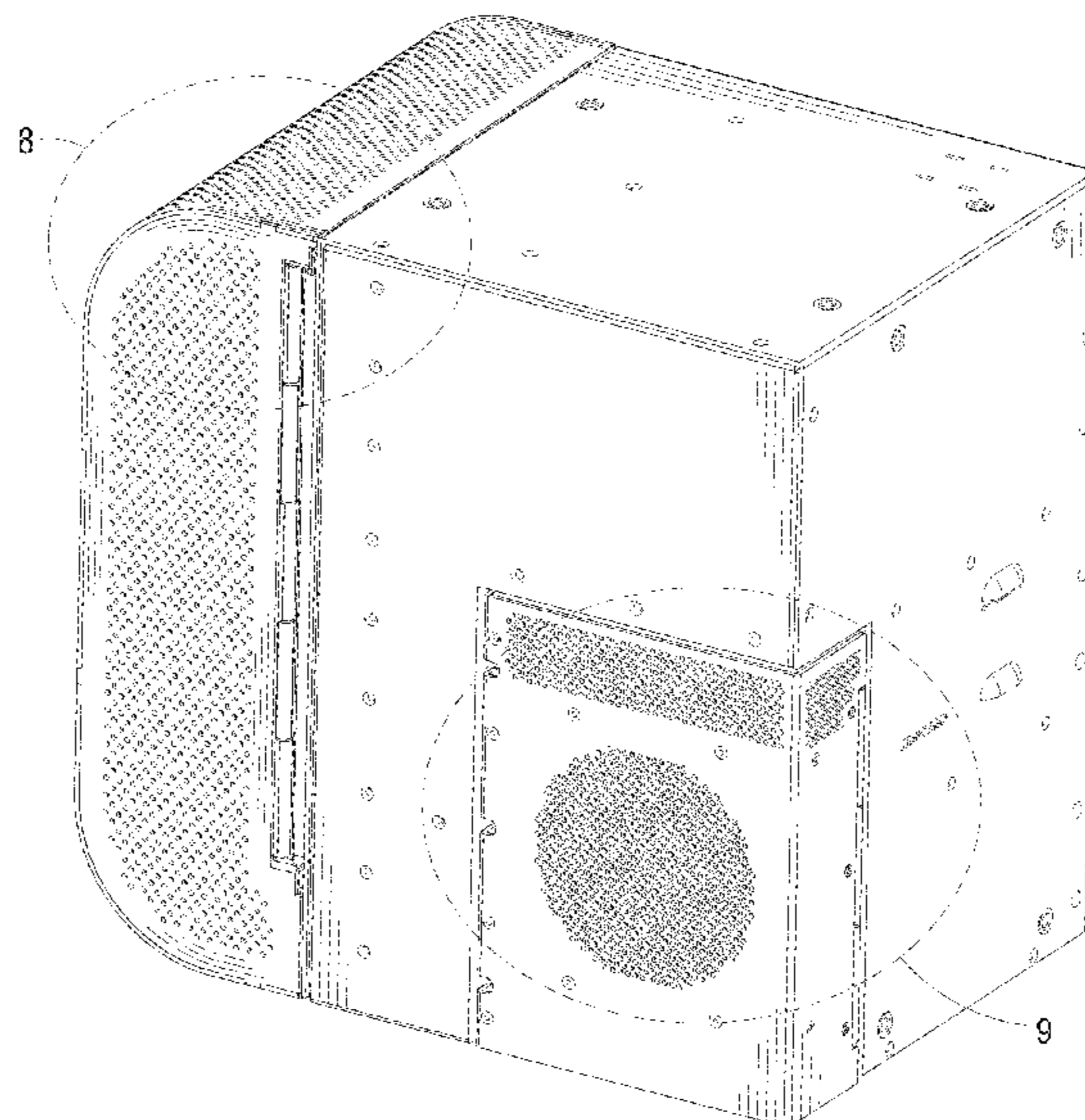
FIG. 11 is an enlarged fragmentary view of the telecommunication power cabinet as identified in portion 11 of FIG. 7;

and,

FIG. 12 is another perspective view of the telecommunication power cabinet.

The broken lines are for the purpose of illustrating portions of the telecommunication power cabinet and form no part of the claimed design.

1 Claim, 12 Drawing Sheets



(58) **Field of Classification Search**
 USPC D13/111, 112, 114, 160, 199; D6/663,
 D6/664, 668, 668.1; D23/314, 325, 333,
 D23/351
 CPC H04Q 1/00; H04Q 1/025; H04Q 1/026;
 H04Q 1/06; H04Q 1/08; H05K 5/00;
 H05K 7/00; H05K 7/1488; H05K
 7/20563; H05K 7/20581; H05K 9/0062
 See application file for complete search history.

(56) **References Cited**

U.S. PATENT DOCUMENTS

2,467,377 A * 4/1949 Giegerich H01F 27/266
 174/542
 D246,711 S * 12/1977 Kneale D14/308
 D282,358 S * 1/1986 Campbell D14/140
 D297,141 S * 8/1988 Goodlander D18/59
 D298,770 S * 11/1988 DeMars D23/314
 D302,975 S * 8/1989 Graham D14/361
 5,001,602 A * 3/1991 Suffi H04Q 1/028
 361/724
 D330,888 S * 11/1992 Worley D13/184
 D334,937 S * 4/1993 Kerr D13/184
 D366,648 S * 1/1996 Hill D14/308
 D382,879 S * 8/1997 Beaumont D13/184
 D404,379 S * 1/1999 Murphy D14/312
 D410,899 S * 6/1999 Alo D14/350
 D418,329 S * 1/2000 Voight, Jr. D6/671.1

D430,866 S * 9/2000 Beaumont D13/184
 D431,556 S * 10/2000 Beaumont D13/184
 D464,644 S * 10/2002 Ohwada D14/140.2
 D470,132 S * 2/2003 Smith D14/140.2
 D481,385 S * 10/2003 Tanaka D14/308
 D481,388 S * 10/2003 Tanaka D14/356
 6,732,787 B1 * 5/2004 Trehan H05K 7/206
 165/104.33
 D492,758 S * 7/2004 Burbridge D23/351
 D502,176 S * 2/2005 Fumagalli D14/308
 D518,310 S * 4/2006 Mehmen D6/668.1
 D522,770 S * 6/2006 Easton D6/657
 D559,777 S * 1/2008 Hu D13/110
 D574,771 S * 8/2008 Flanigan D13/122
 D581,412 S * 11/2008 Yang D14/349
 D586,151 S * 2/2009 Roberts D6/667
 D597,942 S * 8/2009 Koizumi D13/110
 D625,122 S * 10/2010 Cartaya, III D6/671
 D646,239 S * 10/2011 Chandler, Jr. D13/184
 D656,119 S * 3/2012 Taniguchi D14/140.2
 D704,184 S * 5/2014 Chen D14/308
 D740,800 S * 10/2015 Lim D14/300
 D760,222 S * 6/2016 Peng D14/358
 D760,651 S * 7/2016 Schmit D13/112
 D760,883 S * 7/2016 Mann D23/364
 D773,215 S * 12/2016 Kappler D6/671
 2008/0239668 A1 * 10/2008 Hendrix H05K 7/20563
 361/695
 2010/0208433 A1 * 8/2010 Heimann H04Q 1/10
 361/724

* cited by examiner

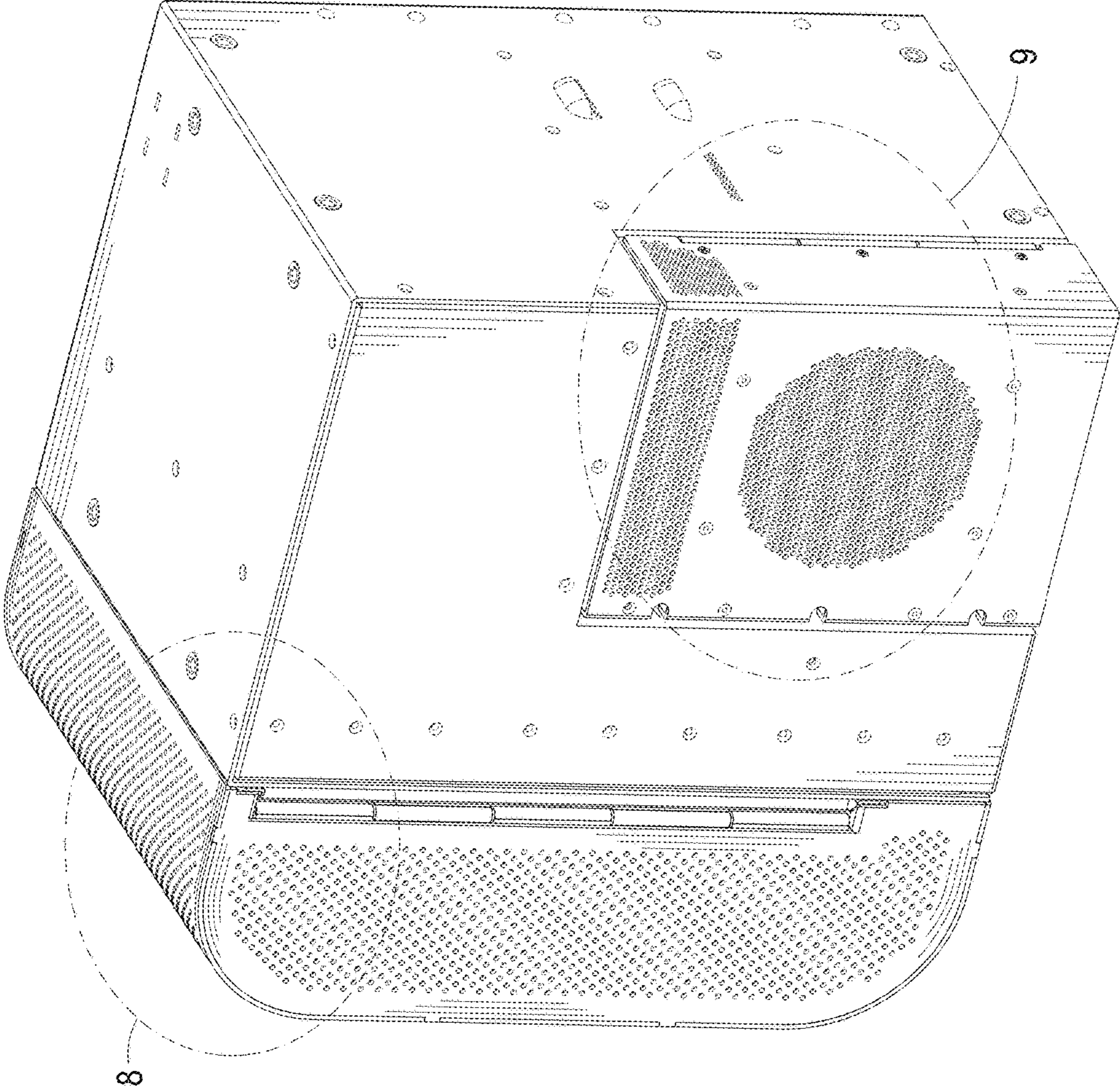
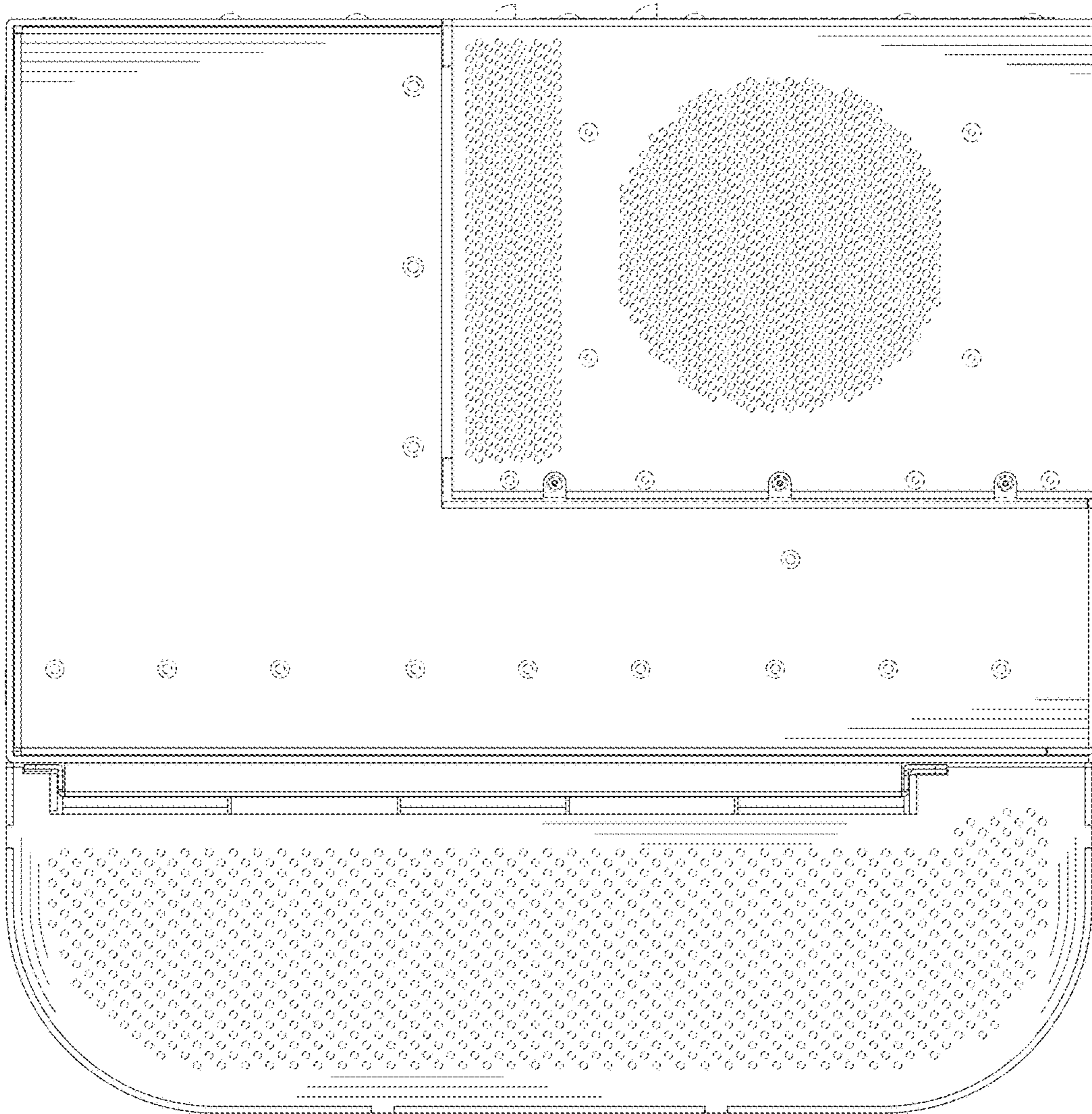


FIG. 1

FIG. 2



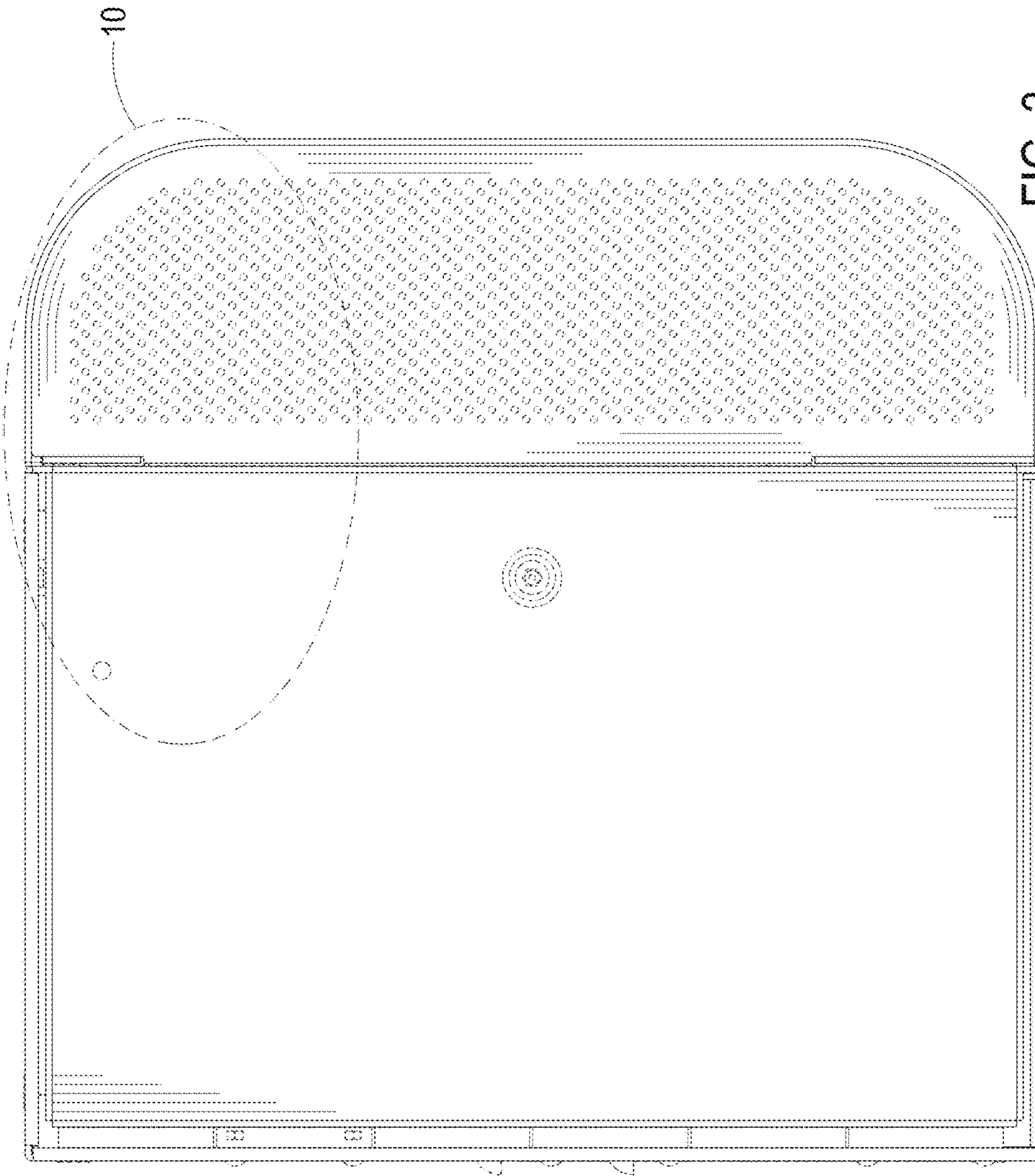


FIG. 3

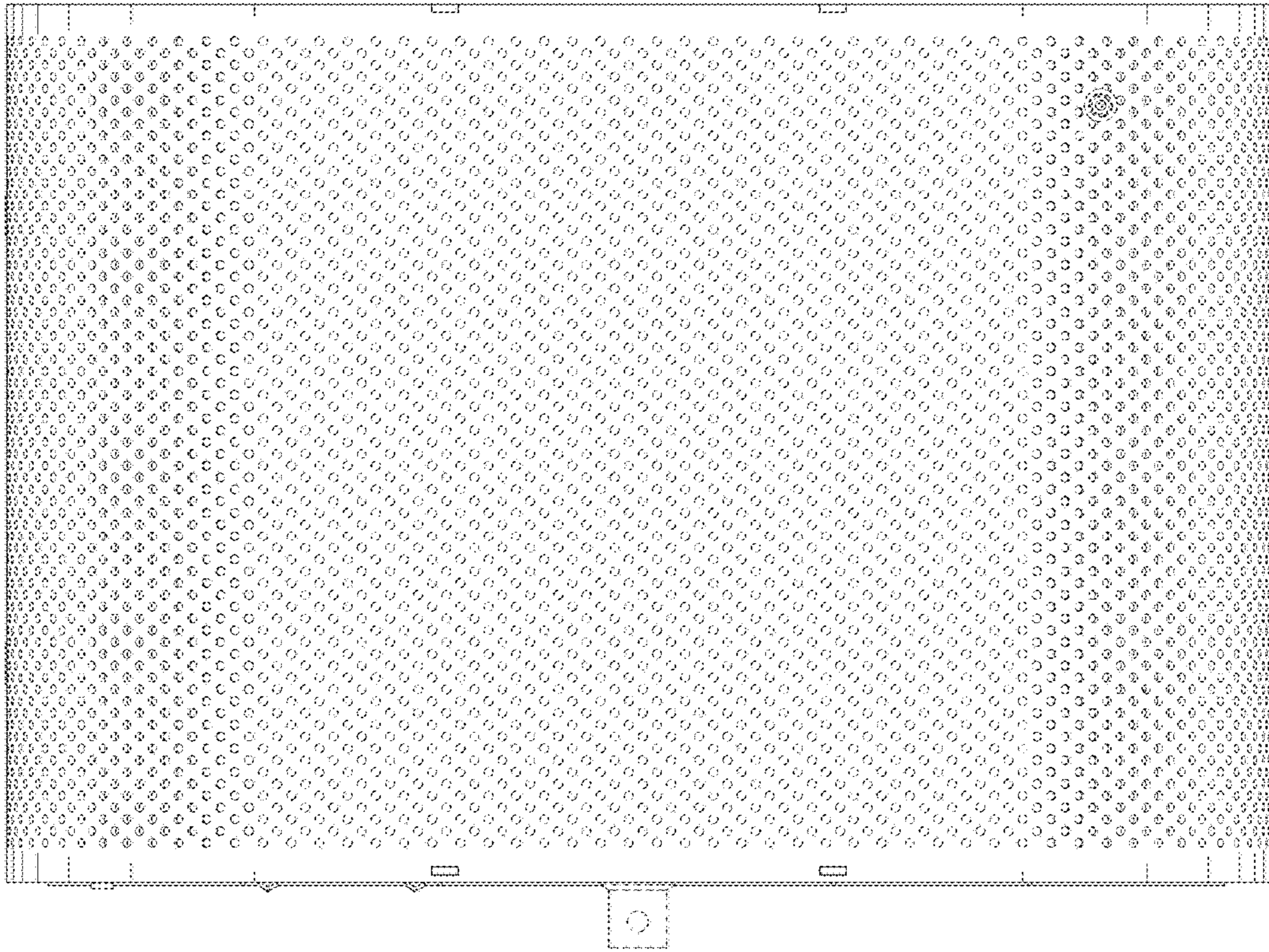


FIG. 4

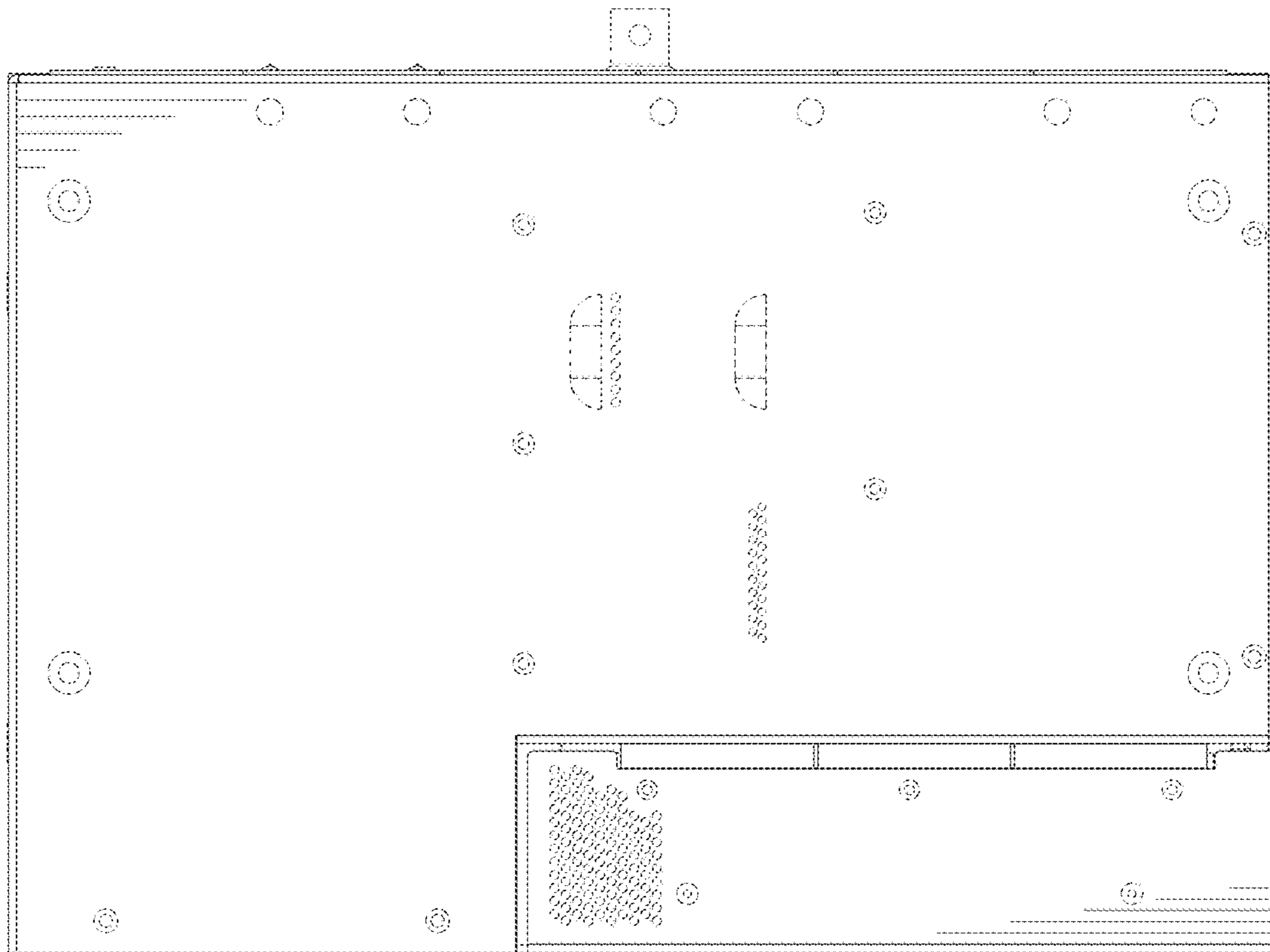


FIG. 5

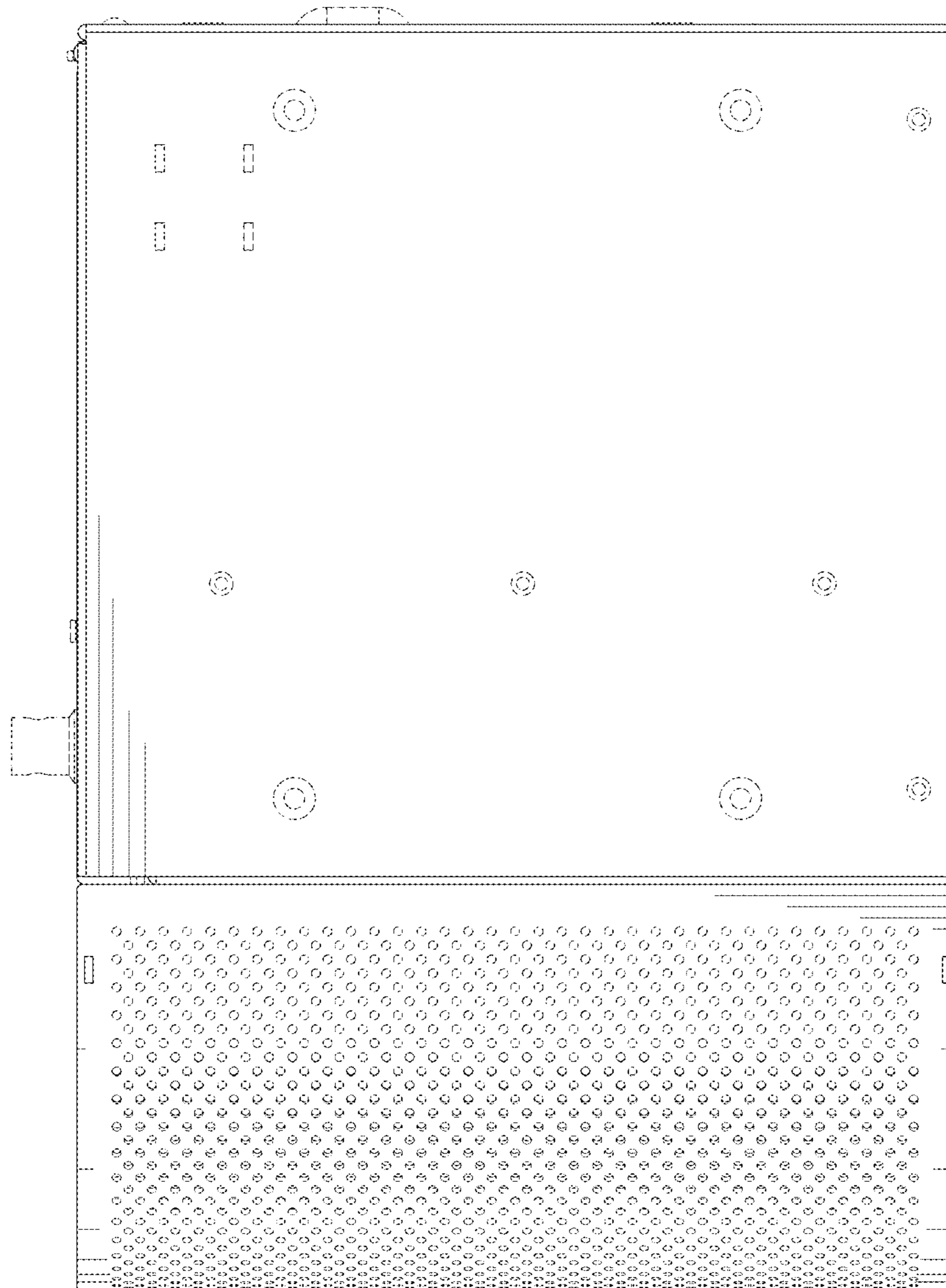


FIG. 6

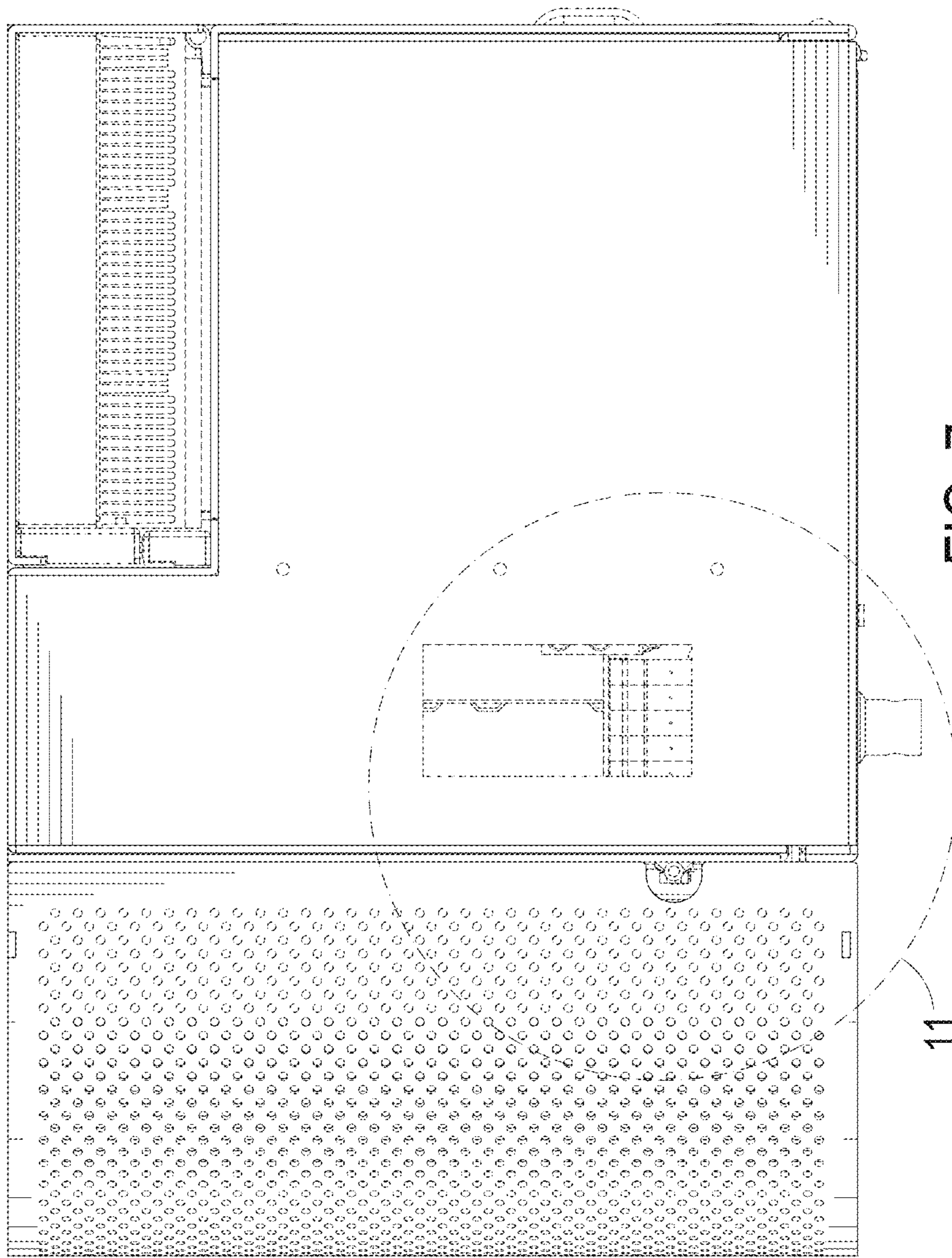


FIG. 7

11

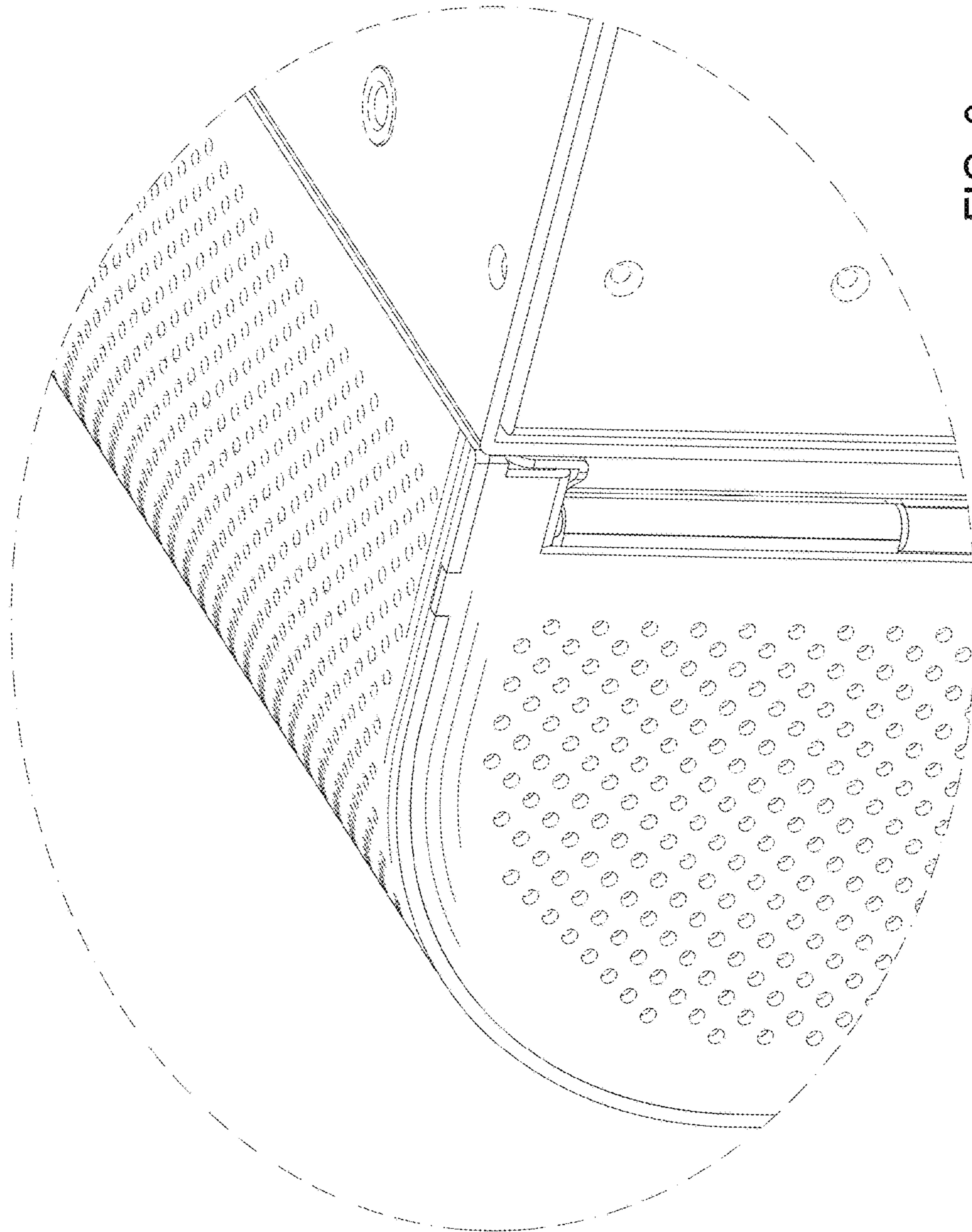


FIG. 8

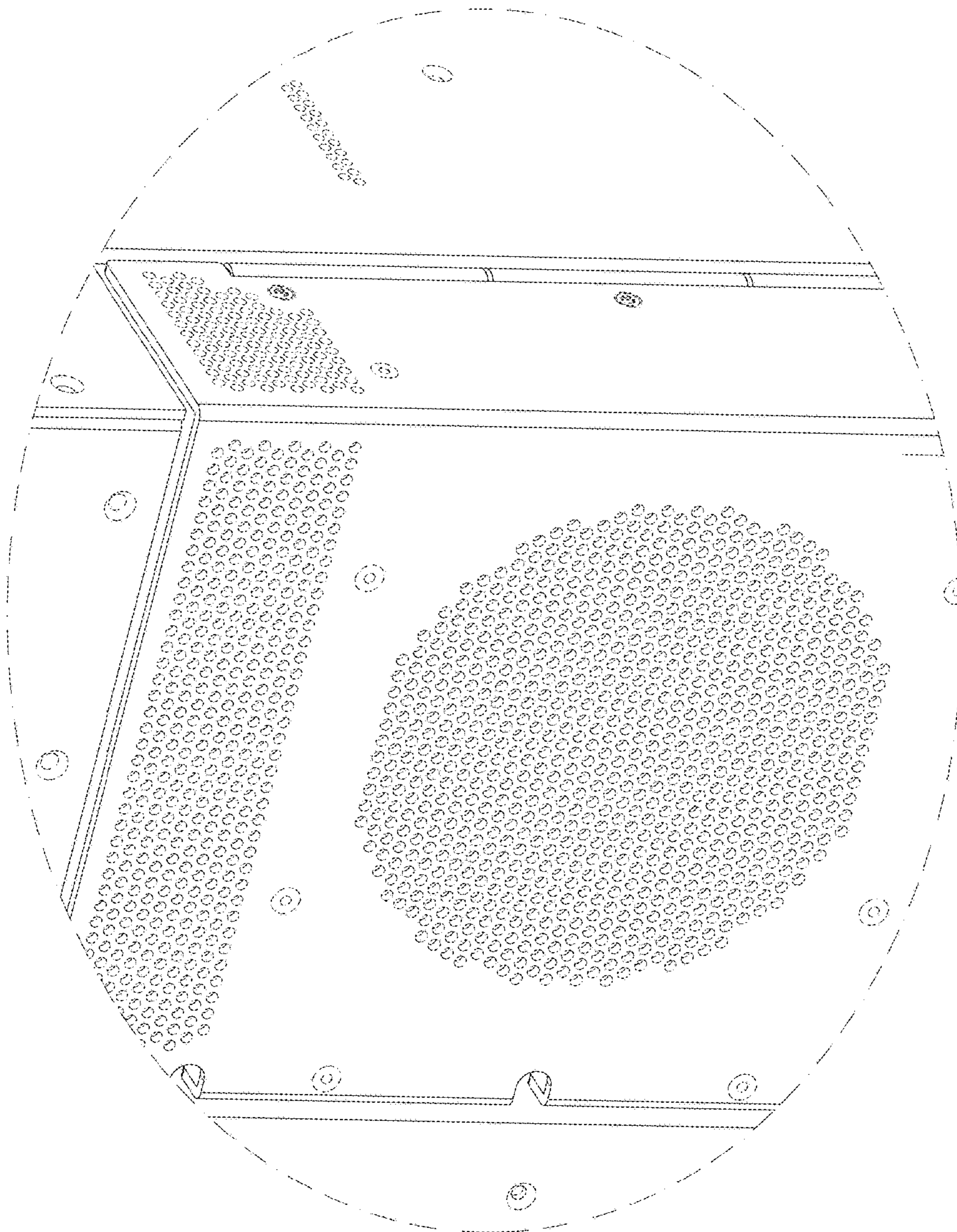


FIG. 9

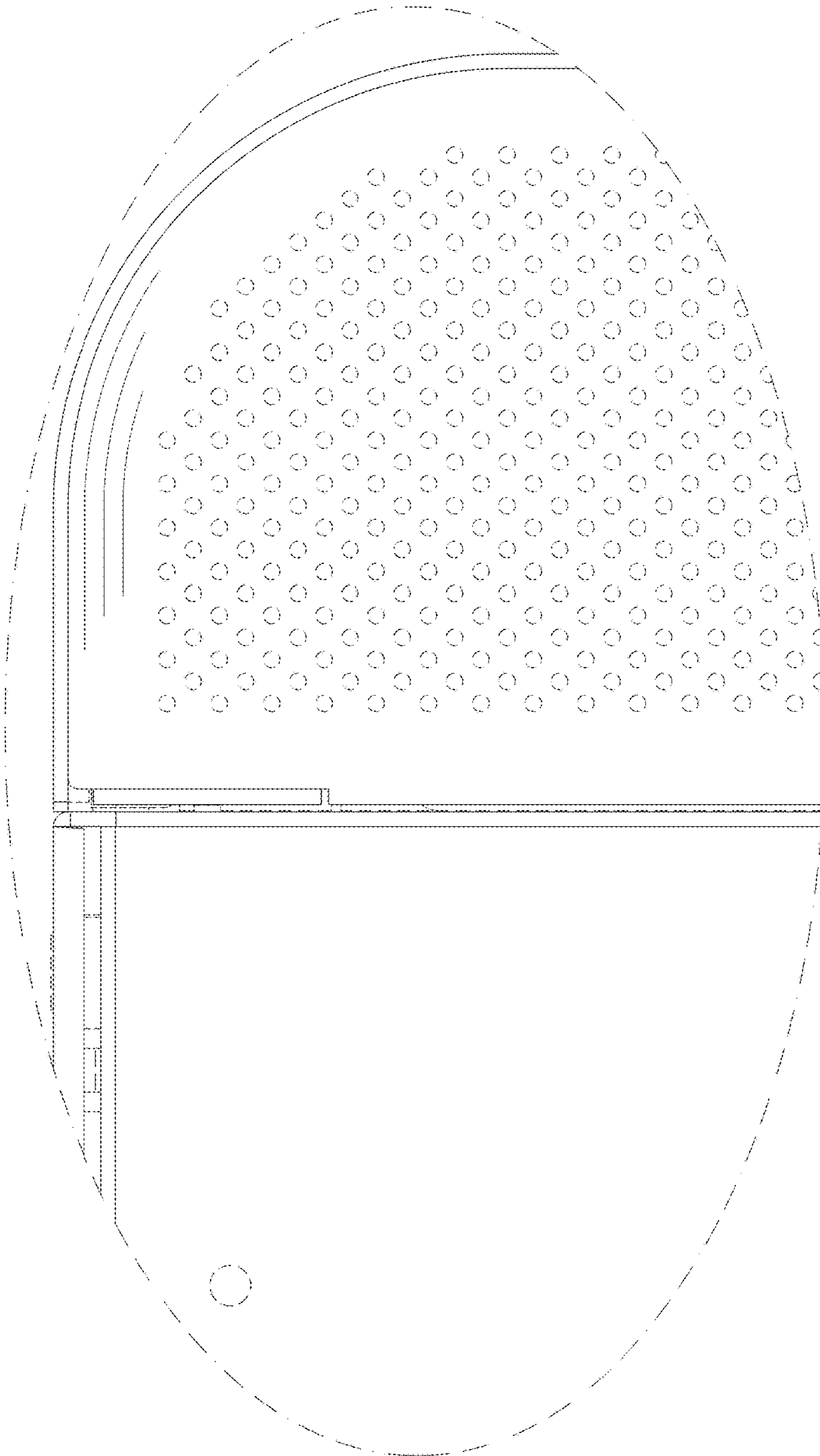


FIG. 10

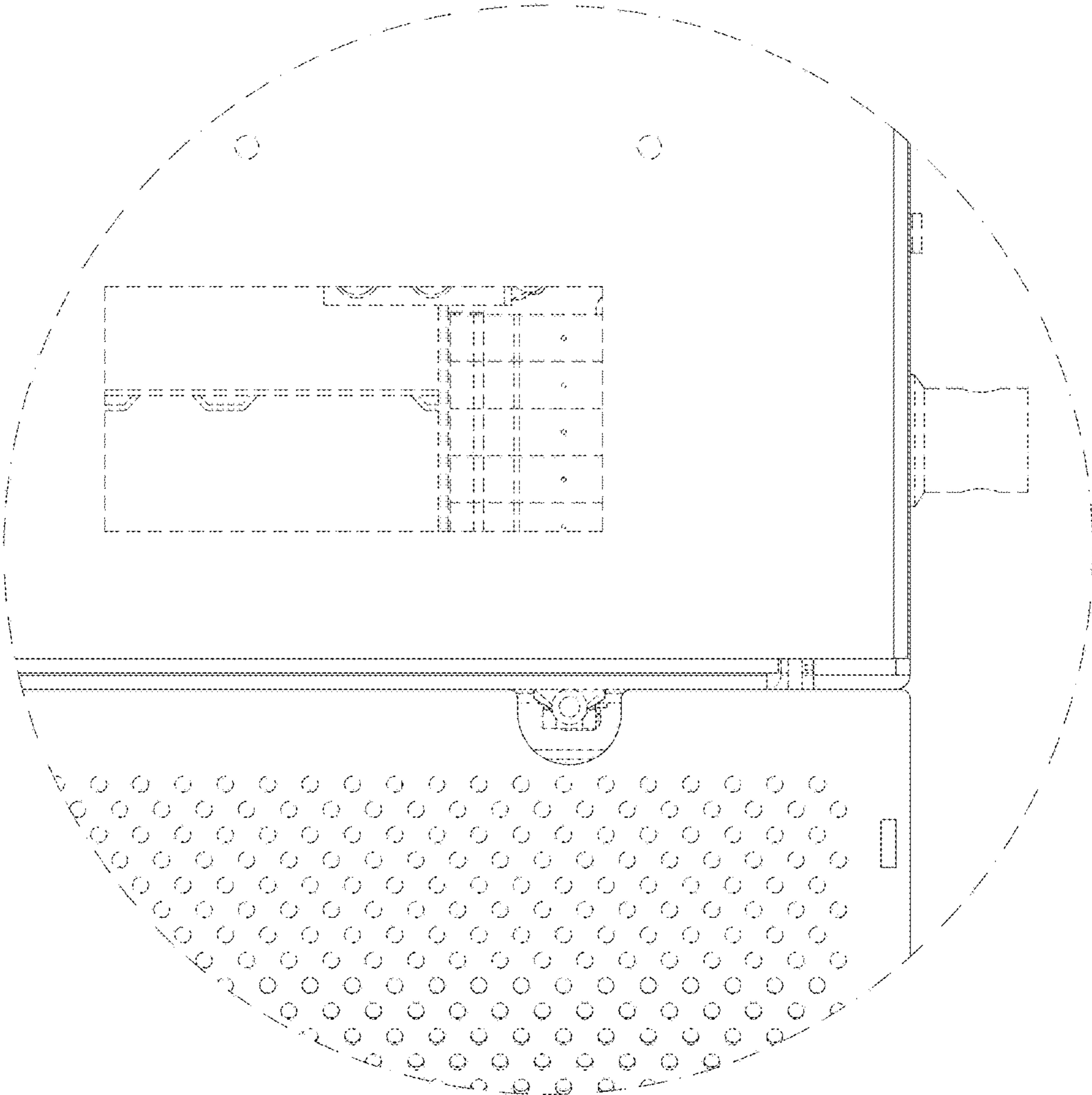


FIG. 11

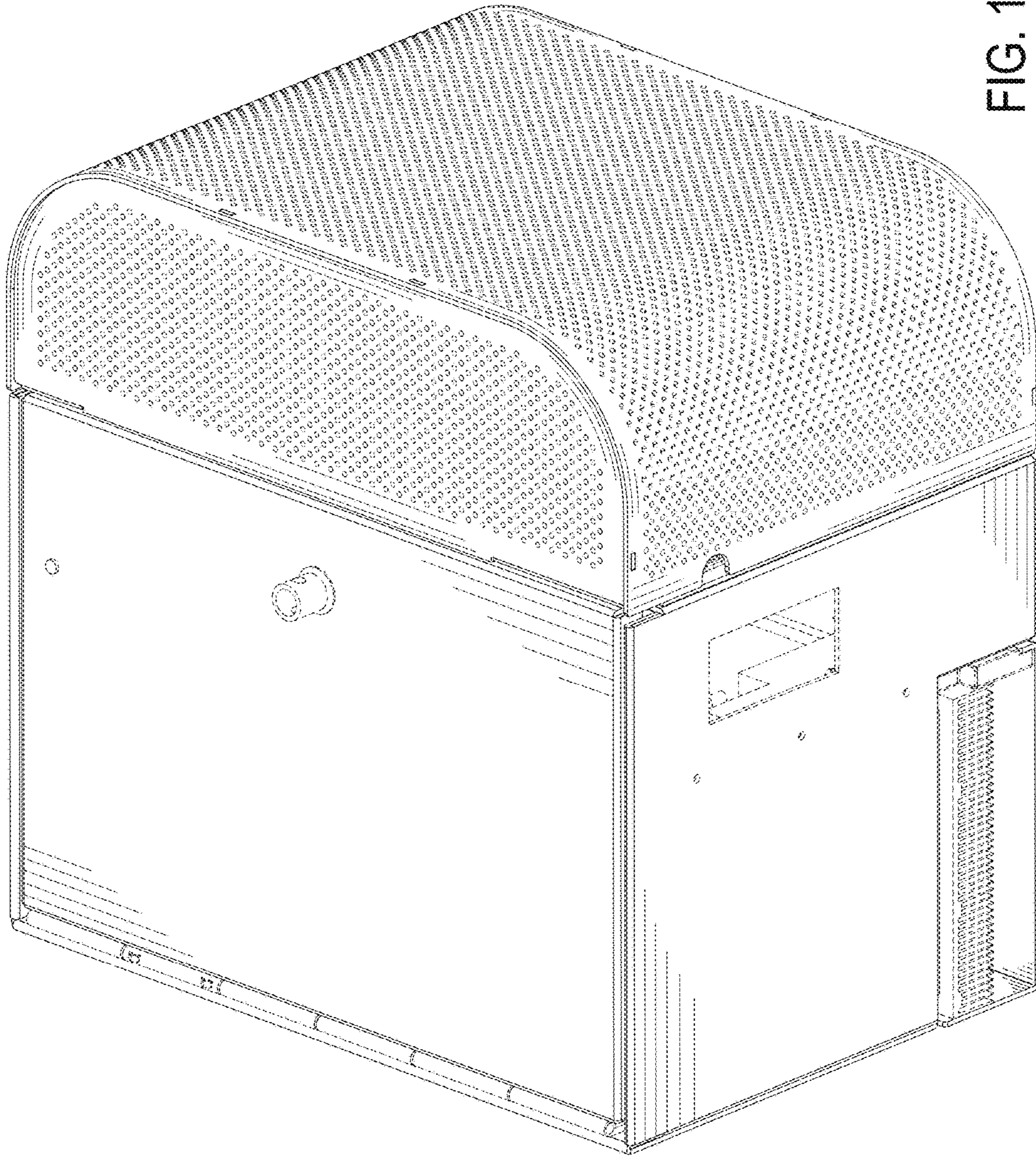


FIG. 12