



US00D795207S

(12) **United States Design Patent** (10) **Patent No.:** **US D795,207 S**
Ishimori et al. (45) **Date of Patent:** **** Aug. 22, 2017**

(54) **LIGHT EMITTING DIODE**

H01L 33/4862; H01L 33/483; H01L 33/486

(71) Applicant: **Panasonic Intellectual Property Management Co., Ltd.**, Osaka (JP)

See application file for complete search history.

(72) Inventors: **Atsuyoshi Ishimori**, Osaka (JP);
Toshifumi Ogata, Osaka (JP); **Toshiaki Kurachi**, Kyoto (JP)

(56) **References Cited**

U.S. PATENT DOCUMENTS

(73) Assignee: **Panasonic Intellectual Property Management Co., Ltd.**, Osaka (JP)

(**) Term: **15 Years**

D637,565 S	5/2011	Wu	D13/180
D682,224 S	5/2013	Sasano	D13/180
D714,236 S	9/2014	Watanabe	D13/180
D727,273 S	4/2015	Oka	D13/180
D727,860 S	4/2015	Watanabe	D13/180
9,146,008 B2	9/2015	Shimozawa	F21K 9/56
9,153,561 B2	10/2015	Sasano	H01L 25/0753
9,243,791 B2	1/2016	Agatani	H01L 25/0753
9,245,873 B2	1/2016	Sasano	H01L 25/0753
D770,987 S *	11/2016	Ishimori	D13/180
2014/0084311 A1	3/2014	Takeda	H01L 25/0753 257/88
2014/0197431 A1	7/2014	Oka	H01L 25/0753 257/88
2014/0286007 A1	9/2014	Oyaizu	F21K 9/00 362/231

(21) Appl. No.: **29/578,457**

(22) Filed: **Sep. 21, 2016**

Related U.S. Application Data

(62) Division of application No. 29/523,266, filed on Apr. 8, 2015, now Pat. No. Des. 770,987.

(Continued)

Primary Examiner — Selina Sikder
(74) *Attorney, Agent, or Firm* — Panasonic IP Management; Kerry S. Culpepper

(30) **Foreign Application Priority Data**

Oct. 17, 2014	(JP)	2014-023296
Oct. 17, 2014	(JP)	2014-023297
Oct. 17, 2014	(JP)	2014-023299
Oct. 17, 2014	(JP)	2014-023300

(57) **CLAIM**

We claim the ornamental design for a light emitting diode, as shown and described.

(51) **LOC (10) Cl.** **13-03**

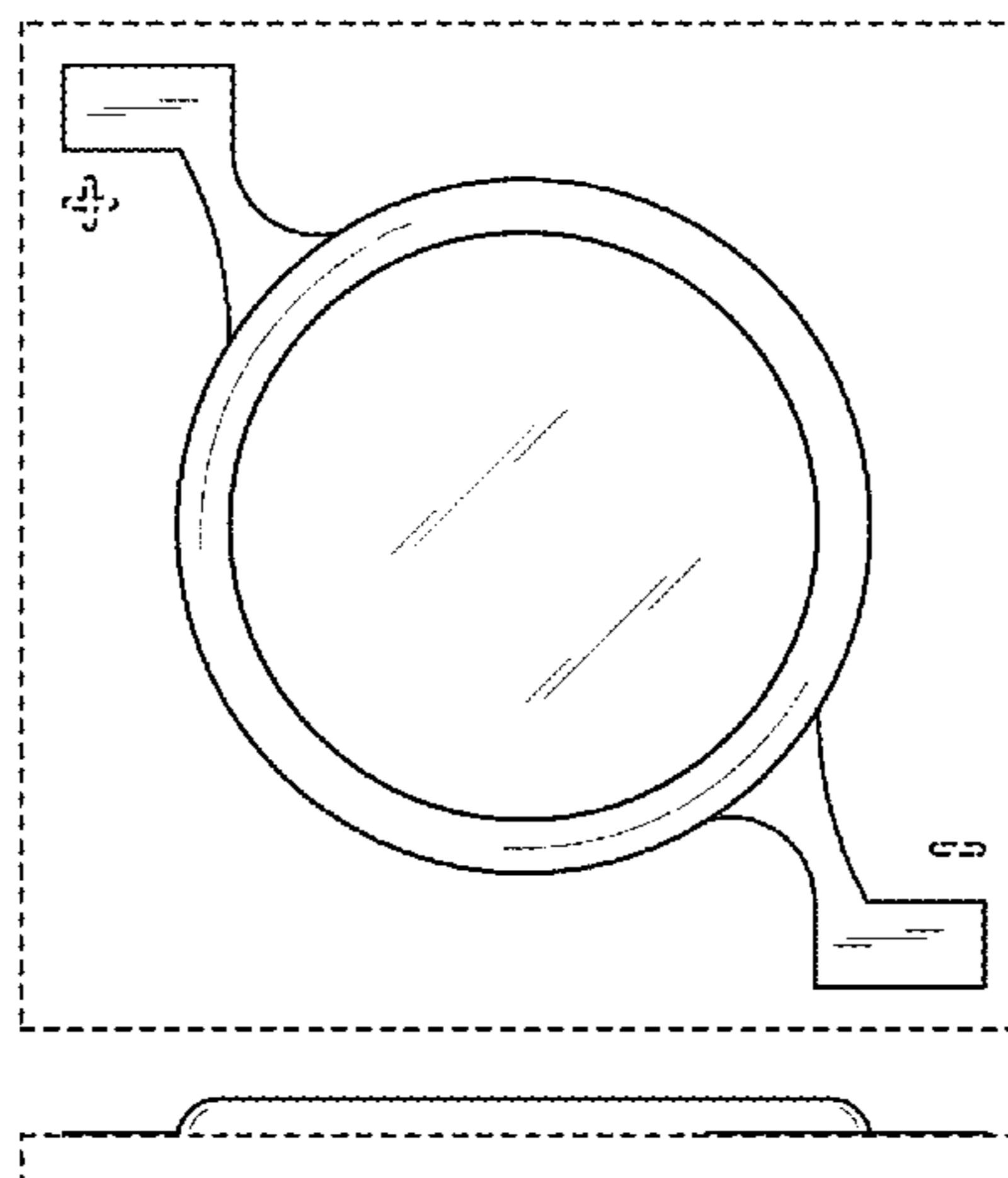
(52) **U.S. Cl.**
USPC **D13/180**

DESCRIPTION

(58) **Field of Classification Search**
USPC D13/180; D26/1
CPC ... H01L 25/167; H01L 25/0753; H01L 27/15;
H01L 27/156; H01L 31/02; H01L 33/00;
H01L 33/04; H01L 33/08; H01L 33/10;
H01L 33/20; H01L 33/38; H01L 33/42;

FIG. 1 is a top view of a light emitting diode of the present invention;
FIG. 2 is a front view thereof;
FIG. 3 is a rear view thereof;
FIG. 4 is a left side view thereof;
FIG. 5 is a right side view thereof; and,
FIG. 6 is a bottom view thereof.

(Continued)



The broken line showing of light emitting diode is included for the purpose of illustrating environment and forms no part of the claimed design.

1 Claim, 6 Drawing Sheets

(56) **References Cited**

U.S. PATENT DOCUMENTS

2014/0291706	A1	10/2014	Lin	H01L 33/52 257/88
2015/0117020	A1	4/2015	Hata	H01L 25/0753 362/294
2015/0137157	A1	5/2015	Chou	H01L 25/0753 257/98
2015/0155457	A1	6/2015	Kawano	H01L 33/60 438/27
2015/0311414	A1	10/2015	Lin	H01L 33/62 257/88
2016/0079492	A1	3/2016	Ishimori	H01L 33/54 257/98
2016/0087178	A1	3/2016	Park	H01L 25/0753 257/88
2016/0091191	A1	3/2016	Matsuda	F21V 19/004 362/382
2016/0111402	A1	4/2016	Sasano	H01L 25/0753 257/88

* cited by examiner

FIG.1

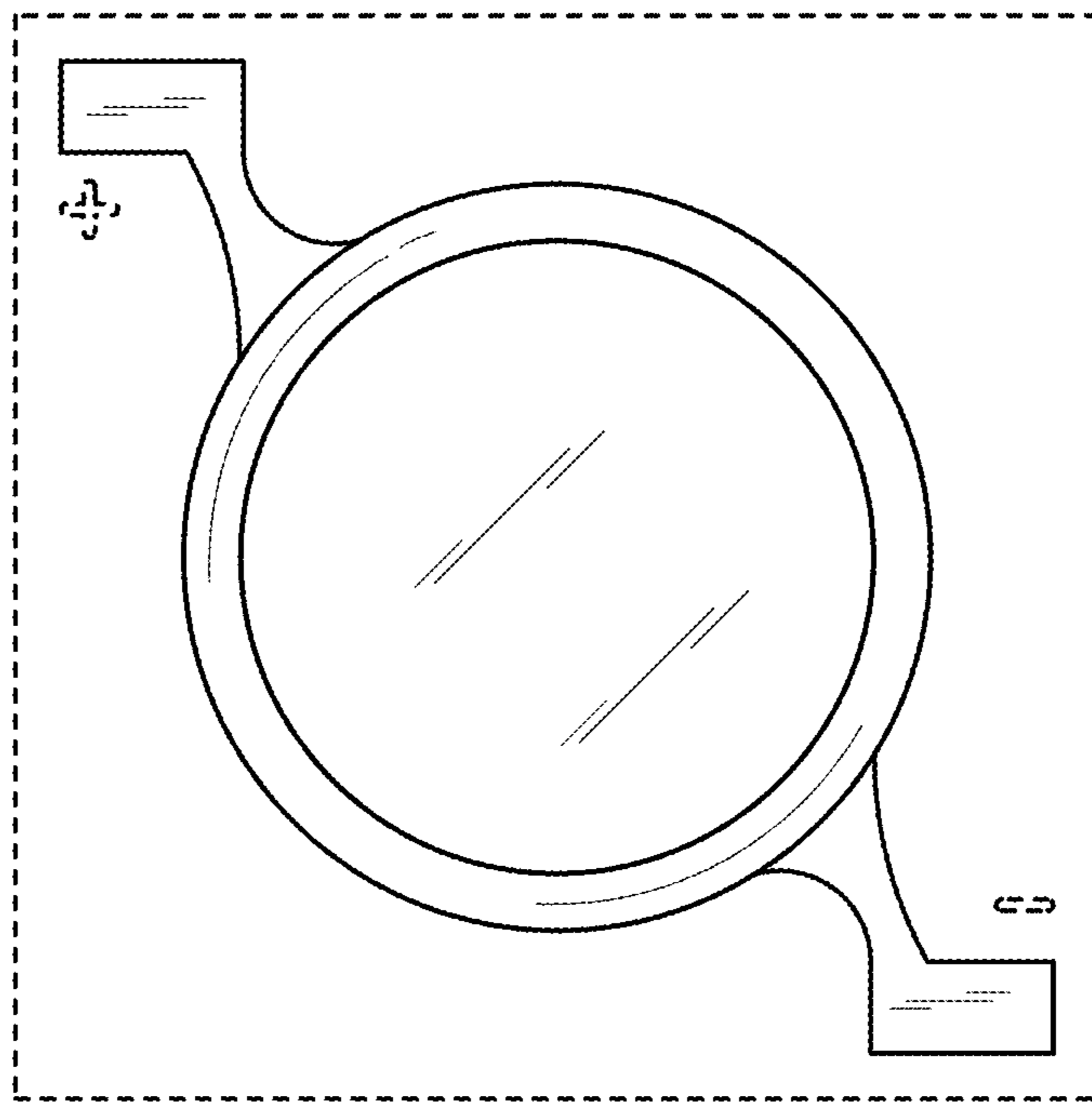


FIG.2

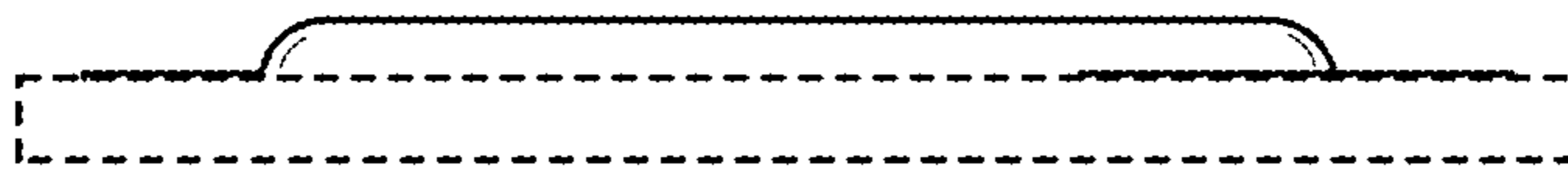


FIG.3

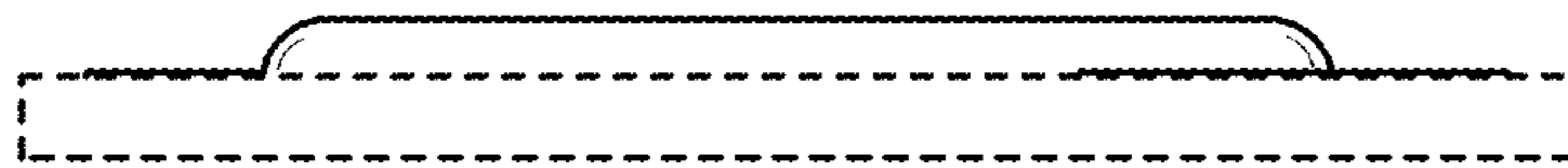


FIG.4

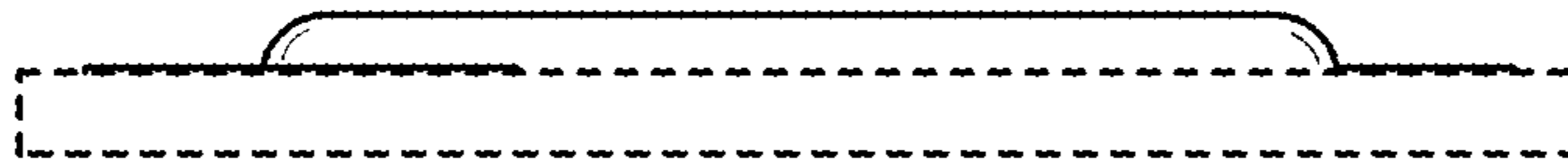


FIG.5



FIG.6

