



US00D795203S

(12) **United States Design Patent** (10) **Patent No.:** **US D795,203 S**
Vasquez et al. (45) **Date of Patent:** **** *Aug. 22, 2017**

- (54) **SPORTS NIGHT SWITCH** 5,660,459 A * 8/1997 Appelberg F21S 8/035
200/310
- (71) Applicants: **Robert Vasquez**, Gilbert, AZ (US); D412,040 S * 7/1999 Hudak D26/85
Brian Freeland, Chandler, AZ (US) D424,722 S * 5/2000 Yuen D26/26
6,355,885 B1 * 3/2002 Rintz H01H 9/18
174/66
- (72) Inventors: **Robert Vasquez**, Gilbert, AZ (US); 6,710,274 B2 * 3/2004 Whetzel H01H 23/14
Brian Freeland, Chandler, AZ (US) 200/330
- (73) Assignee: **SHAWSHANK LEDZ INC.**, Gilbert, D497,681 S * 10/2004 Donnelly D26/26
AZ (US) D535,950 S * 1/2007 Alker D13/162
7,207,687 B1 * 4/2007 Reilly F21S 9/02
362/34
- (*) Notice: This patent is subject to a terminal dis- 7,525,058 B1 * 4/2009 Daffin, III H01H 43/00
claimer. 200/33 R
- (**) Term: **15 Years** D603,809 S * 11/2009 Mathew D13/169
D639,985 S * 6/2011 Stolte D26/26

(Continued)

- (21) Appl. No.: **29/539,312**
- (22) Filed: **Sep. 12, 2015**
- (51) **LOC (10) Cl.** **13-03**
- (52) **U.S. Cl.**
USPC **D13/169**
- (58) **Field of Classification Search**
USPC D13/162, 169; D3/211; D8/353;
D26/26, 72
CPC H01H 9/02; H01H 9/0271; H01H 9/16;
H01H 9/18; H01H 9/161; H01H 9/181;
H01H 9/182; H01H 13/04; H01H 13/14;
H01H 13/20; H01H 13/30; H01H 19/635;
H01H 23/00; H01H 23/02; H01H 23/025;
H01H 23/04; H01H 23/145; H01H
2300/03; H05B 33/0803; H05B 33/0863;
H05B 37/02; H05B 37/0254; H05B
37/0272; H05B 39/02; H05B 39/04;
H05B 39/085; H05B 39/086; H05B
39/088; F21S 8/035
See application file for complete search history.

(56) **References Cited**

U.S. PATENT DOCUMENTS

- 2,512,975 A * 6/1950 Sherrard H01H 23/025
200/315
- 4,009,797 A * 3/1977 Lee H02G 3/14
174/67

Primary Examiner — Selina Sikder
(74) *Attorney, Agent, or Firm* — Raj Abhyanker, P.C.

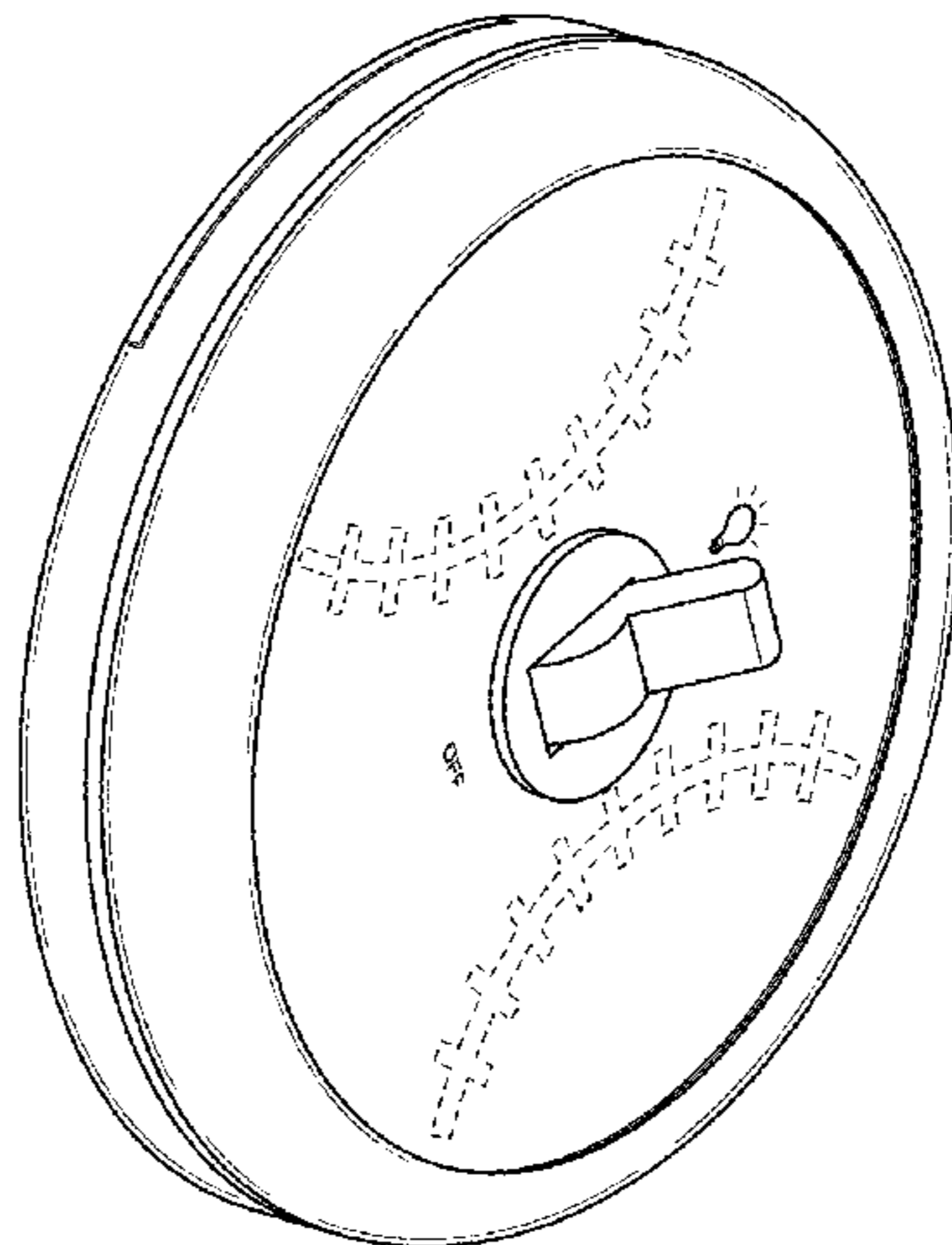
(57) **CLAIM**

The ornamental design for a sports night switch, as shown and described.

DESCRIPTION

FIG. 1 is a perspective view of a sports night switch showing my new design;
 FIG. 2 is a front view thereof;
 FIG. 3 is a rear view thereof;
 FIG. 4 is a left-side view thereof;
 FIG. 5 is a right-side view thereof;
 FIG. 6 is a top view thereof;
 FIG. 7 is a bottom view thereof;
 FIG. 8 is a perspective view of the embodiment of the invention shown in FIG. 1; and,
 FIG. 9 is a perspective view of another embodiment of the invention shown in FIG. 1.
 The broken lines indicate unclaimed portions of the design and form no part of the claimed design.

1 Claim, 6 Drawing Sheets



(56)

References Cited

U.S. PATENT DOCUMENTS

D640,808 S * 6/2011 Weiser D22/120
D640,809 S * 6/2011 Weiser D22/120
D646,006 S * 9/2011 Stolte D26/26
D707,638 S * 6/2014 Bhosale D13/169
8,770,424 B1 * 7/2014 Shaw H02G 3/14
220/242
D725,603 S * 3/2015 Semans D13/156
D730,563 S * 5/2015 Renshaw D26/89
9,022,336 B2 * 5/2015 Huynh A47G 29/10
174/66
2006/0019053 A1 * 1/2006 Jacoby G09F 3/20
428/40.1
2010/0033950 A1 * 2/2010 Farrell F21V 33/0004
362/95
2016/0260569 A1 * 9/2016 Mishra H01F 7/02
2016/0377276 A1 * 12/2016 Furry F21V 23/0471
362/642

* cited by examiner

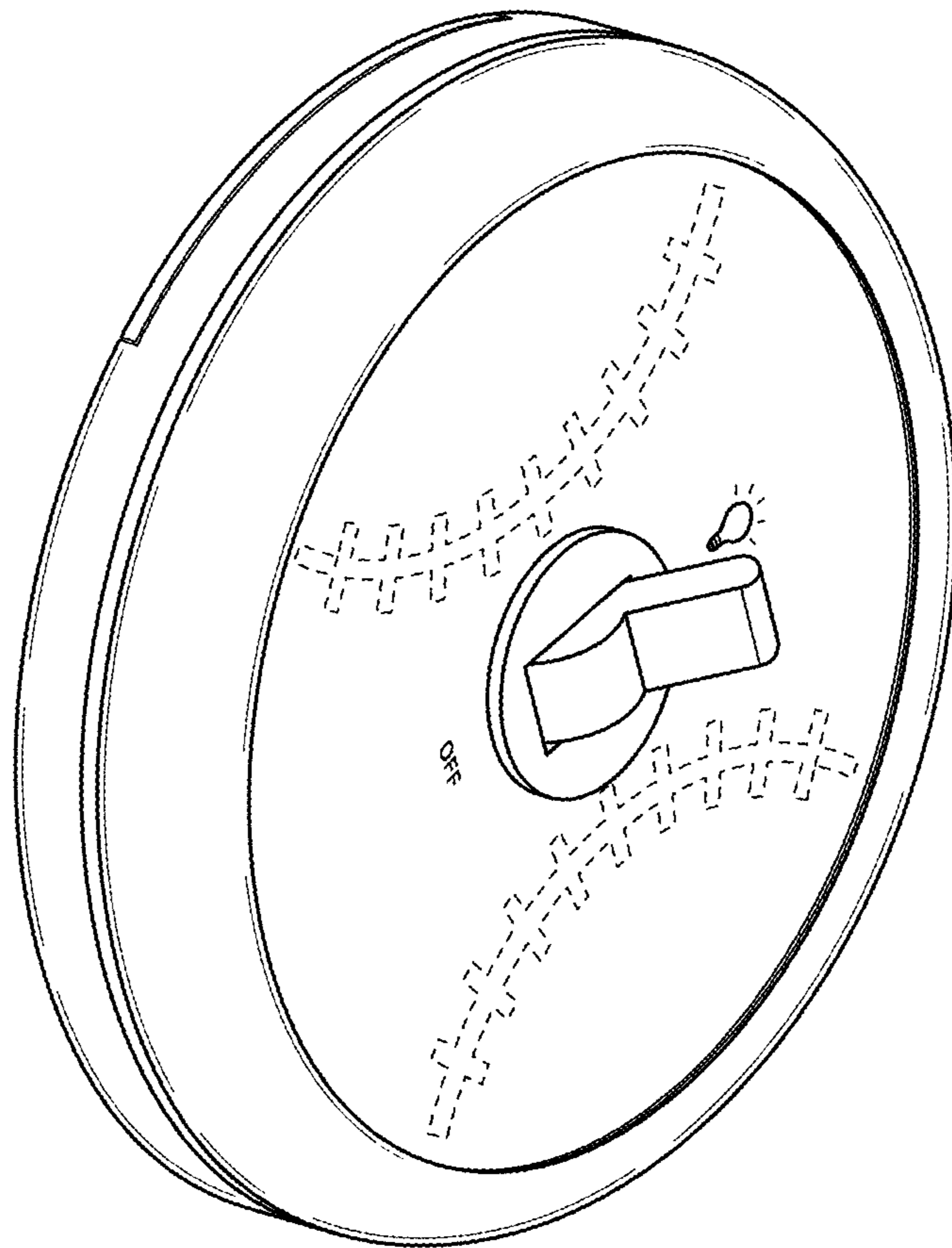


FIG. 1

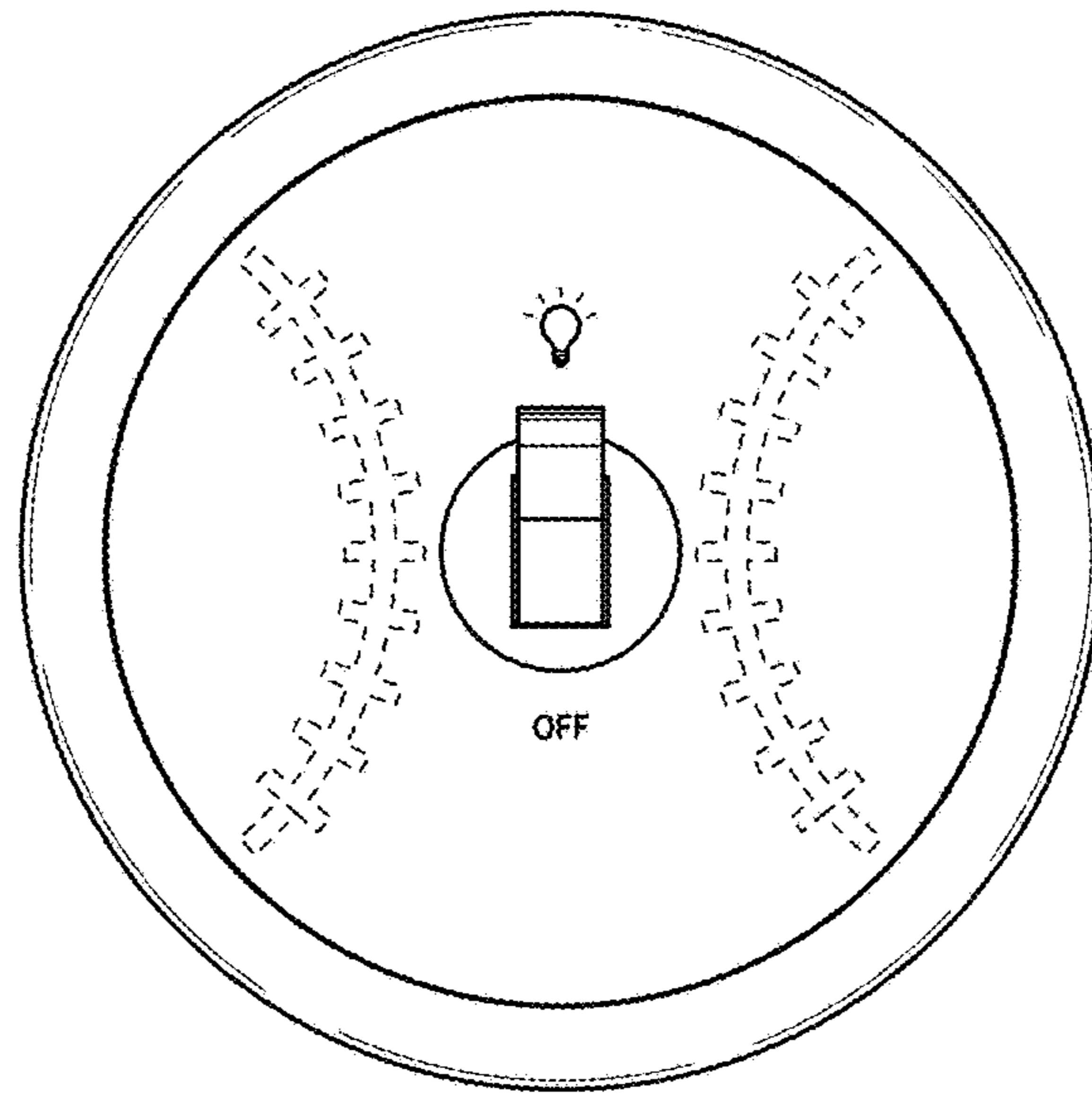


FIG. 2

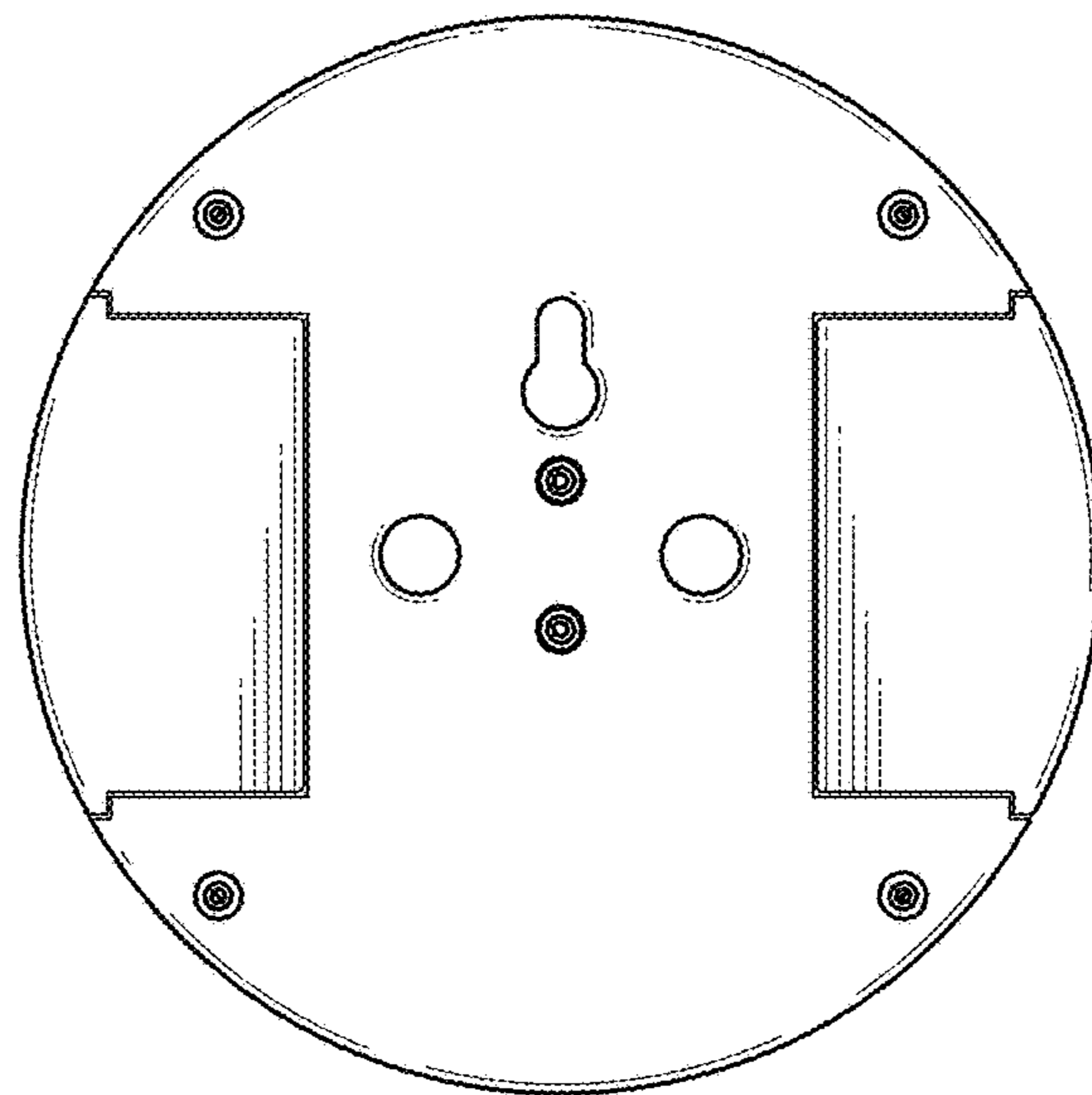


FIG. 3

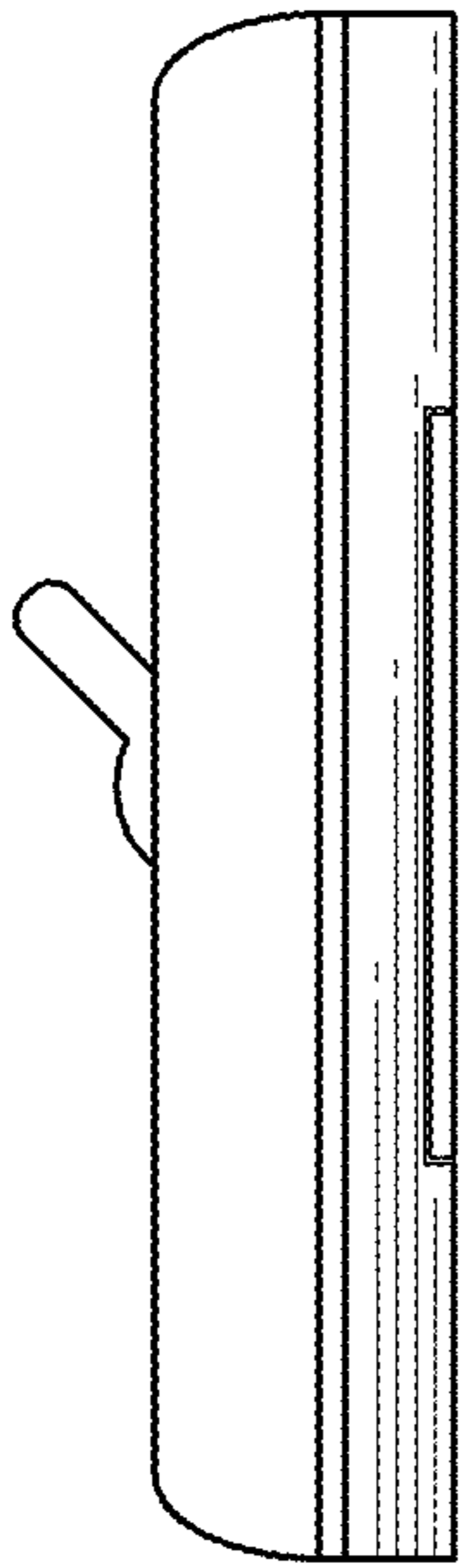


FIG. 4

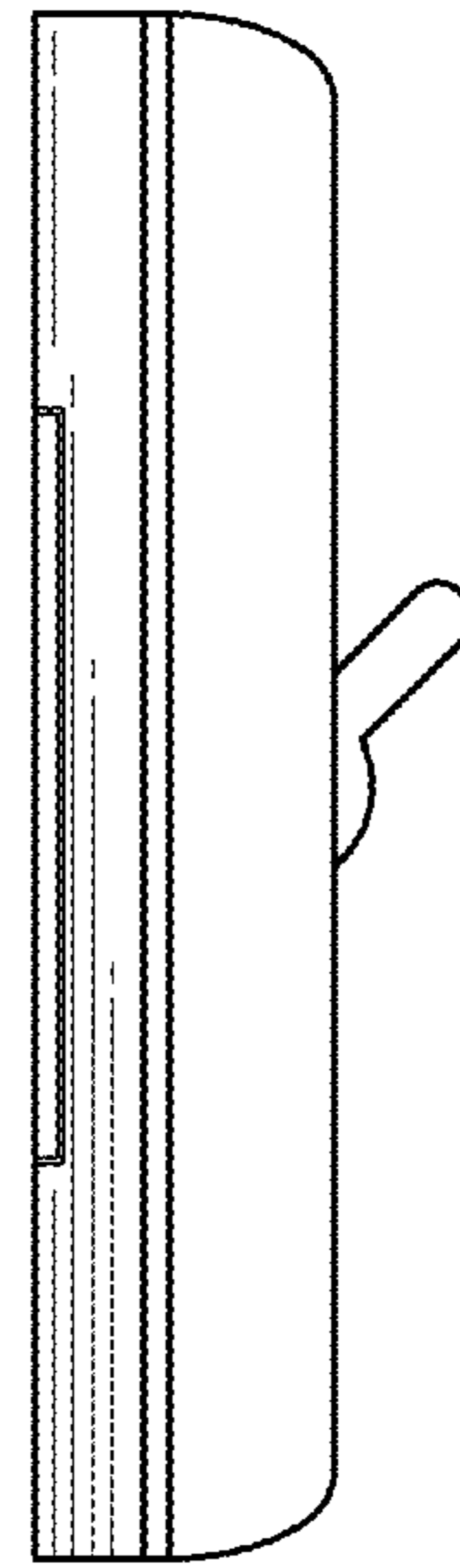


FIG. 5

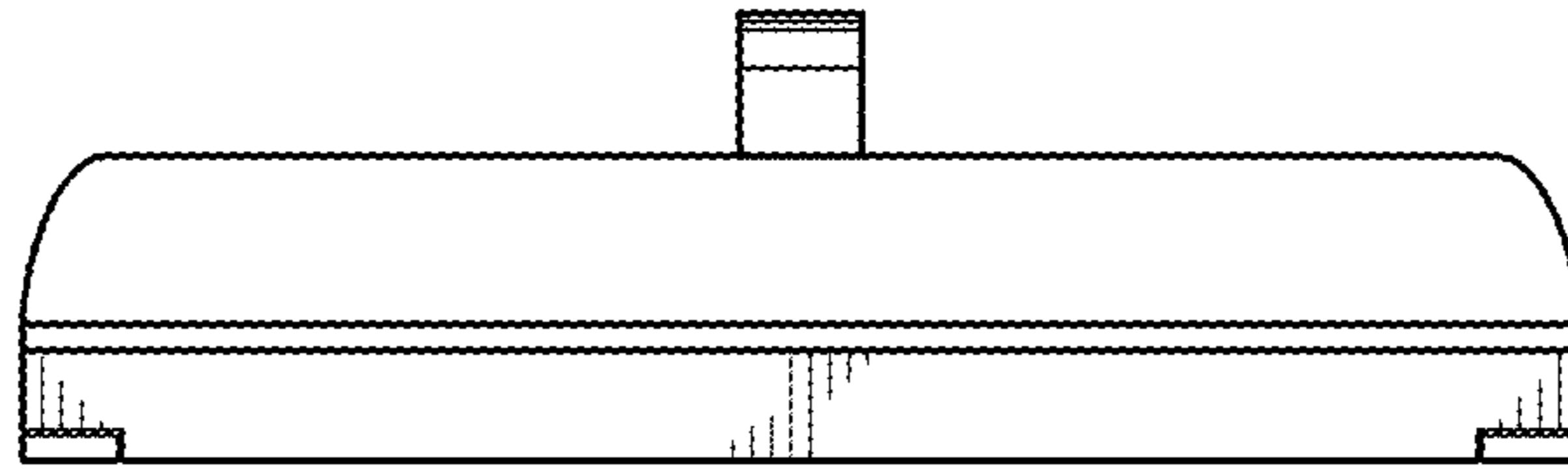


FIG. 6

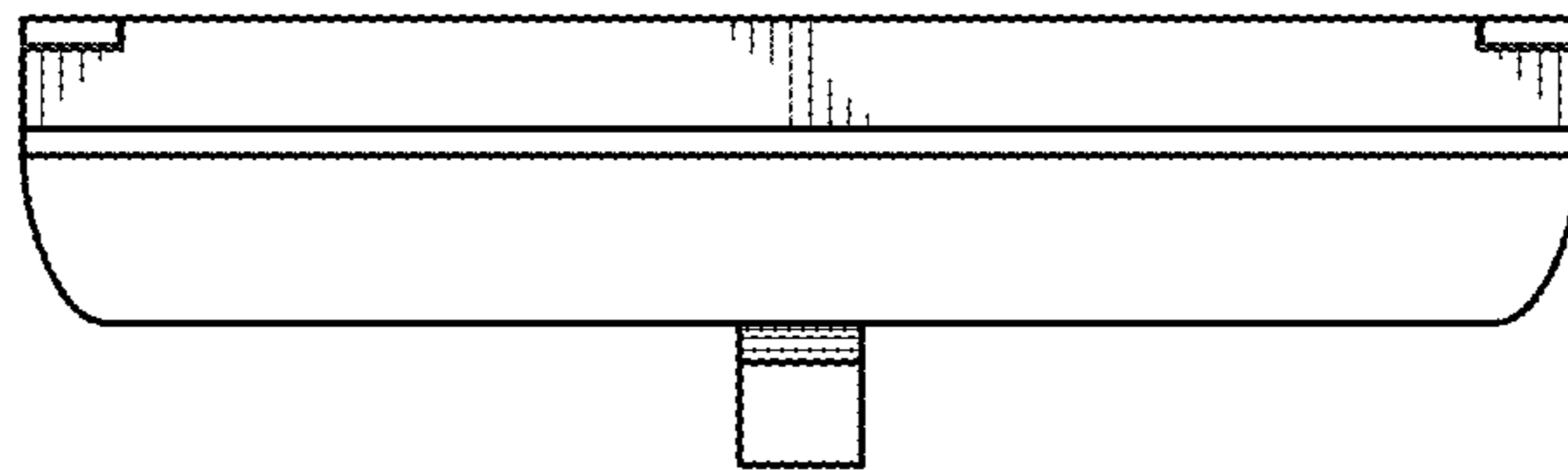


FIG. 7

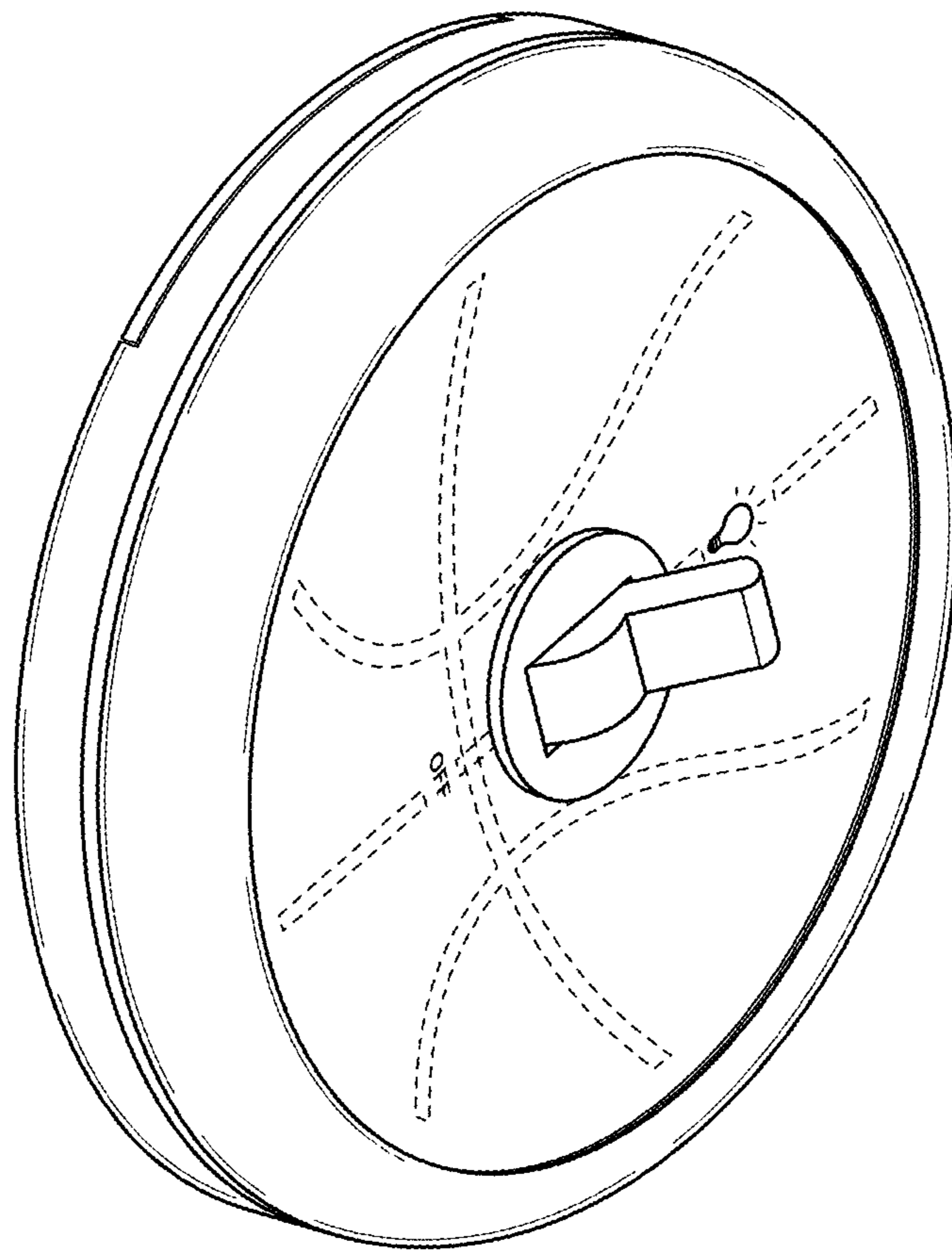


FIG. 8

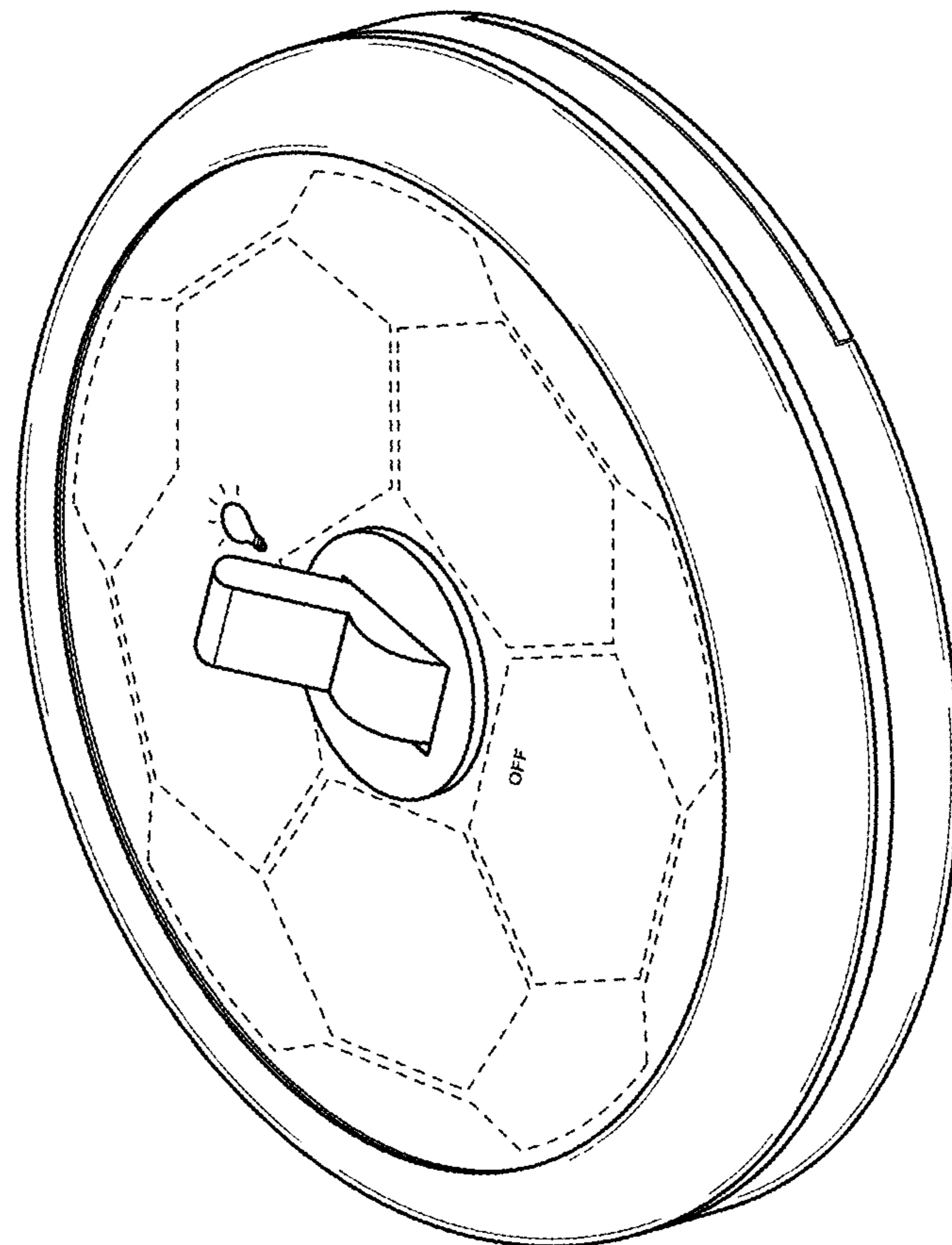


FIG. 9