

US00D795199S

(12) **United States Design Patent** (10) **Patent No.:** **US D795,199 S**  
**Ikeda et al.** (45) **Date of Patent:** **\*\* Aug. 22, 2017**

(54) **RETAINER FOR ELECTRIC CONNECTOR**

(71) Applicant: **Molex, LLC**, Lisle, IL (US)

(72) Inventors: **Makiko Ikeda**, Yamato (JP);  
**Kazushige Asakawa**, Yokohama (JP)

(73) Assignee: **Molex, LLC**, Lisle, IL (US)

(\*\*) Term: **15 Years**

(21) Appl. No.: **29/505,596**

(22) Filed: **Dec. 23, 2015**

**Related U.S. Application Data**

(63) Continuation of application No. 29/503,268, filed on Sep. 24, 2014, now abandoned.

(30) **Foreign Application Priority Data**

Mar. 25, 2014 (JP) ..... 2014-006284

(51) **LOC (10) Cl.** ..... **13-03**

(52) **U.S. Cl.**  
USPC ..... **D13/154**

(58) **Field of Classification Search**  
USPC ..... D13/133, 146, 147, 154, 184, 199  
CPC ..... H01R 12/00; H01R 24/00; H01R 12/71;  
H01R 12/716; H01R 13/502; H01R  
13/631; H01R 13/633

See application file for complete search history.

(56) **References Cited**

**U.S. PATENT DOCUMENTS**

D317,901 S	7/1991	Makita et al.	
D335,649 S	5/1993	Ogawa	
5,274,918 A *	1/1994	Reed	H01R 29/00 264/263
D463,370 S	9/2002	Chen	
D475,022 S	5/2003	Kihira	

6,767,259 B2	7/2004	Kojima	
D494,545 S	8/2004	Kuroda	
D515,506 S	2/2006	Takaya et al.	
D523,399 S	6/2006	Sakamaki et al.	
D527,705 S	9/2006	Takaya et al.	
D527,706 S	9/2006	Takaya	
D592,150 S	5/2009	Ogata	
D605,133 S	12/2009	Tanaka et al.	
7,856,712 B2	12/2010	Busies	
D652,387 S	1/2012	Ohkuma	
D668,621 S	10/2012	Gieski	
D719,098 S	12/2014	Endo et al.	
D723,475 S	3/2015	Chen	
9,118,131 B2	8/2015	Jakoplic	
D750,030 S *	2/2016	Zerebilov	D13/154
D762,587 S	8/2016	Ebisawa	
D777,113 S *	1/2017	Haley	D13/154
2006/0228912 A1 *	10/2006	Morlion	H01R 23/688 439/65
2012/0202363 A1 *	8/2012	McNamara	H01R 13/6461 439/74
2014/0141662 A1	5/2014	Kutsuna	

(Continued)

*Primary Examiner* — Daniel Bui

(74) *Attorney, Agent, or Firm* — James A. O'Malley

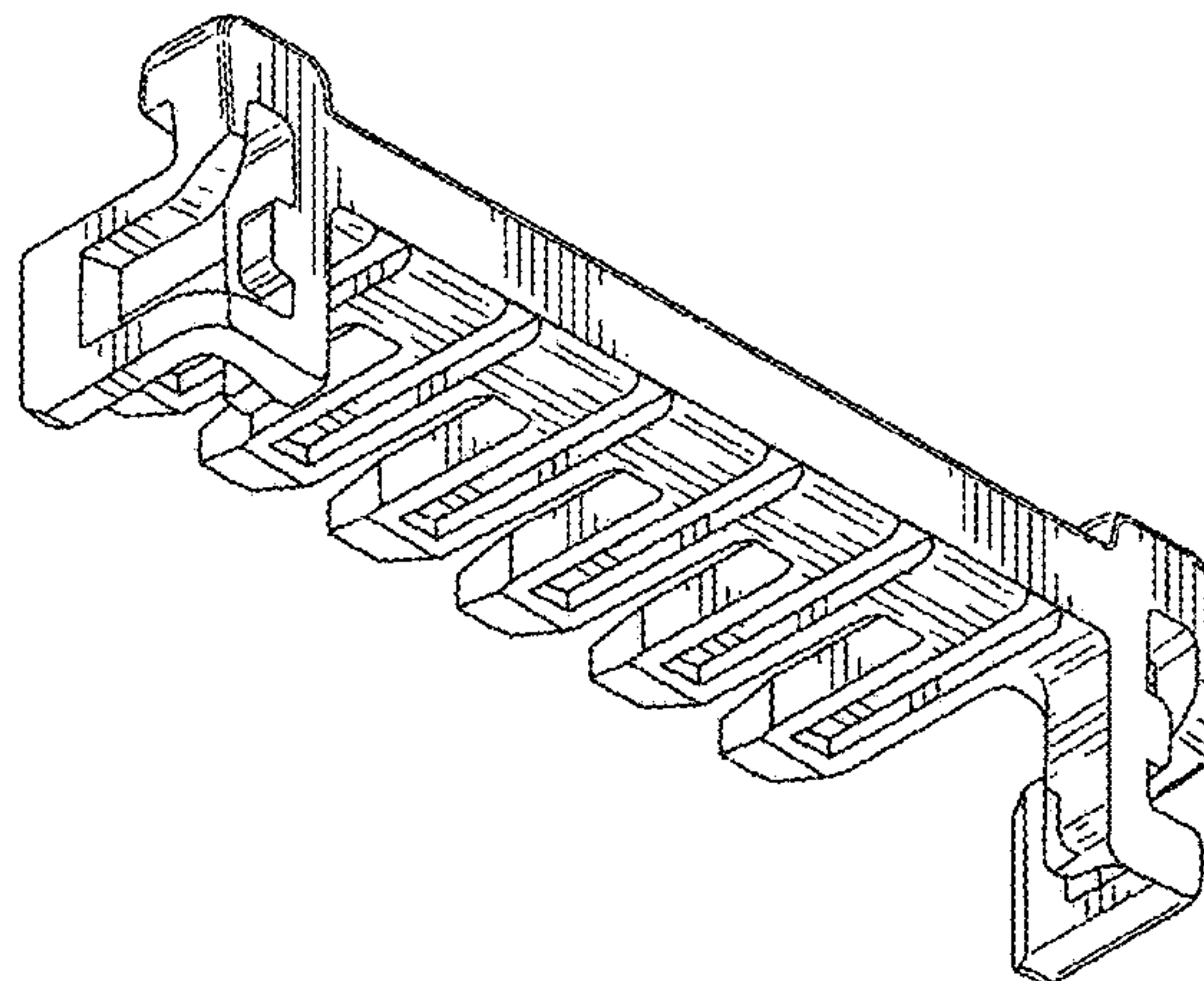
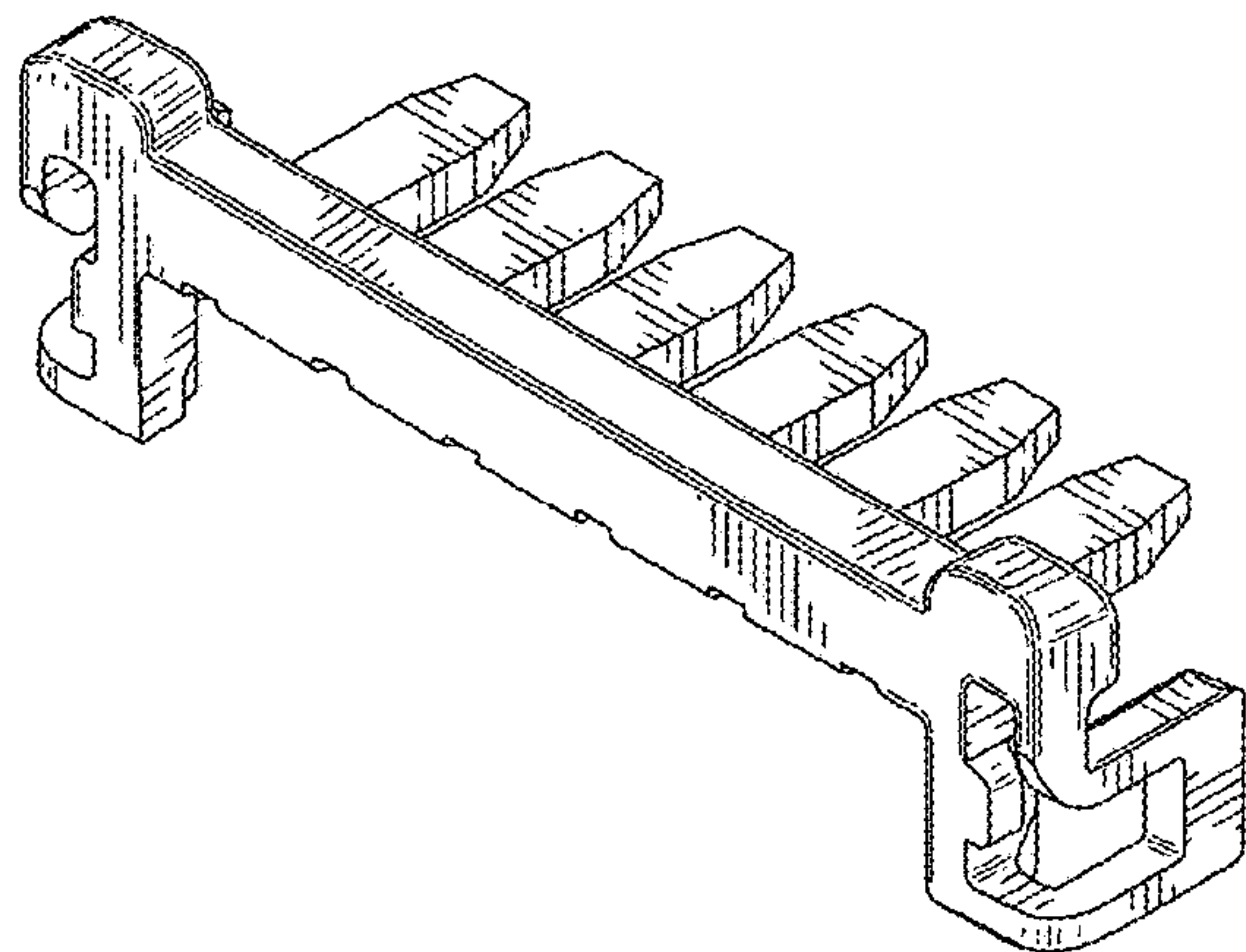
(57) **CLAIM**

The ornamental design for a retainer for electric connector, as shown and described.

**DESCRIPTION**

FIG. 1 is a top perspective view of a retainer for electric connector showing our new design;  
FIG. 2 is a bottom perspective view thereof;  
FIG. 3 is a front plan view thereof;  
FIG. 4 is a rear plan view thereof;  
FIG. 5 is a top plan view thereof;  
FIG. 6 is a bottom plan view thereof;  
FIG. 7 is a first side plan view thereof; and,  
FIG. 8 is a second side plan view thereof.

**1 Claim, 7 Drawing Sheets**



(56)

**References Cited**

U.S. PATENT DOCUMENTS

2014/0315417 A1 10/2014 Wada  
2015/0229092 A1 8/2015 Kubodera  
2015/0244106 A1 8/2015 Miyakawa

\* cited by examiner

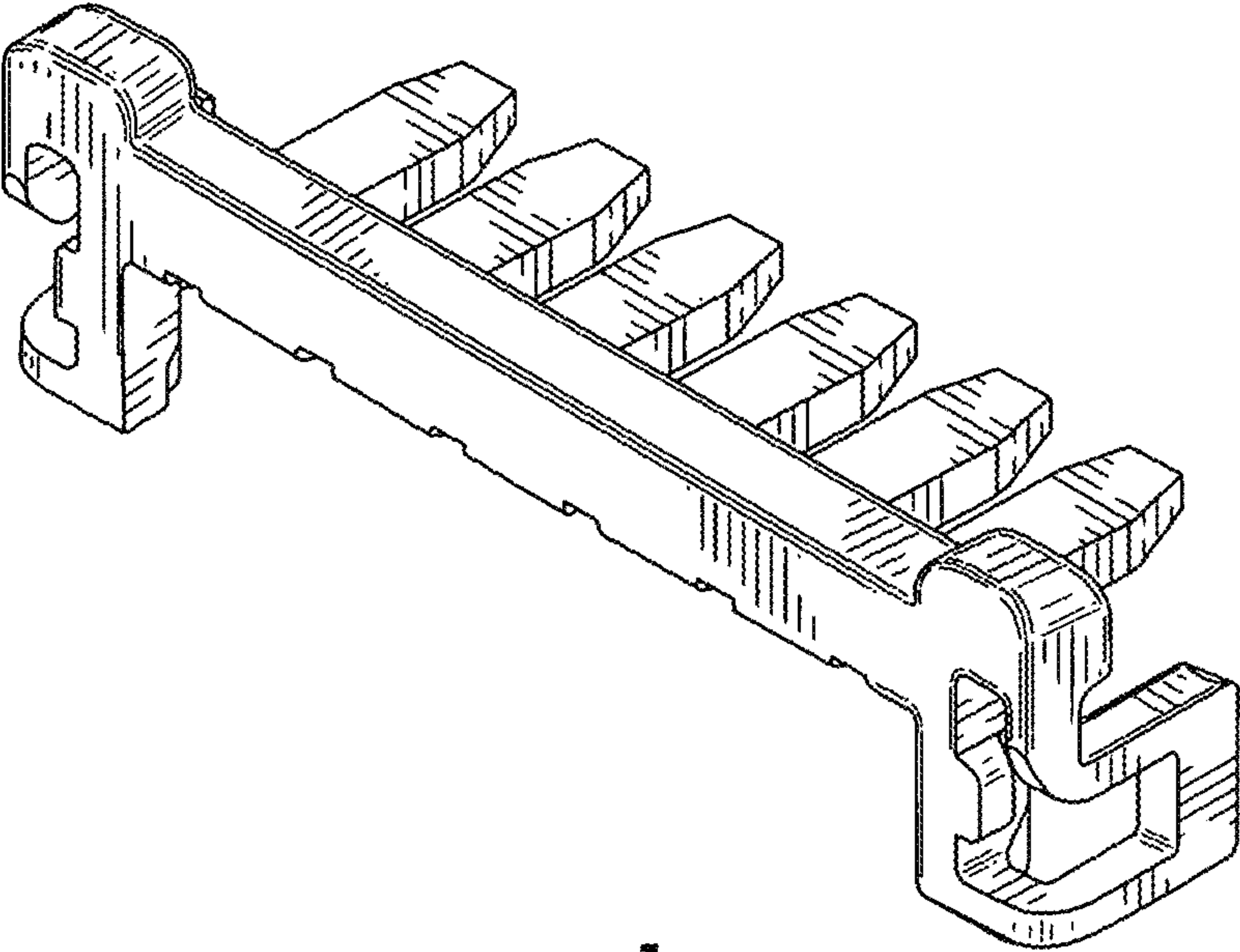


FIG. 1

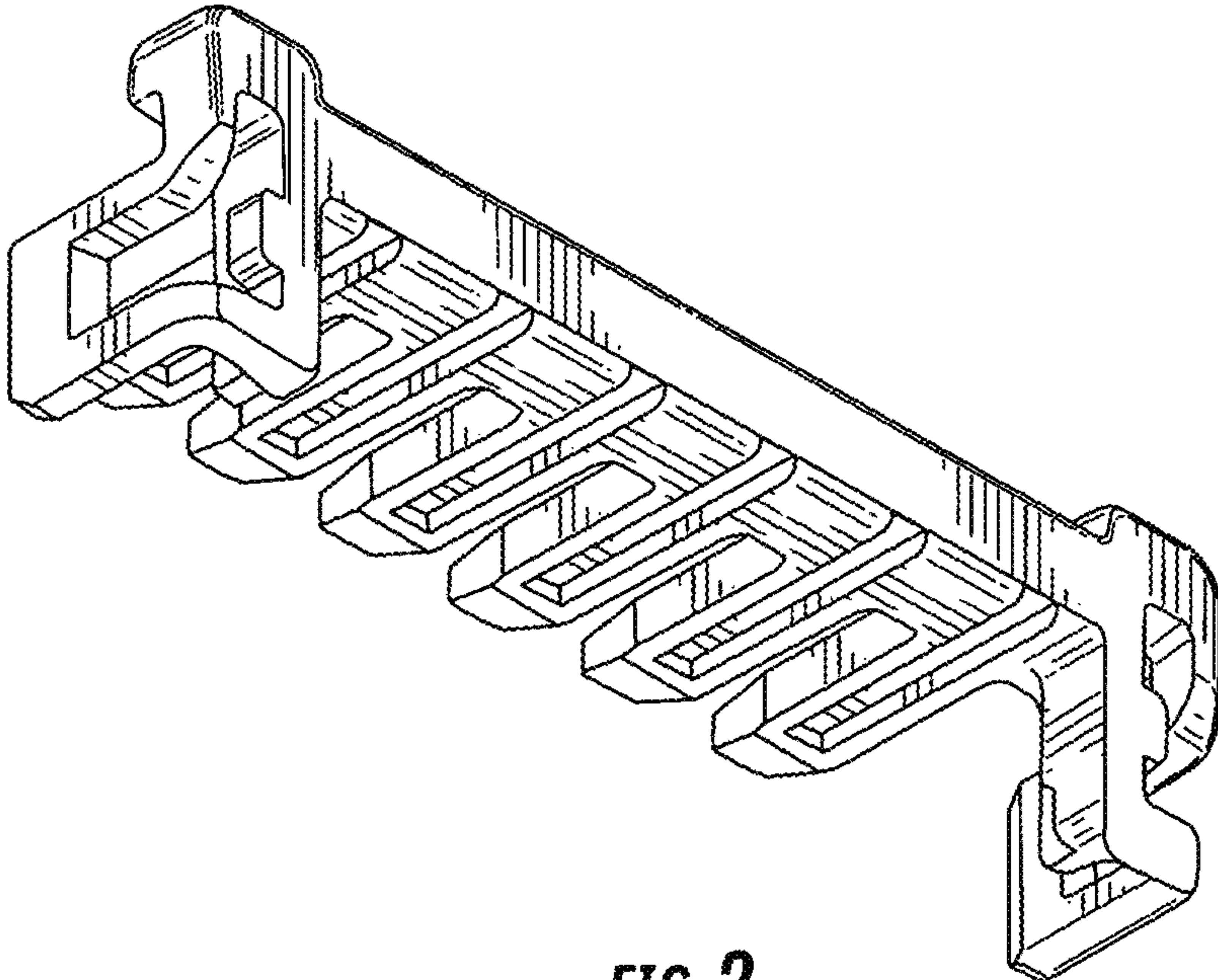


FIG. 2

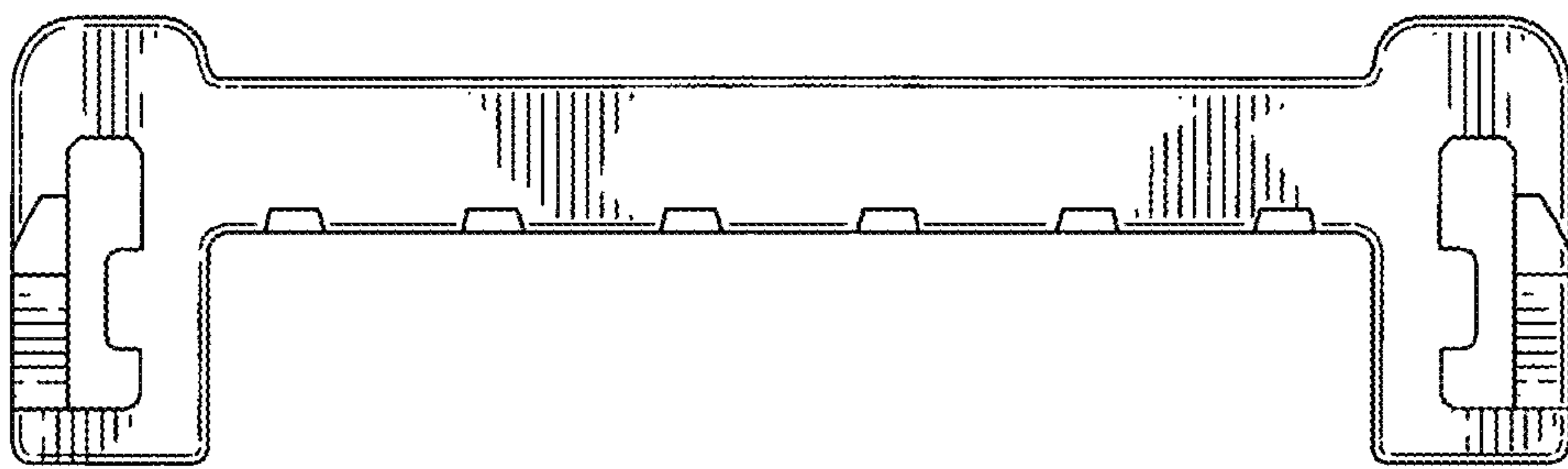


FIG. 3

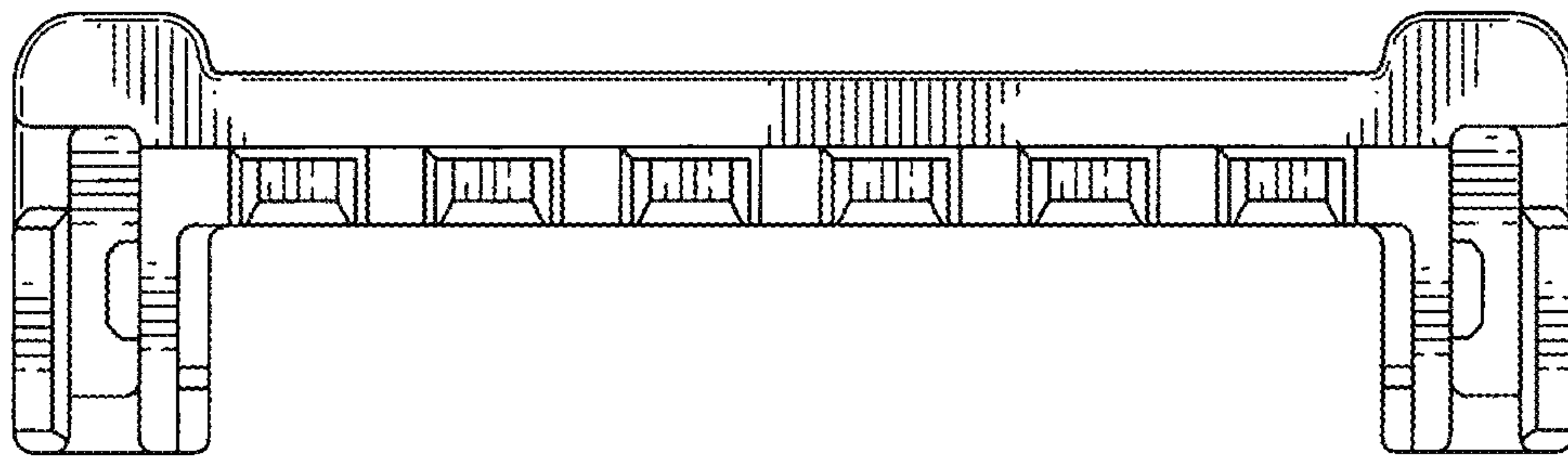
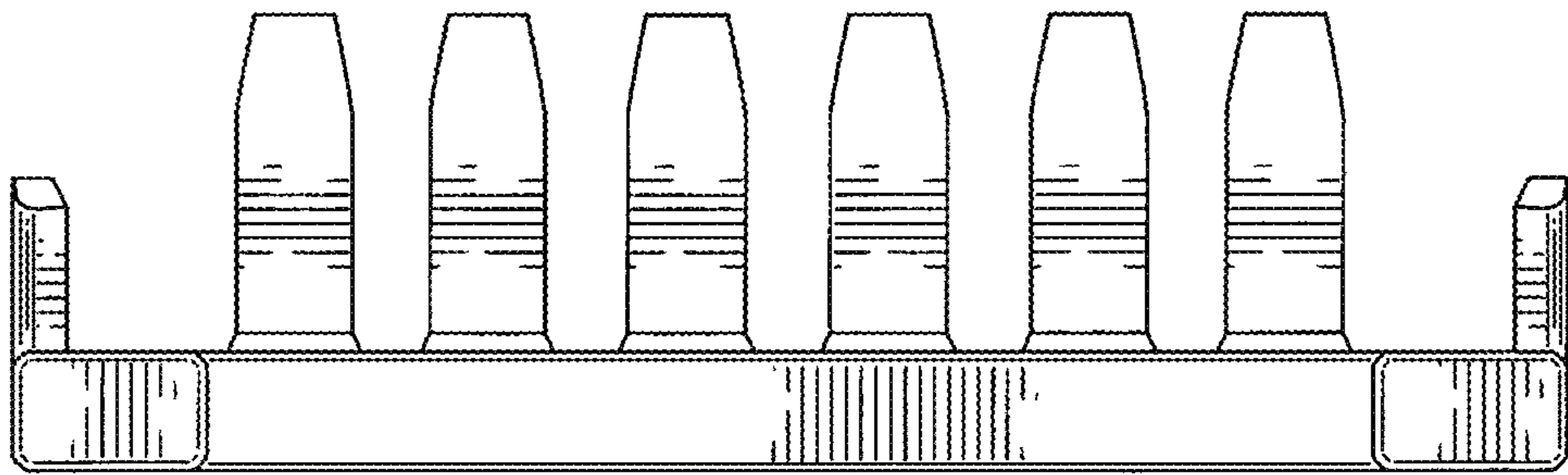


FIG. 4





**FIG. 5**

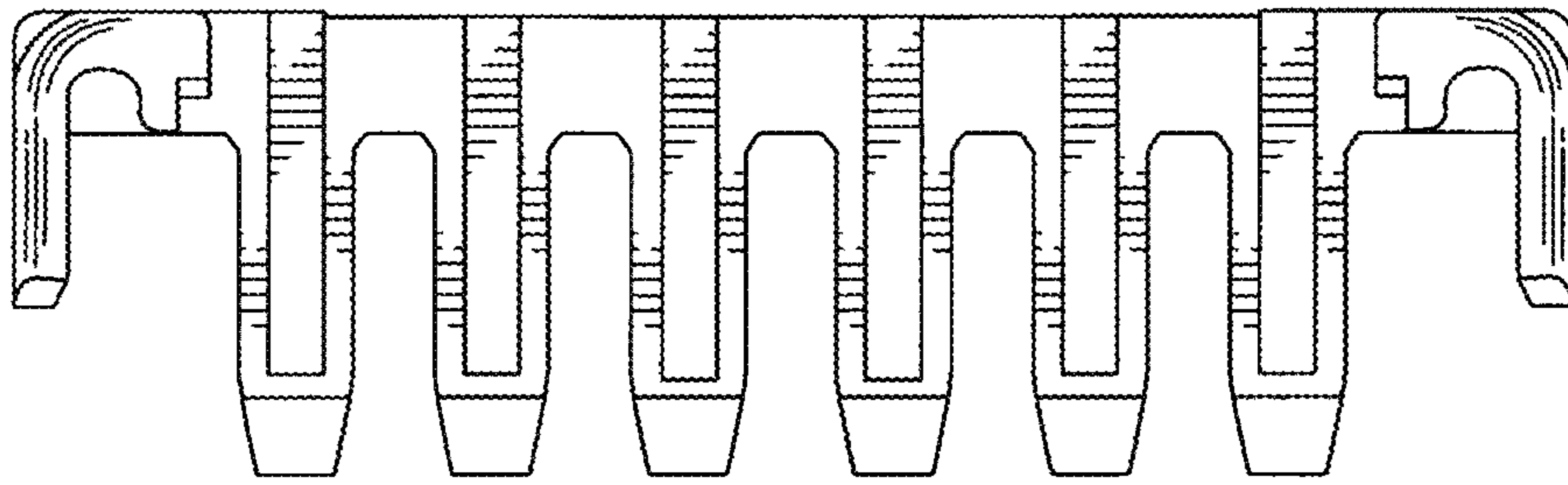


FIG. 6



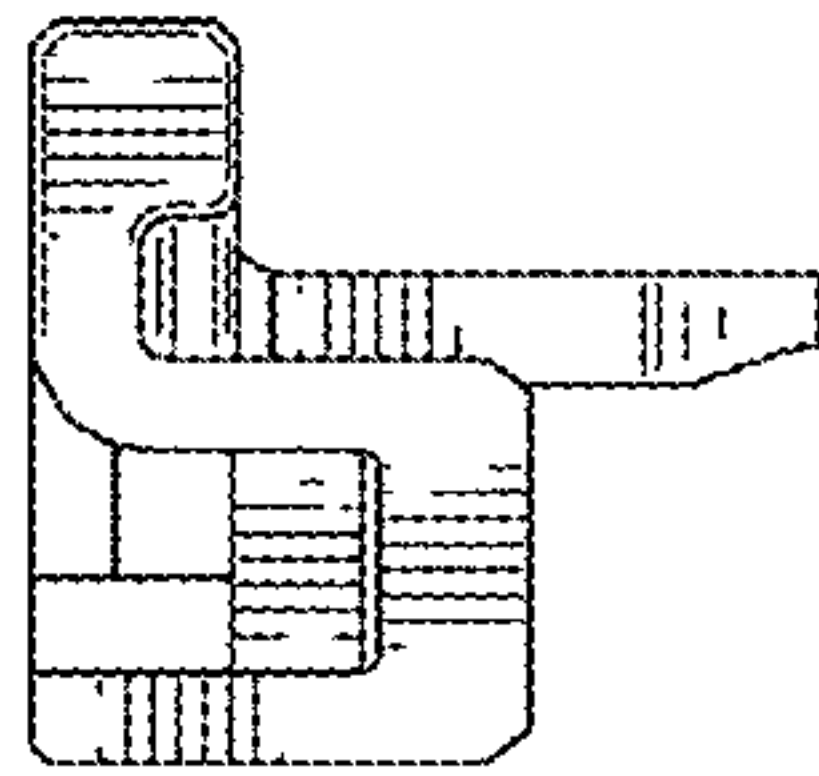


FIG. 7

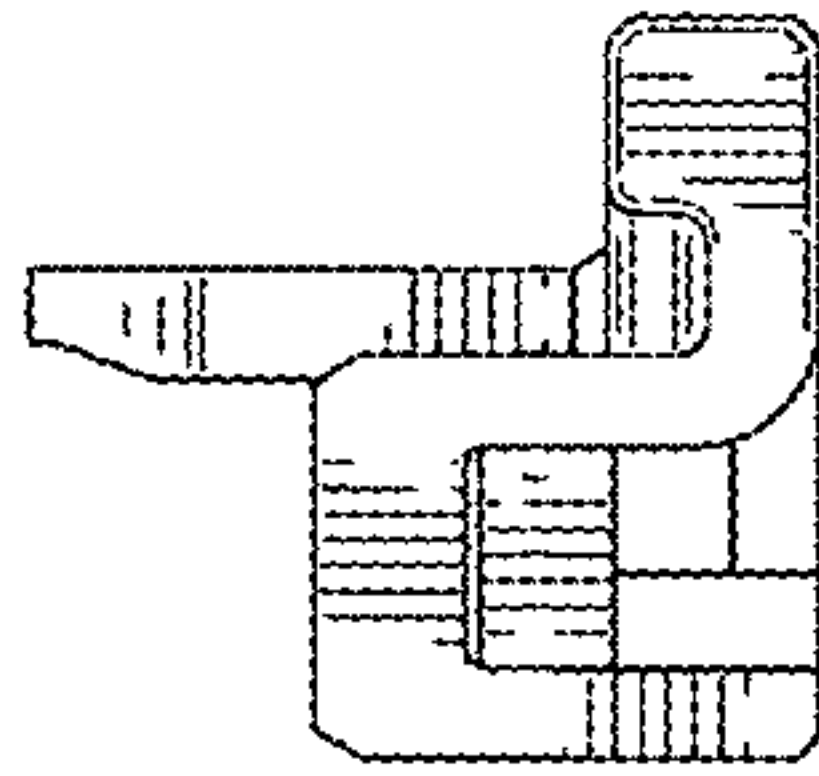


FIG. 8