



US00D795194S

(12) **United States Design Patent** (10) **Patent No.:** **US D795,194 S**
Knight et al. (45) **Date of Patent:** **** Aug. 22, 2017**

(54) **HOUSING FOR CONNECTOR PLUG**
(71) Applicant: **UCB Biopharma SPRL**, Brussels (BE)
(72) Inventors: **Barry Alan Knight**, Slough (GB);
Oliver Frederik Stumpp, Bulle (CH)
(73) Assignee: **UCB Biopharma SPRL**, Brussels (BE)
(**) Term: **15 Years**
(21) Appl. No.: **29/554,865**

(22) Filed: **Feb. 16, 2016**
(51) **LOC (10) Cl.** **13-03**
(52) **U.S. Cl.**
USPC **D13/133**

(58) **Field of Classification Search**
USPC D13/107, 108, 110, 118, 123, 133, 134,
D13/137.2, 137.3, 139.1, 139.2, 146, 147,
D13/148, 149, 150, 151, 152, 154, 156,
D13/158, 159, 162, 173, 179, 184, 199;
D10/105, 106.2, 106.5, 106.6, 106.8,
D10/114.8; D15/138; D21/464; D26/26,
D26/85; D28/8
CPC H01R 9/2408; H01R 13/24; H01R 13/72;
H01R 27/00; H01R 12/718; H01R 12/88;
H01R 12/89; H01R 13/5205; H01R
13/5221; H01R 13/5816; H01R 13/582;
H01R 13/5825; H01R 13/5829; H01R
13/5833; H01R 13/6275; H01R 13/6589;
H01R 13/743; H01R 13/745; H01R
23/727; H01R 31/06; H01R 31/065; H02J
7/0042; G02B 6/1228

See application file for complete search history.

(56) **References Cited**
U.S. PATENT DOCUMENTS

D346,170 S * 4/1994 Tang D14/230
D453,329 S * 2/2002 Muramatsu D14/230

D507,569 S * 7/2005 Tagliabue D14/356
D513,231 S * 12/2005 Han D13/147
D516,031 S * 2/2006 Han D13/147
D591,678 S * 5/2009 Whitley D13/133
D633,442 S * 3/2011 Charleux D13/110
D634,268 S * 3/2011 Reishus D13/108
D659,093 S * 5/2012 Schmid D13/108
D667,160 S * 9/2012 van Klinken D26/87
D678,285 S * 3/2013 Chen D14/433
D717,484 S * 11/2014 Rozot D26/85
2016/0276856 A1 * 9/2016 Miller H02J 7/0042

OTHER PUBLICATIONS

4-1/2" 4.5 inch LED Passing Light, posted at Amazon.com, posted on Jan. 7, 2016, [online], [site visited Apr. 10, 2017]. Available from Internet, <<https://www.amazon.com/Davidson-Auxiliary-Motorcycle-Projector-Headlight/dp/B013OVKT8E>>.*

(Continued)

Primary Examiner — Thomas Johannes
Assistant Examiner — Catherine Ho
(74) *Attorney, Agent, or Firm* — EIP US LLP

(57) **CLAIM**

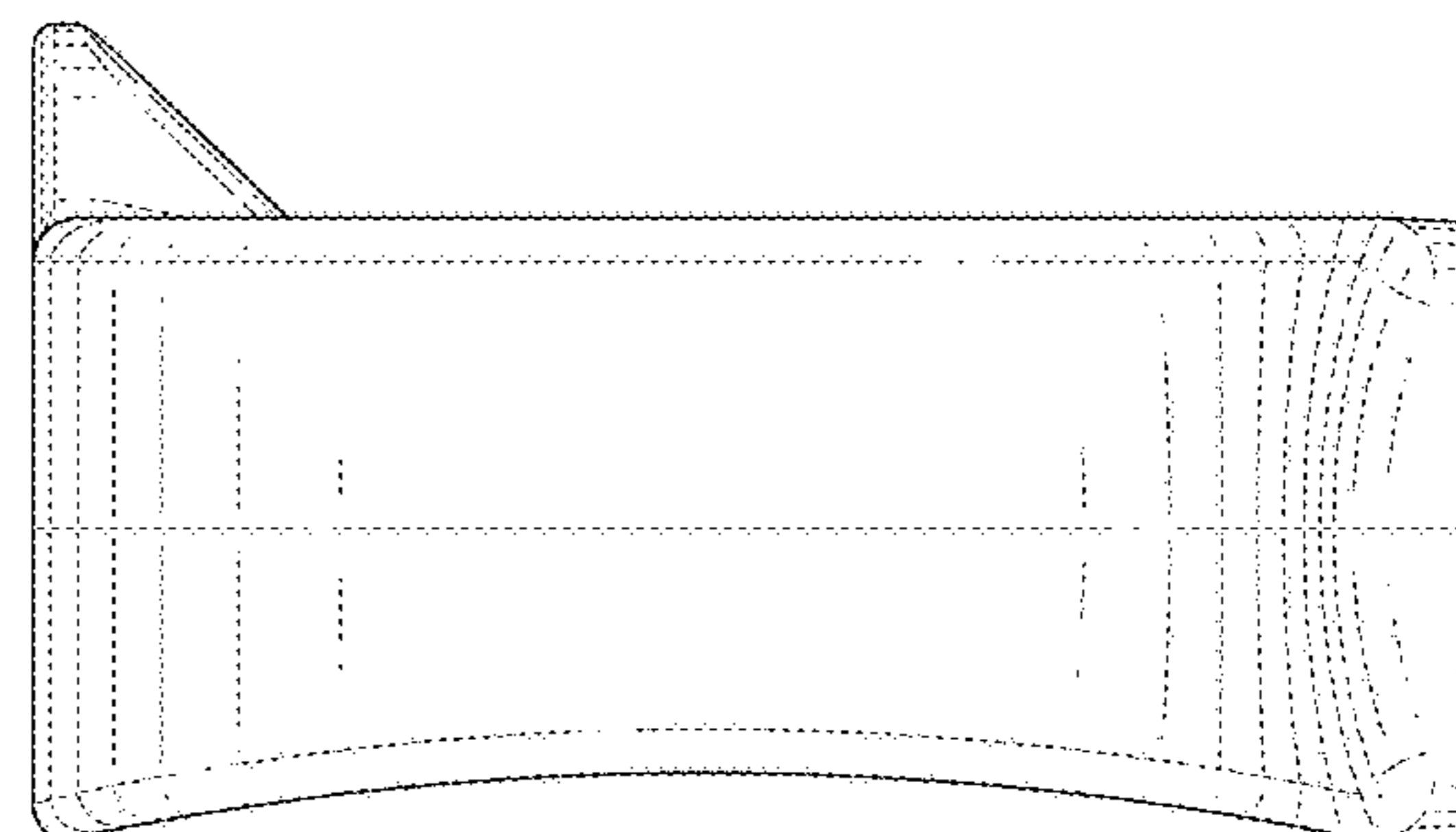
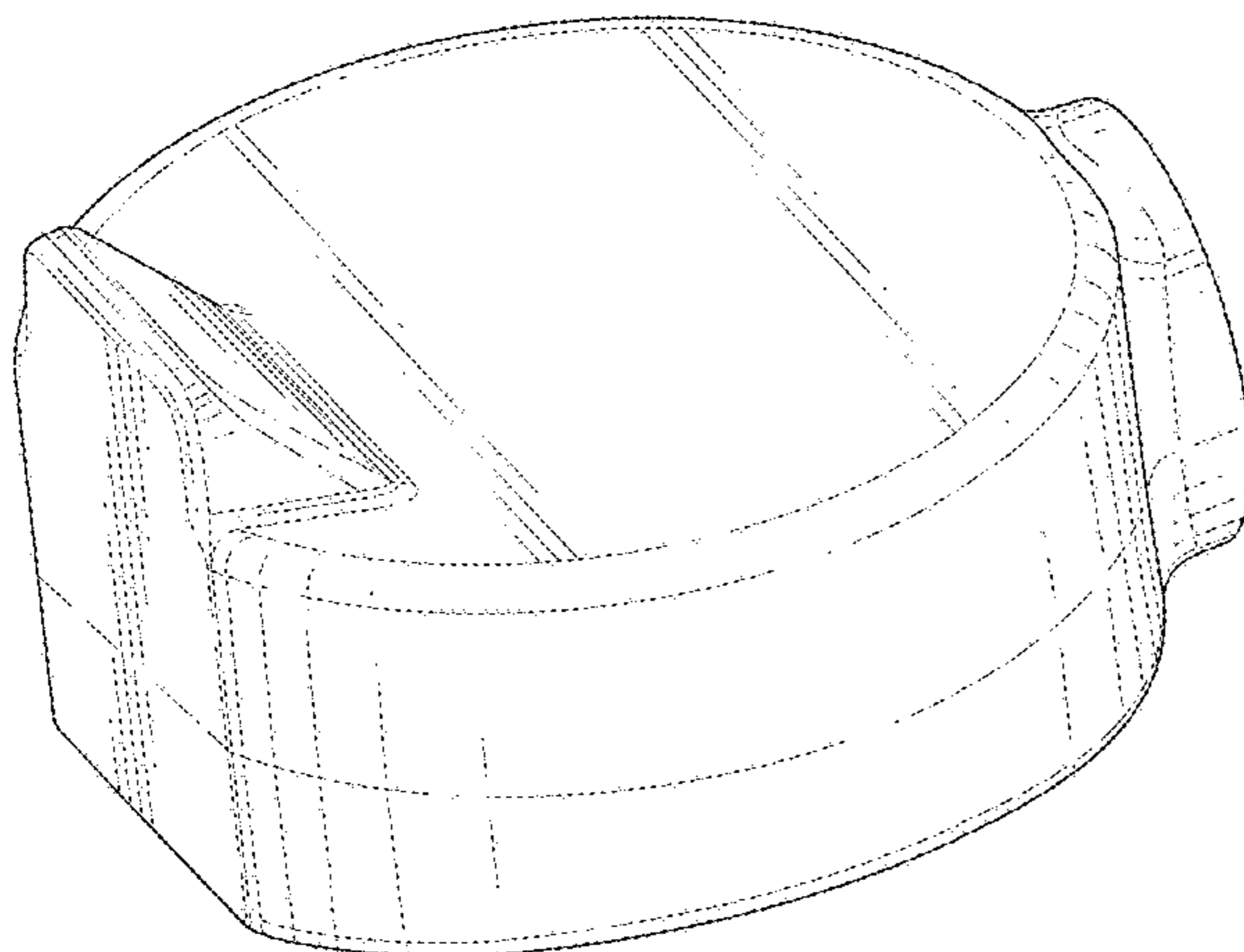
The ornamental design of a housing for connector plug, substantially as shown and described.

DESCRIPTION

FIG. 1 is a perspective view of a housing for connector plug configured in accordance with the present invention; FIG. 2 is a front view thereof; FIG. 3 is a rear view thereof; FIG. 4 is a left side view thereof; FIG. 5 is a right side view thereof; FIG. 6 is a top view thereof; and, FIG. 7 is a bottom view thereof.

The surface shading illustrated in the drawings is provided merely to highlight the contour of design; it is not intended to be illustrative of texture or gloss.

1 Claim, 5 Drawing Sheets



(56)

References Cited

OTHER PUBLICATIONS

Eaton 50 Amp 250-Volt, posted at Homedepot.com, posted on Sep. 18, 2016, [online], [site visited Apr. 10, 2017]. Available from Internet, <<http://www.homedepot.com/p/Eaton-50-Amp-250-Volt-6-50-Industrial-Power-Plug-and-Connector-Gray-5710N/206469356>>.*

15 Amp 125-Volt 3-Wire Connector, posted at Homedepot.com, posted on May 5, 2015, [online], [site visited Apr. 10, 2017]. Available from Internet, <<http://www.homedepot.com/p/Leviton-15-Amp-125-Volt-3-Wire-Connector-Orange-R51-515CV-0OR/205165516>>.*

* cited by examiner

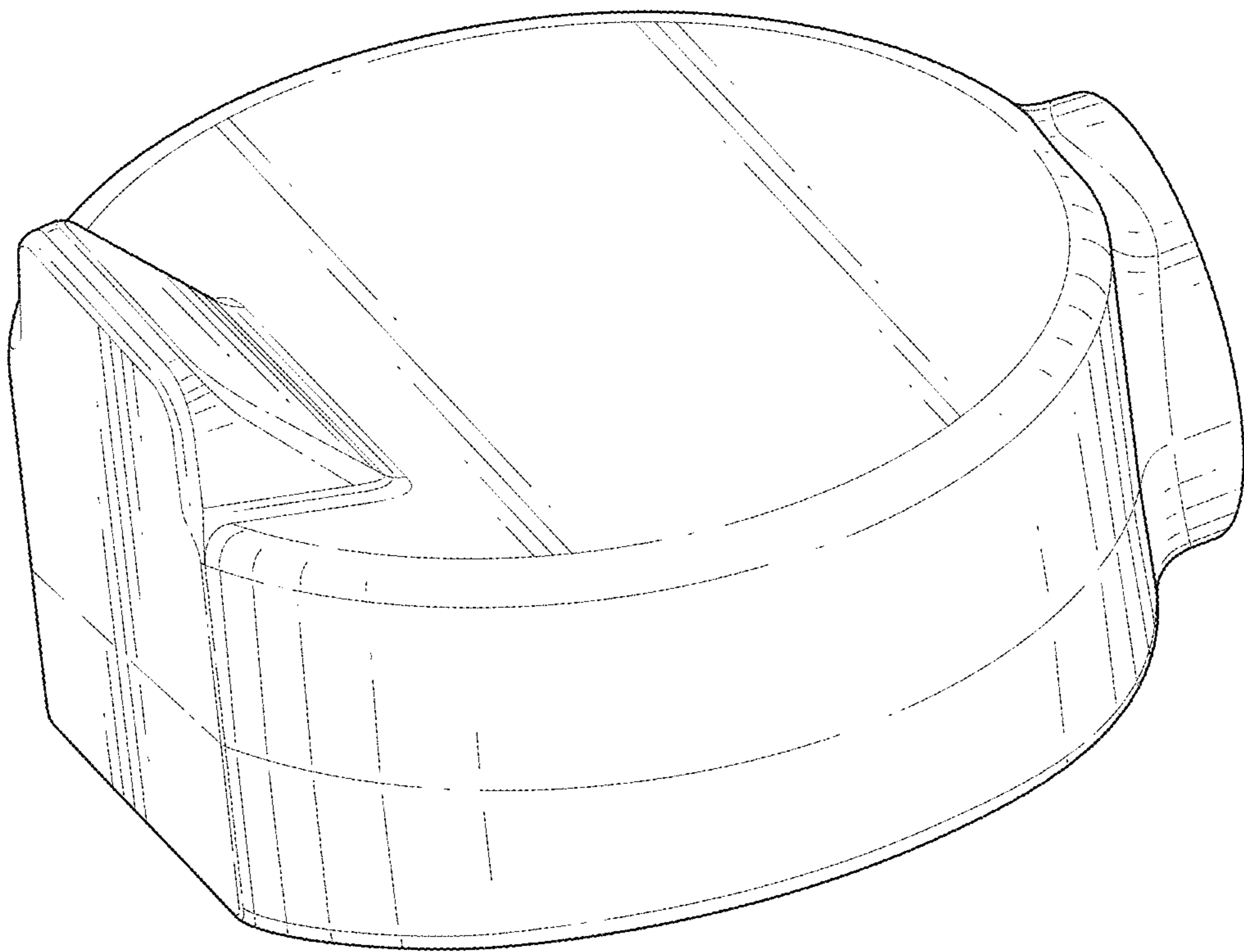


FIG. 1

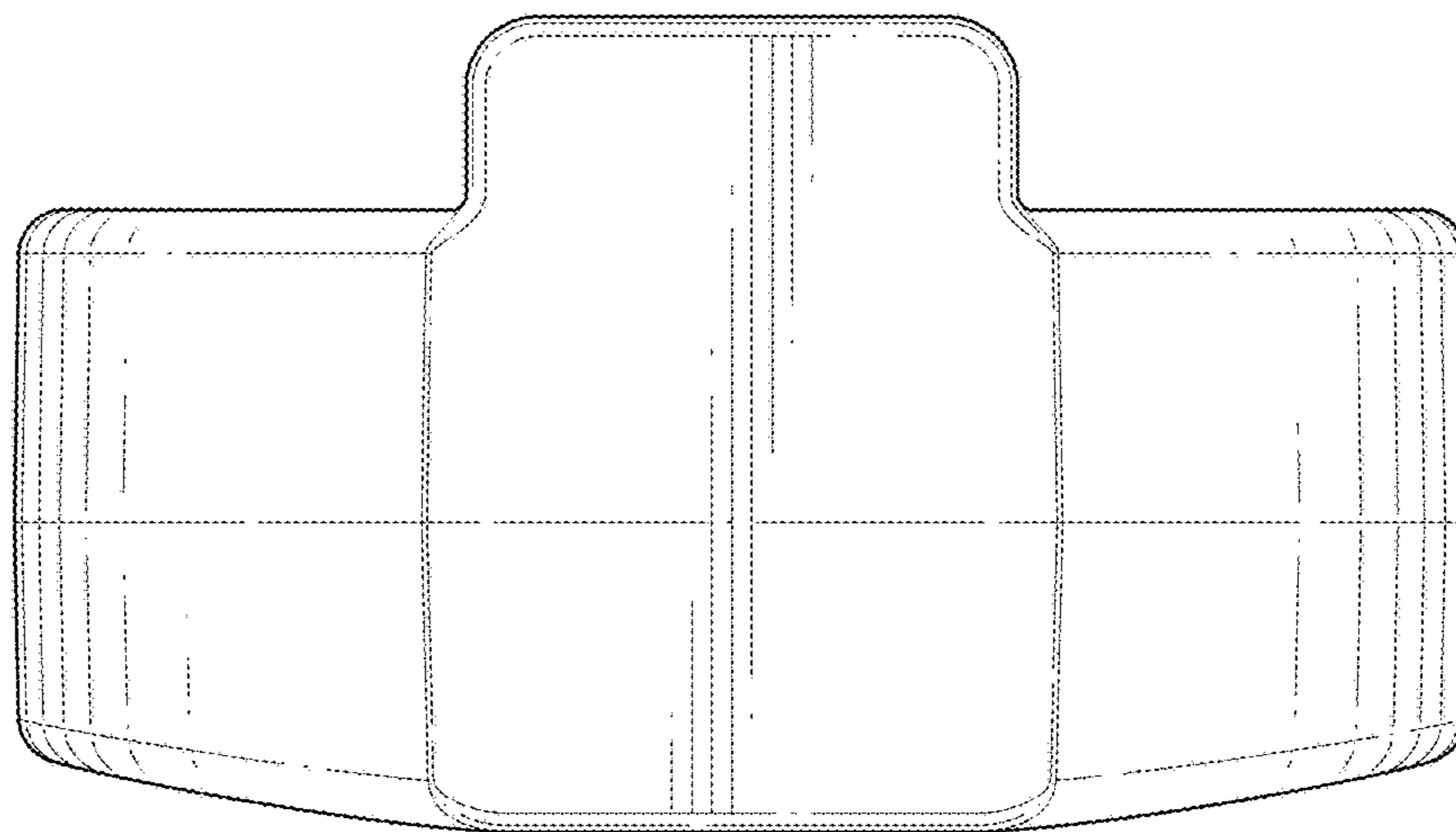


FIG. 2

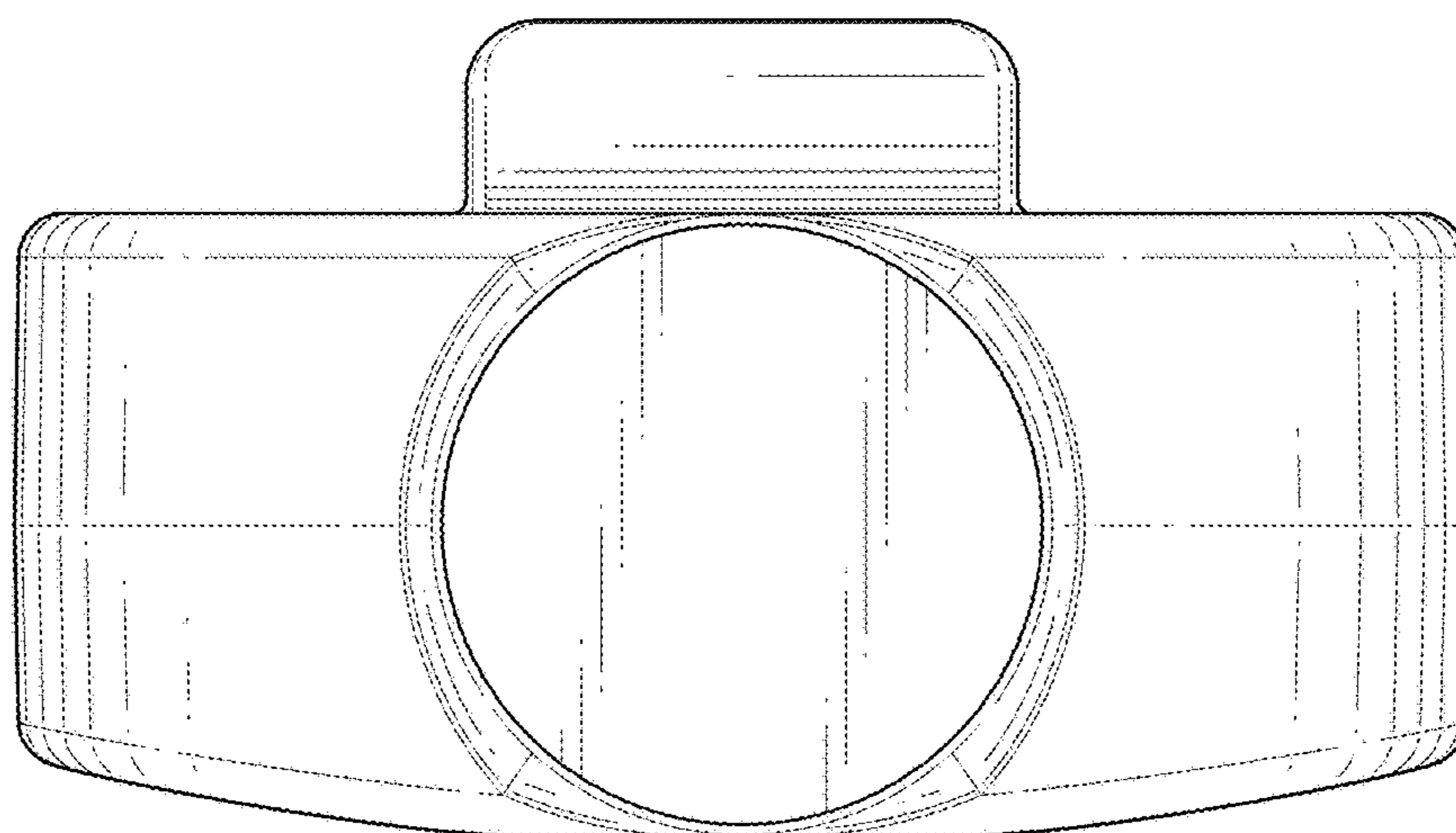


FIG. 3

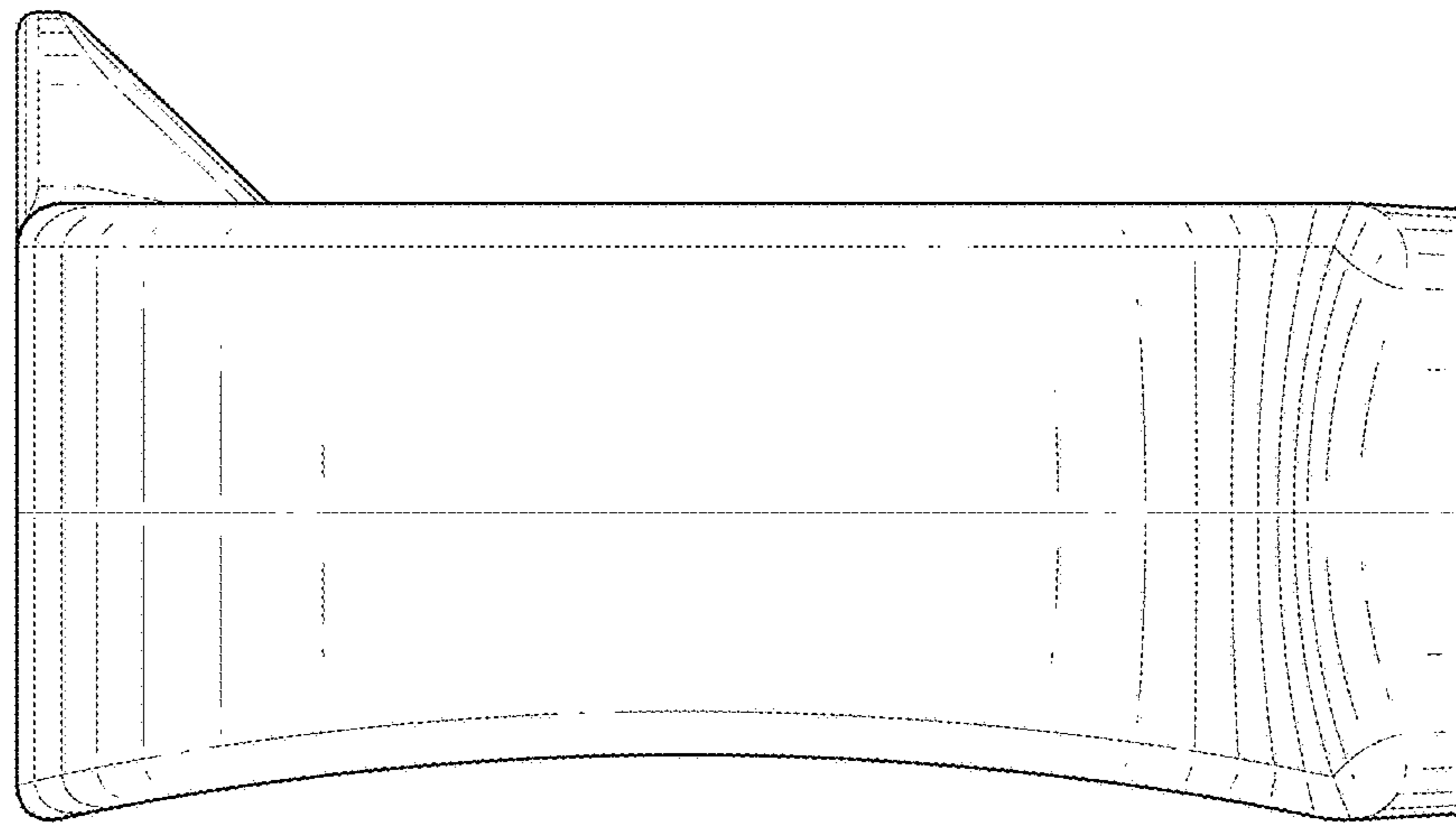


FIG. 4

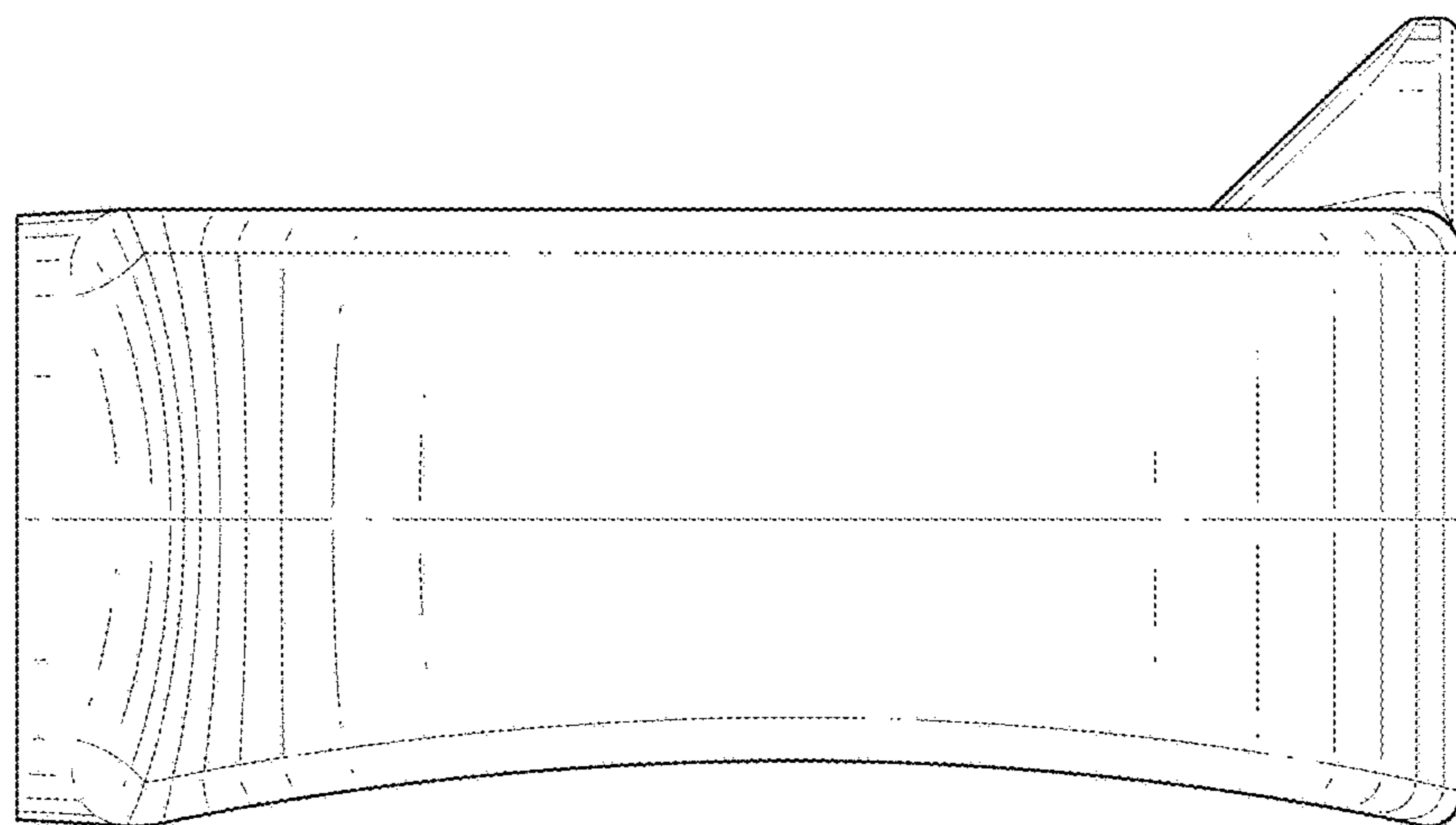


FIG. 5

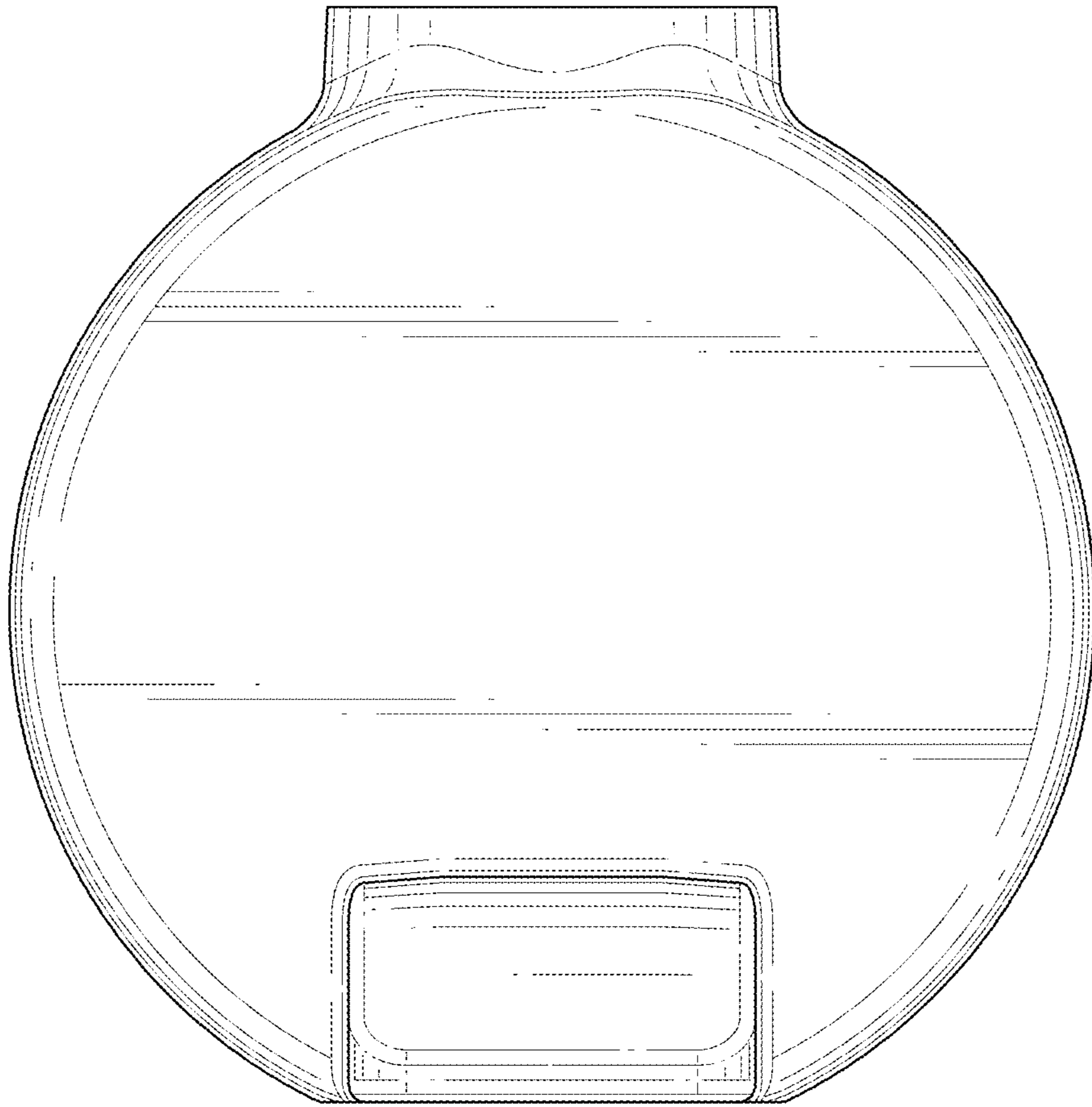


FIG. 6

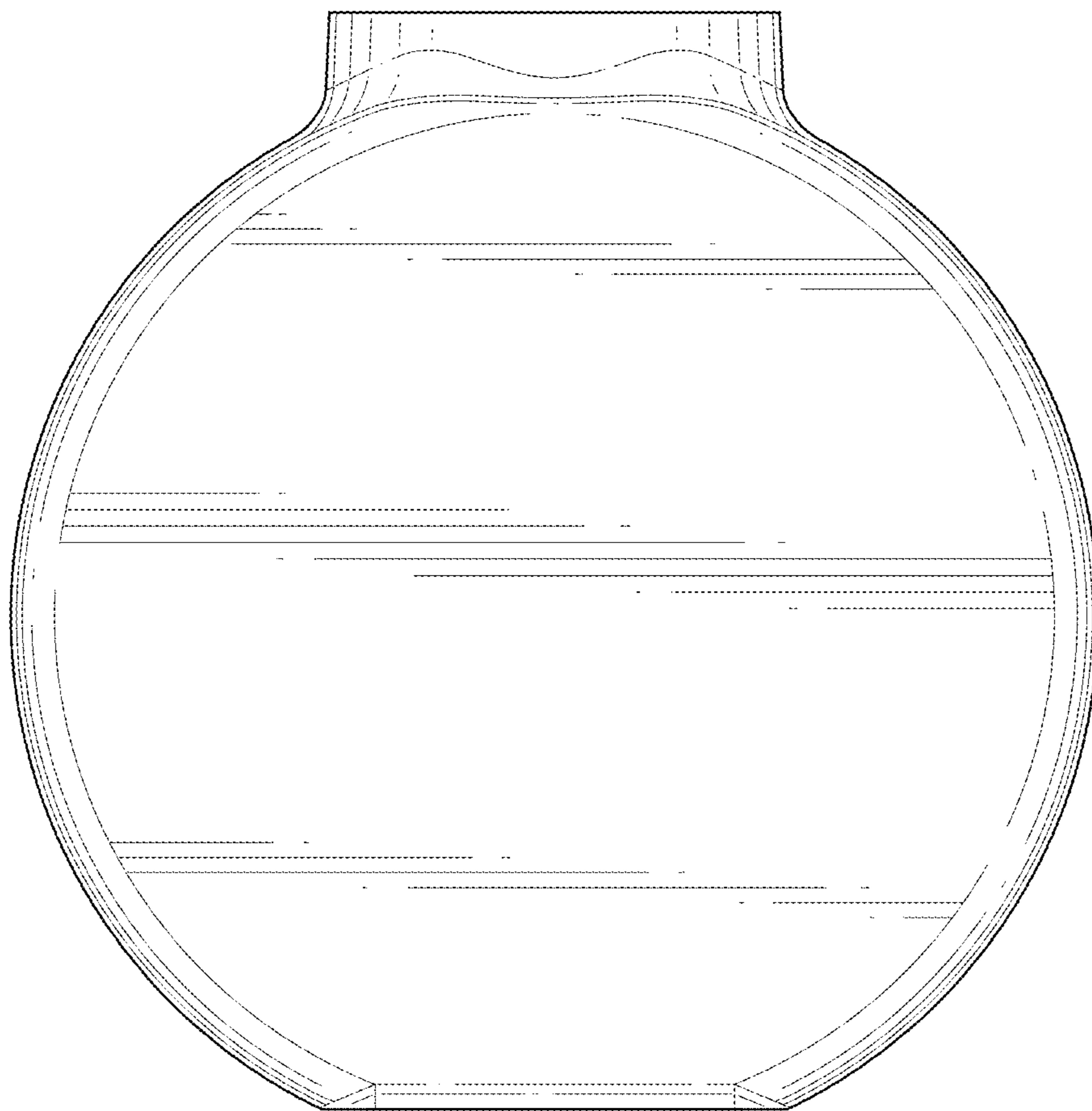


FIG. 7