



US00D795191S

(12) **United States Design Patent**
Wang

(10) **Patent No.:** **US D795,191 S**

(45) **Date of Patent:** **** Aug. 22, 2017**

- (54) **PORTABLE GENERATOR**
- (71) Applicant: **Xin Wang**, Chongqing (CN)
- (72) Inventor: **Xin Wang**, Chongqing (CN)
- (**) Term: **15 Years**
- (21) Appl. No.: **29/561,041**
- (22) Filed: **Apr. 12, 2016**
- (51) **LOC (10) Cl.** **13-01**
- (52) **U.S. Cl.**
USPC **D13/116**
- (58) **Field of Classification Search**
USPC D13/113, 114, 122, 184, 199; 290/1 B;
307/150, 153; 310/50, 158, 418; 322/1,
322/2 R, 10, 16, 40, 59
CPC F02B 63/00; F02B 63/04; F02B 63/044;
F02B 63/045; F02B 63/048; H02K 5/00;
H02K 7/00; H02K 7/18
See application file for complete search history.

- D644,174 S * 8/2011 Fujiki D13/116
- D704,137 S * 5/2014 Shokrzadeh D13/116
- D704,641 S * 5/2014 Shokrzadeh D13/116
- 8,841,582 B2 * 9/2014 Bender B23K 9/1006
219/133
- D749,511 S * 2/2016 Jenison D13/114
- 9,457,822 B2 * 10/2016 Rumao B62B 1/008

* cited by examiner

Primary Examiner — Daniel Bui
Assistant Examiner — Andrew Kerr
(74) *Attorney, Agent, or Firm* — Xuan Zhang

(57) **CLAIM**

The ornamental design for a portable generator, as shown and described.

DESCRIPTION

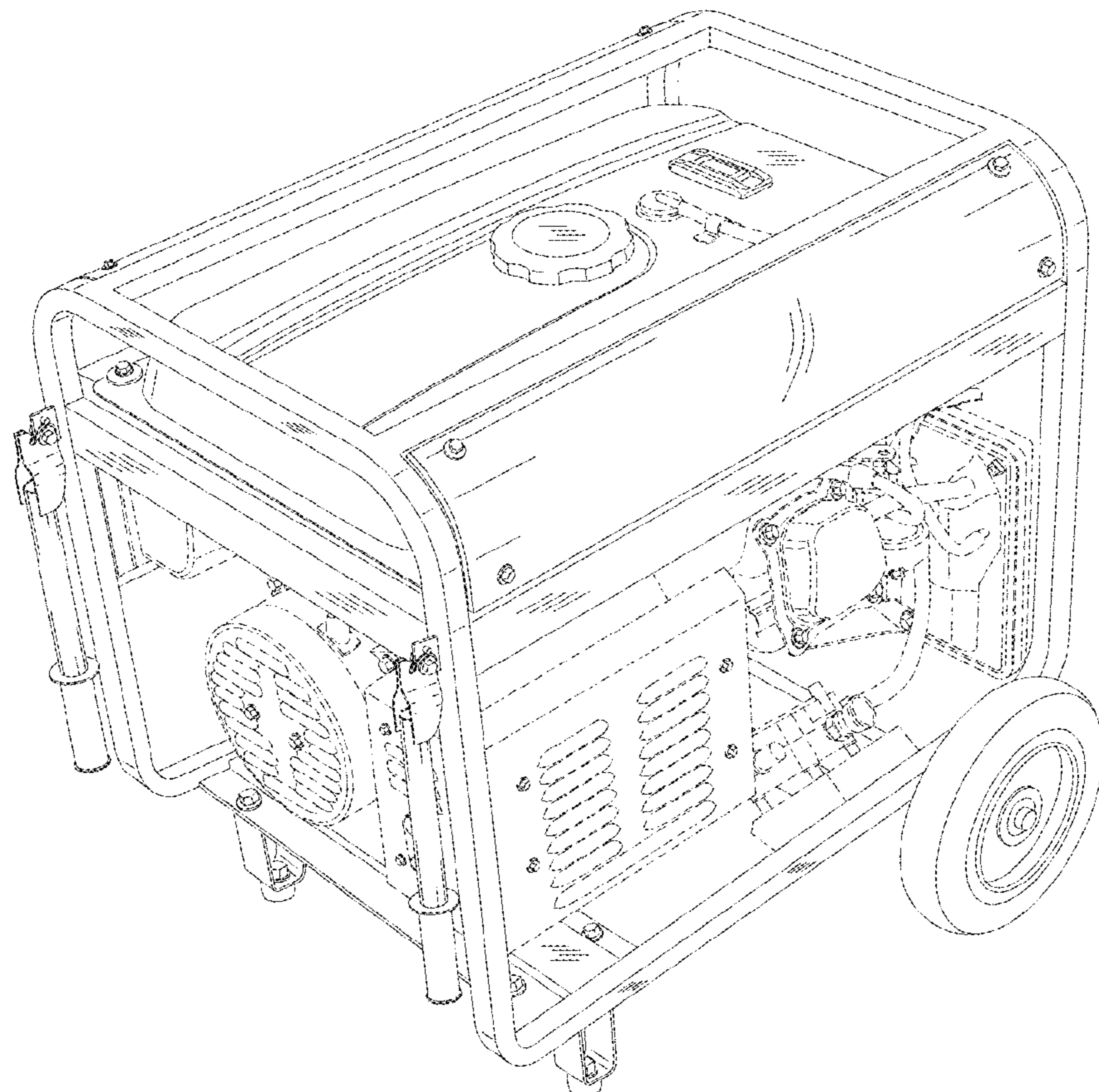
FIG. 1 is a front perspective view of a portable generator showing my new design;
FIG. 2 is a left side elevational view thereof;
FIG. 3 is a right side elevational view thereof;
FIG. 4 is a rear elevational view thereof;
FIG. 5 is a front elevational view thereof; and,
FIG. 6 is a top plan view thereof.
The broken lines in the drawing views are included for the purpose of illustrating unclaimed portions only, and forms no part of the claimed design.

1 Claim, 6 Drawing Sheets

(56) **References Cited**

U.S. PATENT DOCUMENTS

- D478,311 S * 8/2003 Yaguchi D13/114
- D501,182 S * 1/2005 Buck D13/110
- D638,794 S * 5/2011 Kato D13/116



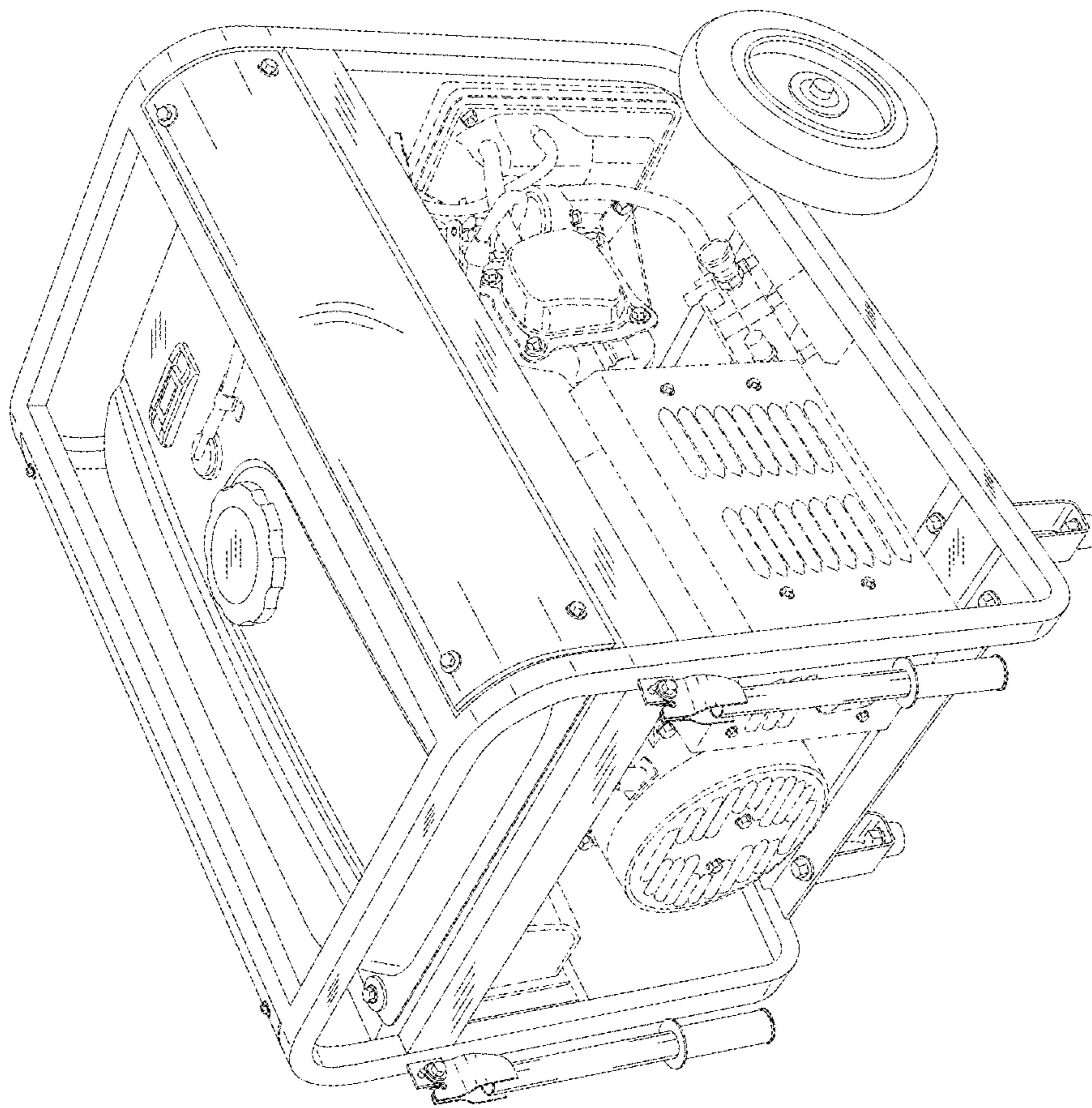


FIG. 1

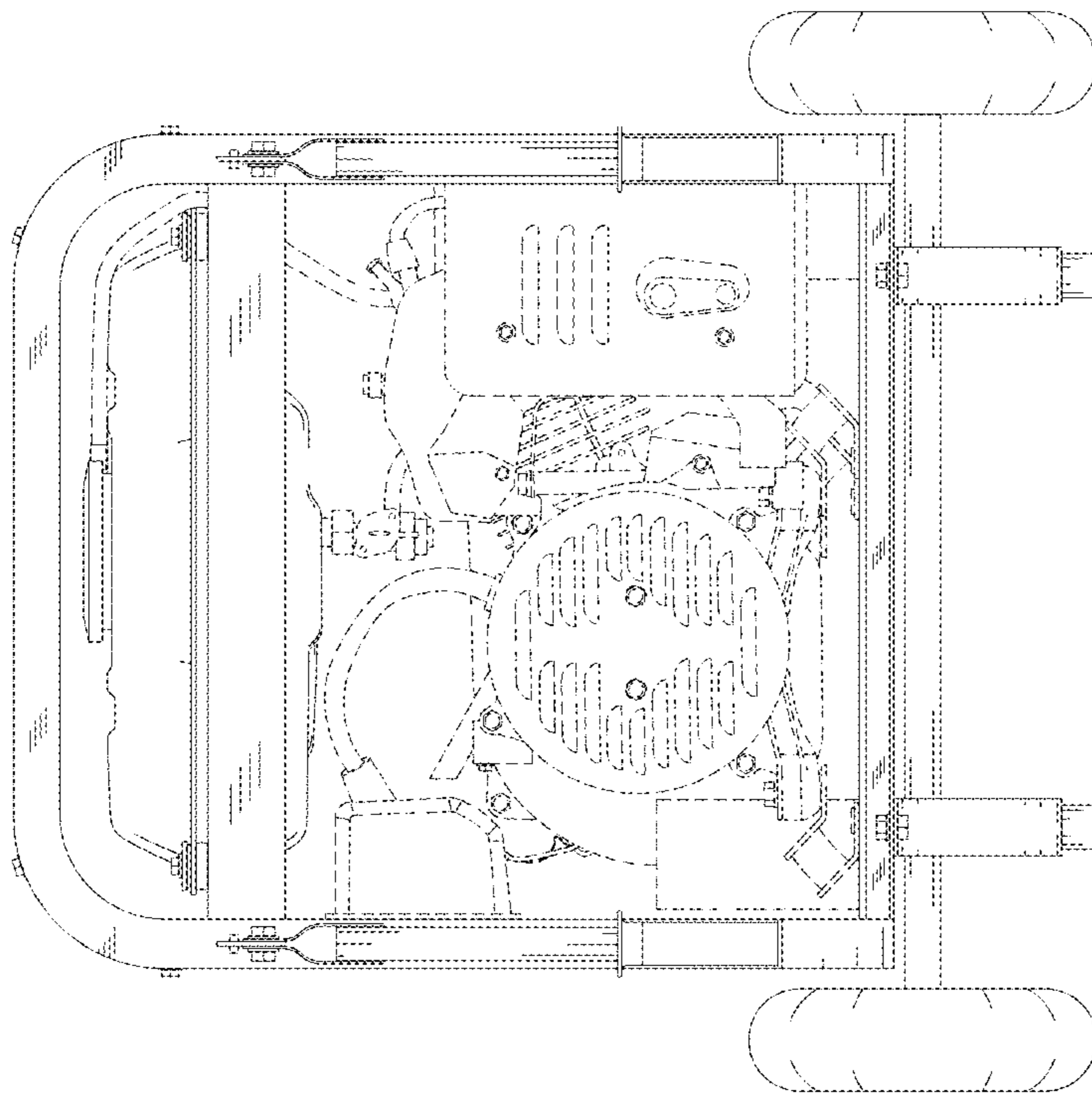


FIG. 2

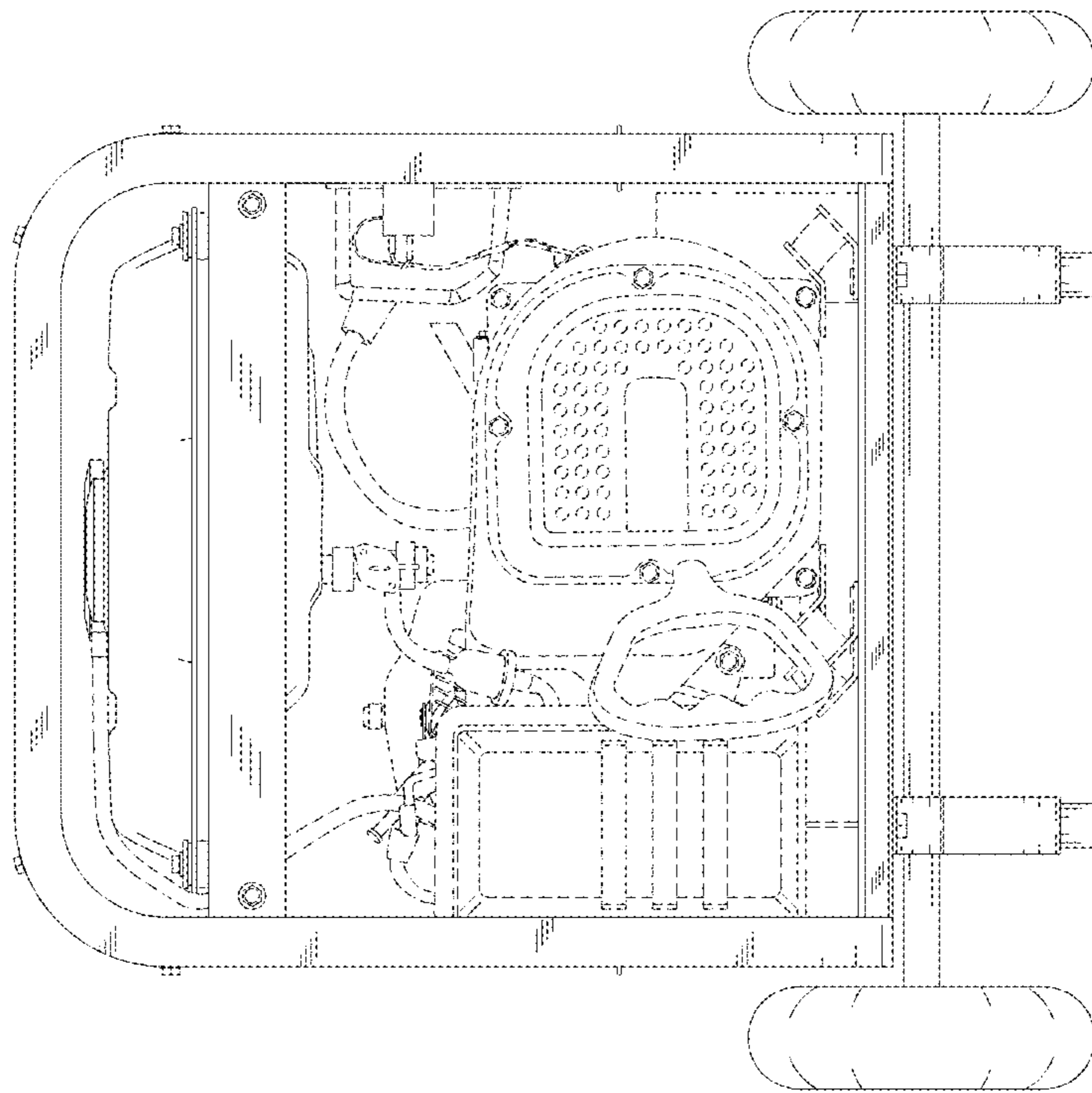


FIG. 3

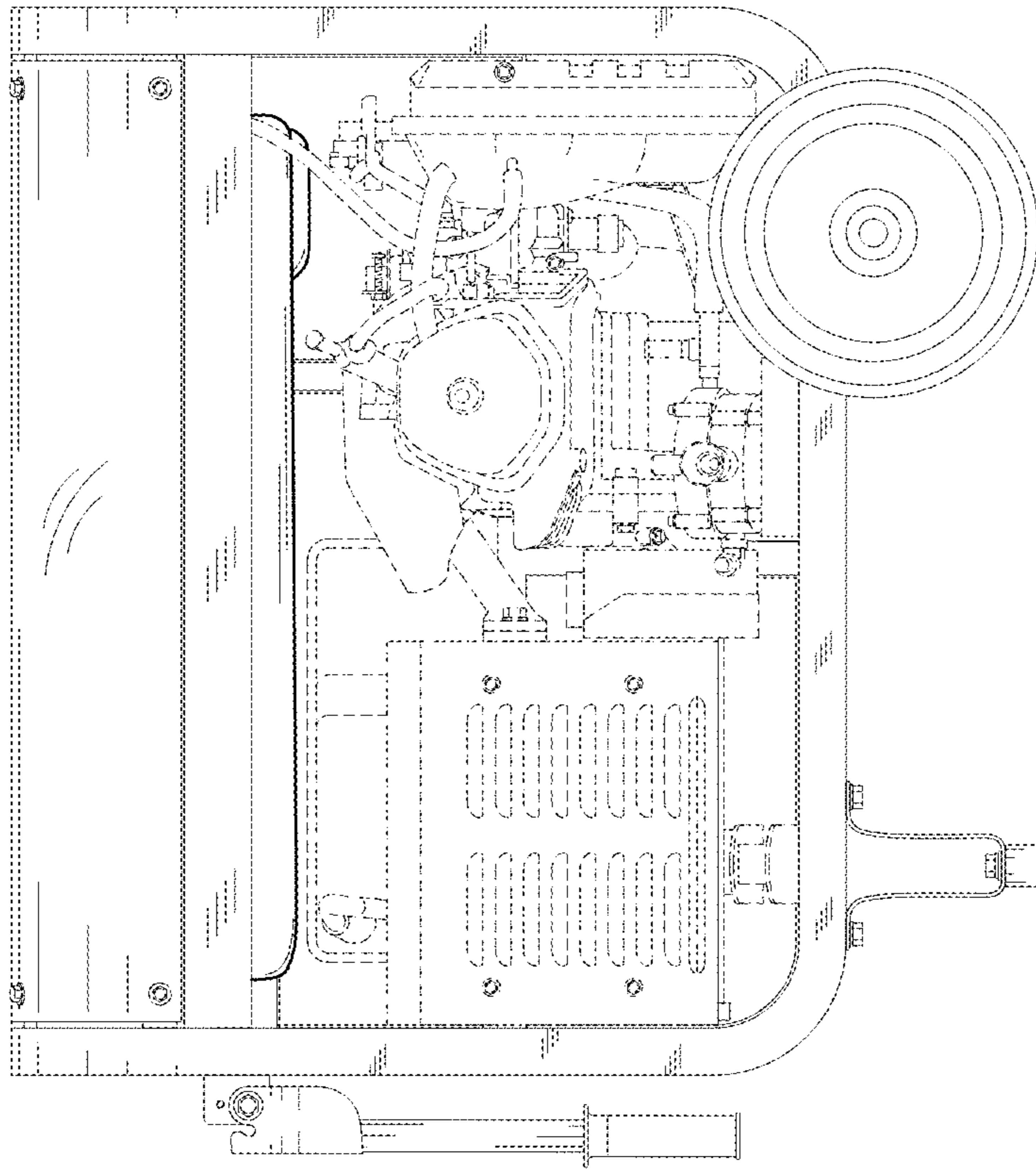


FIG. 4

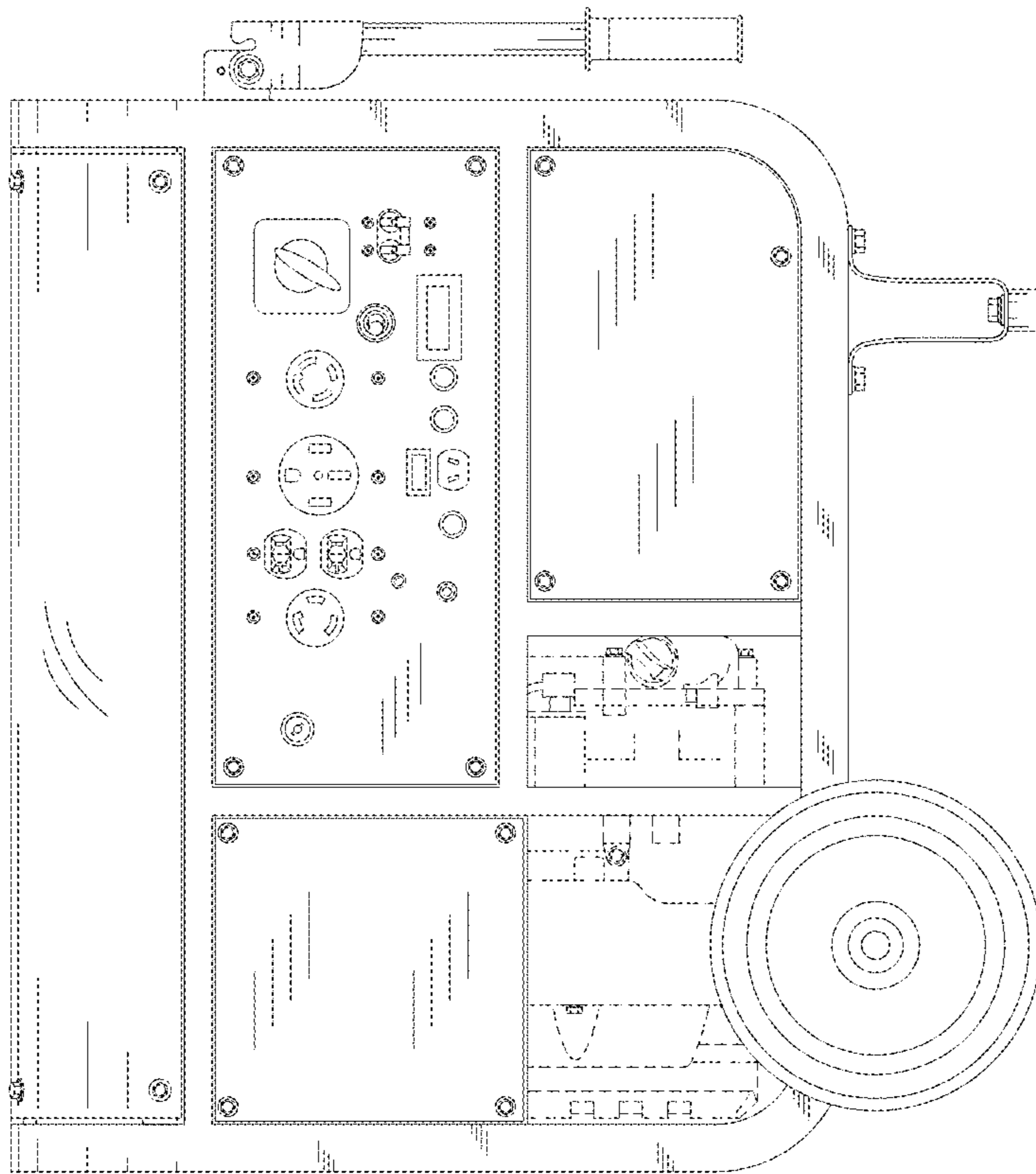


FIG. 5

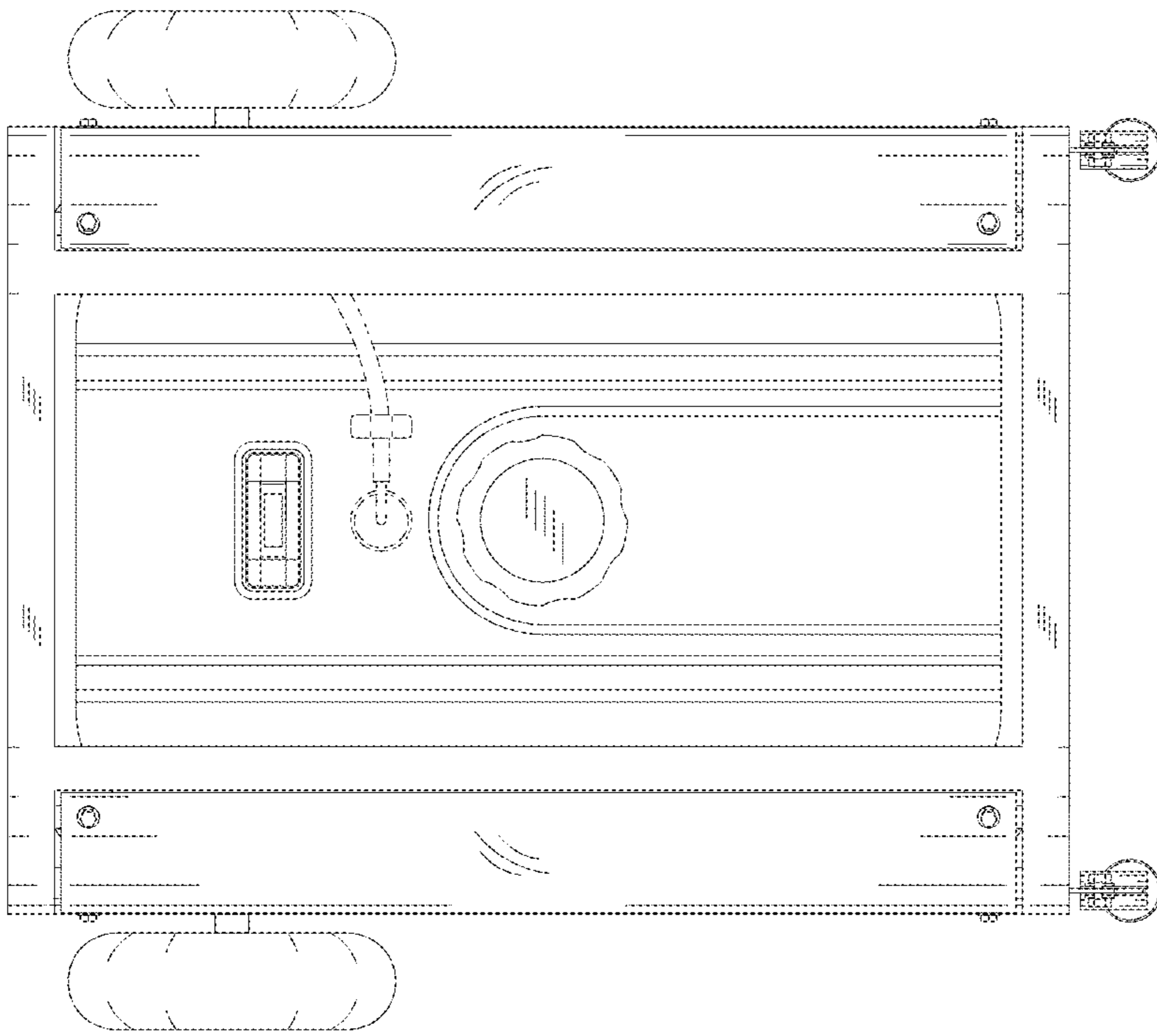


FIG. 6