



US00D795190S

(12) **United States Design Patent**
Tzeng

(10) **Patent No.:** **US D795,190 S**

(45) **Date of Patent:** **** Aug. 22, 2017**

(54) **POWER ADAPTER**

(71) Applicant: **FSP TECHNOLOGY INC.**, Taoyuan (TW)

(72) Inventor: **Wan-Ching Tzeng**, Taoyuan (TW)

(73) Assignee: **FSP TECHNOLOGY INC.**, Taoyuan (TW)

(**) Term: **15 Years**

(21) Appl. No.: **29/559,171**

(22) Filed: **Mar. 25, 2016**

(51) **LOC (10) Cl.** **13-02**

(52) **U.S. Cl.**
USPC **D13/110**

(58) **Field of Classification Search**
USPC ... D13/103, 107, 108, 110, 133, 184, 137.2, D13/137.4; D14/306; 439/300, 620.1, 439/620.21, 620.31
CPC B60L 2210/00; B60L 2210/10; B60L 2210/20; B60L 2210/30; B60L 2210/40; Y02E 60/60; H02J 1/00; H02J 3/60
See application file for complete search history.

(56) **References Cited**

U.S. PATENT DOCUMENTS

D503,679 S * 4/2005 Andre D13/110
D702,185 S * 4/2014 Yata D13/110

D711,824 S * 8/2014 Matsuoka D13/110
D741,796 S * 10/2015 Robinson D13/103
D758,967 S * 6/2016 Chen D13/110

* cited by examiner

Primary Examiner — Daniel Bui

Assistant Examiner — Andrew Kerr

(74) *Attorney, Agent, or Firm* — Winston Hsu

(57) **CLAIM**

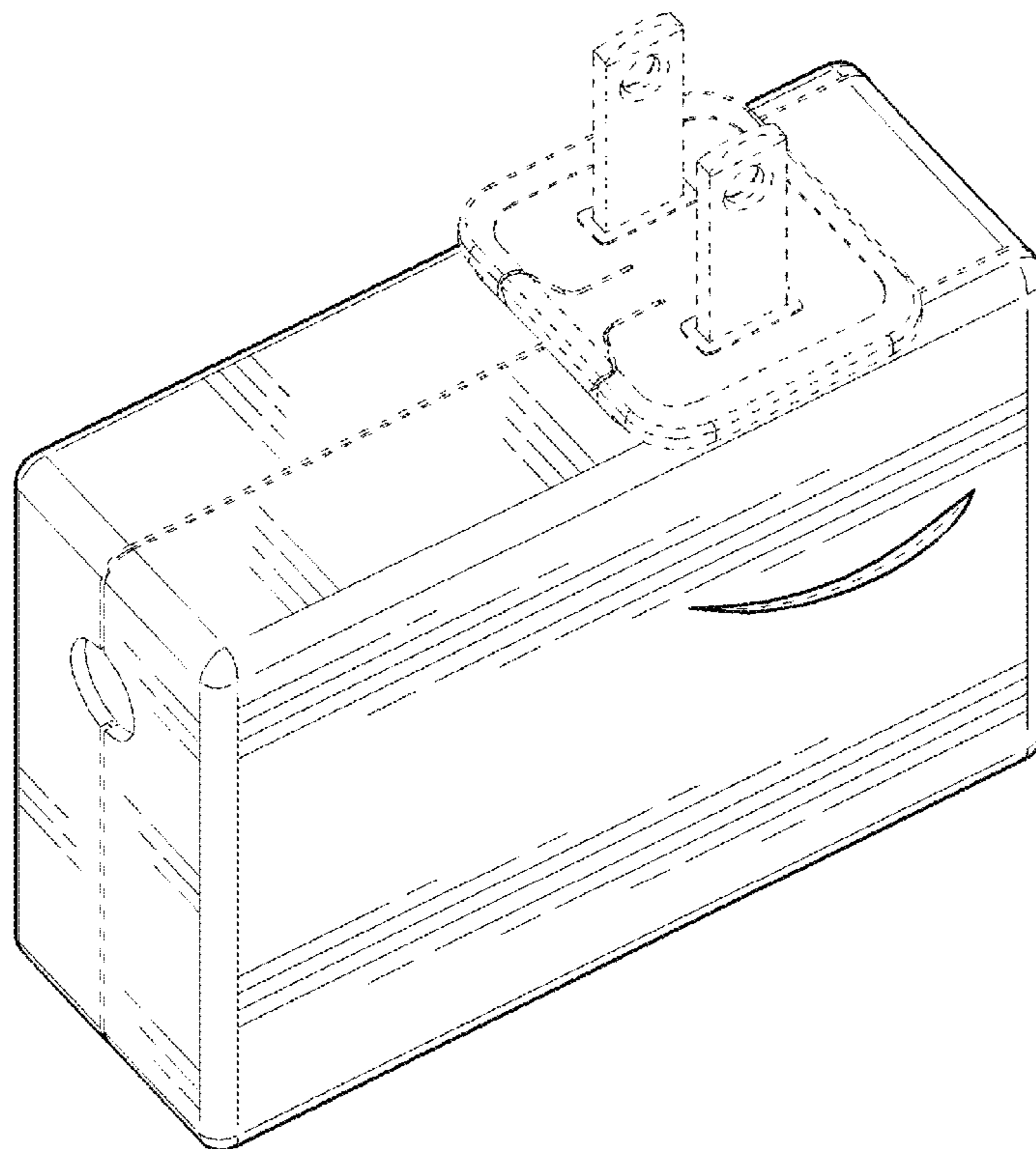
The ornamental design for a power adapter, as shown and described.

DESCRIPTION

FIG. 1 is a rear, right, top perspective view of a power adapter showing my new design;
FIG. 2 is a front elevation view thereof;
FIG. 3 is a rear elevation view thereof;
FIG. 4 is a left side elevation view thereof;
FIG. 5 is a right side elevation view thereof;
FIG. 6 is a top plan view thereof; and,
FIG. 7 is a bottom plan view thereof.

The broken lines depict portions of a power adapter in which the design is embodied and form no part of the claimed design.

1 Claim, 5 Drawing Sheets



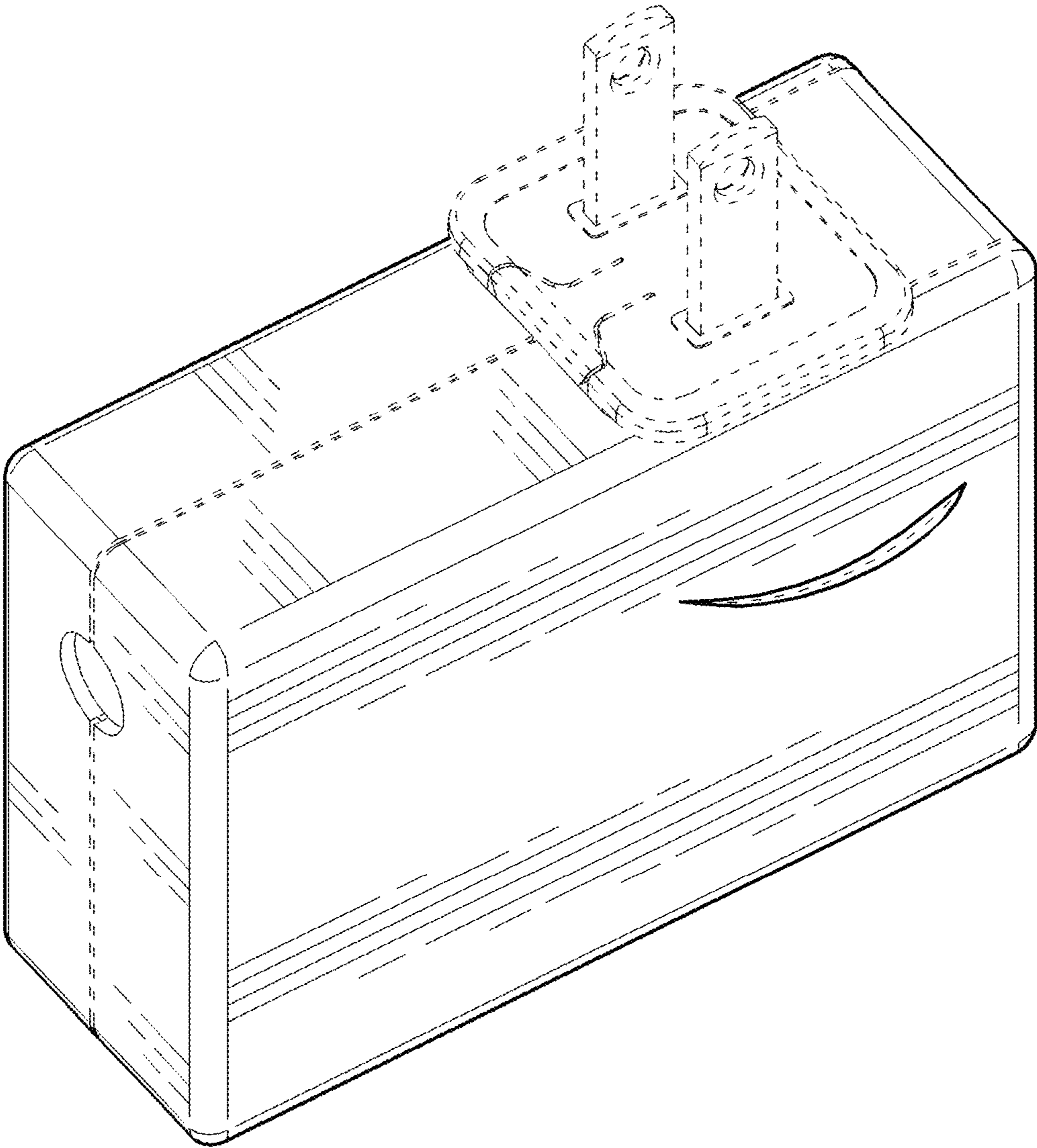


FIG. 1

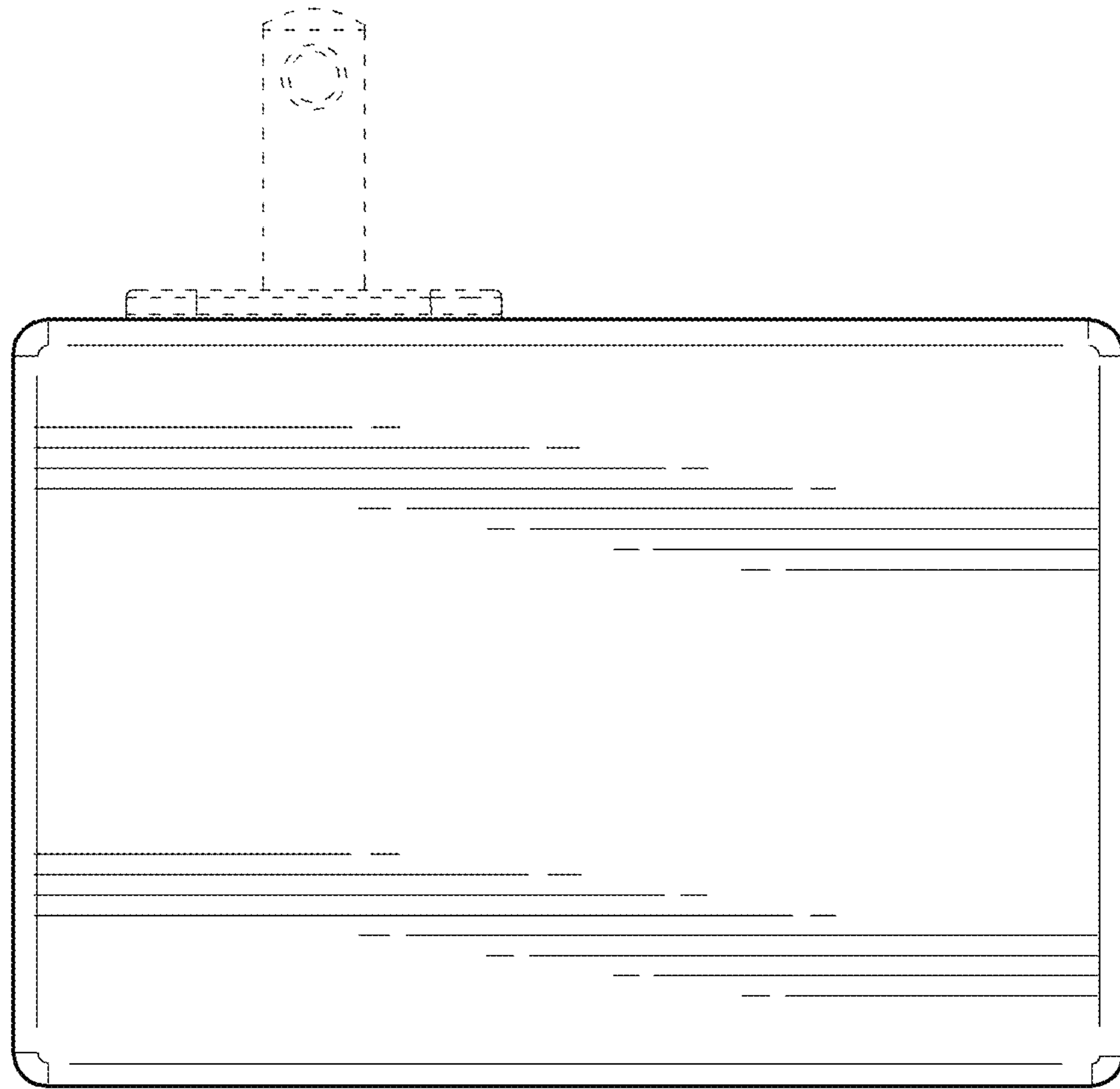


FIG. 2

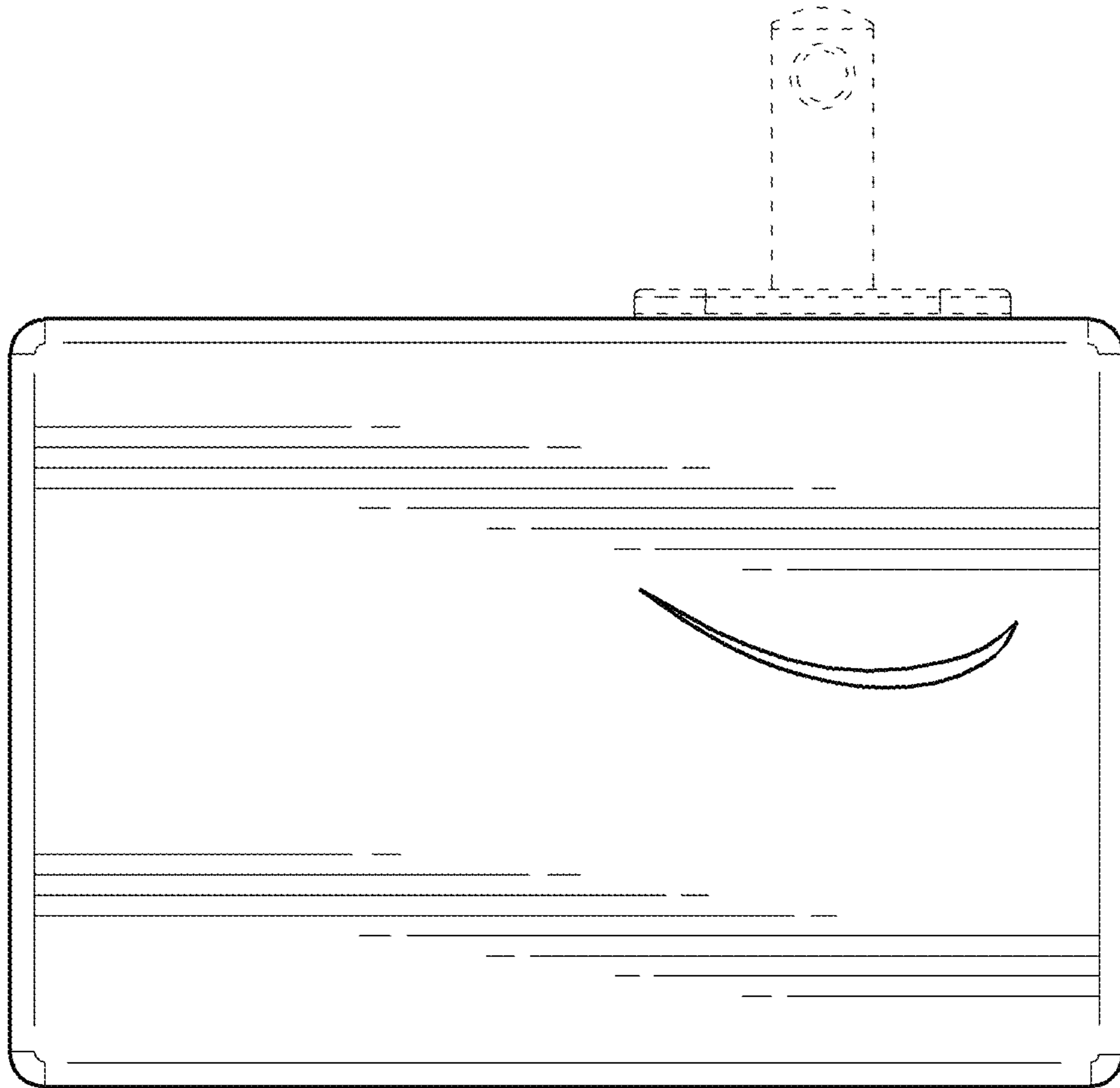


FIG. 3

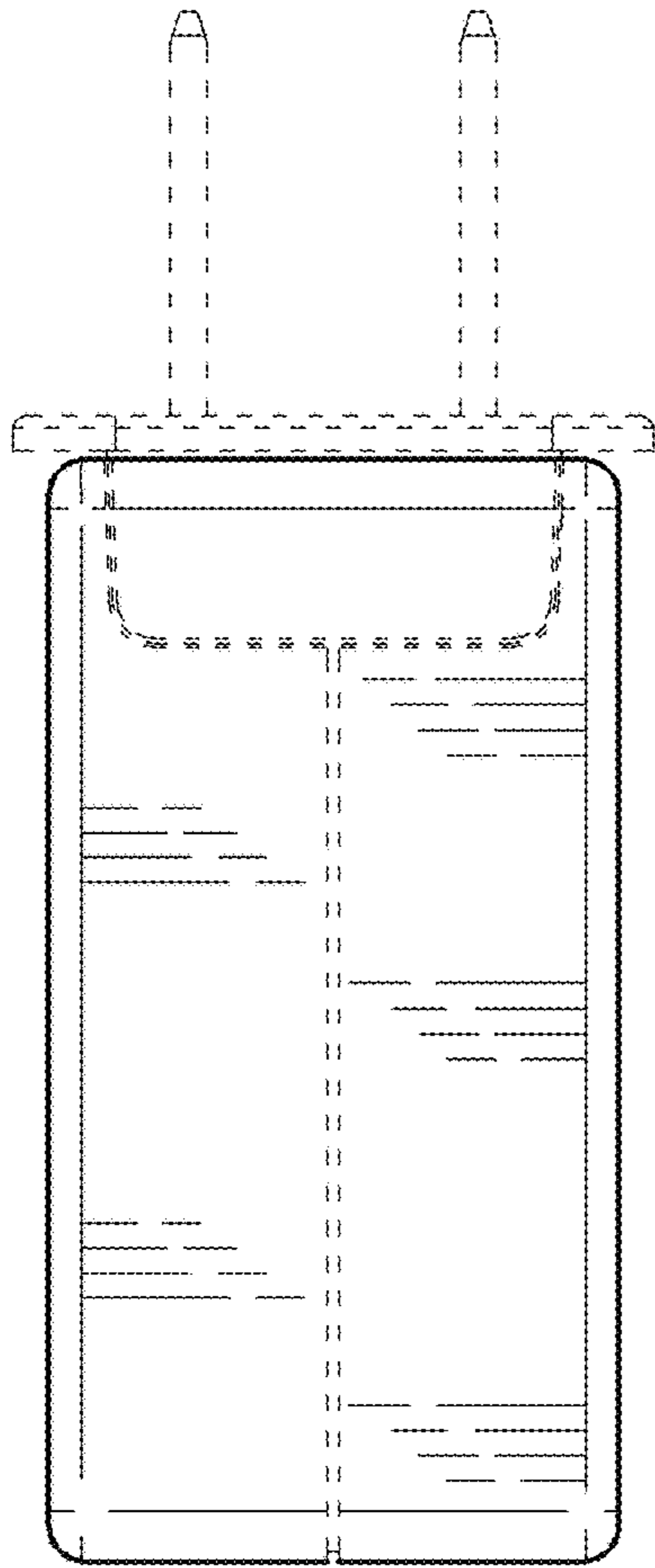


FIG. 4

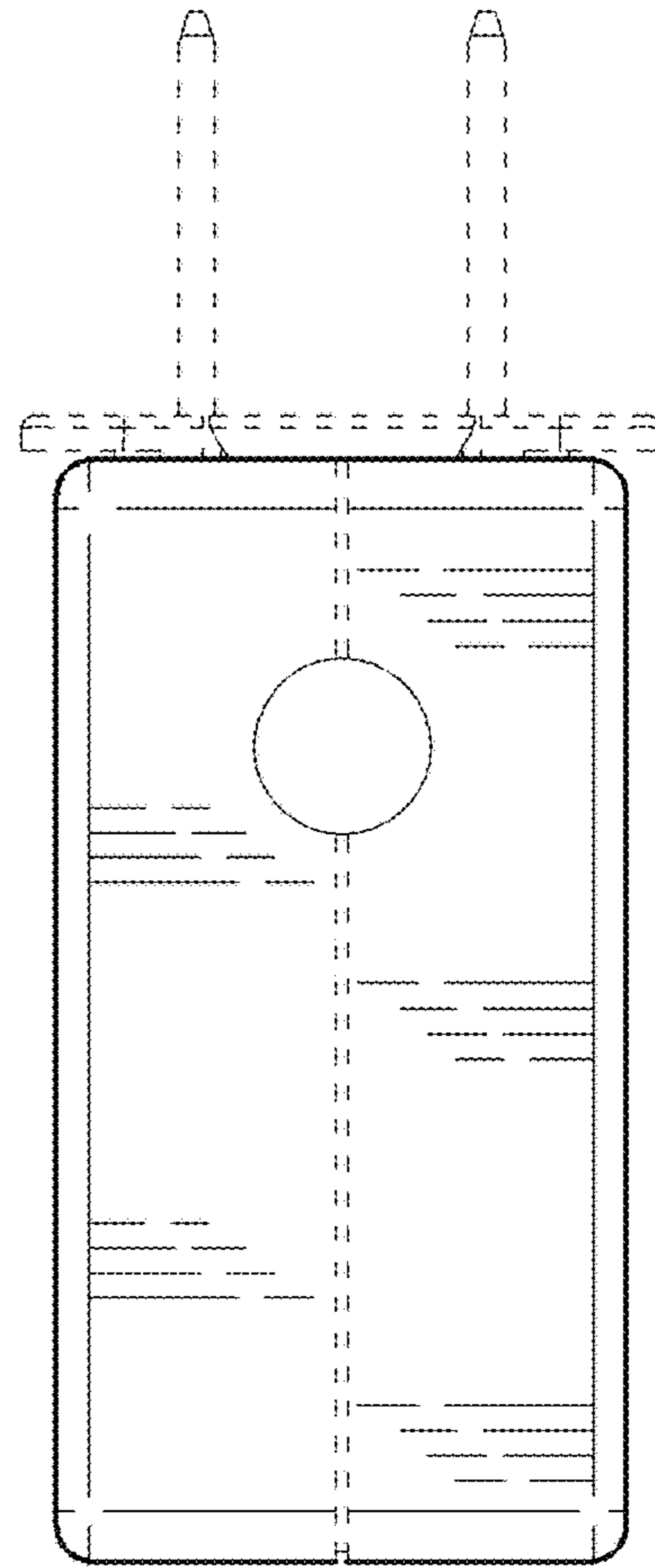


FIG. 5

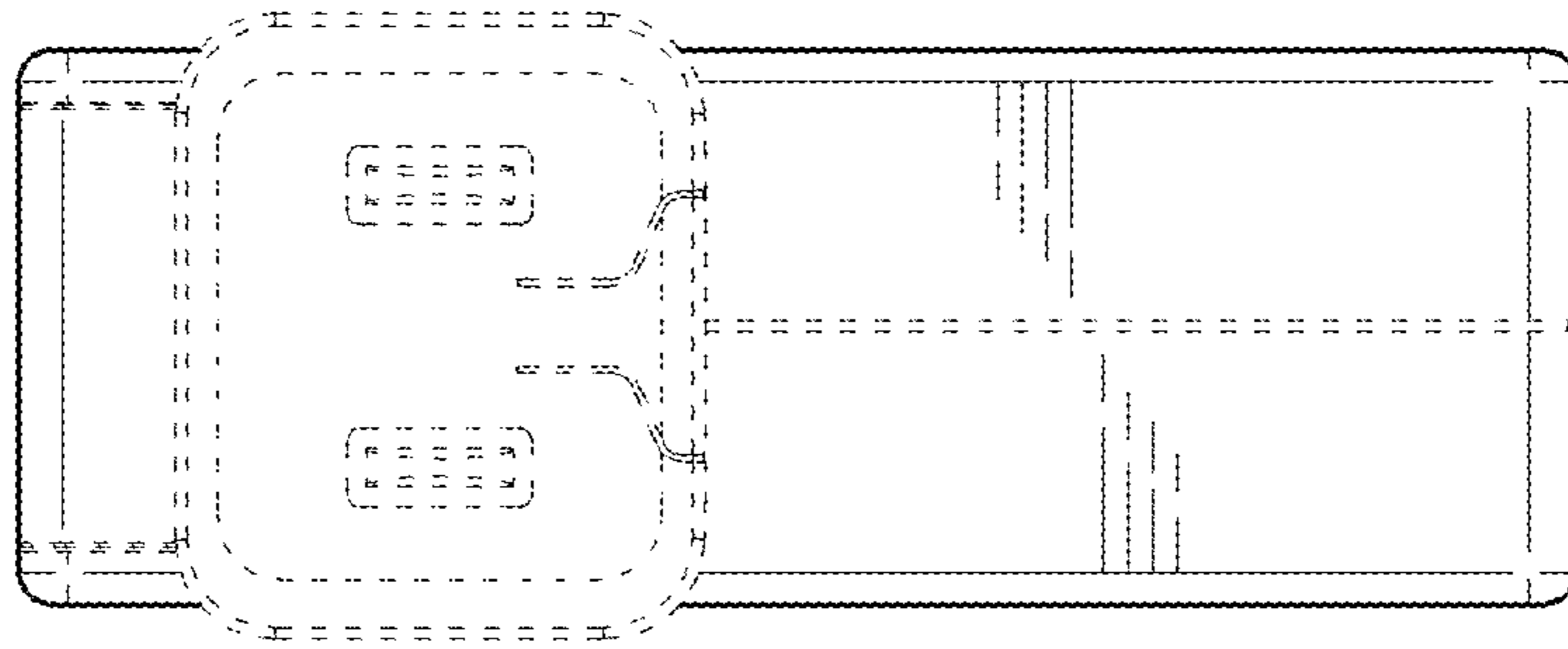


FIG. 6

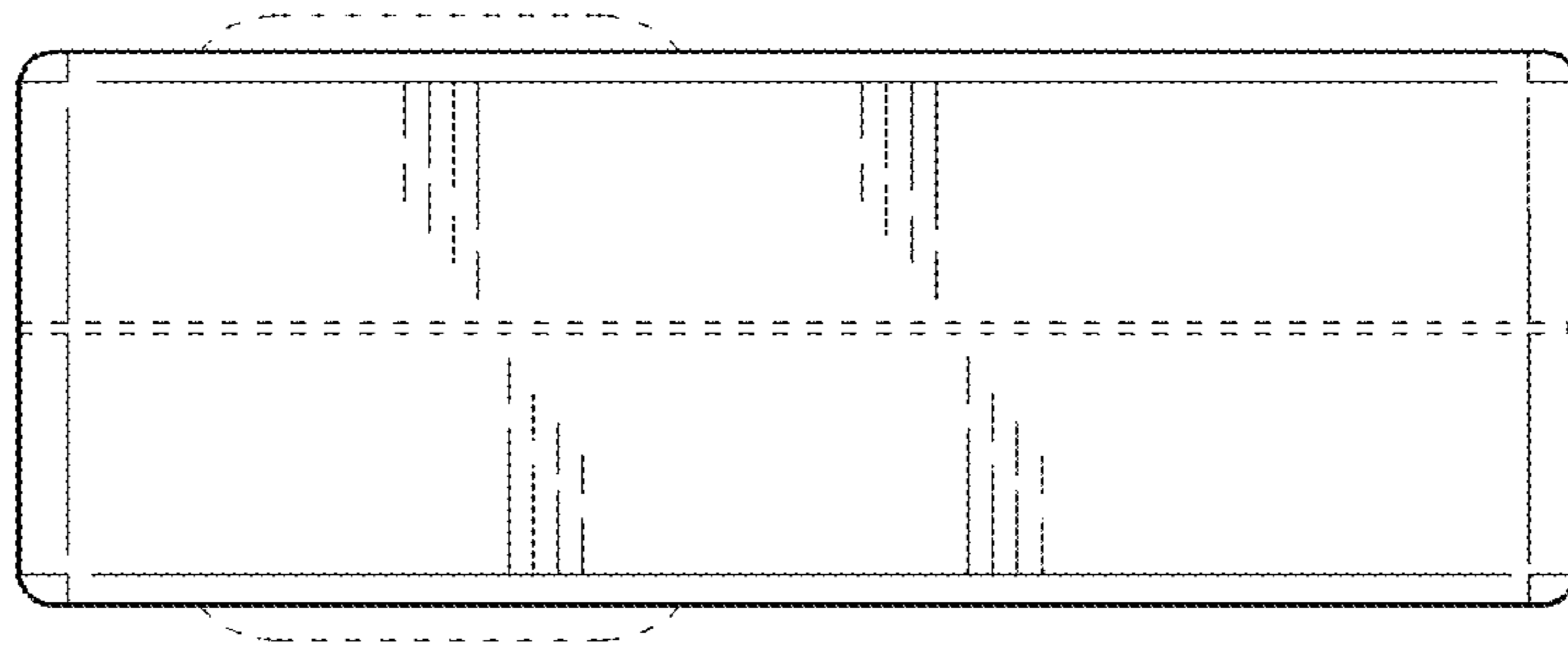


FIG. 7