



US00D795185S

(12) **United States Design Patent** (10) **Patent No.:** **US D795,185 S**
Sollberger (45) **Date of Patent:** **** Aug. 22, 2017**

(54) **MOBILE BATTERY BANK**

H02J 2007/0062; H01F 38/14; H01R
13/6675

(71) Applicant: **FxA LLC**, Irvine, CA (US)

See application file for complete search history.

(72) Inventor: **Andre Simon Sollberger**, San Francisco, CA (US)

(56) **References Cited**

(73) Assignee: **FXA LLC**, Irvine, CA (US)

U.S. PATENT DOCUMENTS

(**) Term: **15 Years**

D211,241 S * 6/1968 Dole, Jr. D13/118
D432,493 S * 10/2000 Killebrew D13/103
2005/0181242 A1* 8/2005 Suzuki H01M 2/0212
429/7

(21) Appl. No.: **29/556,733**

OTHER PUBLICATIONS

(22) Filed: **Mar. 2, 2016**

Author unknown, "Chanel Powerbank by MyDreamStory", <http://elaine73.blogspot.com/2014/06/chanel-powerbank-by-mydreamstory.html>, publication date unknown, page retrieved Feb. 23, 2016.

(51) **LOC (10) Cl.** **13-02**

Author unknown, "12000mAh Newest Design Perfume Bottle External Battery Pack Charger", <http://www.globalsources.com/gsol/1/Power-bank/p/sm/1130910082.htm#1130910082>, publication date unknown, page retrieved Feb. 23, 2016.

(52) **U.S. Cl.**

USPC **D13/108**

Author unknown, "Gift power banks for mobile phone, with polymer cell, 9000mAh capacity, perfume bottle appearance", <http://www.globalsources.com/gsol/1/Power-bank/p/sm/1133388219.htm#1133388219>, publication date unknown, page retrieved Feb. 23, 2016.

(58) **Field of Classification Search**

USPC D13/102–110, 118–119, 184, 199;
D14/356, 432, 251, 253, 434,
D14/203.3–203.8, 217, 248, 250, 252,
D14/440, 450, 496; D3/201, 218, 269,
D3/301, 273, 303

* cited by examiner

CPC Y02E 60/12; Y02E 60/122; Y02E 60/124;
Y02E 60/50; Y02E 60/10; H01M 2/02;
H01M 2/022; H01M 2/0202; H01M
2/0207; H01M 2/0212; H01M 2/1061;
H01M 2/1022; H01M 2/1055; H01M
2/1066; H01M 2/105; H01M 2/204;
H01M 2/20; H01M 2/202; H01M 2/206;
H01M 10/44; H01M 10/46; H01M
10/465; H01M 10/482; H01M 10/4257;
H01M 10/0436; H01M 10/48; H01M
10/425; H01M 2200/30; H01M 2250/30;
H01M 2250/40; H02J 7/00; H02J 7/0003;
H02J 7/0011; H02J 7/0013; H02J 7/0054;
H02J 7/0055; H02J 7/0057; H02J 7/025;
H02J 7/0042; H02J 7/0044; H02J 7/0045;

Primary Examiner — Rosemary K Tarcza

Assistant Examiner — Christy Nemeth

(74) *Attorney, Agent, or Firm* — Manatt, Phelps & Phillips

(57) **CLAIM**

The ornamental design for a mobile battery bank, as shown and described.

DESCRIPTION

FIG. 1 is a top perspective view of a mobile battery bank.
FIG. 2 is a top view thereof.
FIG. 3 is a bottom view thereof.
FIG. 4 is a front side view thereof.

(Continued)

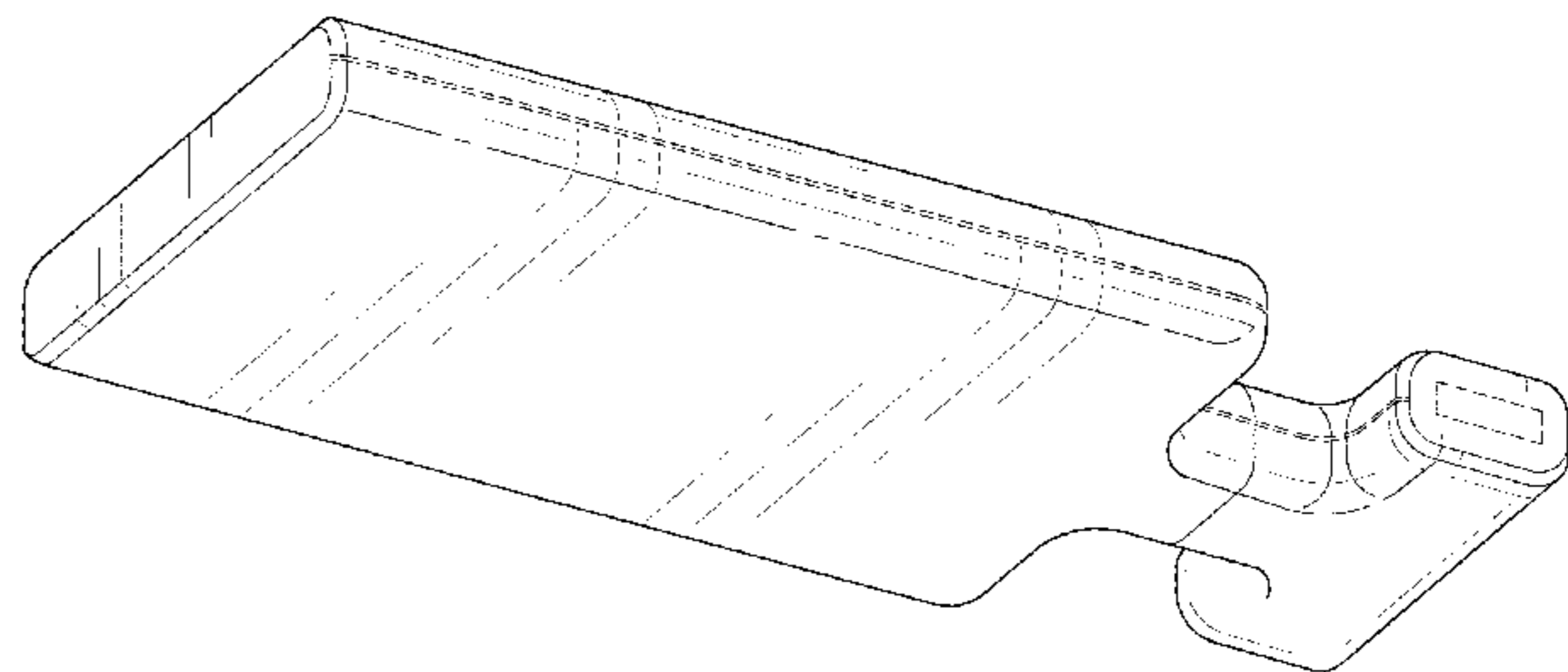
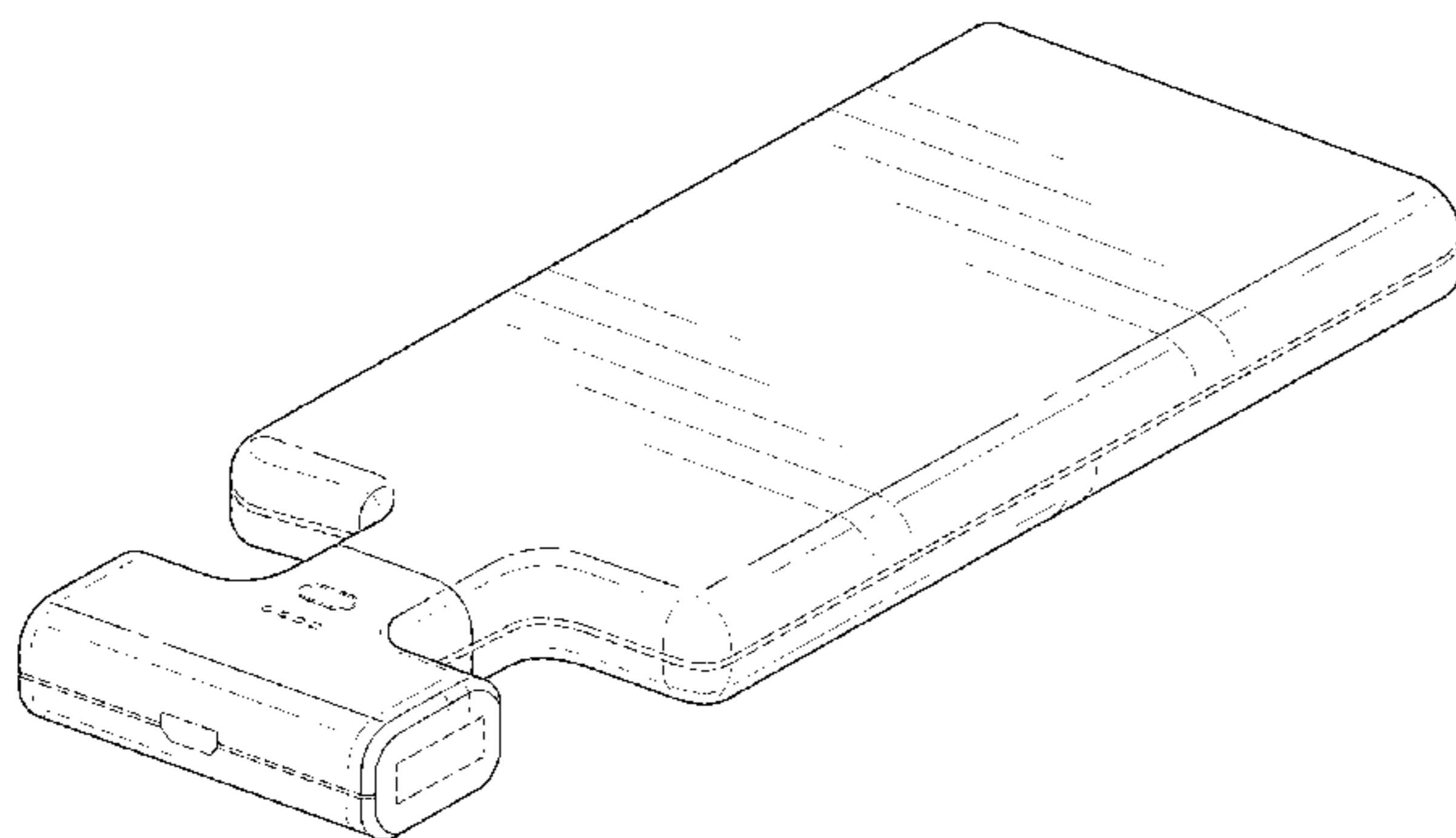


FIG. 5 is a rear side view thereof.

FIG. 6 is a left view thereof.

FIG. 7 is a right view thereof; and,

FIG. 8 is a bottom perspective view thereof.

The broken lines in the drawings illustrate elements of the mobile battery bank that form no part of the claimed design.

1 Claim, 4 Drawing Sheets

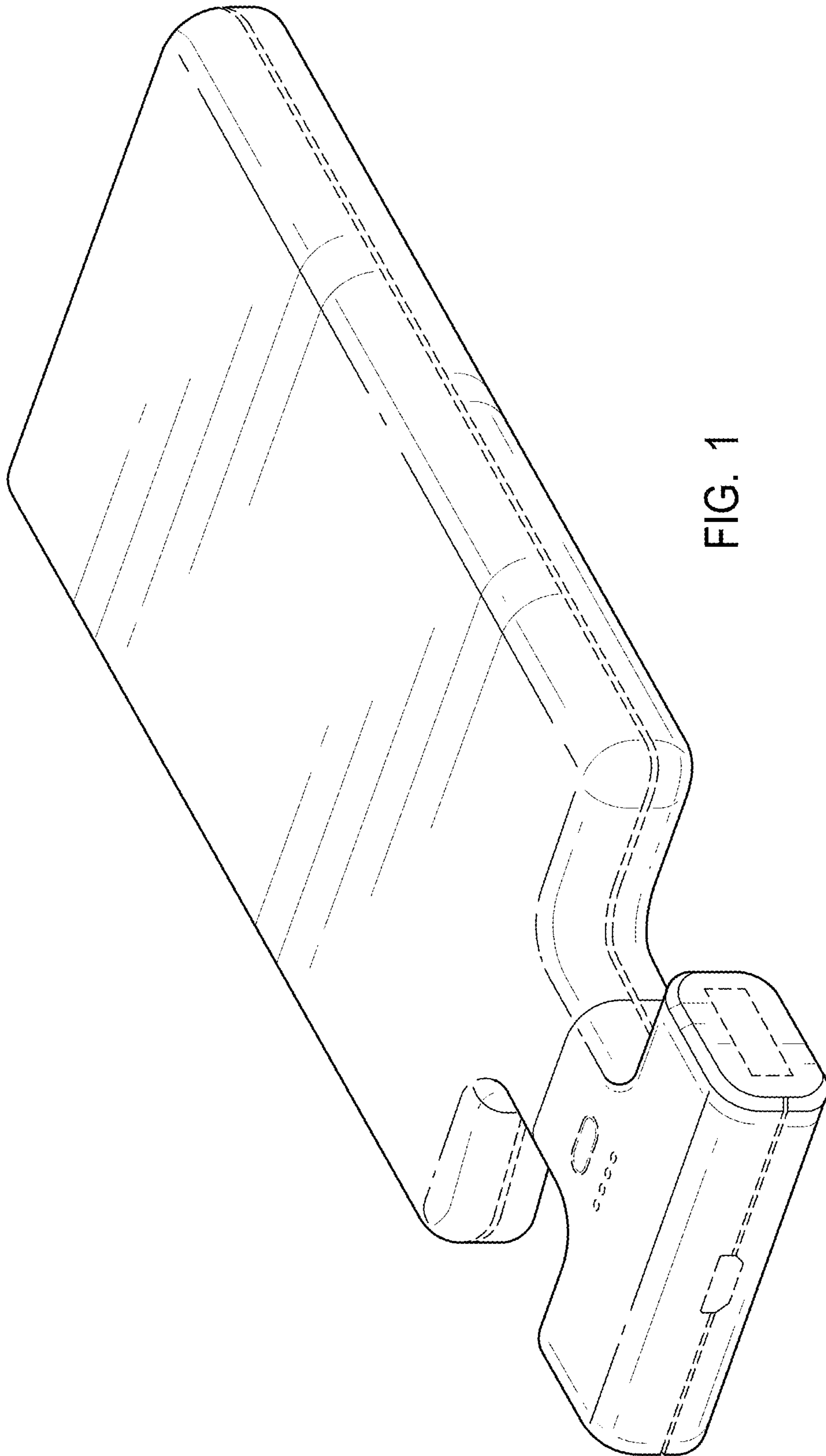


FIG. 1

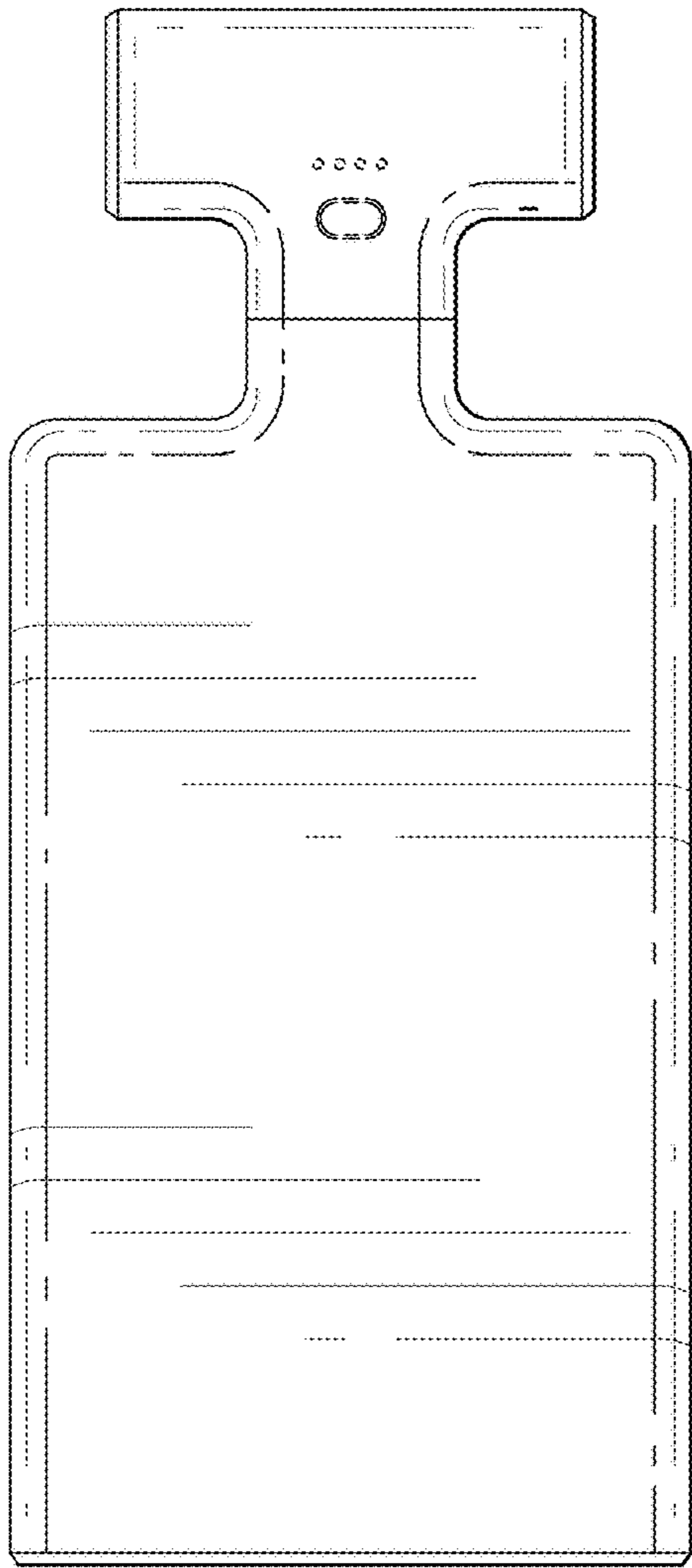


FIG. 2

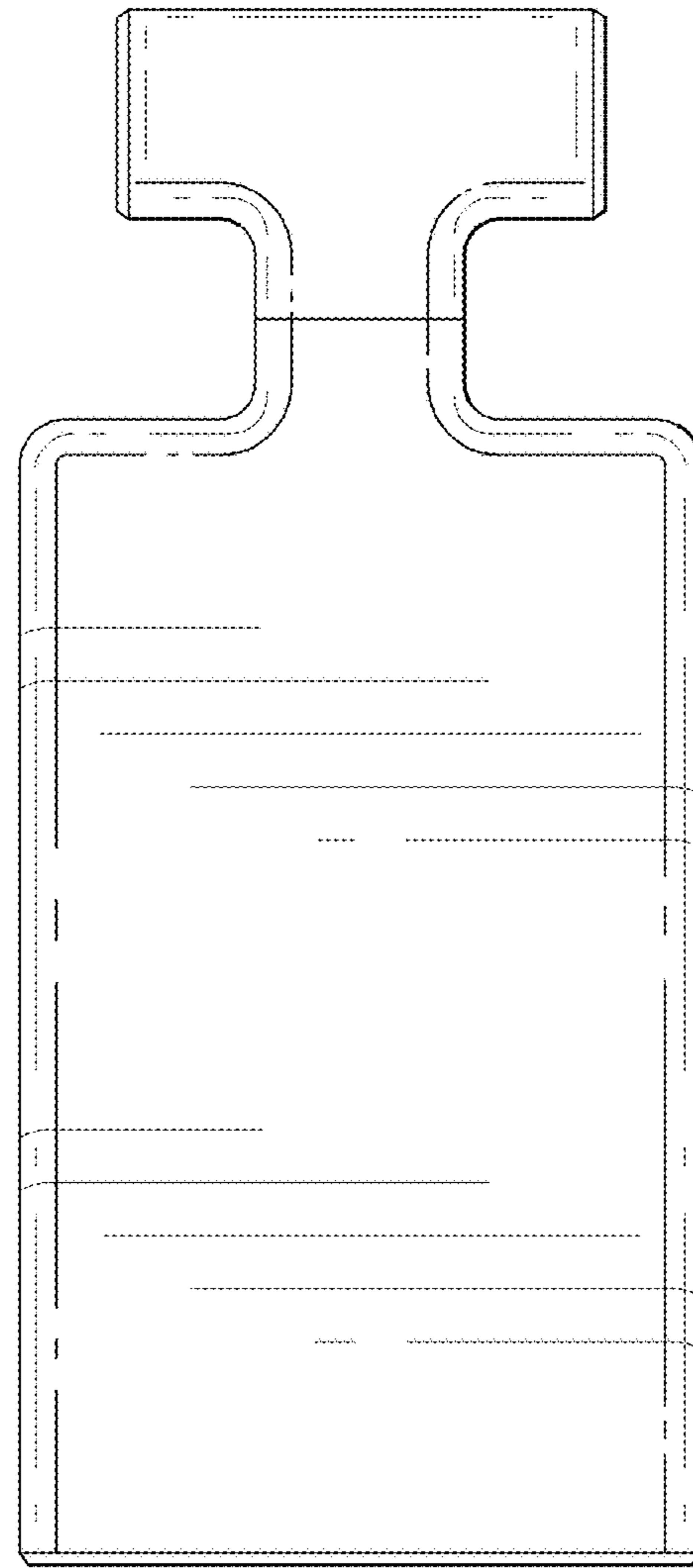


FIG. 3

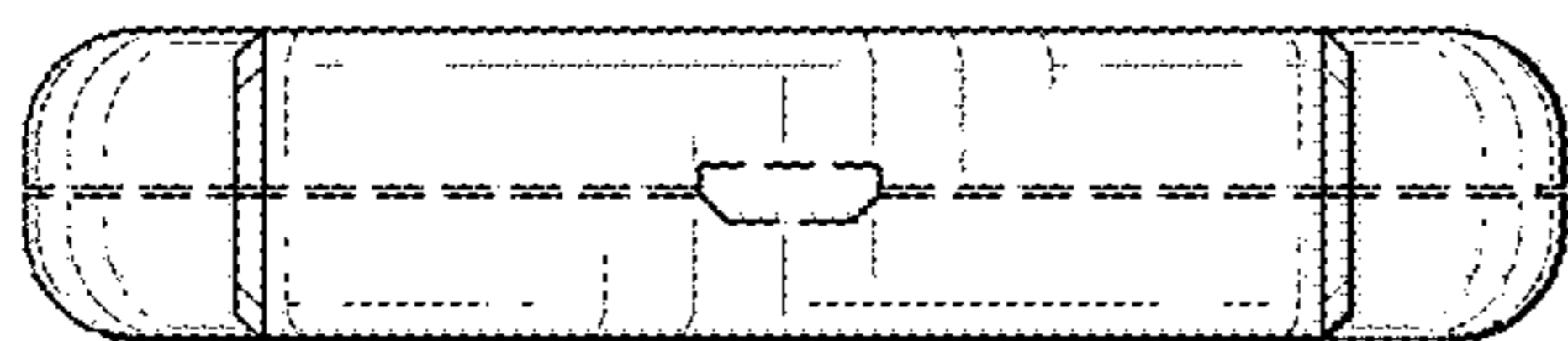


FIG. 4

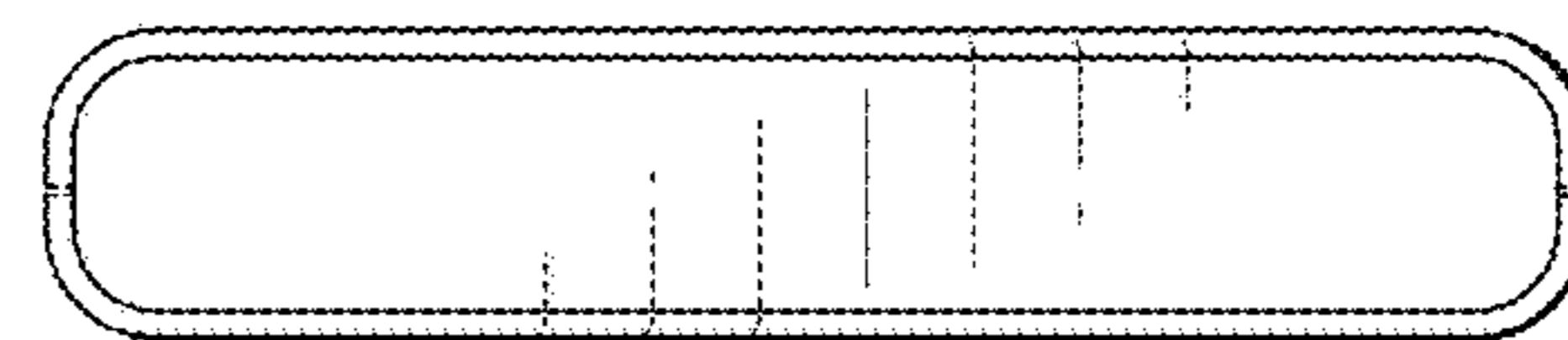


FIG. 5

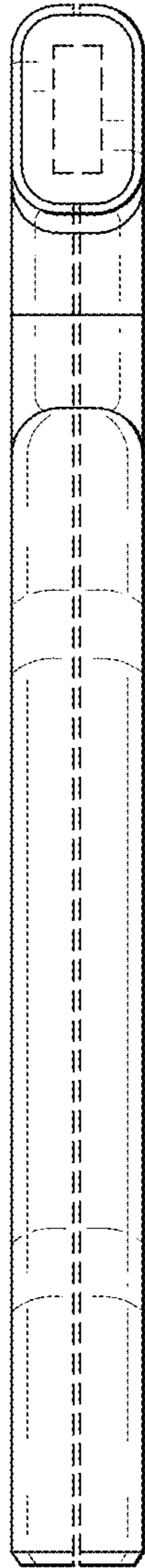


FIG. 6

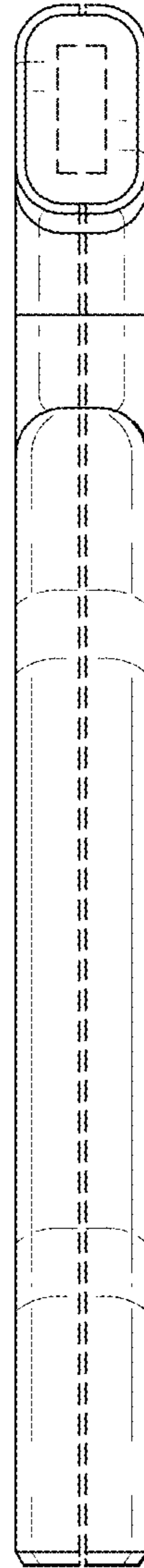


FIG. 7

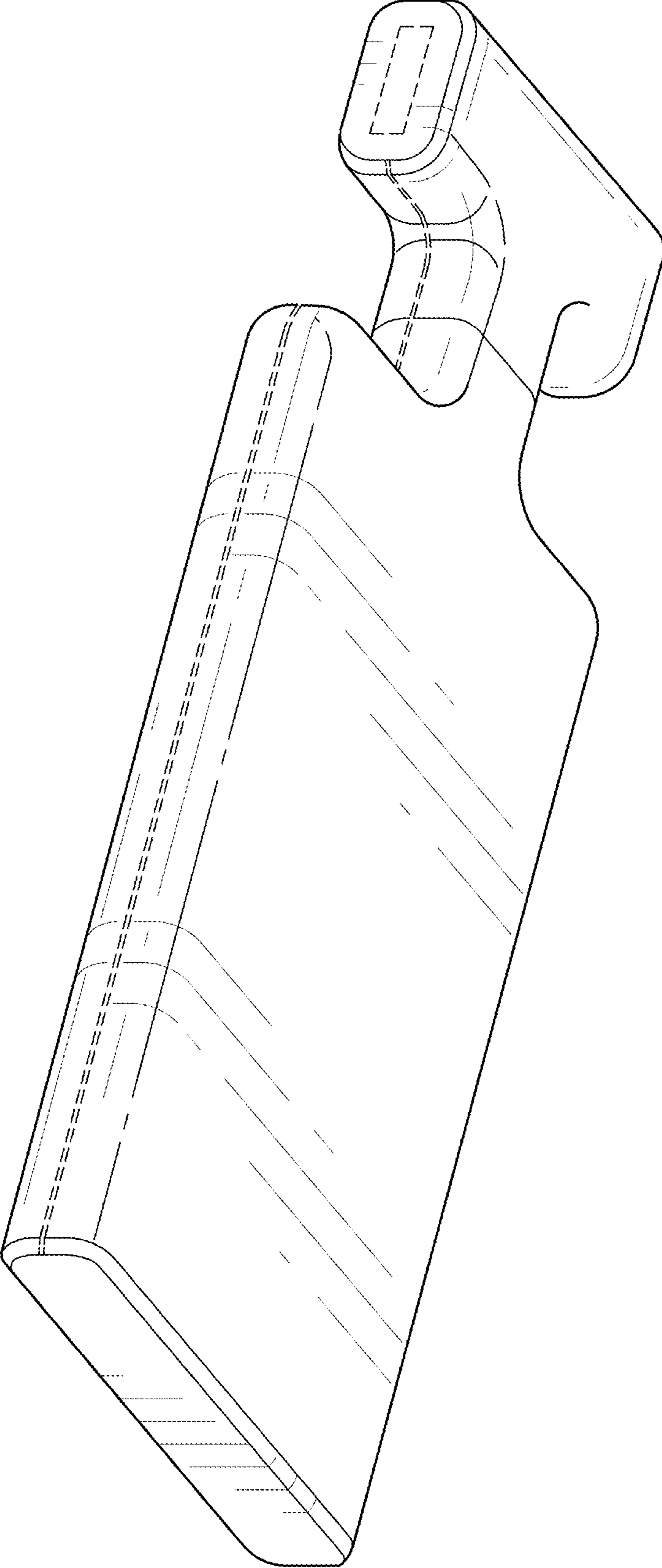


FIG. 8