



US00D795183S

(12) **United States Design Patent** (10) **Patent No.:** **US D795,183 S**
Akana et al. (45) **Date of Patent:** **** Aug. 22, 2017**

(54) **CHARGER**

(71) Applicant: **Apple Inc.**, Cupertino, CA (US)

(72) Inventors: **Jody Akana**, San Francisco, CA (US); **Molly Anderson**, San Francisco, CA (US); **Bartley K. Andre**, Palo Alto, CA (US); **Shota Aoyagi**, San Francisco, CA (US); **Anthony Michael Ashcroft**, San Francisco, CA (US); **Jeremy Bataillou**, San Francisco, CA (US); **Daniel J. Coster**, San Francisco, CA (US); **Daniele De Iuliis**, San Francisco, CA (US); **M. Evans Hankey**, San Francisco, CA (US); **Julian Hoenig**, San Francisco, CA (US); **Richard P. Howarth**, San Francisco, CA (US); **Jonathan P. Ive**, San Francisco, CA (US); **Duncan Robert Kerr**, San Francisco, CA (US); **Marc A. Newson**, London (GB); **Matthew Dean Rohrbach**, San Francisco, CA (US); **Peter Russell-Clarke**, San Francisco, CA (US); **Benjamin Andrew Shaffer**, San Jose, CA (US); **Mikael Silvanto**, San Francisco, CA (US); **Christopher J. Stringer**, Woodside, CA (US); **Clement Tissandier**, San Francisco, CA (US); **Eugene Antony Whang**, San Francisco, CA (US); **Rico Zörkendörfer**, San Francisco, CA (US)

(73) Assignee: **Apple Inc.**, Cupertino, CA (US)

(**) Term: **15 Years**

(21) Appl. No.: **29/538,659**

(22) Filed: **Sep. 4, 2015**

(51) **LOC (10) Cl.** **13-02**

(52) **U.S. Cl.**
USPC **D13/108**

(58) **Field of Classification Search**

USPC D13/107-110, 118-119, 184; D14/251, D14/253, 432, 434

(Continued)

(56) **References Cited**

U.S. PATENT DOCUMENTS
D221,081 S 7/1971 Kahn
D399,603 S * 10/1998 Hemsley, Jr. D28/66

(Continued)

OTHER PUBLICATIONS

U.S. Appl. No. 29/536,264, filed Aug. 14, 2015; Apple Inc.

Primary Examiner — Rosemary K Tarcza

Assistant Examiner — Nathaniel D Buckner

(74) *Attorney, Agent, or Firm* — Sterne, Kessler, Goldstein & Fox P.L.L.C.

(57) **CLAIM**

The ornamental design for a charger, as shown and described.

DESCRIPTION

FIG. 1 is a top front perspective view of a charger showing our new design;

FIG. 2 is a front view thereof;

FIG. 3 is a rear view thereof;

FIG. 4 is a left side view thereof;

FIG. 5 is a right side view thereof;

FIG. 6 is a top view thereof;

FIG. 7 is a bottom view thereof;

FIG. 8 is a top front perspective view thereof in an open state;

FIG. 9 is a top rear perspective view thereof;

FIG. 10 is a front view thereof;

FIG. 11 is a rear view thereof;

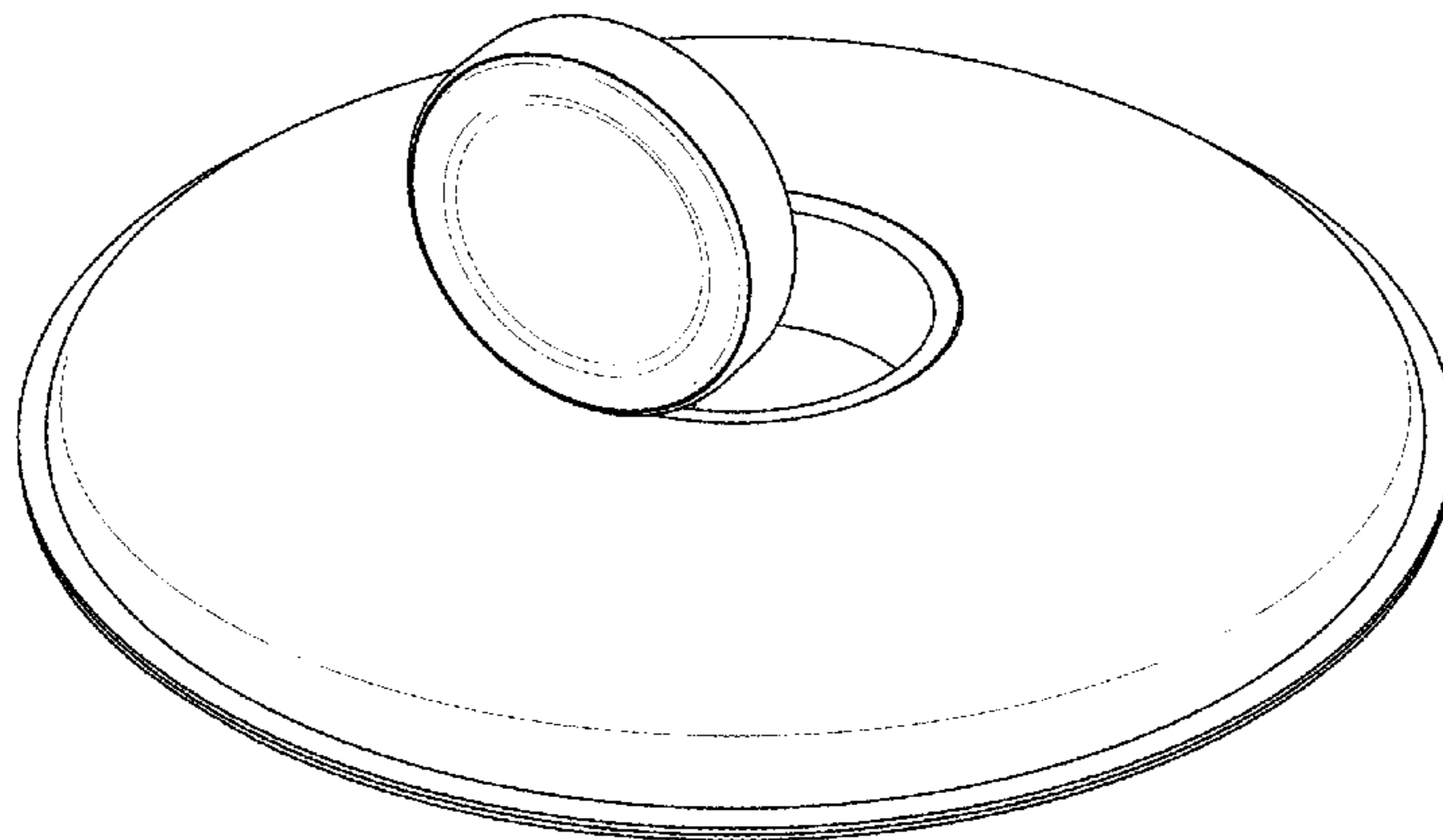
FIG. 12 is a left side view thereof;

FIG. 13 is a right side view thereof;

FIG. 14 is a top view thereof; and,

FIG. 15 is a bottom view thereof.

1 Claim, 11 Drawing Sheets



(58) **Field of Classification Search**

CPC Y02E 60/12; Y02T 90/14; Y02T 90/122;
 Y02T 90/128; Y02T 90/163; H02J 7/025;
 H02J 7/0042; H02J 7/0044; H02J 7/0045;
 H02J 7/0003; H01F 38/14;
 H01R 13/6675; H01M 2/1022;
 H01M 2/1055; H01M 10/44;
 H01M 10/46; H01M 10/425;
 B60L 11/182

See application file for complete search history.

(56)

References Cited

U.S. PATENT DOCUMENTS

D433,994 S * 11/2000 Jobs D13/110
 D461,813 S 8/2002 Chang
 D523,750 S * 6/2006 Lee D28/82
 D533,063 S * 12/2006 Lee D9/449
 D599,241 S 9/2009 Andre et al.
 D620,884 S 8/2010 Lee et al.
 D625,262 S 10/2010 Lee et al.
 D640,976 S 7/2011 Matsuoka
 D643,844 S 8/2011 Akana et al.
 D654,431 S 2/2012 Stephanchick et al.
 D659,093 S 5/2012 Schmid et al.
 D662,939 S 7/2012 Akana et al.
 D673,110 S 12/2012 Sasada et al.
 D687,772 S 8/2013 Chikos et al.
 D694,182 S 11/2013 Lee et al.

D697,027 S 1/2014 Ho
 D697,510 S * 1/2014 Sato D14/420
 D701,831 S 4/2014 Park et al.
 D704,634 S 5/2014 Eidelman et al.
 D705,815 S * 5/2014 Green D14/509
 D706,212 S 6/2014 Zwierstra et al.
 D718,233 S 11/2014 Aumiller et al.
 D718,234 S 11/2014 Rautiainen
 D718,236 S 11/2014 Murray
 D718,712 S 12/2014 Aumiller et al.
 D720,289 S 12/2014 Chiang et al.
 D725,034 S 3/2015 Chen
 D727,260 S 4/2015 Aumiller et al.
 D735,131 S 7/2015 Akana et al.
 D741,256 S * 10/2015 Murphy-Reinhertz D13/108
 D747,267 S * 1/2016 Aumiller D13/108
 D749,044 S * 2/2016 Huang D13/108
 D756,216 S * 5/2016 El-Debs D9/420
 D757,010 S * 5/2016 Kang D14/420
 D757,014 S * 5/2016 Hahn D13/108
 D765,084 S * 8/2016 Akana D14/439
 D777,103 S * 1/2017 Park D13/108
 D782,973 S * 4/2017 Zhou D13/108
 D784,259 S * 4/2017 Huang D13/108
 D786,193 S * 5/2017 Akana D13/108
 2009/0134838 A1 * 5/2009 Raghuprasad H02K 53/00
 320/108
 2012/0104999 A1 5/2012 Teggatz et al.
 2014/0117926 A1 5/2014 Hwu et al.
 2015/0091500 A1 4/2015 Claudepierre

* cited by examiner

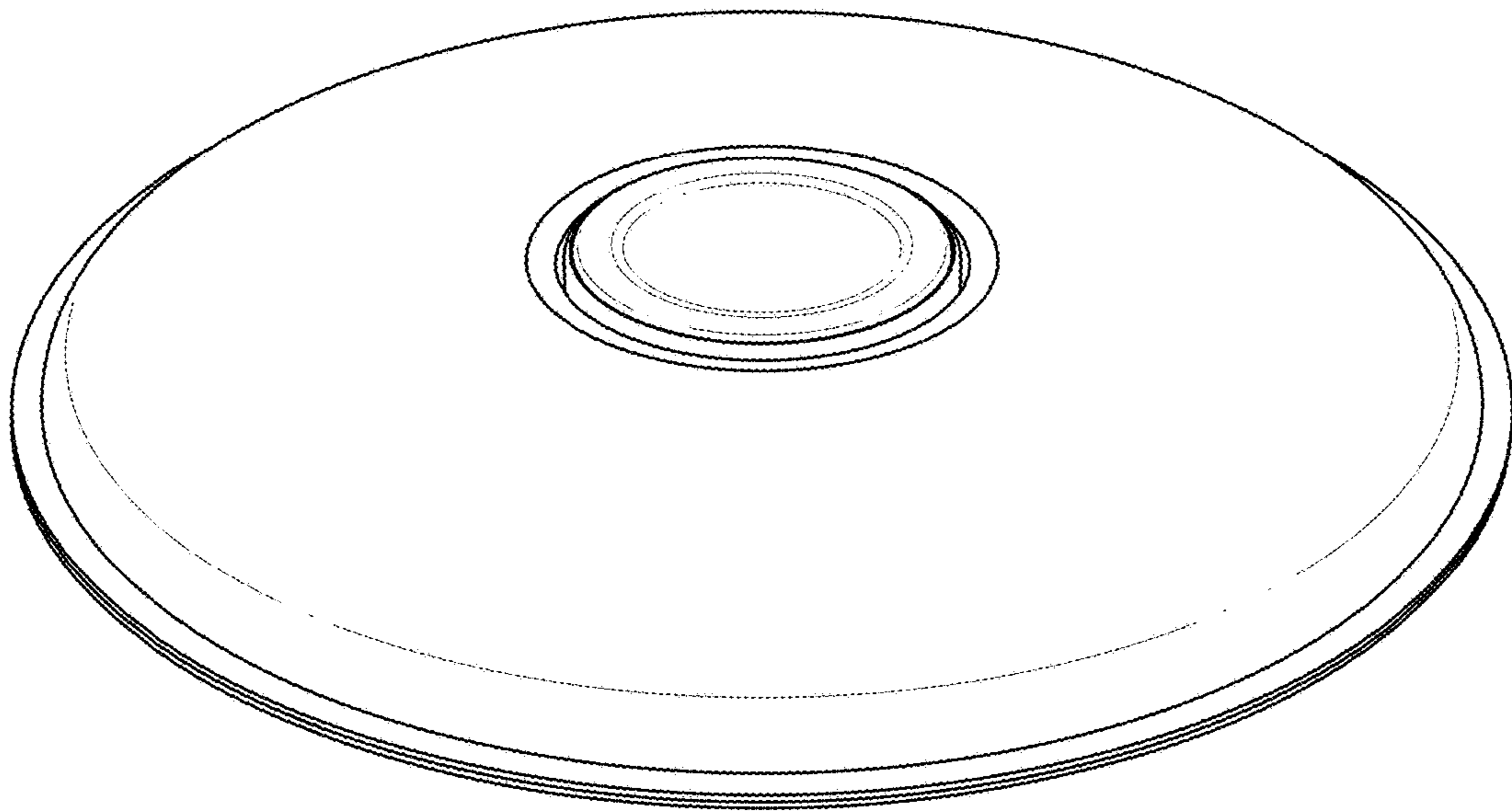


FIG. 1

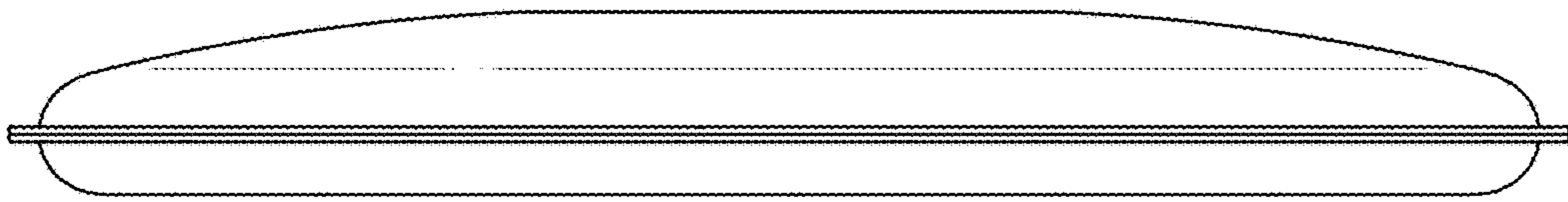


FIG. 2

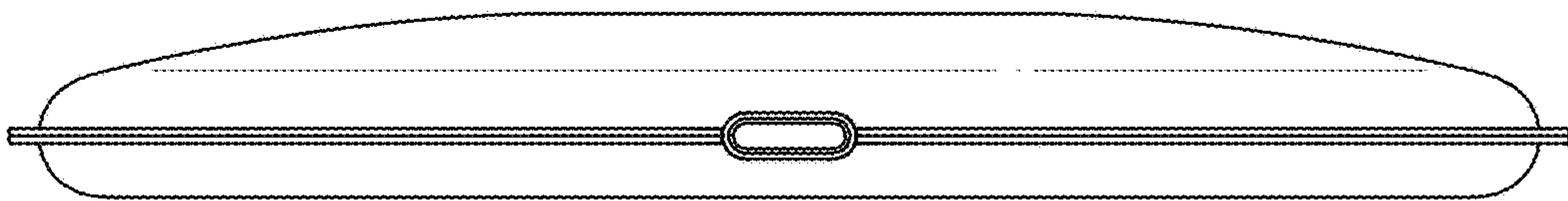


FIG. 3

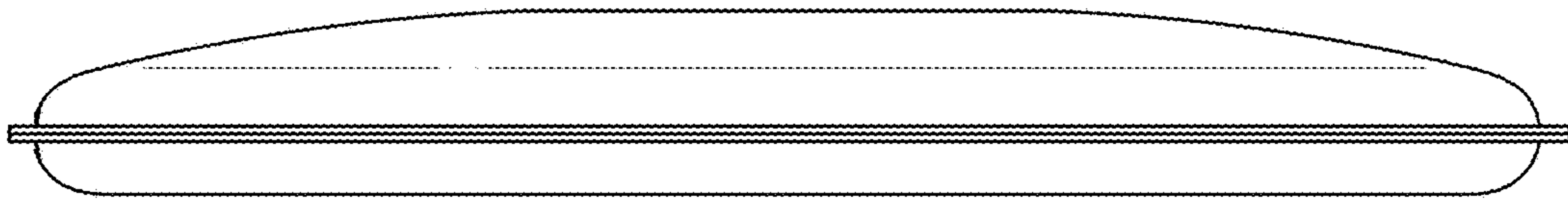


FIG. 4

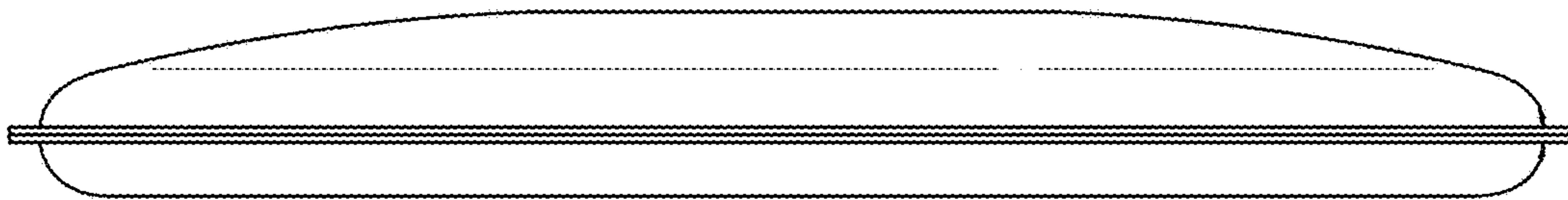


FIG. 5

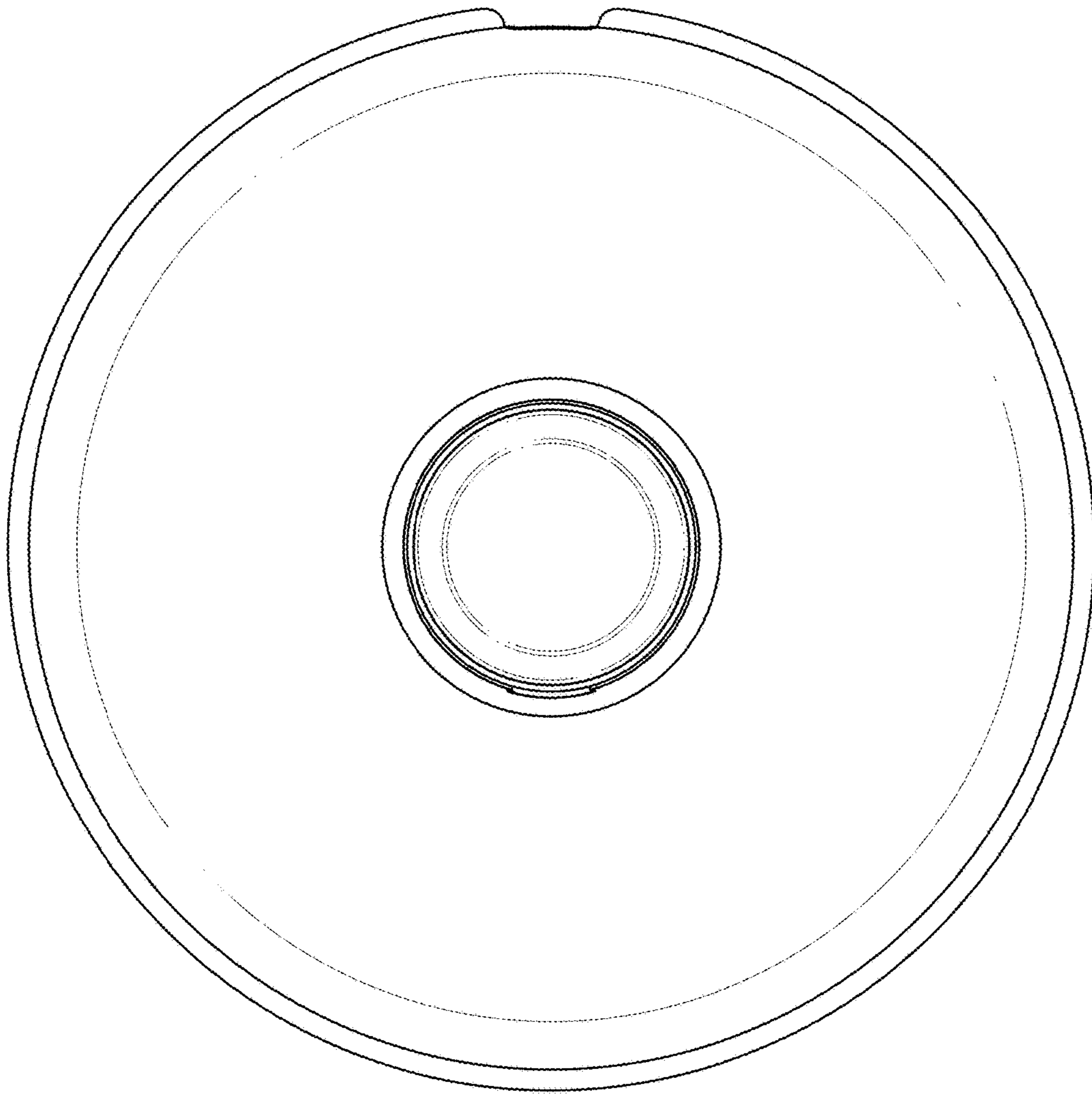


FIG. 6

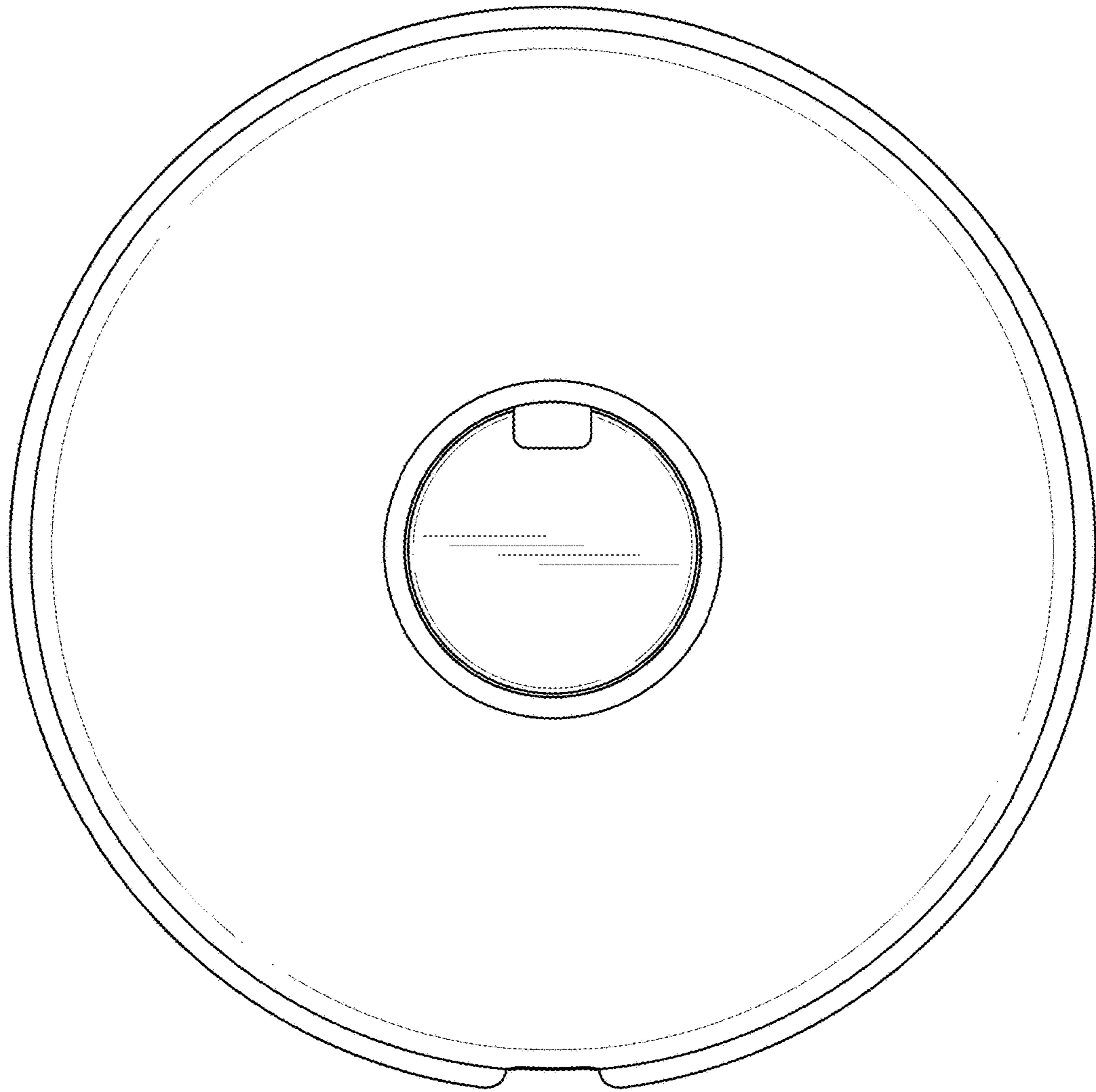


FIG. 7

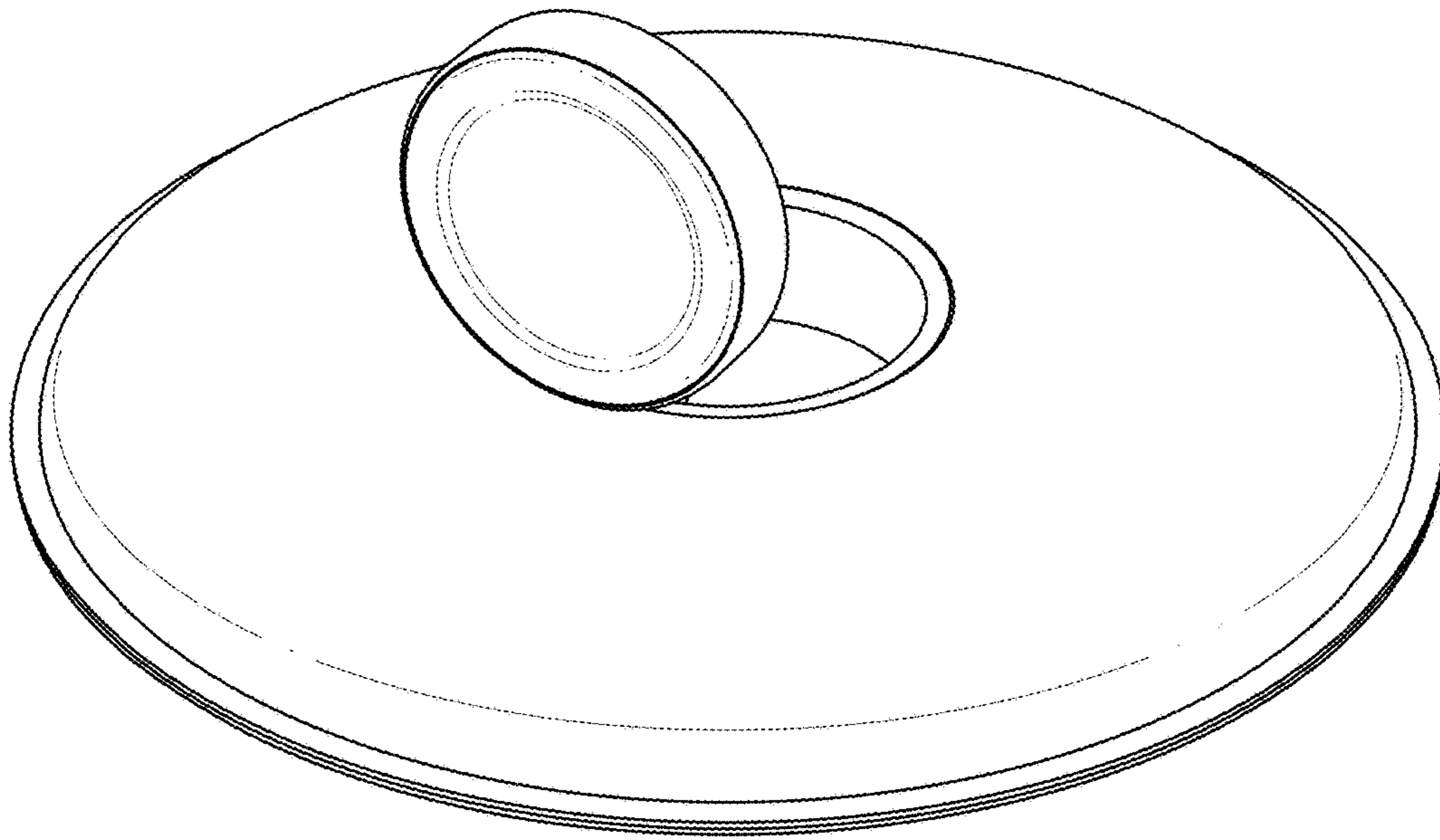


FIG. 8

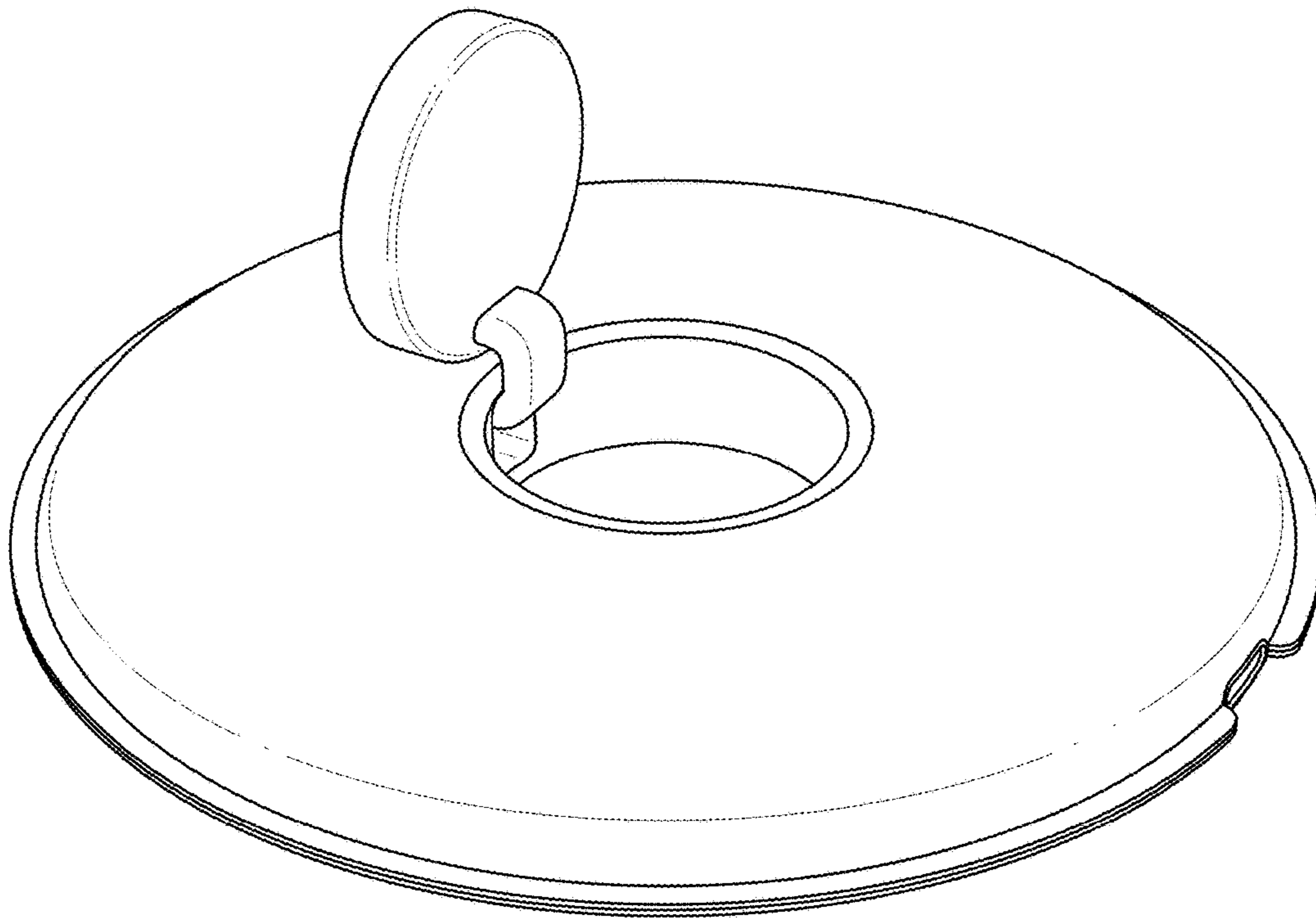


FIG. 9

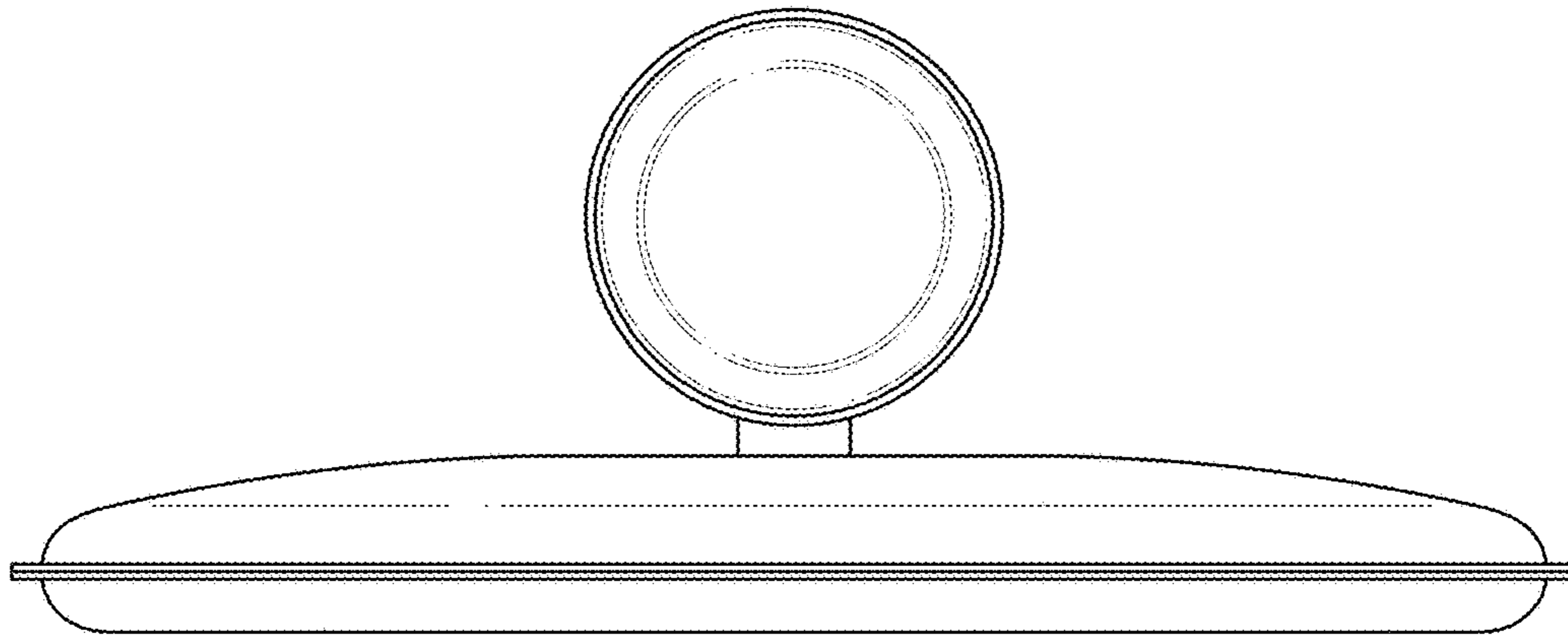


FIG. 10

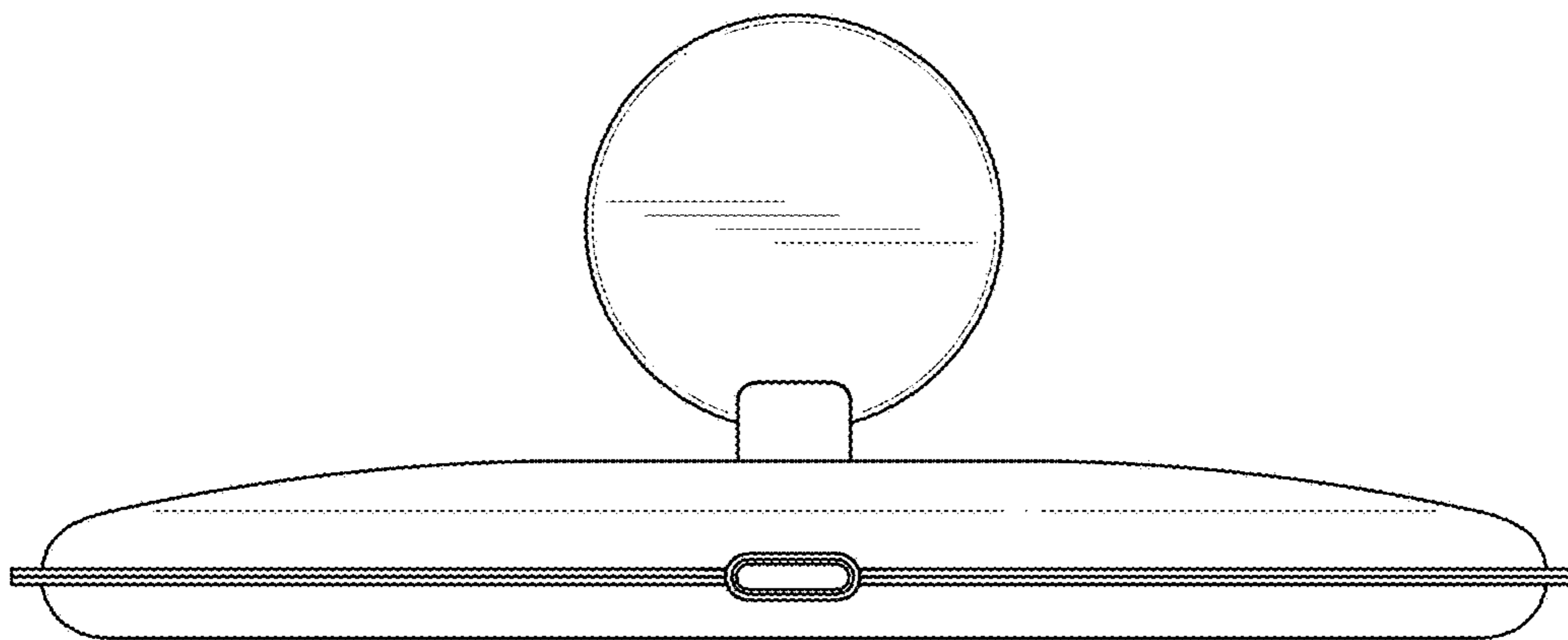


FIG. 11

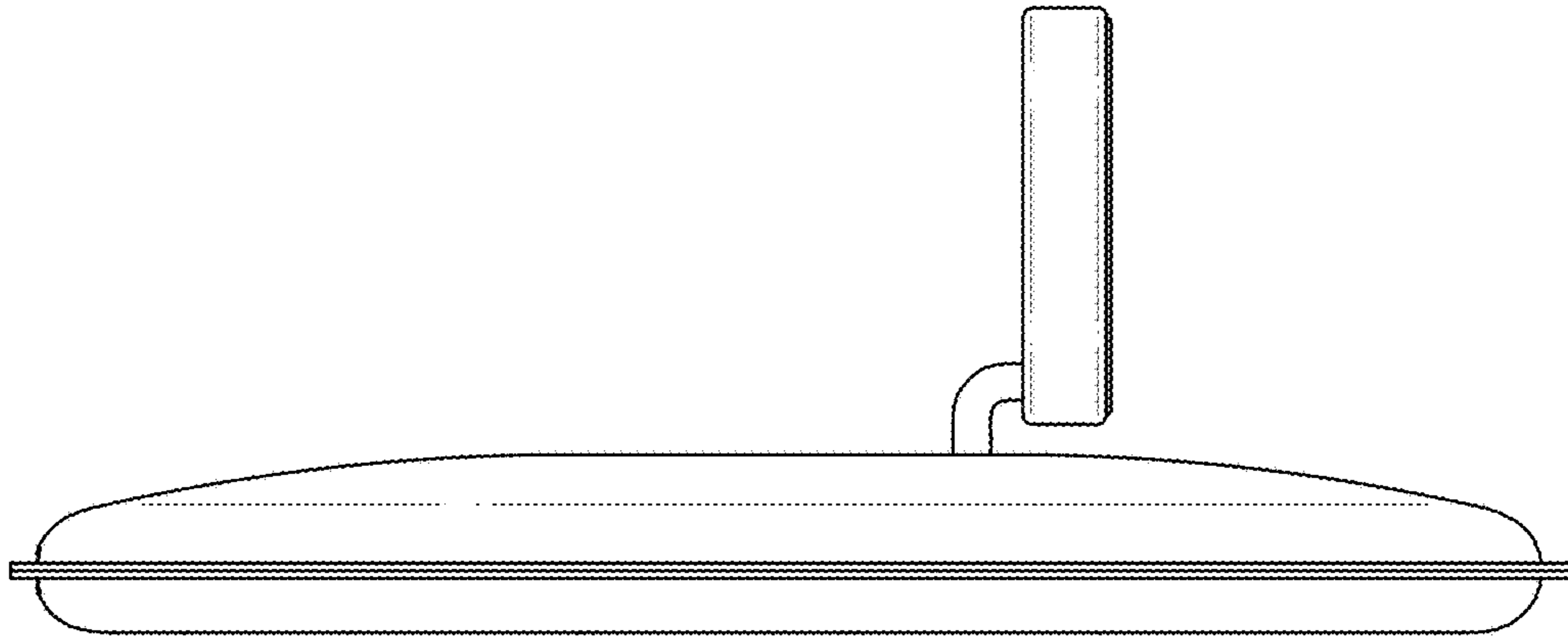


FIG. 12

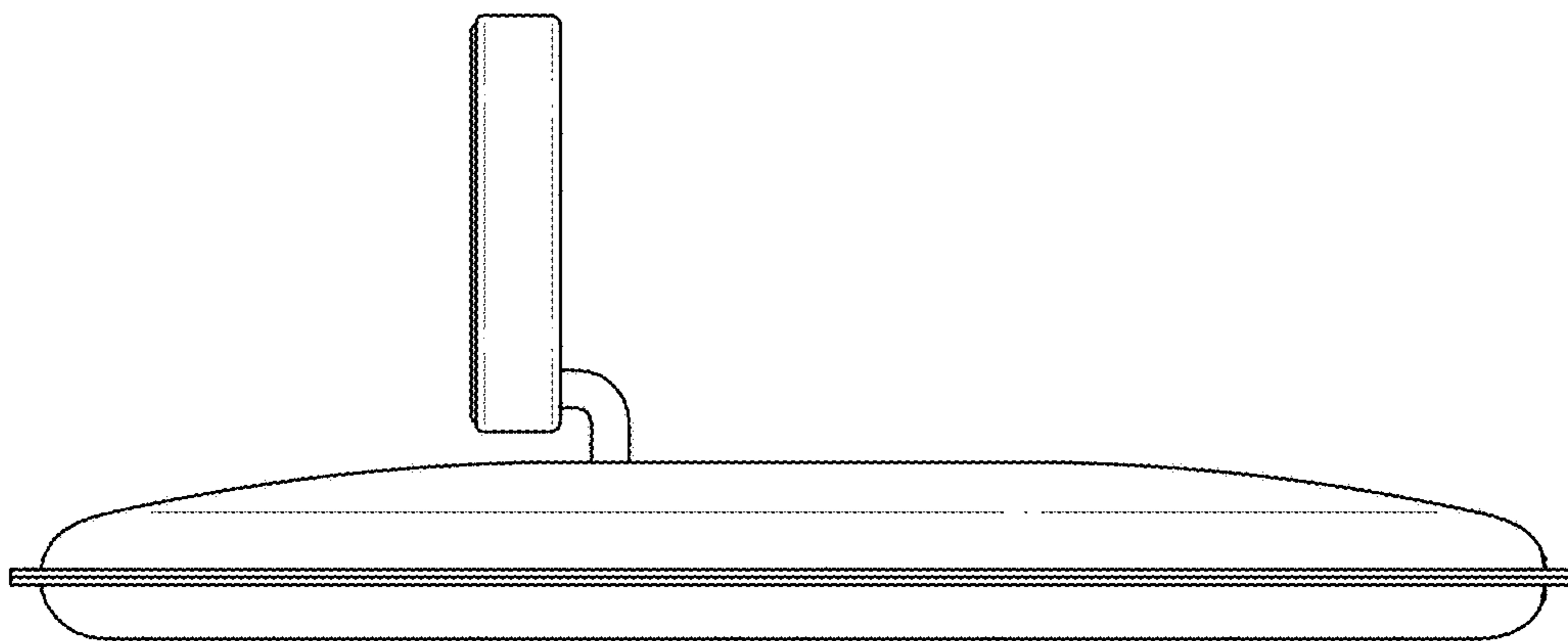


FIG. 13

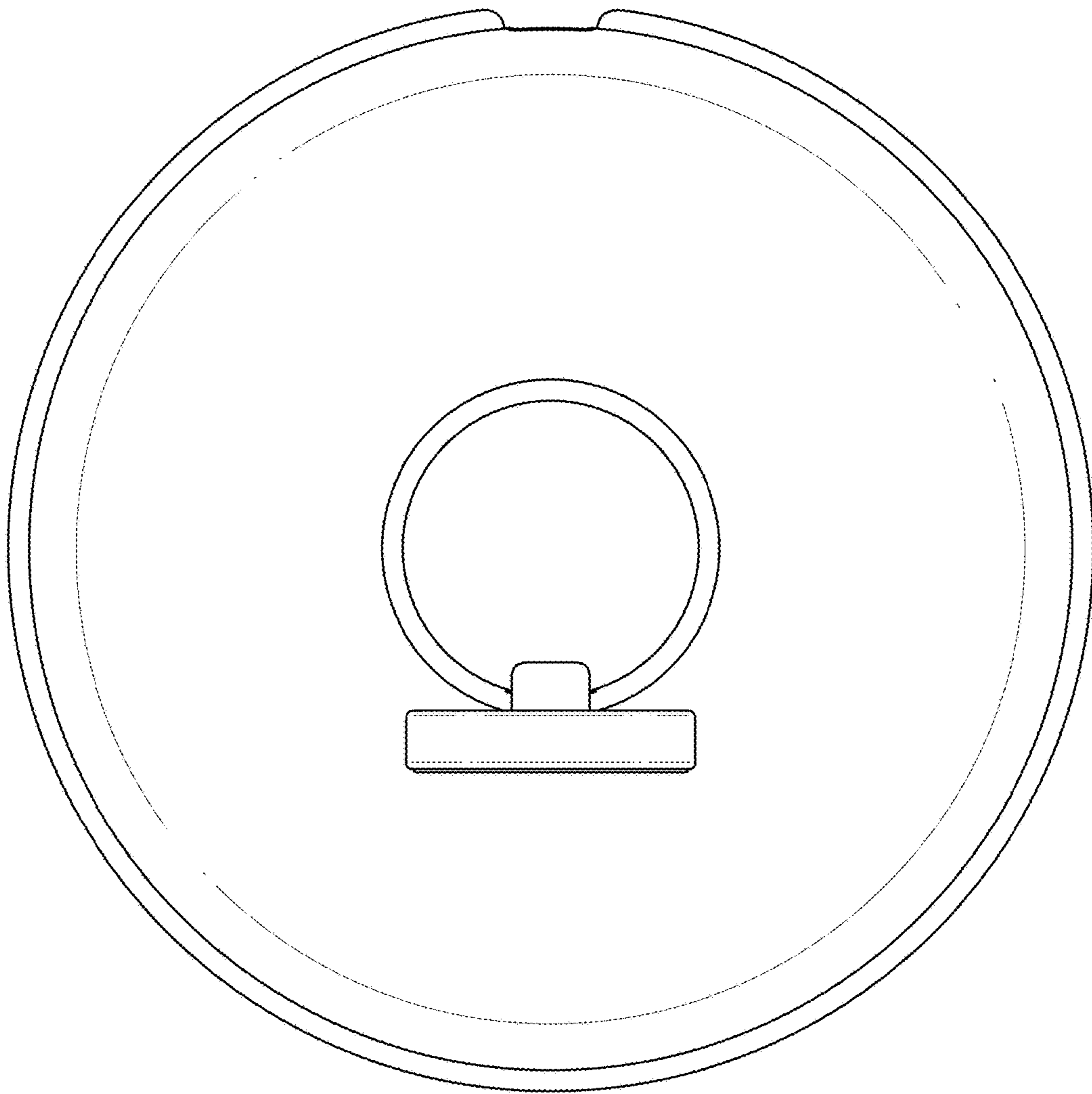


FIG. 14

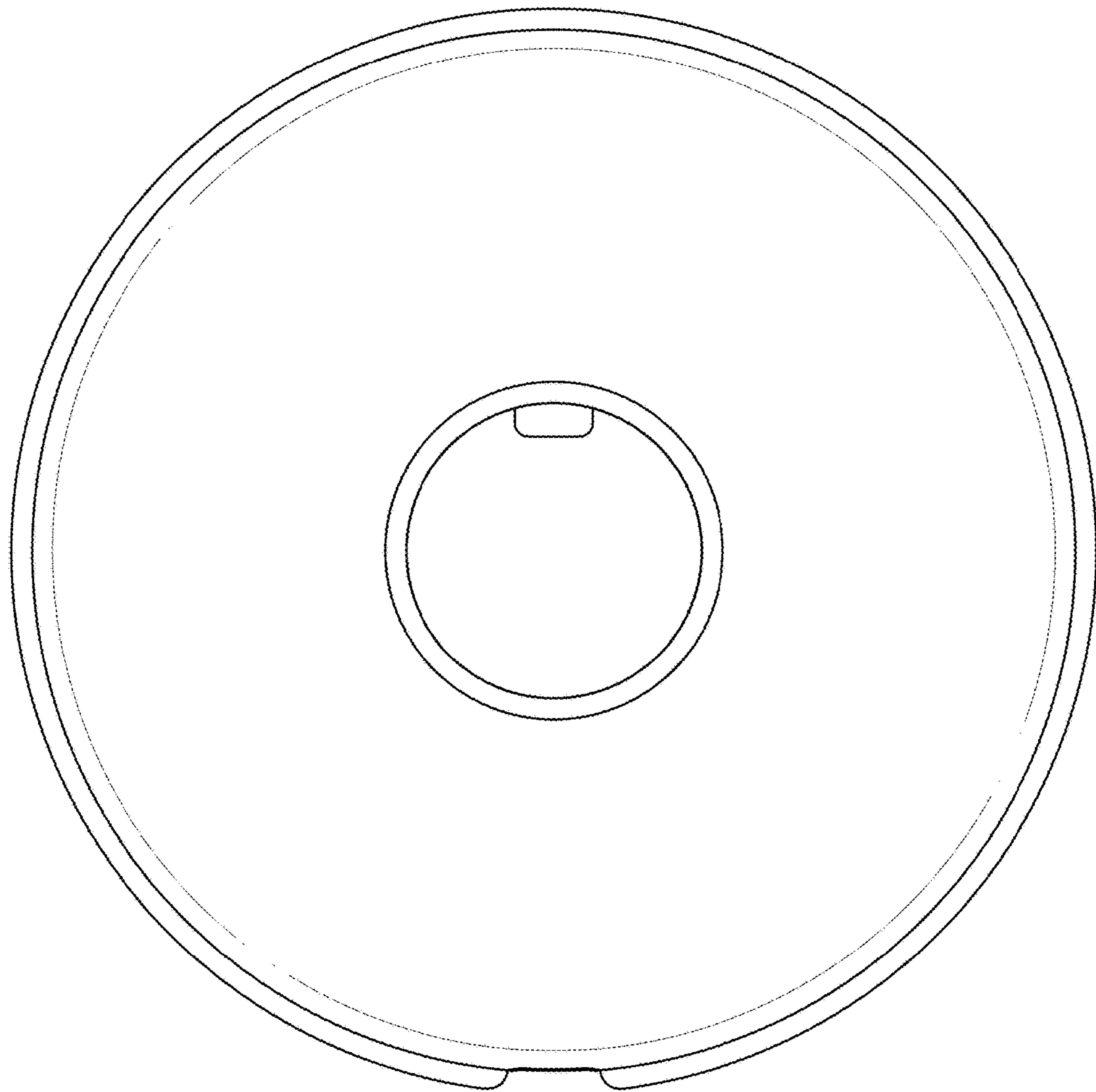


FIG. 15