



US00D795182S

(12) **United States Design Patent** (10) **Patent No.:** **US D795,182 S**
Akana et al. (45) **Date of Patent:** **** Aug. 22, 2017**

(54) **CHARGER**

(71) Applicant: **Apple Inc.**, Cupertino, CA (US)

(72) Inventors: **Jody Akana**, San Francisco, CA (US); **Bartley K. Andre**, Palo Alto, CA (US); **Shota Aoyagi**, San Francisco, CA (US); **Anthony Michael Ashcroft**, San Francisco, CA (US); **Jeremy Bataillou**, San Francisco, CA (US); **Daniel J. Coster**, San Francisco, CA (US); **Daniele De Iuliis**, San Francisco, CA (US); **Christopher Graham**, San Francisco, CA (US); **M. Evans Hankey**, San Francisco, CA (US); **Julian Hoenig**, San Francisco, CA (US); **Richard P. Howarth**, San Francisco, CA (US); **Jonathan P. Ive**, San Francisco, CA (US); **Duncan Robert Kerr**, San Francisco, CA (US); **Marc A. Newson**, London (GB); **Matthew Dean Rohrbach**, San Francisco, CA (US); **Peter Russell-Clarke**, San Francisco, CA (US); **Benjamin Andrew Shaffer**, San Jose, CA (US); **Mikael Silvanto**, San Francisco, CA (US); **Christopher J. Stringer**, Woodside, CA (US); **Paul Thompson**, Mountain View, CA (US); **Eugene Antony Whang**, San Francisco, CA (US); **Rico Zörkendörfer**, San Francisco, CA (US)

(73) Assignee: **Apple Inc.**, Cupertino, CA (US)

(**) Term: **15 Years**

(21) Appl. No.: **29/536,264**

(22) Filed: **Aug. 14, 2015**

(51) **LOC (10) Cl.** **13-02**

(52) **U.S. Cl.**
USPC **D13/108**

(58) **Field of Classification Search**

USPC D13/107-110, 118-119, 184; D14/251, D14/253, 432, 434
CPC Y02E 60/12; Y02T 90/14; Y02T 90/122; Y02T 90/128; Y02T 90/163; H02J 7/025; H02J 7/0042; H02J 7/0044; H02J 7/0045; H02J 7/0003; H01F 38/14; H01R 13/6675; H01M 2/1022; H01M 2/1055; H01M 10/44;

(Continued)

(56) **References Cited**

U.S. PATENT DOCUMENTS

D221,081 S 7/1971 Kahn
D399,603 S * 10/1998 Hemsley, Jr. D28/66

(Continued)

Primary Examiner — Rosemary K Tarcza

Assistant Examiner — Nathaniel D Buckner

(74) *Attorney, Agent, or Firm* — Sterne, Kessler, Goldstein & Fox P.L.L.C.

(57) **CLAIM**

The ornamental design for a charger, as shown and described.

DESCRIPTION

FIG. 1 is a top perspective view of a charger showing our new design;

FIG. 2 is a bottom perspective view thereof;

FIG. 3 is a front view thereof;

FIG. 4 is a rear view thereof;

FIG. 5 is a right side view thereof;

FIG. 6 is a left side view thereof;

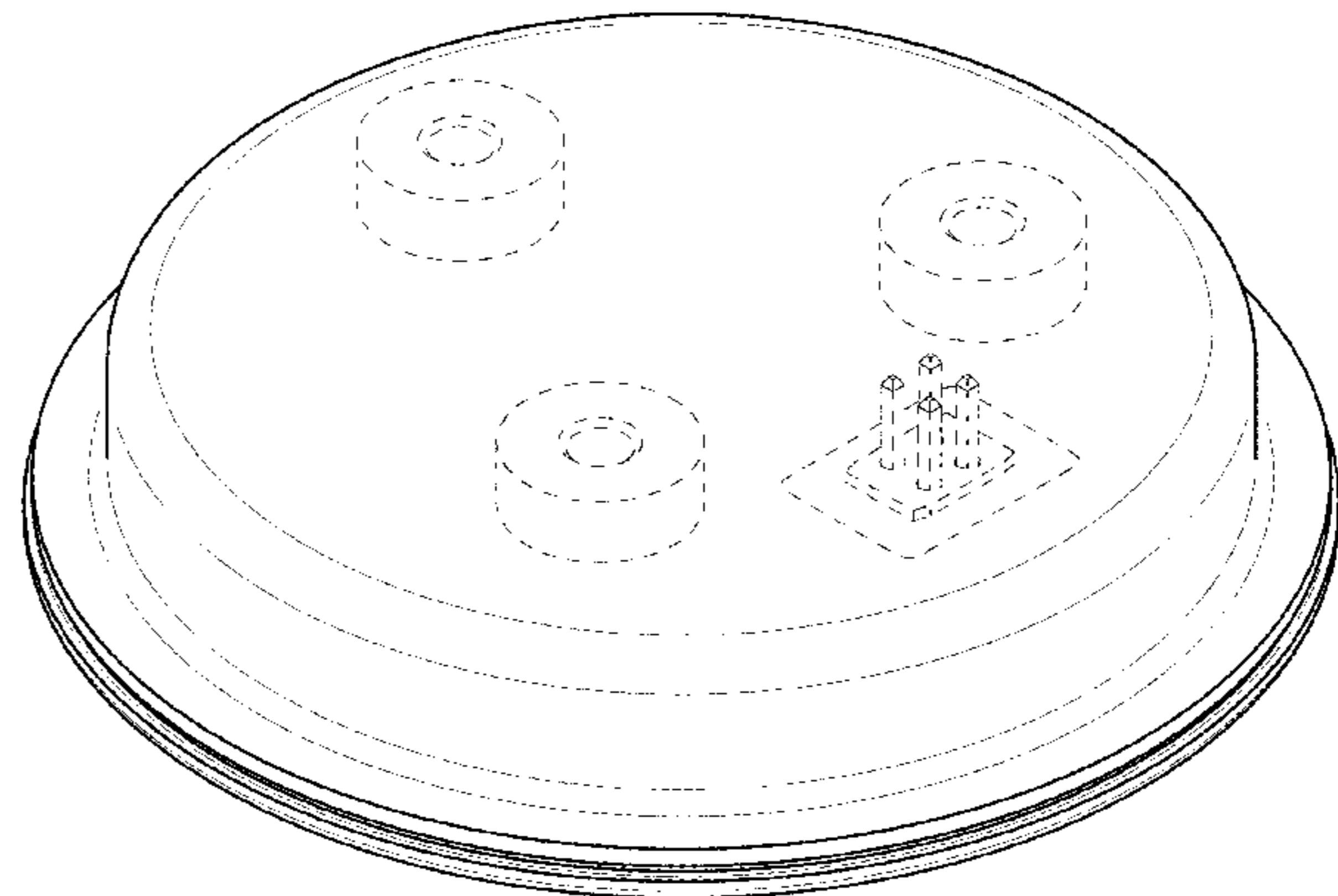
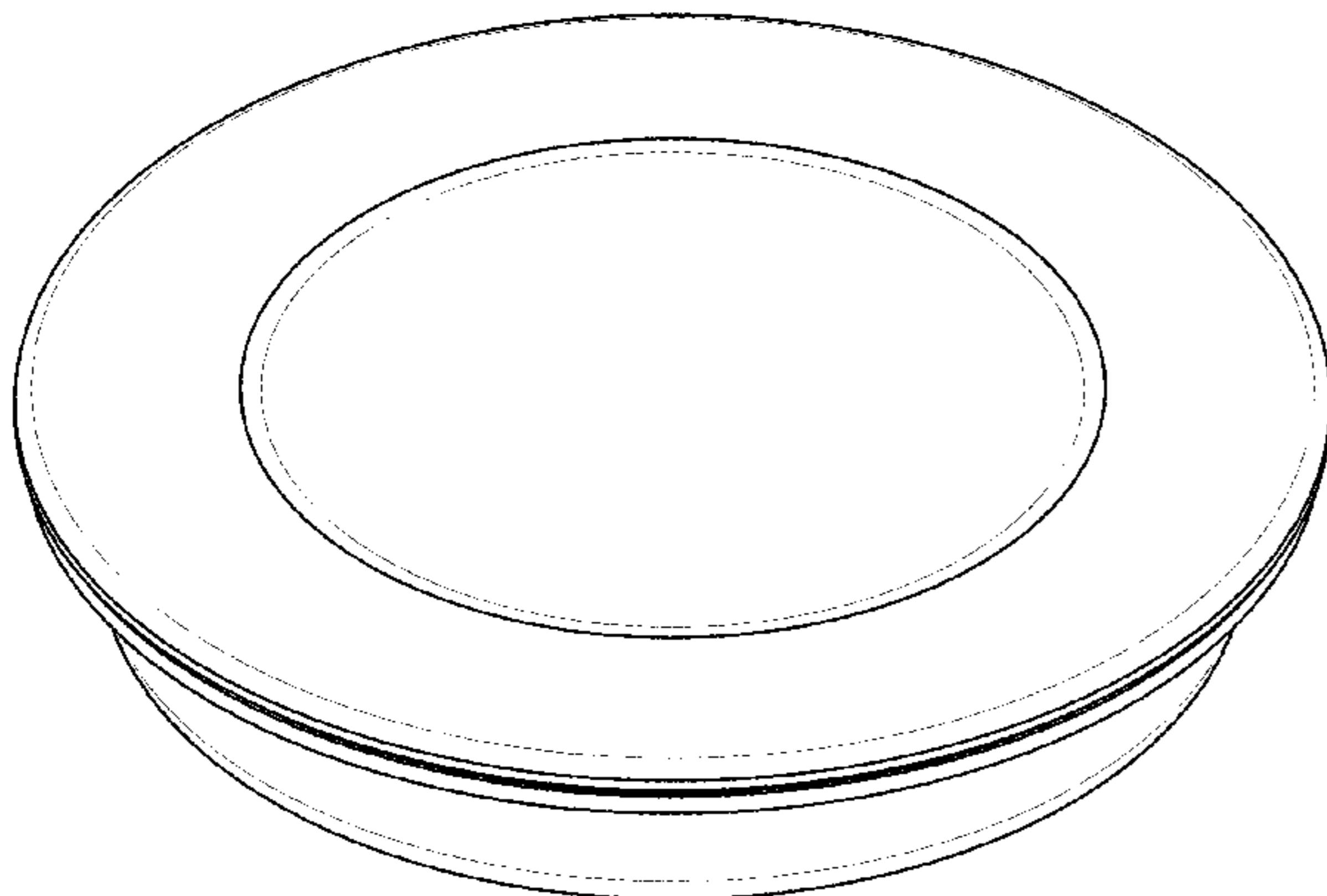
FIG. 7 is a top view thereof; and,

FIG. 8 is a bottom view thereof.

The broken lines in the figures show portions of the charger that form no part of the claimed design.

The shade lines in the figures show contour and not surface ornamentation.

1 Claim, 8 Drawing Sheets



(58) **Field of Classification Search**
 CPC ... H01M 10/46; H01M 10/425; B60L 11/182
 See application file for complete search history.

(56) **References Cited**

U.S. PATENT DOCUMENTS

D433,994 S * 11/2000 Jobs D13/110
 D461,813 S 8/2002 Chang
 D523,750 S * 6/2006 Lee D28/82
 D533,063 S * 12/2006 Lee D9/449
 D599,241 S 9/2009 Andre et al.
 D620,884 S 8/2010 Lee et al.
 D625,262 S 10/2010 Lee et al.
 D640,976 S 7/2011 Matsuoka
 D643,844 S 8/2011 Akana et al.
 D654,431 S 2/2012 Stephanchick et al.
 D659,093 S 5/2012 Schmid et al.
 D662,939 S 7/2012 Akana et al.
 D673,110 S 12/2012 Sasada et al.
 D687,772 S 8/2013 Chikos et al.
 D694,182 S 11/2013 Lee et al.
 D697,027 S 1/2014 Ho
 D697,510 S * 1/2014 Sato D14/420
 D701,831 S 4/2014 Park et al.
 D704,634 S 5/2014 Eidelman et al.

D705,815 S * 5/2014 Green D14/509
 D706,212 S 6/2014 Zwierstra et al.
 D718,233 S 11/2014 Aumiller et al.
 D718,234 S 11/2014 Rautiainen
 D718,236 S 11/2014 Murray
 D718,712 S 12/2014 Aumiller et al.
 D720,289 S 12/2014 Chiang et al.
 D725,034 S 3/2015 Chen
 D727,260 S 4/2015 Aumiller et al.
 D735,131 S 7/2015 Akana et al.
 D741,256 S * 10/2015 Murphy-Reinhertz D13/108
 D747,267 S * 1/2016 Aumiller D13/108
 D749,044 S * 2/2016 Huang D13/108
 D756,216 S * 5/2016 El-Debs D9/420
 D757,010 S * 5/2016 Kang D14/420
 D757,014 S * 5/2016 Hahn D13/108
 D765,084 S * 8/2016 Akana D14/439
 D777,103 S * 1/2017 Park D13/108
 D782,973 S * 4/2017 Zhou D13/108
 D784,259 S * 4/2017 Huang D13/108
 D786,193 S * 5/2017 Akana D13/108
 2009/0134838 A1 * 5/2009 Raghuprasad H02K 53/00
 320/108
 2012/0104999 A1 5/2012 Teggatz et al.
 2014/0117926 A1 5/2014 Hwu et al.
 2015/0091500 A1 4/2015 Claudepierre

* cited by examiner

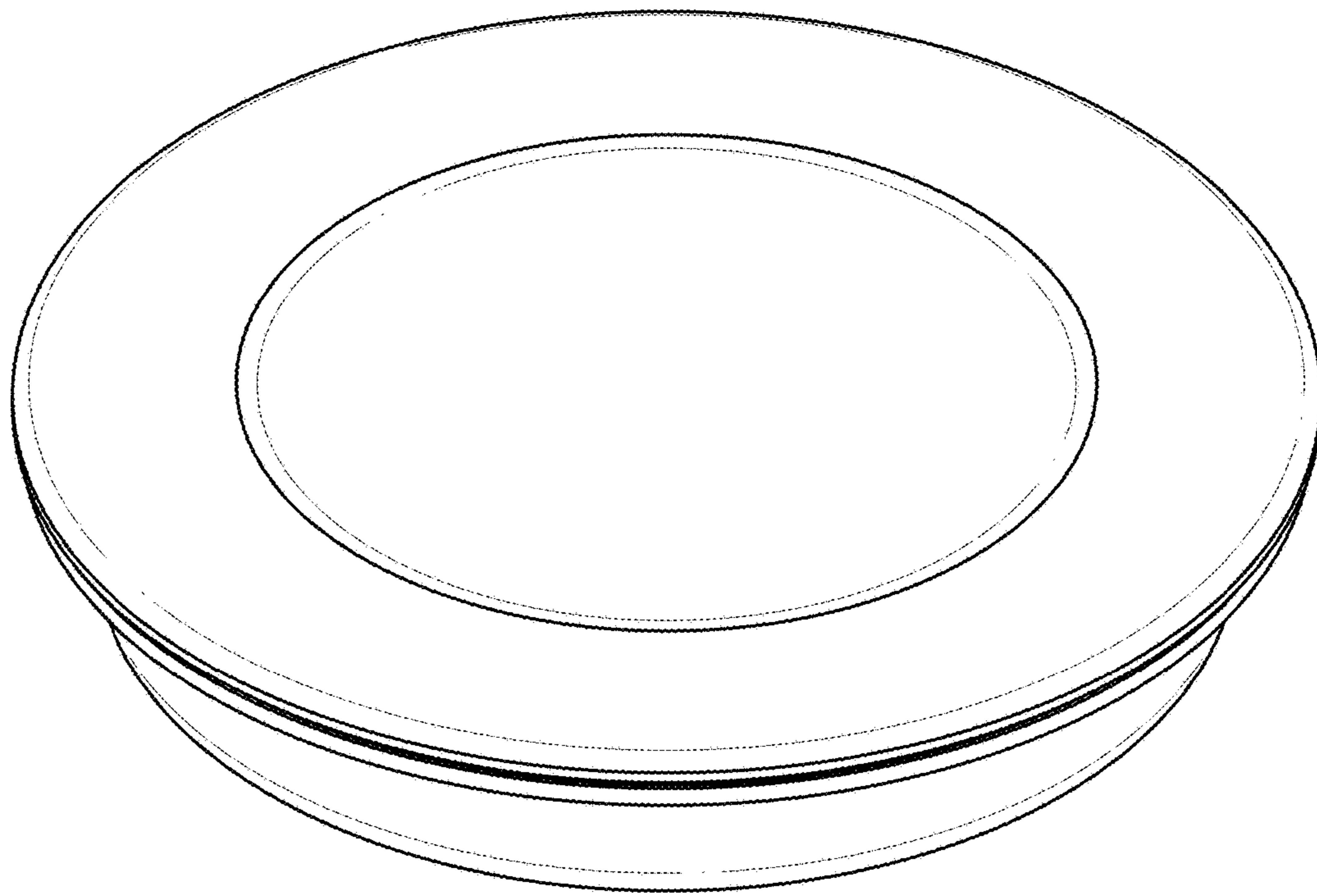


FIG. 1

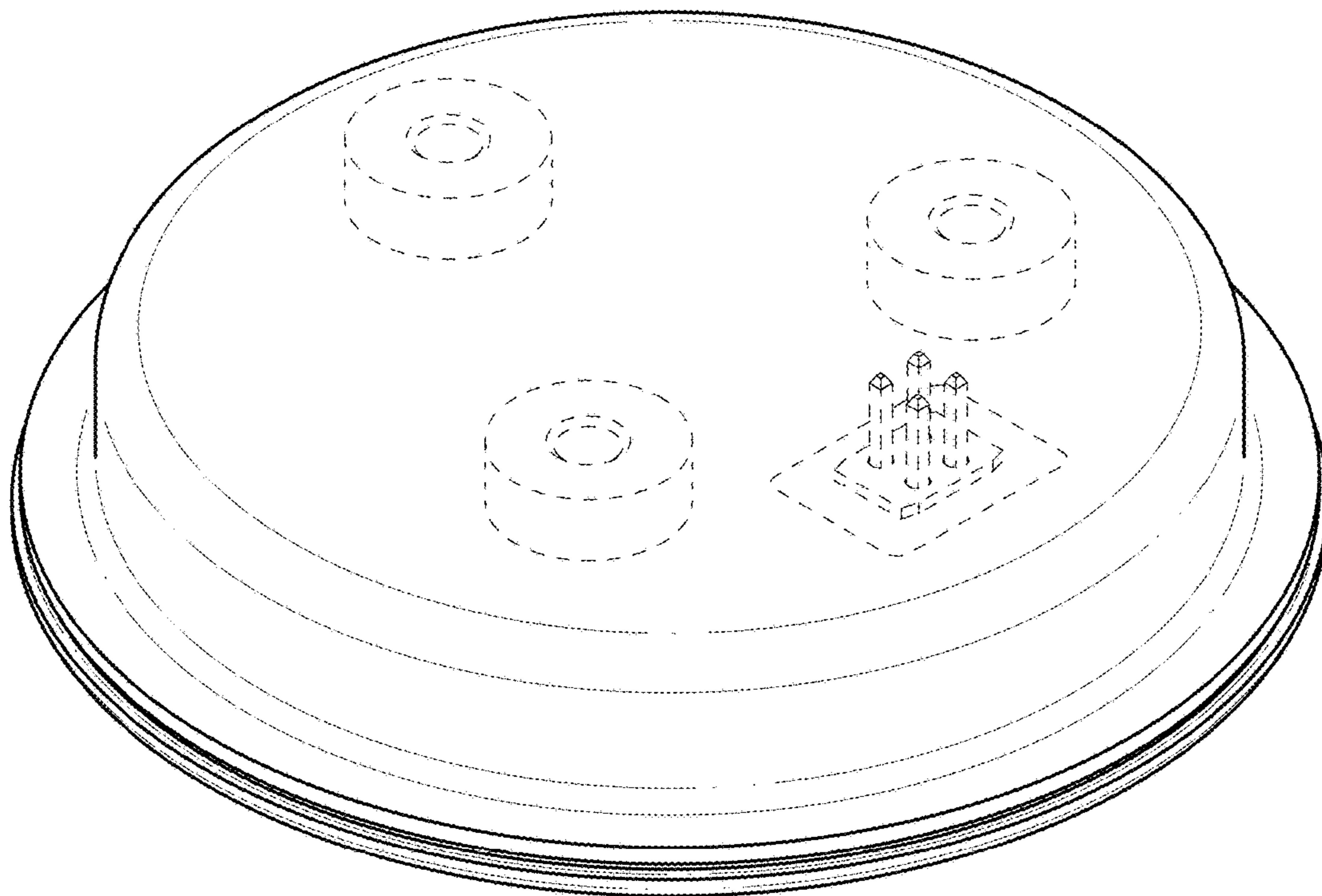


FIG. 2

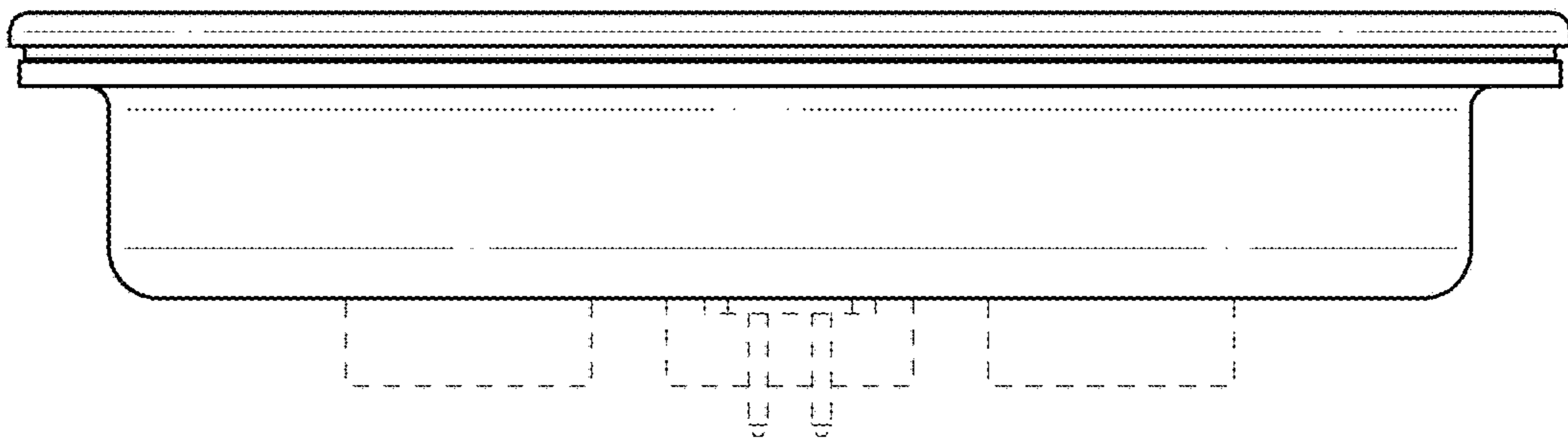


FIG. 3

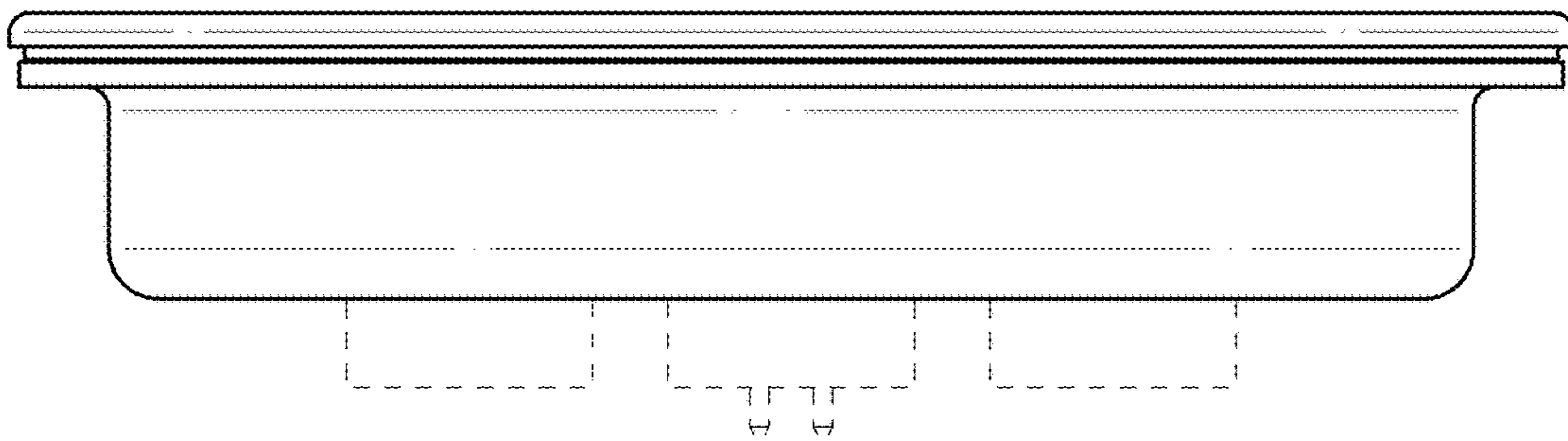


FIG. 4

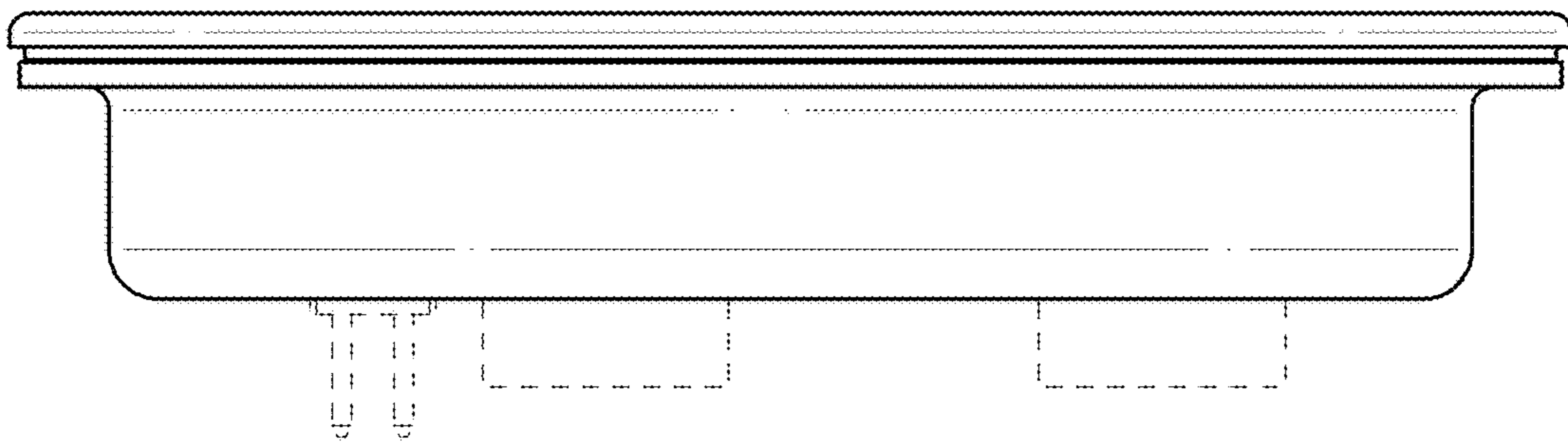


FIG. 5

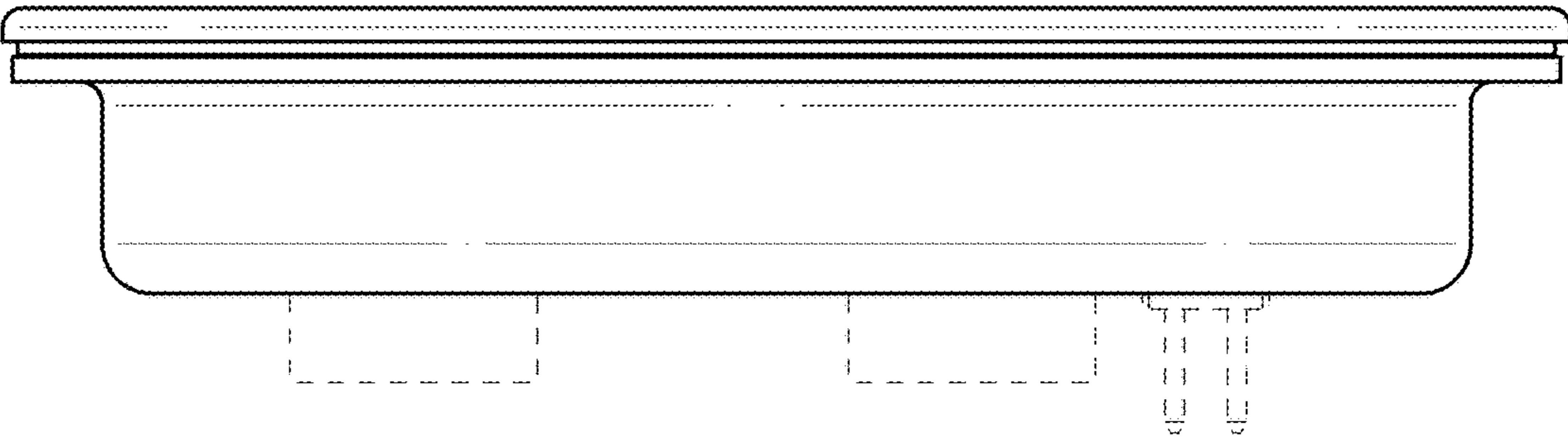


FIG. 6

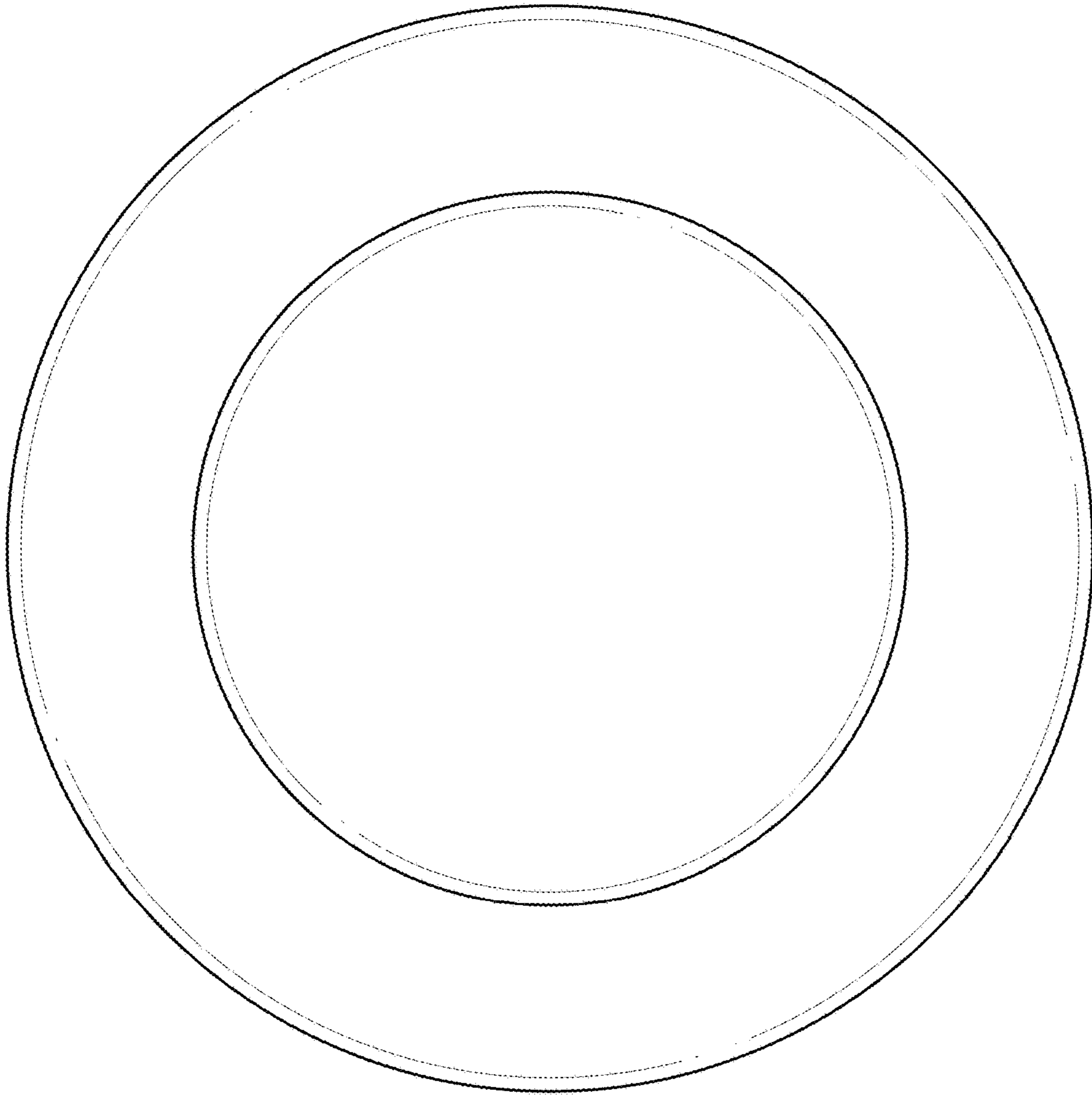


FIG. 7

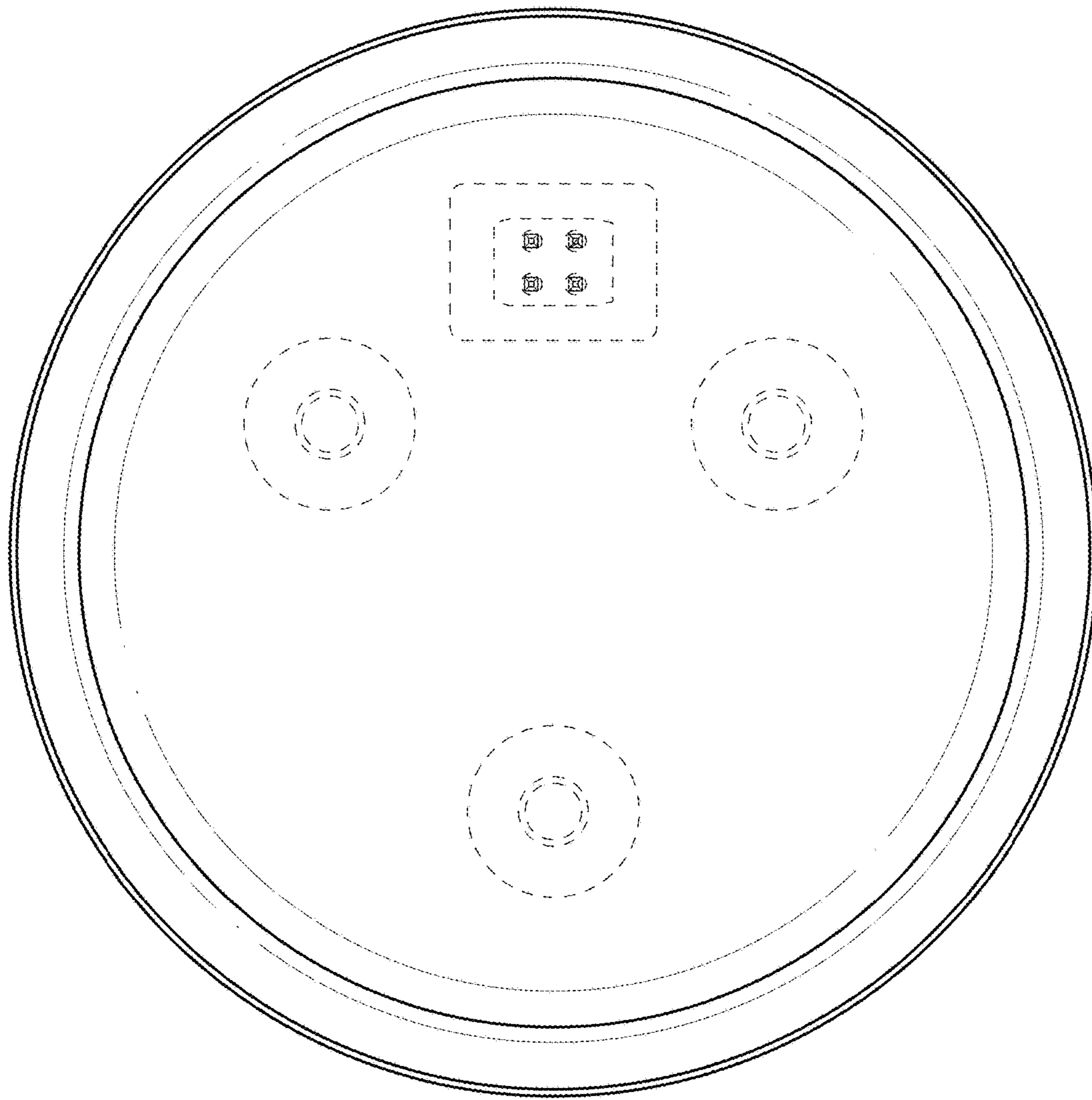


FIG. 8