



US00D795177S

(12) **United States Design Patent**  
**Dixon et al.**

(10) **Patent No.:** **US D795,177 S**

(45) **Date of Patent:** **\*\* Aug. 22, 2017**

(54) **TIRE**

(71) Applicant: **The Goodyear Tire & Rubber Company, Akron, OH (US)**

(72) Inventors: **Max Harold Dixon, Kent, OH (US); Devin Curtis Dickerhoof, Akron, OH (US); Leandro Forciniti, Canton, OH (US); Ashley Amanda Jones, Akron, OH (US)**

(73) Assignee: **The Goodyear Tire & Rubber Company, Akron, OH (US)**

(\*\*) Term: **15 Years**

(21) Appl. No.: **29/566,583**

(22) Filed: **Jun. 1, 2016**

(51) **LOC (10) Cl.** ..... **12-15**

(52) **U.S. Cl.**  
USPC ..... **D12/602; D12/901**

(58) **Field of Classification Search**  
USPC ..... D12/579, 596, 597, 599, 600, 602, 603, D12/604  
CPC . B60C 11/03; B60C 11/0306; B60C 11/0311; B60C 11/0323; B60C 2011/0344; B60C 2011/0346; B60C 2011/0374  
See application file for complete search history.

(56) **References Cited**

**U.S. PATENT DOCUMENTS**

D243,756 S *	3/1977	Makino	.....	D12/602
D336,453 S *	6/1993	Patel	.....	D12/596
D340,891 S	11/1993	Patel	.....	D12/147
D349,080 S *	7/1994	Loser	.....	D12/596
D368,690 S *	4/1996	Heinen	.....	D12/602
D380,715 S *	7/1997	Harris	.....	D12/602
D383,716 S	9/1997	Brown et al.	.....	D12/147
D384,611 S	10/1997	Harden, Jr.	.....	D12/146
D385,832 S *	11/1997	Lim	.....	D12/597

D388,369 S	12/1997	Harden, Jr.	.....	D12/146
D390,818 S	2/1998	De Barys et al.	.....	D12/147
D425,457 S *	5/2000	Gillard	.....	D12/596
D427,552 S	7/2000	Young	.....	D12/147
D442,897 S	5/2001	Cazin-Bourguignon et al.	.....	D12/147
D444,109 S	6/2001	De Coninck et al.	.....	D12/147
D444,740 S *	7/2001	Le	.....	D12/602
D457,128 S	5/2002	Robert et al.	.....	D12/602

(Continued)

*Primary Examiner* — Robert M Spear

(74) *Attorney, Agent, or Firm* — Robert N. Lipsik

(57) **CLAIM**

The ornamental design for a tire, as shown and described.

**DESCRIPTION**

FIG. 1 is a perspective view of a tire showing our new design, it being understood that the pattern repeats uniformly throughout the circumference of the tread;

FIG. 2 is a front elevational view thereof;

FIG. 3 is a right side elevational view thereof; the left side elevational view being identical thereto;

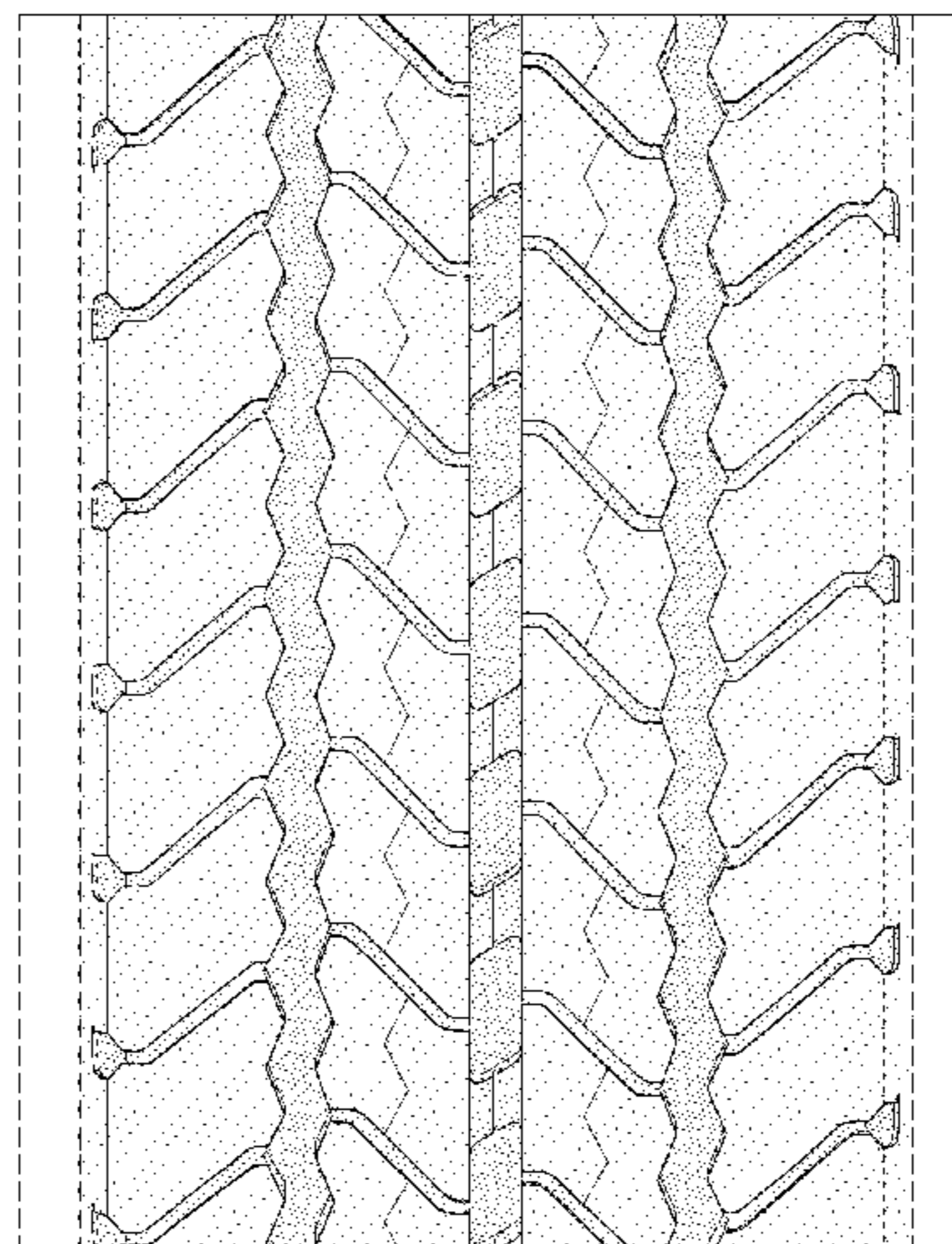
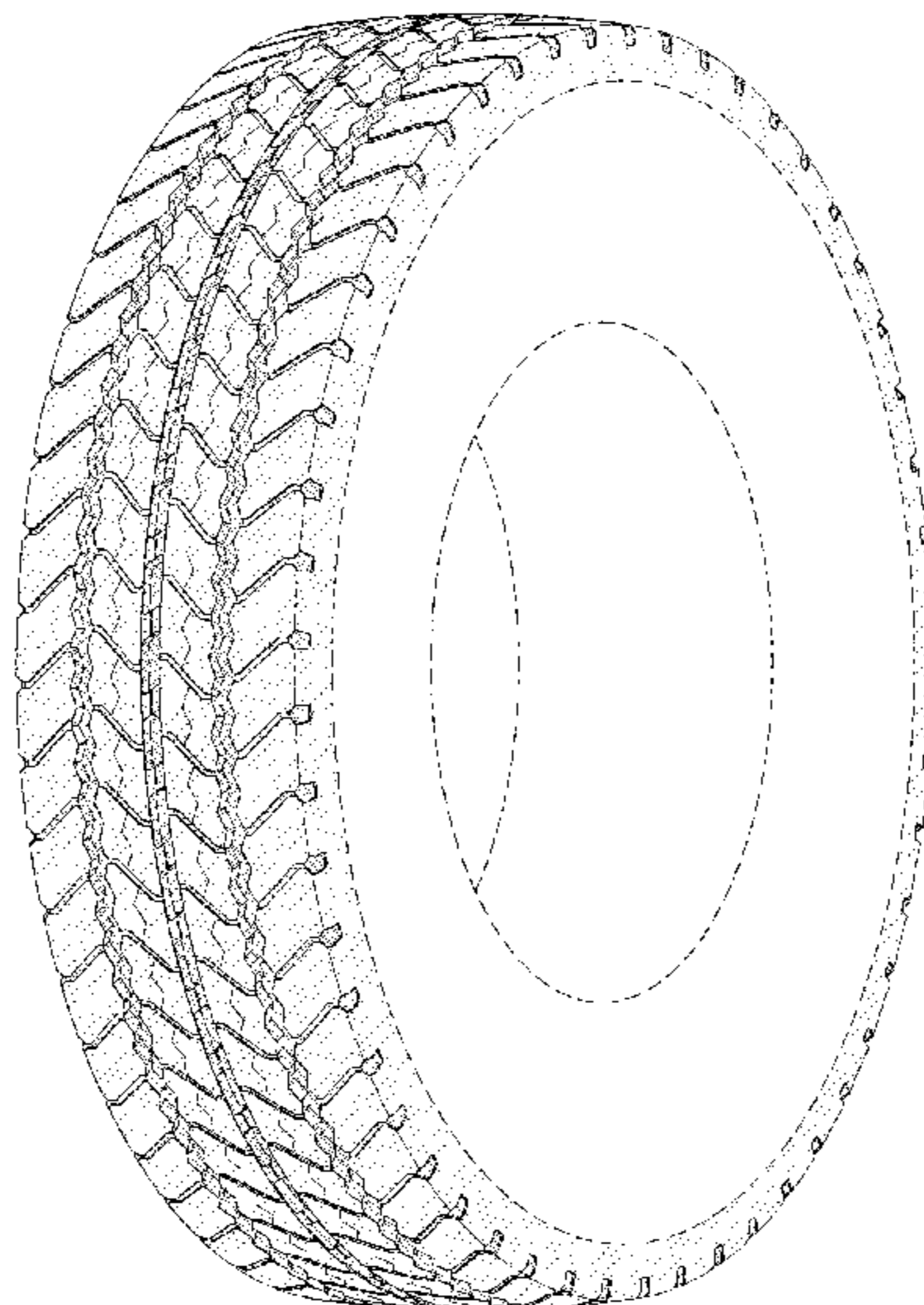
FIG. 4 is an enlarged fragmentary front elevational view thereof;

FIG. 5 is a perspective view of a second embodiment of a tire showing our new design, it being understood that the pattern repeats uniformly throughout the circumference of the tread and that the opposite side view is identical thereto; and,

FIG. 6 is a front elevational view of a second embodiment, it being understood that an enlarged fragmentary view thereof would be substantially identical to that shown in FIG. 4, with the exception of the inclusion of the sidewall in solid lines.

In the drawings, the broken lines showing the sidewall, inner bead and the peripheral boundary between the tire tread and the sidewall in FIGS. 1 through 4 depict environmental subject matter and form no part of the claimed design.

**1 Claim, 6 Drawing Sheets**



(56)

**References Cited**

## U.S. PATENT DOCUMENTS

D537,033 S	2/2007	Dumigan et al. ....	D12/602
D570,767 S *	6/2008	Miyazaki .....	D12/579
D591,227 S	4/2009	Seibert et al. ....	D12/602
D591,228 S *	4/2009	Seibert .....	D12/602
D598,370 S	8/2009	Beha .....	D12/602
D631,002 S	1/2011	Cazin-Bourguignon et al. ....	D12/602
D641,314 S	7/2011	Strader et al. ....	D12/602
D647,040 S	10/2011	Mathonet et al. ....	D12/588
D665,730 S	8/2012	Yoshimura .....	D12/584
D667,363 S	9/2012	Kudo .....	D12/584
D674,739 S	1/2013	Georges et al. ....	D12/586
D674,742 S	1/2013	Krier et al. ....	D12/598
D686,566 S	7/2013	Maus et al. ....	D12/594
D700,884 S	3/2014	Herbeuval et al. ....	D12/584
D717,240 S *	11/2014	Buchinger-Barnstorf ...	D12/602
D730,270 S *	5/2015	Krier .....	D12/584
D746,764 S	1/2016	Takemoto .....	D12/584
D753,054 S	4/2016	Fujita .....	D12/585
D766,818 S *	9/2016	Young .....	D12/602

\* cited by examiner

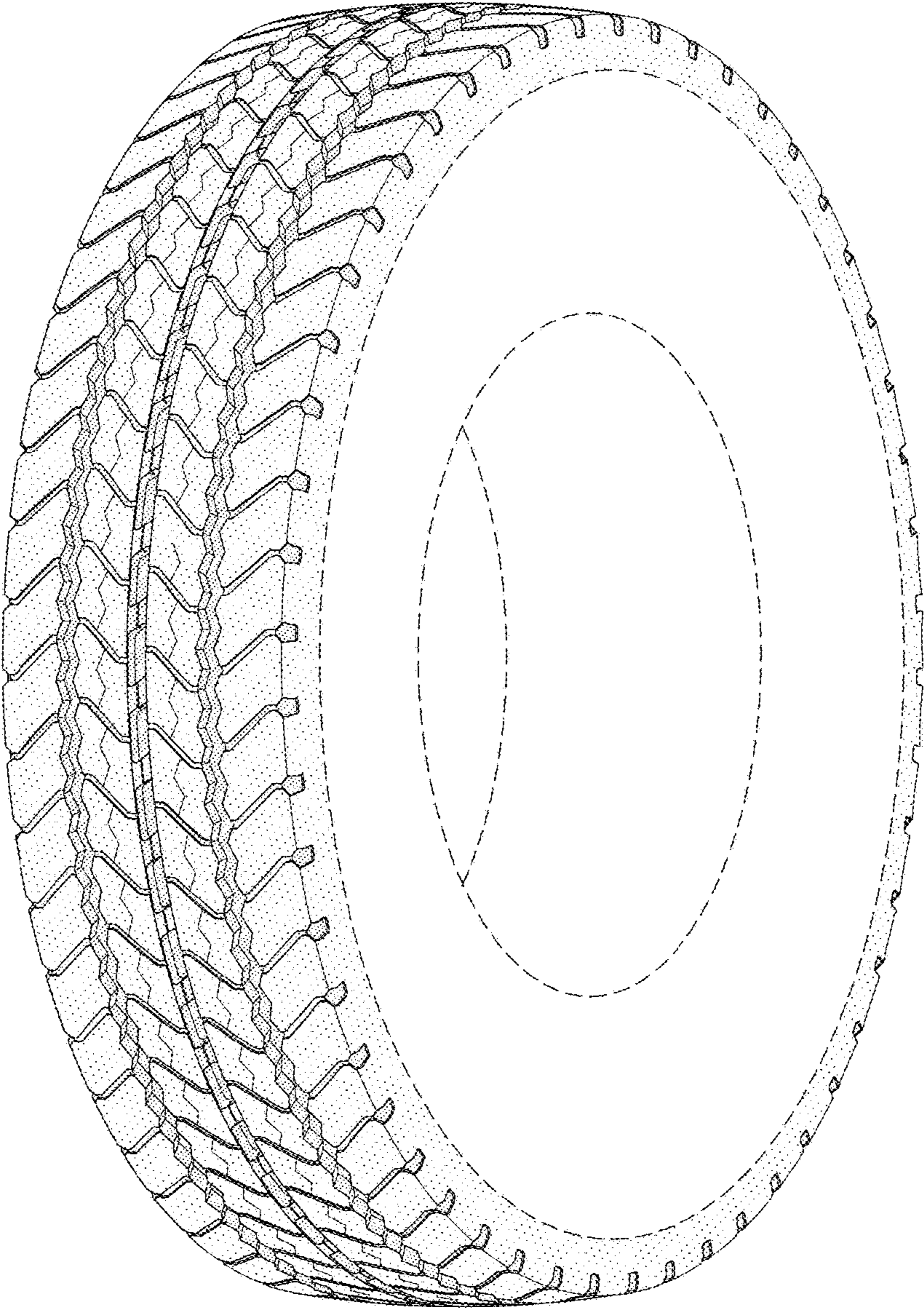


FIG-1

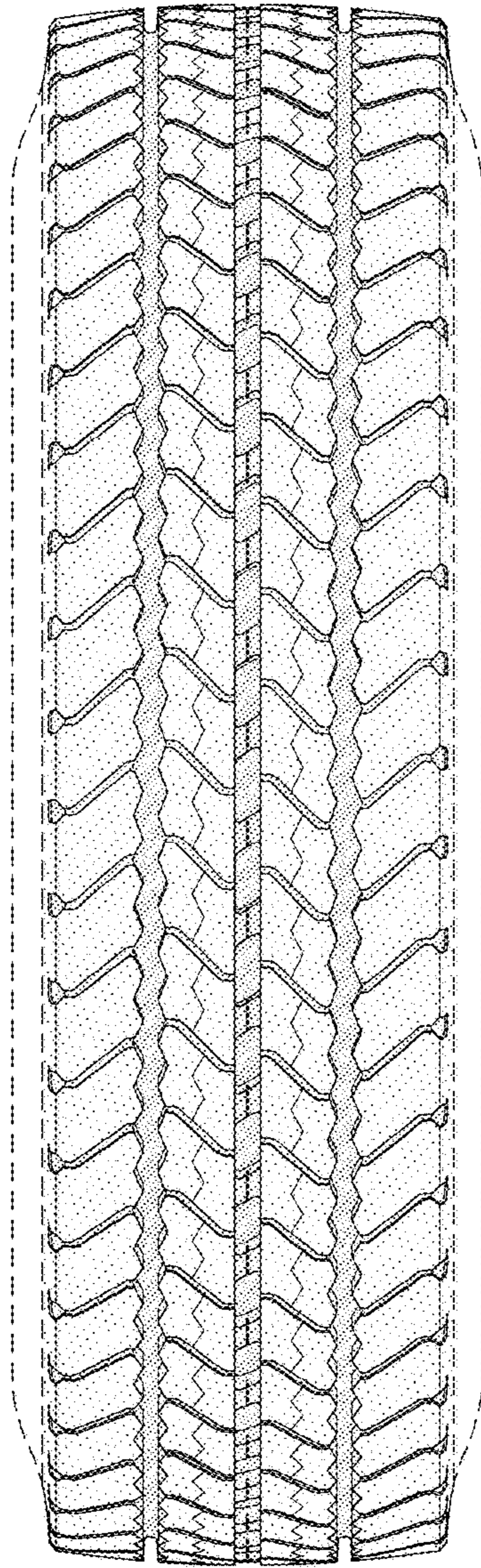


FIG-2

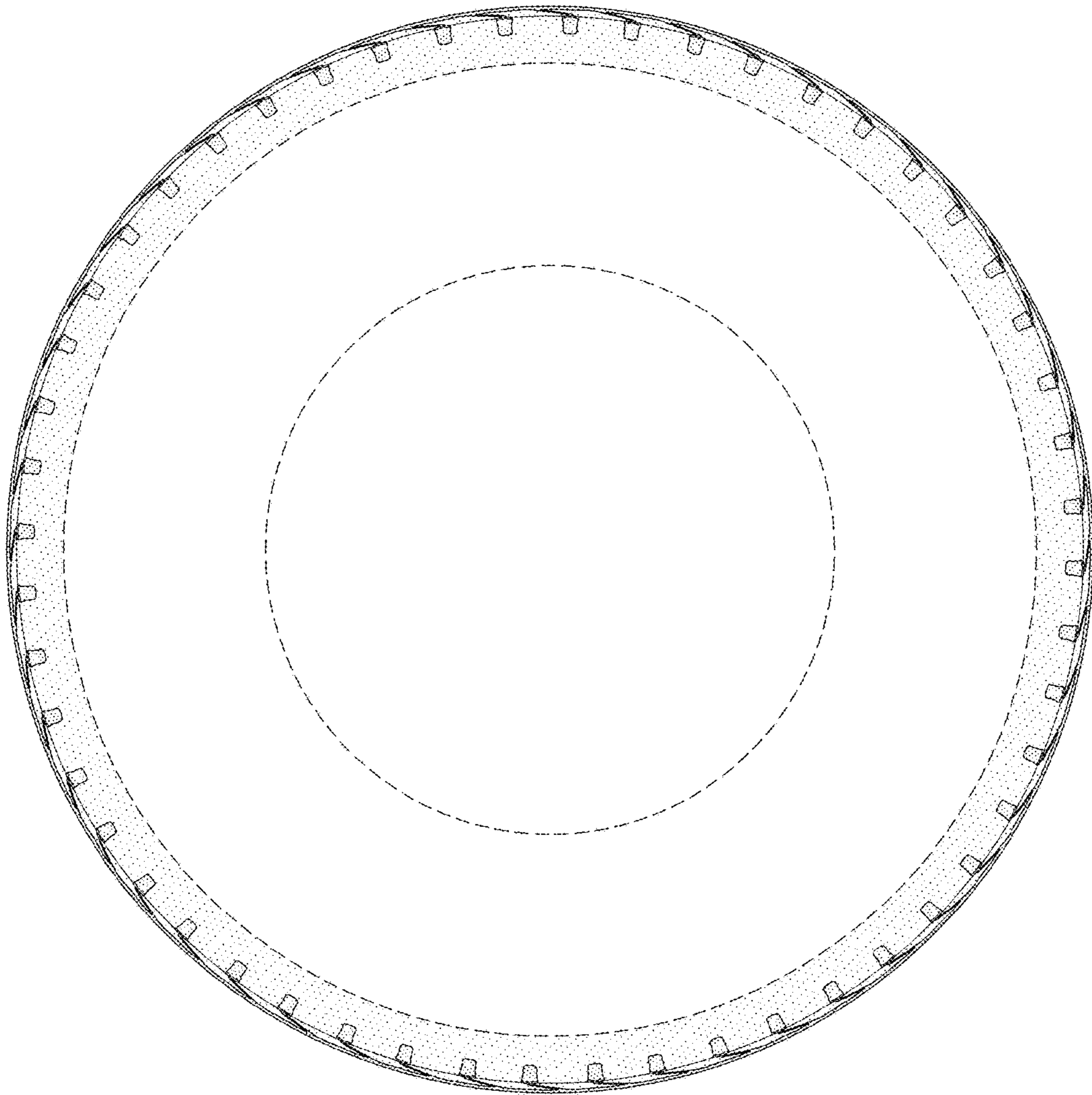


FIG-3

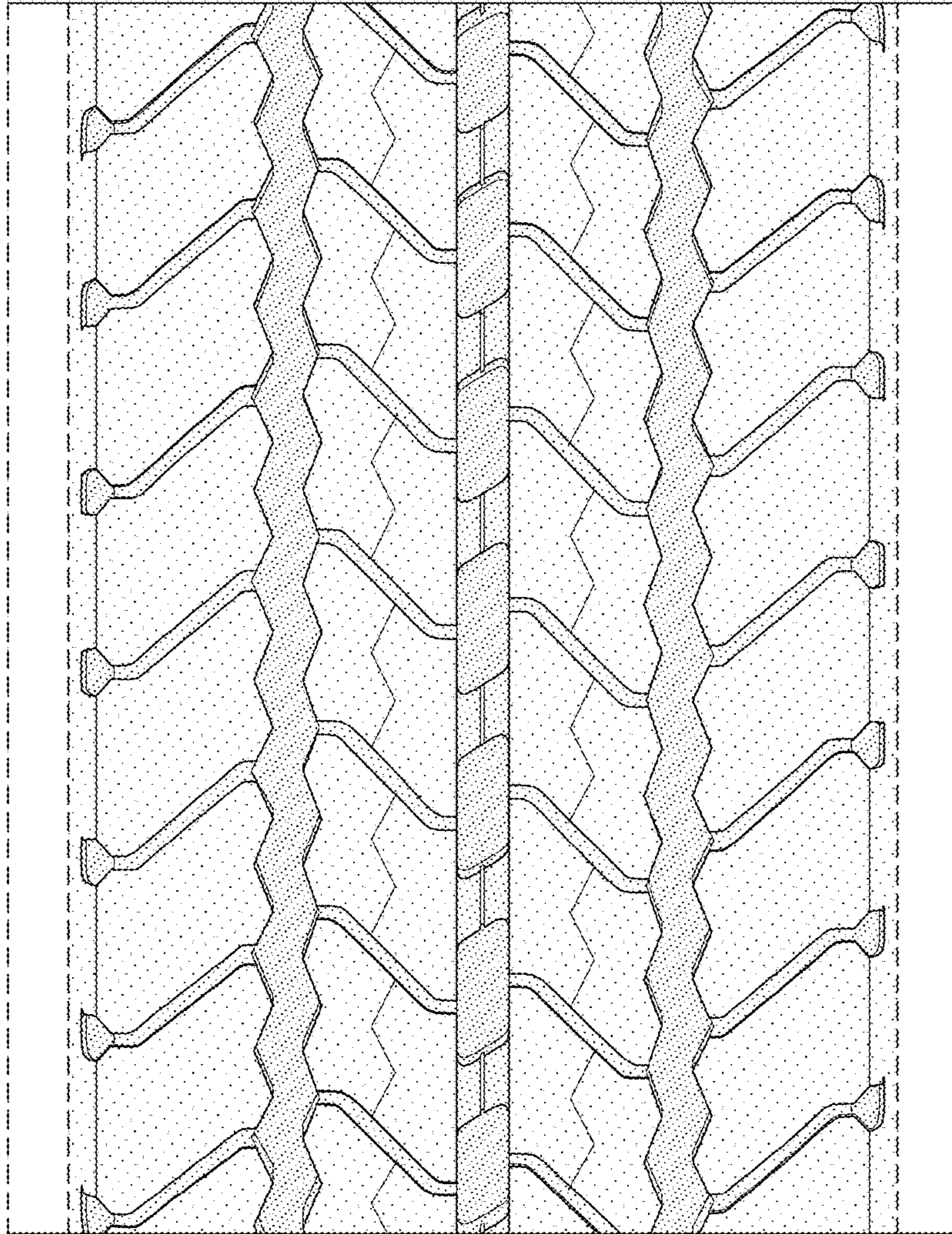


FIG-4

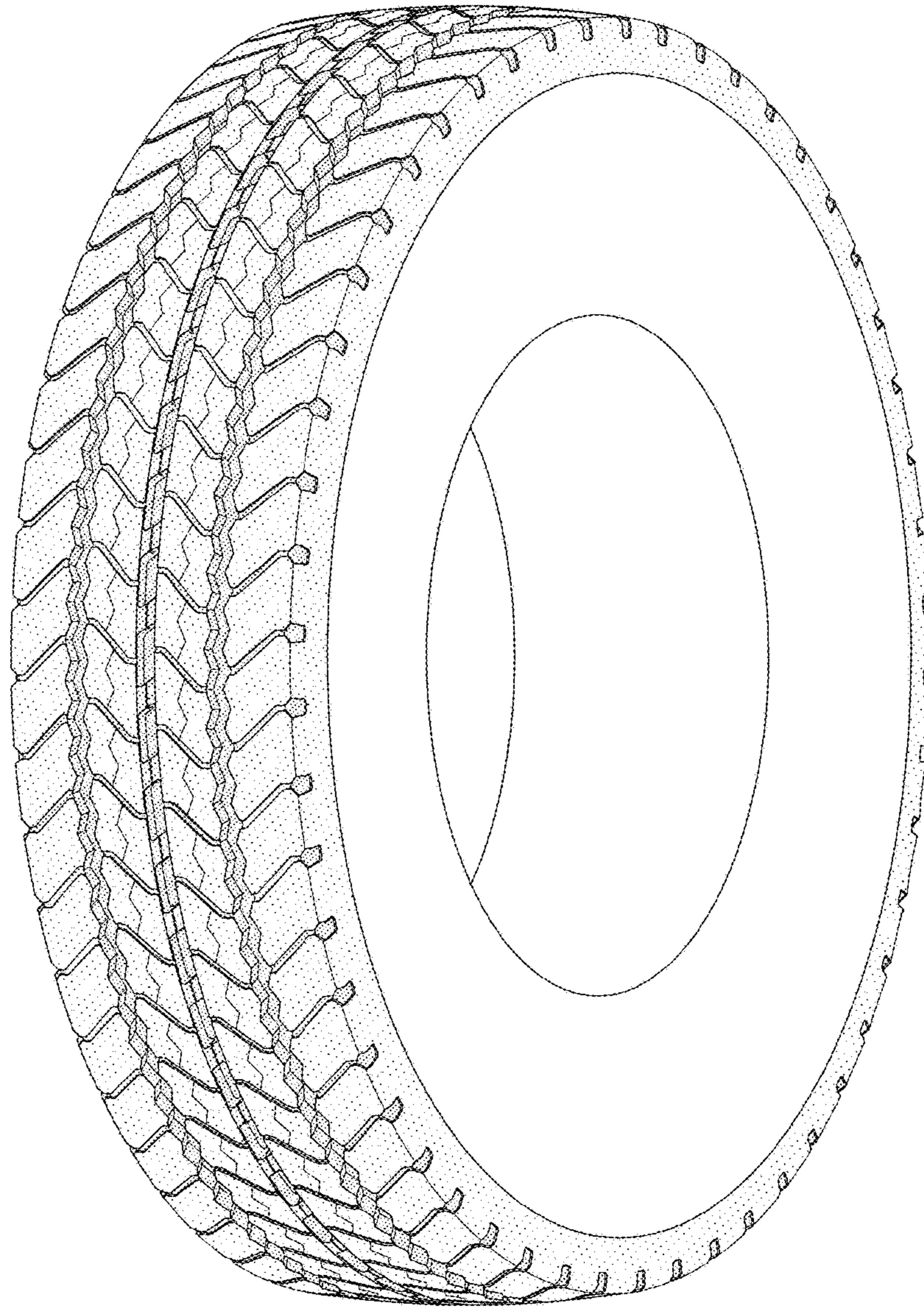


FIG-5

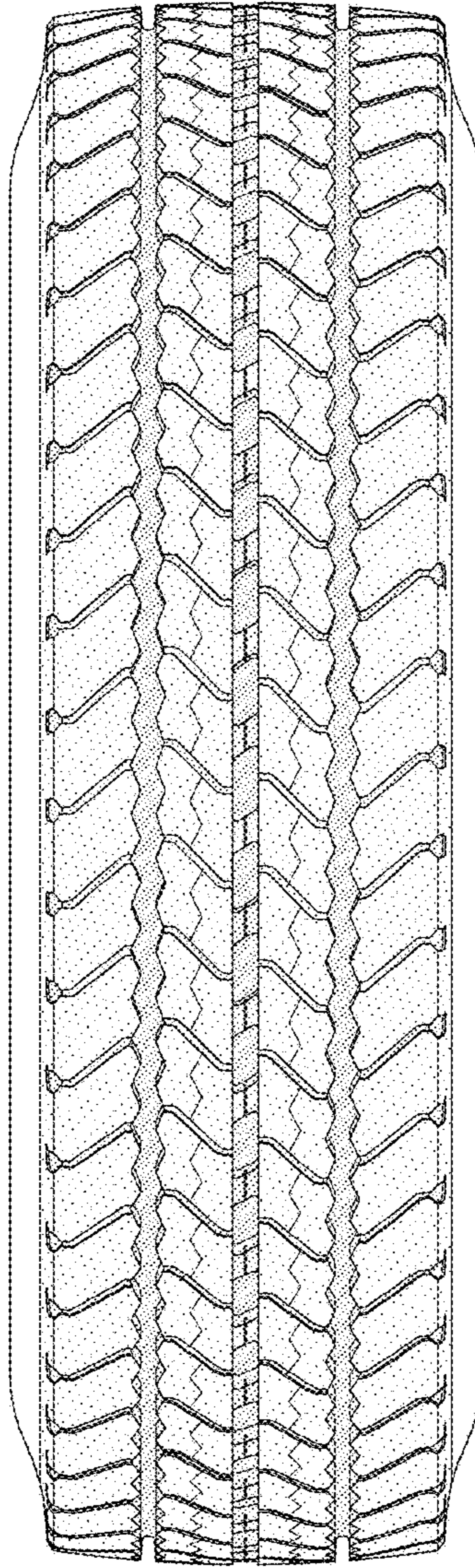


FIG-6