



US00D795176S

(12) **United States Design Patent**
Farinelle et al.

(10) **Patent No.:** **US D795,176 S**

(45) **Date of Patent:** **** Aug. 22, 2017**

(54) **TIRE**

(71) Applicant: **The Goodyear Tire & Rubber Company, Akron, OH (US)**

(72) Inventors: **Corentin Eric Ghislain Farinelle, Breuvanne (BE); Jean-Julien Edouard Ghislain Krier, Bastogne (BE); Peter Johann Cornelius Maus, Bullingen (BE)**

(73) Assignee: **The Goodyear Tire & Rubber Company, Akron, OH (US)**

(**) Term: **15 Years**

(21) Appl. No.: **29/558,369**

(22) Filed: **Mar. 17, 2016**

(51) **LOC (10) Cl.** **12-15**

(52) **U.S. Cl.**
USPC **D12/602**

(58) **Field of Classification Search**
USPC D12/568-604, 900
CPC B60C 1/0016; B60C 11/0306; B60C 11/0302; B60C 3/06; B60C 9/17
See application file for complete search history.

(56) **References Cited**

U.S. PATENT DOCUMENTS

D425,457 S	5/2000	Gillard et al.	D12/146
D512,684 S	12/2005	Robert	D12/602
D589,436 S	3/2009	Beha et al.	D12/579
D592,590 S	5/2009	Janesh et al.	D12/600
D598,369 S	8/2009	Beha	D12/602
D601,086 S	9/2009	Maus et al.	D12/602
D604,228 S	* 11/2009	Le	D12/582
D604,229 S	* 11/2009	Le	D12/582
D614,122 S	4/2010	Seibert	D12/600
D619,081 S	7/2010	Nicolas et al.	D12/571
D624,490 S	* 9/2010	Kaji	D12/602

D626,912 S	*	11/2010	Fujita	D12/587
D627,713 S		11/2010	Le et al.	D12/600
D631,002 S		1/2011	Cazin-Bourguignon et al.	D12/602

(Continued)

Primary Examiner — Robert M Spear

Assistant Examiner — John Voytek

(74) *Attorney, Agent, or Firm* — Robert N. Lipschik

(57) **CLAIM**

The ornamental design for a tire, as shown and described.

DESCRIPTION

FIG. 1 is a perspective view of a tire showing our new design, it being understood that the pattern repeats uniformly throughout the circumference of the tread;

FIG. 2 is a front elevational view thereof;

FIG. 3 is a right side elevational view thereof; the left side elevational view being identical thereto;

FIG. 4 is an enlarged fragmentary front elevational view thereof;

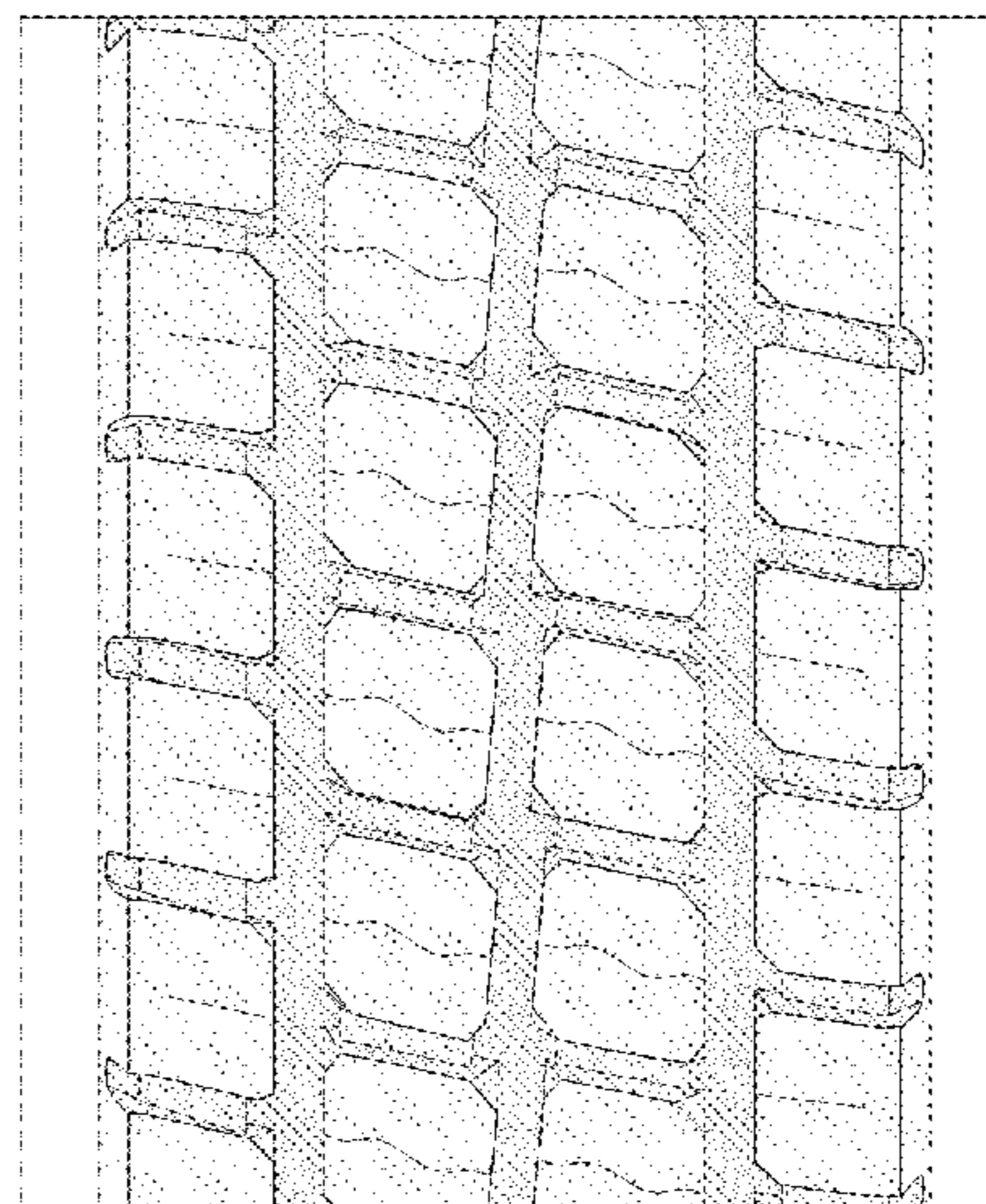
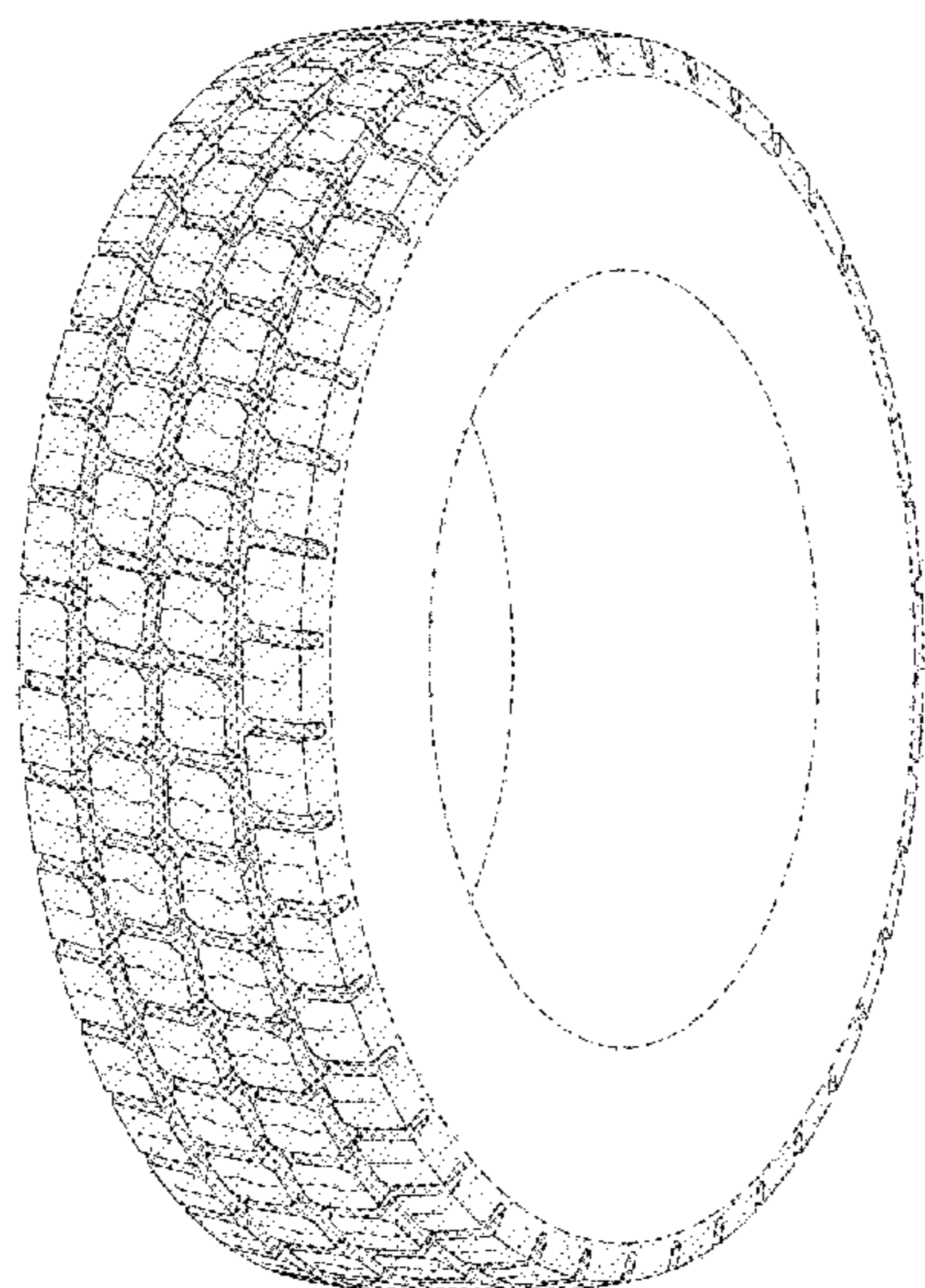
FIG. 5 is a perspective view of a second embodiment of a tire showing our new design, it being understood that the pattern repeats uniformly throughout the circumference of the tread and that the opposite side view is identical thereto;

FIG. 6 is a front elevational view of a second embodiment, it being understood that an enlarged fragmentary view thereof would be substantially identical to that shown in FIG. 4, with the exception of the inclusion of the sidewall in the claim; and,

FIG. 7 is a front elevational view thereof, it being understood that an enlarged fragmentary view thereof would be identical to that shown in FIG. 2, with the exception of the inclusion of the sidewall in solid lines.

In the drawings, the broken lines showing of the sidewall, inner bead and the peripheral boundary between the tire tread and the sidewall in FIGS. 1 through 4 depict environmental subject matter and form no part of the claimed design.

1 Claim, 7 Drawing Sheets



(56)

References Cited

U.S. PATENT DOCUMENTS

D637,152 S	5/2011	Maus et al.	D12/602
D645,810 S	9/2011	Le et al.	D12/600
D656,088 S	3/2012	Krier et al.	D12/591
D661,643 S *	6/2012	Kaji	D12/602
D662,457 S	6/2012	Krier et al.	D12/588
D667,364 S	9/2012	Krier et al.	D12/586
D674,742 S	1/2013	Krier et al.	D12/598
D686,566 S	7/2013	Maus et al.	D12/594
D710,294 S	8/2014	Dixon et al.	D12/588
D713,782 S	9/2014	Krier et al.	D12/583
D726,644 S *	4/2015	Kuwahara	D12/602
D727,249 S *	4/2015	Rolland	D12/583
D730,270 S	5/2015	Krier et al.	D12/584
D740,744 S	10/2015	Krier et al.	D12/583
D744,409 S	12/2015	Krier et al.	D12/583
D756,902 S *	5/2016	Nomoto	D12/596

* cited by examiner

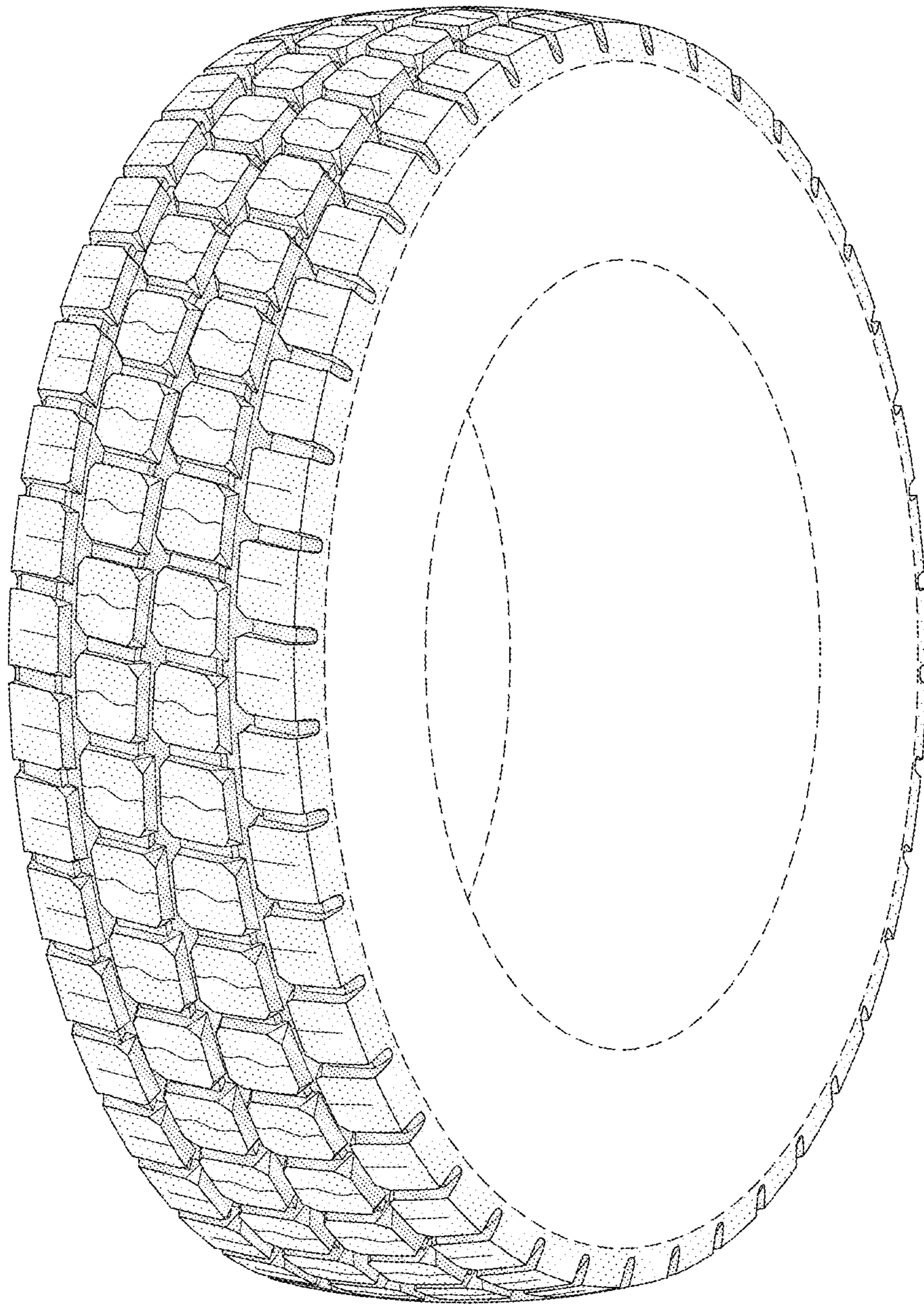


FIG-1

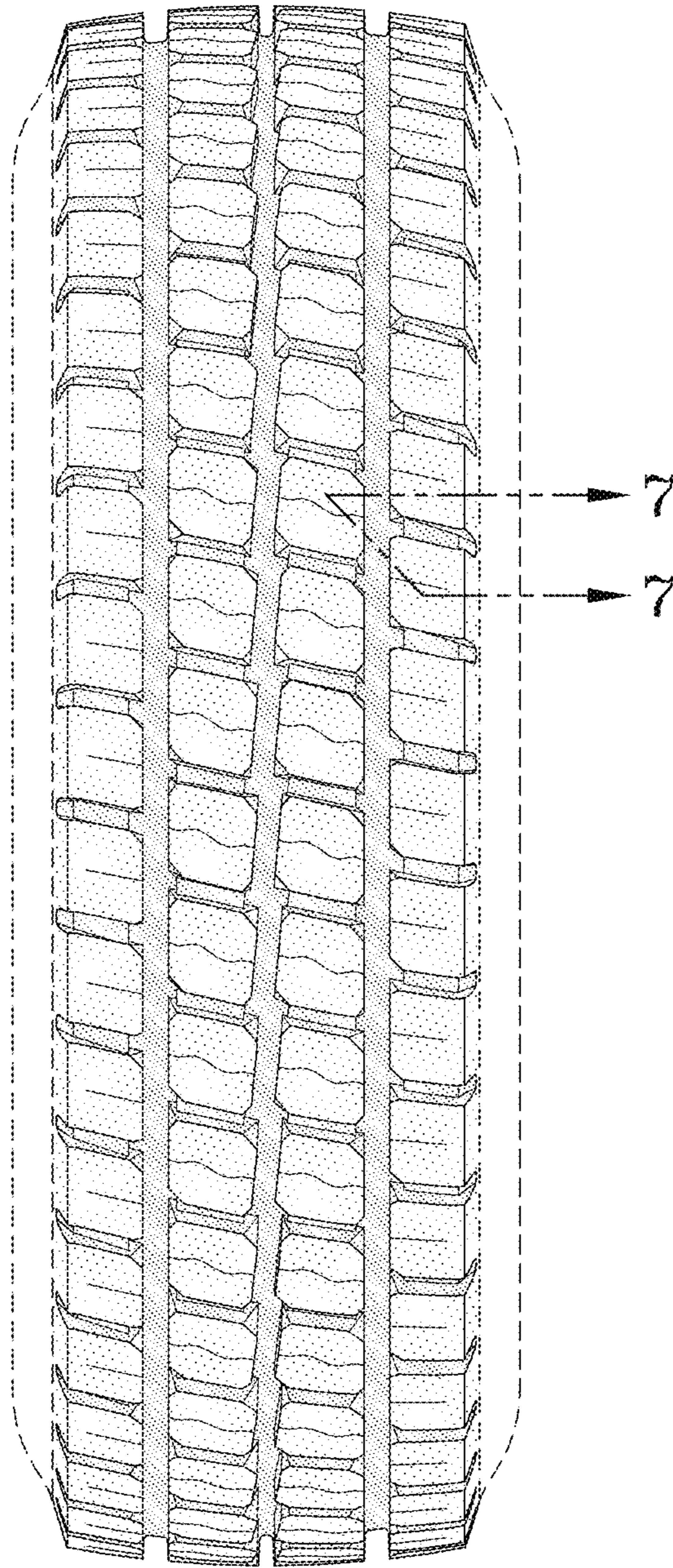


FIG-2

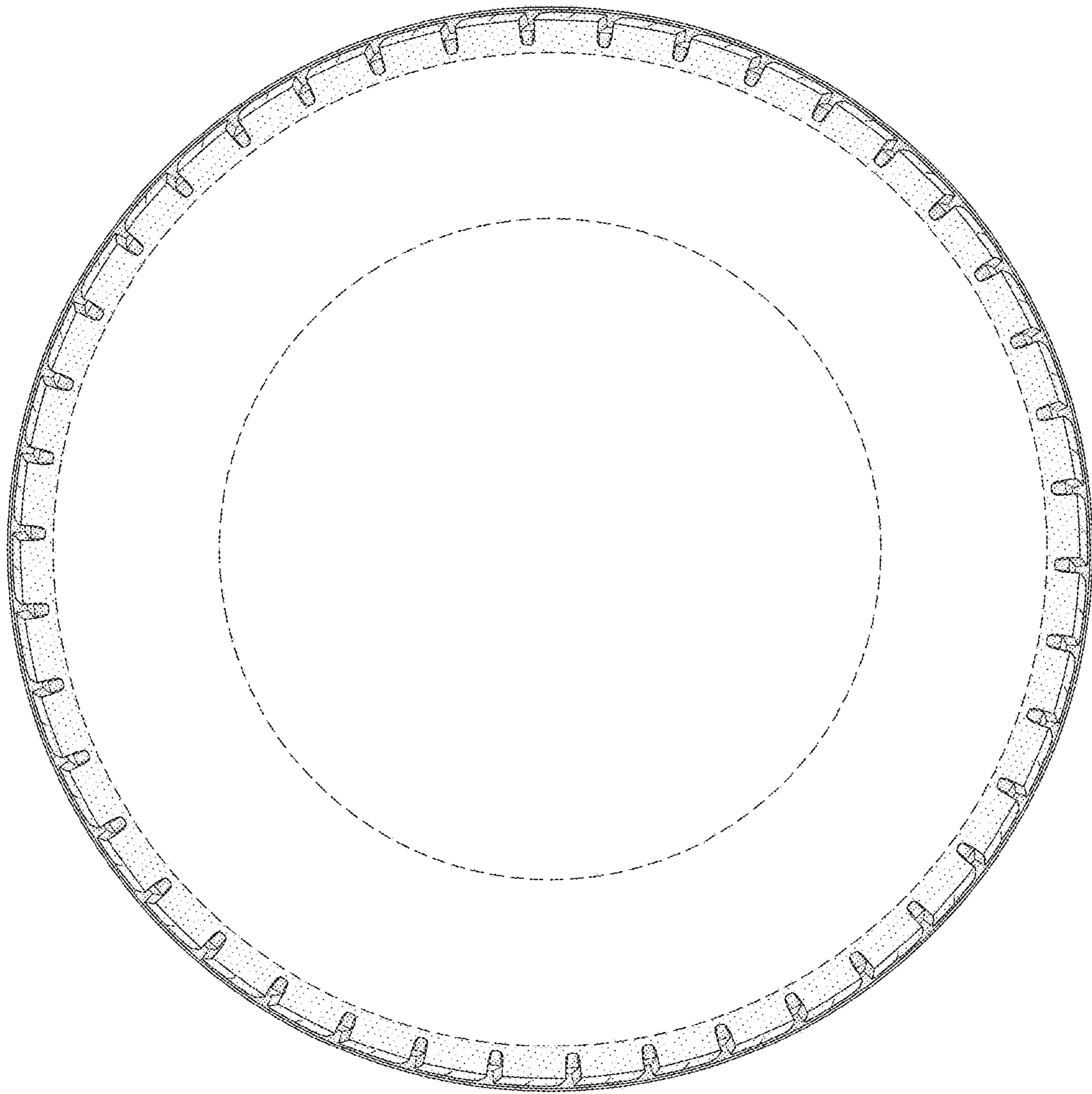


FIG-3

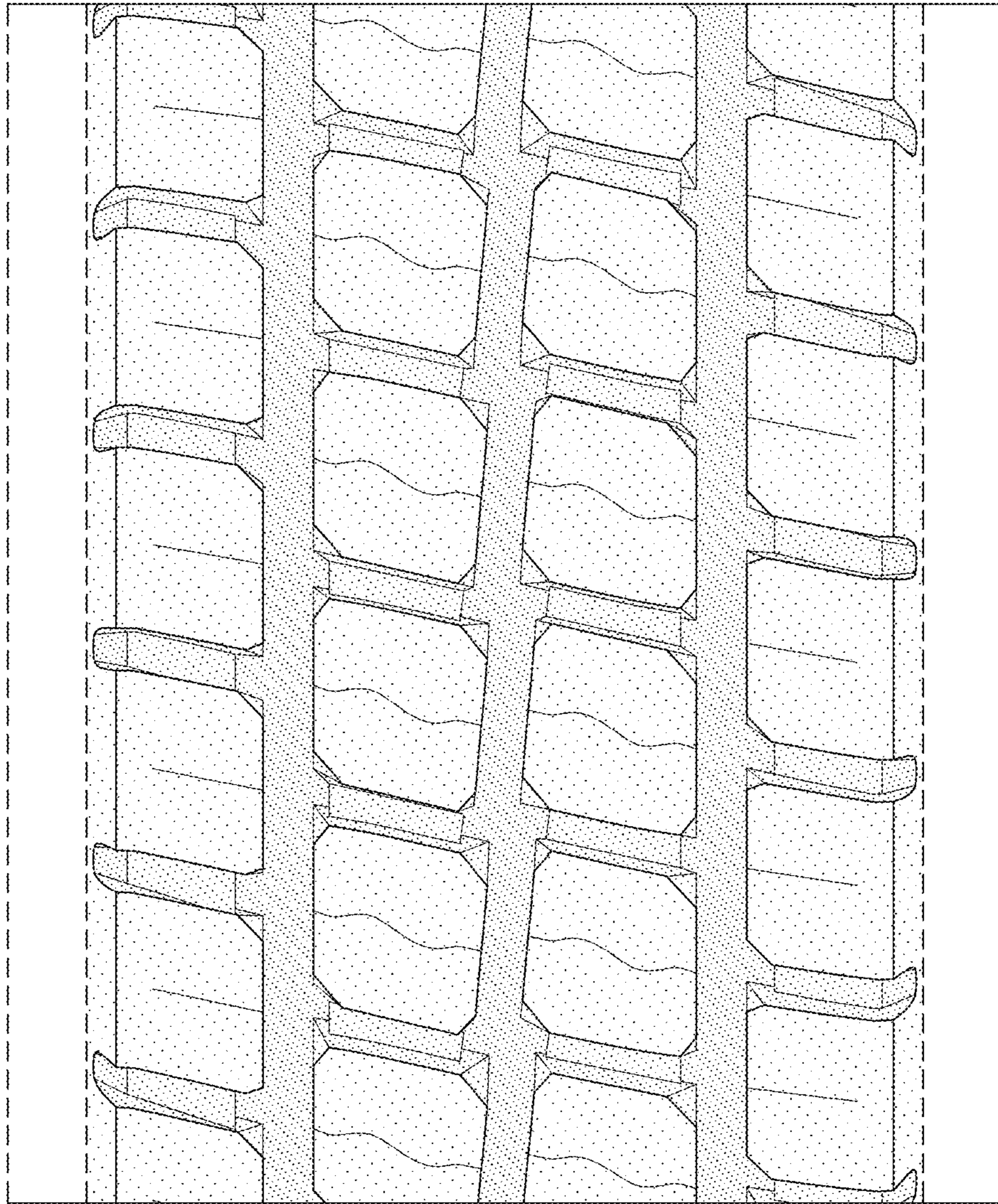


FIG-4

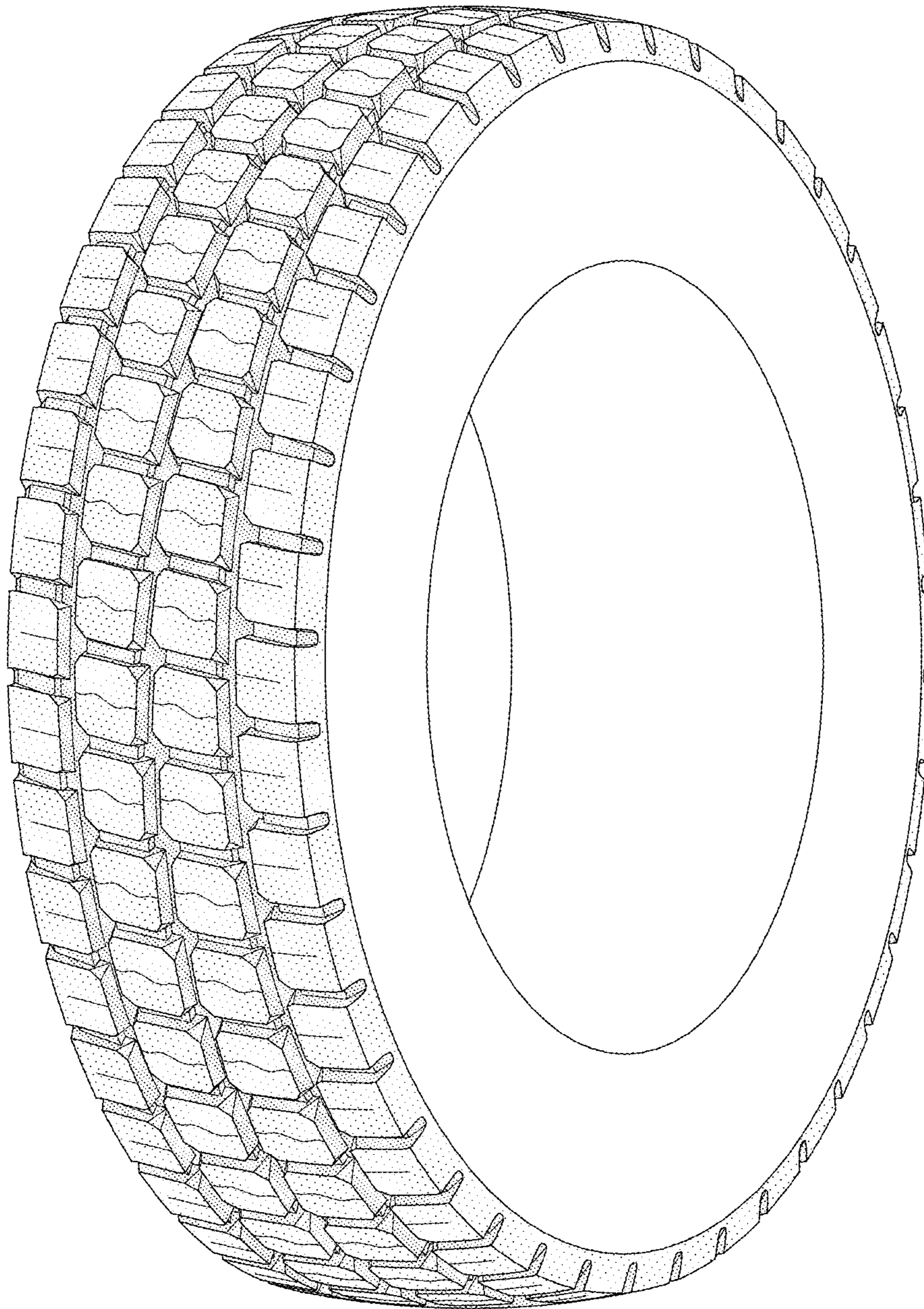


FIG-5

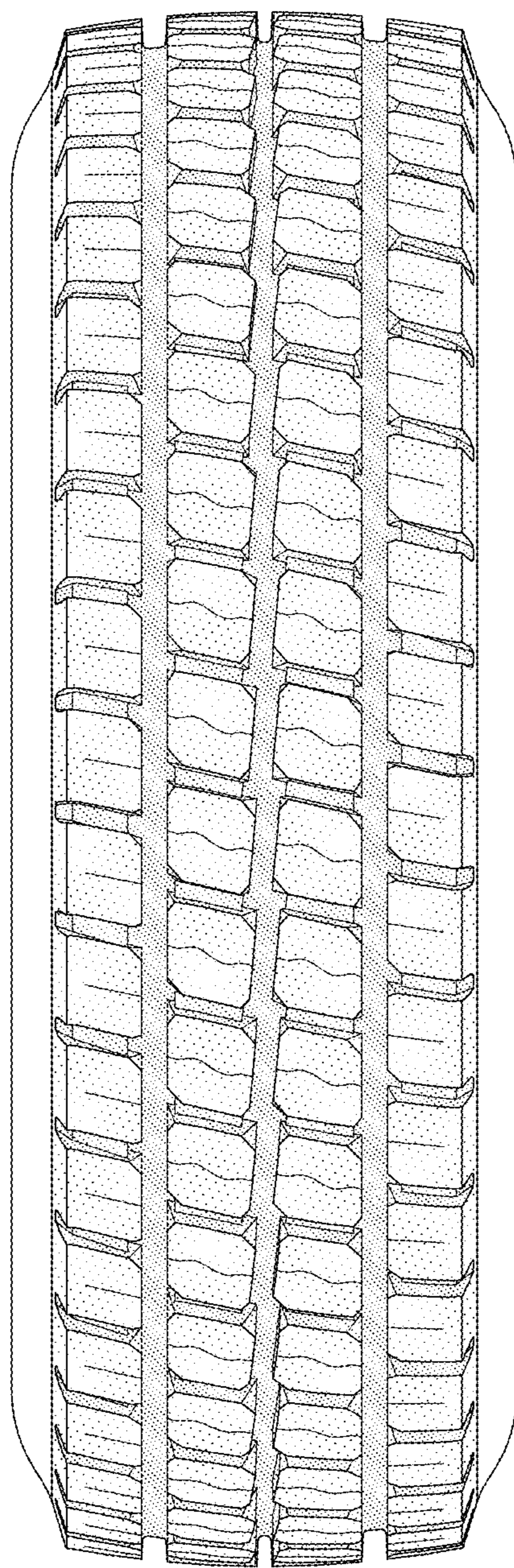


FIG-6

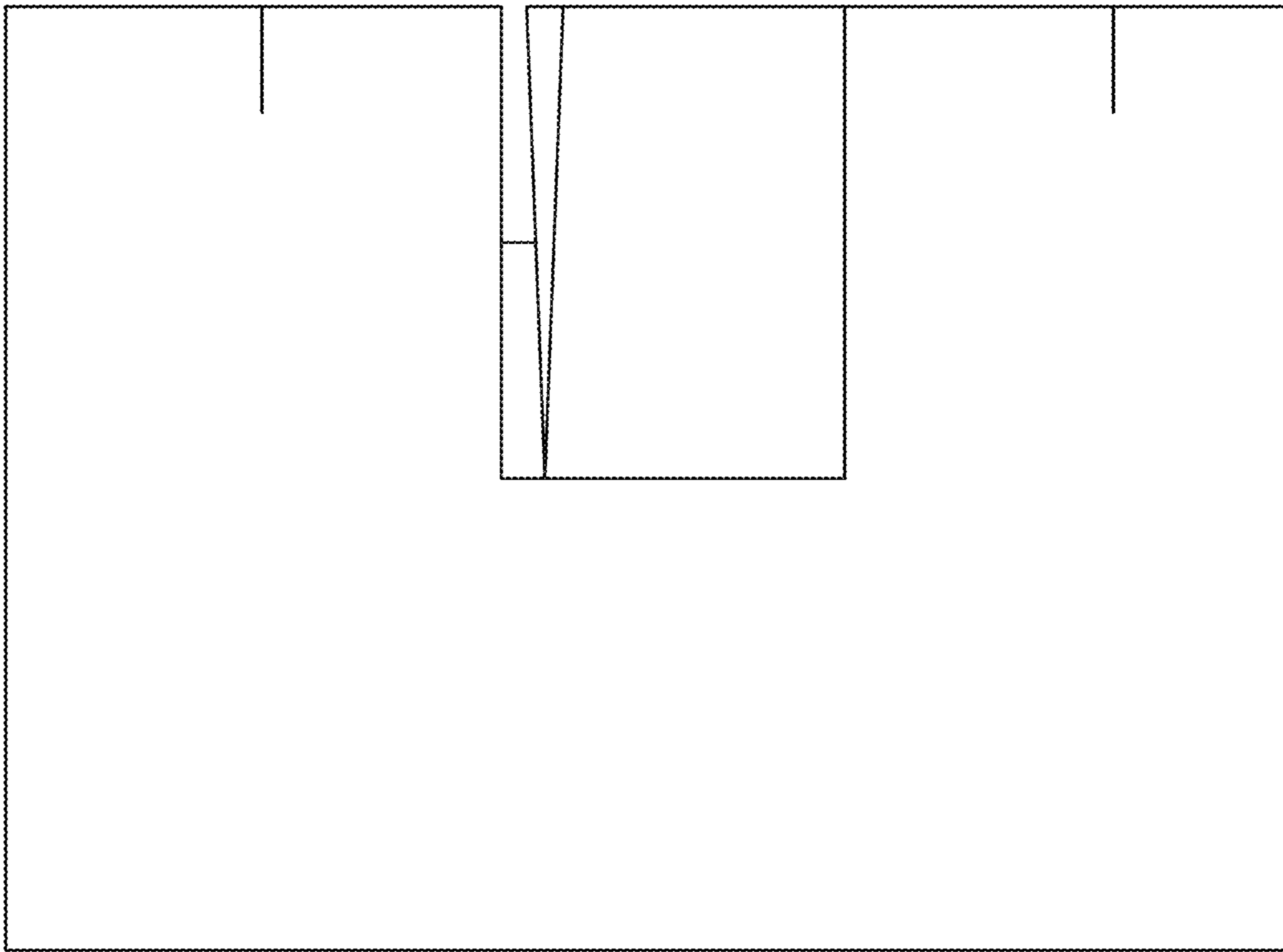


FIG-7