



US00D795164S

(12) **United States Design Patent** (10) **Patent No.:** **US D795,164 S**
Philipot et al. (45) **Date of Patent:** **** Aug. 22, 2017**

- (54) **TIRE**
- (71) Applicant: **The Goodyear Tire & Rubber Company**, Akron, OH (US)
- (72) Inventors: **Benjamin Philipot**, Hettange Grande (FR); **Jan Leyssens**, Leglise-Beherne (BE); **Xavier Jean-Francois Beot**, Metzert (BE); **Alexander Ossipov**, Leuven (BE)
- (73) Assignee: **The Goodyear Tire & Rubber Company**, Akron, OH (US)
- (**) Term: **15 Years**
- (21) Appl. No.: **29/554,042**
- (22) Filed: **Feb. 8, 2016**
- (51) **LOC (10) Cl.** **12-15**
- (52) **U.S. Cl.**
USPC **D12/521**
- (58) **Field of Classification Search**
USPC 152/5, 151, 152.1, 167, 208, 152/209.1-209.28, 246, 450, 526, 527, 152/532, 535, 538, 541; D12/145, D12/500-605, 900-901
CPC B60C 11/00; B60C 2011/0337; B60C 2011/0339; B60C 2011/0386; B60C 3/00; B60C 3/08; B60C 1/00; B60C 2200/00; B60C 2200/02; B60C 2200/04; B60C 2200/06; B60C 2200/065; B60C 2200/08; B60C 2200/10; B60C 2200/12; B60C 2200/14; B60C 7/00; B60C 7/02; B60C 7/04; B60C 7/06; B60C 7/08; B60C 5/00; B60C 13/00
See application file for complete search history.

D512,013 S *	11/2005	Delu	D12/517
D551,156 S *	9/2007	Shinohara	D12/521
D558,128 S *	12/2007	Delu	D12/517
D559,767 S	1/2008	Graas et al.	D12/521
D560,595 S *	1/2008	Bindner	D12/521
D586,726 S *	2/2009	Baumard	D12/521
D593,931 S *	6/2009	Fontaine	D12/521
D599,276 S	9/2009	Fontaine et al.	D12/519
D601,939 S	10/2009	Fontaine et al.	D12/519
D609,161 S	2/2010	Fontaine et al.	D12/517
D630,998 S	1/2011	Schmalix et al.	D12/519
D634,261 S	3/2011	Schmalix et al.	D12/519
D634,699 S	3/2011	Fontaine et al.	D12/517
D643,799 S	8/2011	Berryman et al.	D12/523
D644,593 S	9/2011	Fontaine et al.	D12/523
D648,668 S	11/2011	Kujime	D12/519

(Continued)

Primary Examiner — Manpreet Matharu
Assistant Examiner — Keith Wilson
(74) *Attorney, Agent, or Firm* — Robert N. Lipsik

(57) **CLAIM**

The ornamental design for a tire, as shown and described.

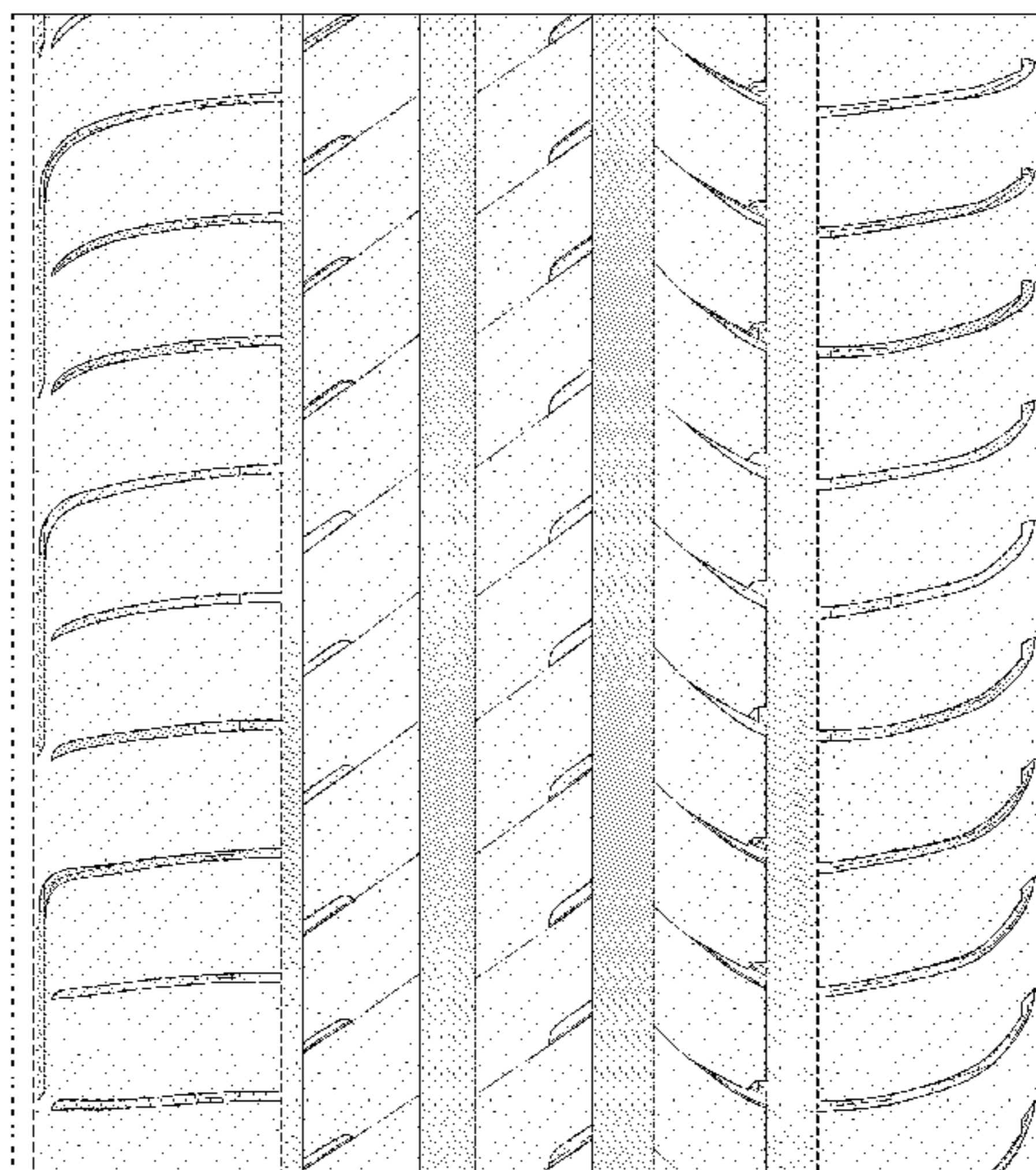
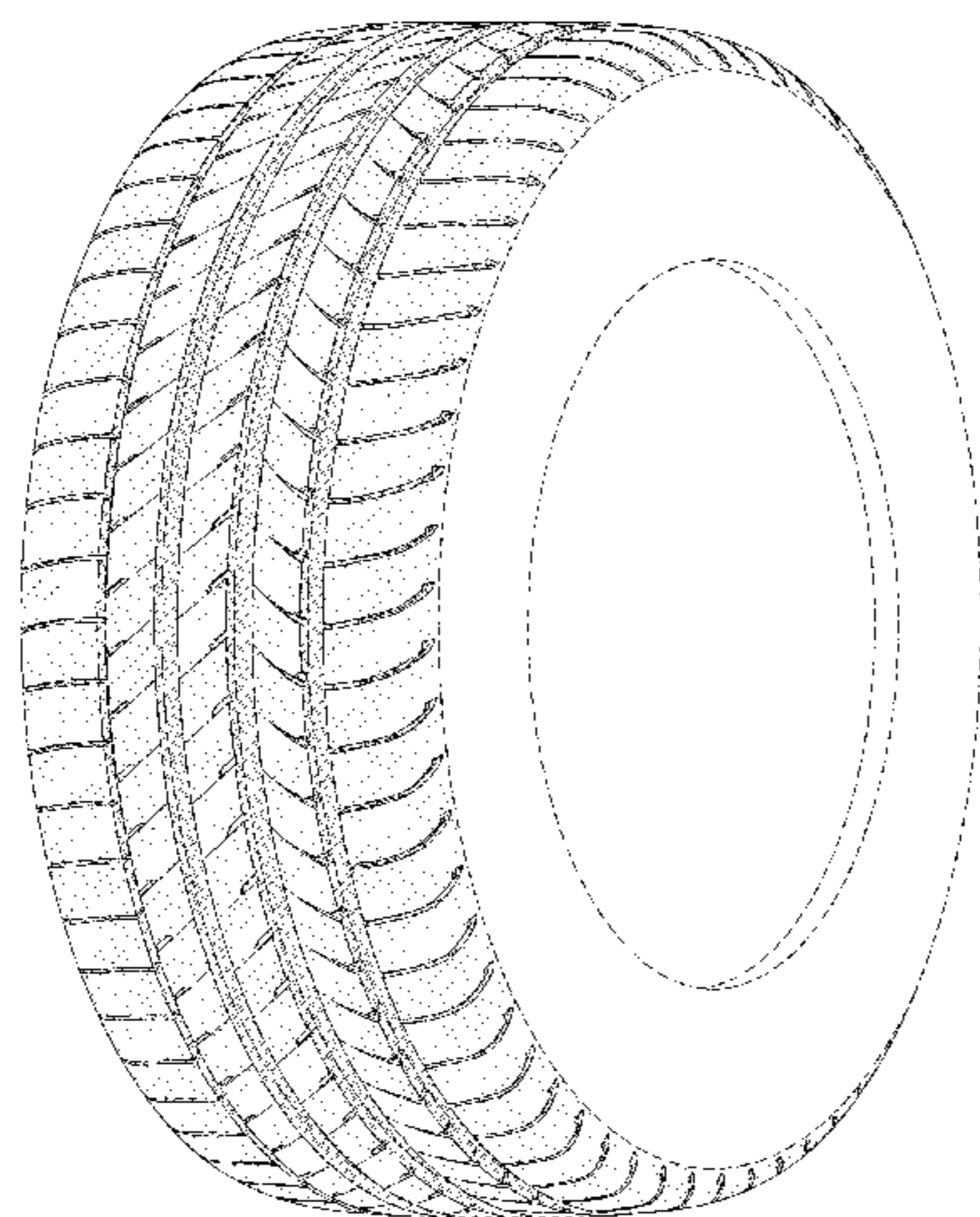
DESCRIPTION

FIG. 1 is a perspective view of a tire showing our new design, it being understood that the pattern repeats uniformly throughout the circumference of the tread; FIG. 2 is a front elevational view thereof; FIG. 3 is a right side elevational view thereof; FIG. 4 is a left side elevational view thereof; and, FIG. 5 is an enlarged fragmentary front elevational view thereof. In the drawings, the broken lines showing of the sidewall, inner bead and the peripheral boundary between the tire tread and the sidewall in FIGS. 1 through 5 depict environmental subject matter and form no part of the claimed design.

1 Claim, 5 Drawing Sheets

(56) **References Cited**
U.S. PATENT DOCUMENTS

D451,441 S	12/2001	Weber	D12/146
D490,045 S	5/2004	Delu et al.	D12/519



(56)

References Cited

U.S. PATENT DOCUMENTS

D654,848 S	2/2012	Yonetsu	D12/519
D665,336 S	8/2012	Skurich et al.	D12/523
D667,358 S	9/2012	Fontaine et al.	D12/518
D677,215 S	3/2013	Nakamura	D12/523
D694,702 S	12/2013	Leconte et al.	D12/521
D696,182 S	12/2013	Sakamoto	D12/519
D708,116 S	7/2014	Caron et al.	D12/523
D720,681 S	1/2015	Bindner et al.	D12/523
D726,100 S	4/2015	Jeong et al.	D12/523
D728,453 S	5/2015	Maxwell et al.	D12/523
D742,808 S *	11/2015	Schimmoeller	D12/521
D743,873 S	11/2015	Majerus et al.	D12/523
D761,717 S *	7/2016	Fu	D12/521
2016/0039248 A1 *	2/2016	Sueno	B60C 11/0306 152/209.8

* cited by examiner

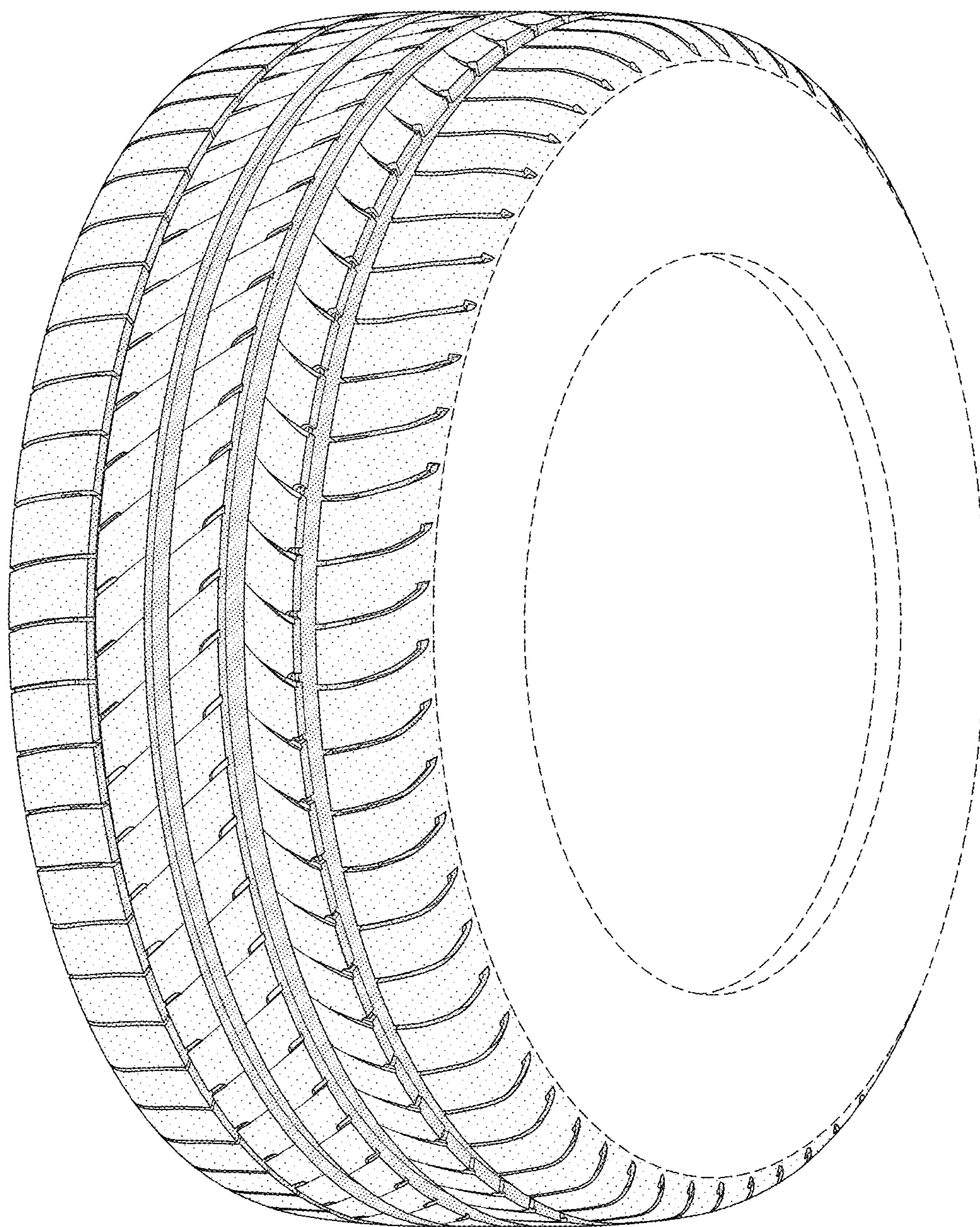


FIG-1

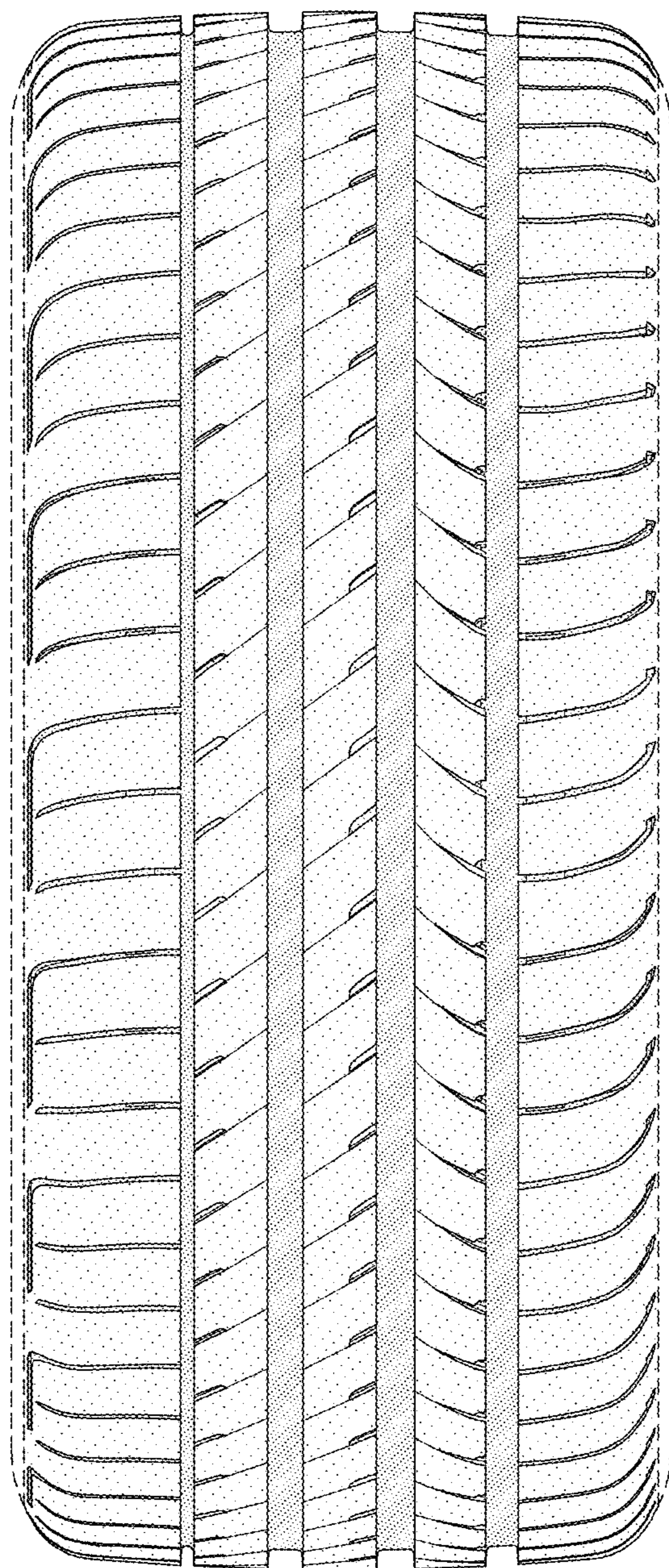


FIG-2

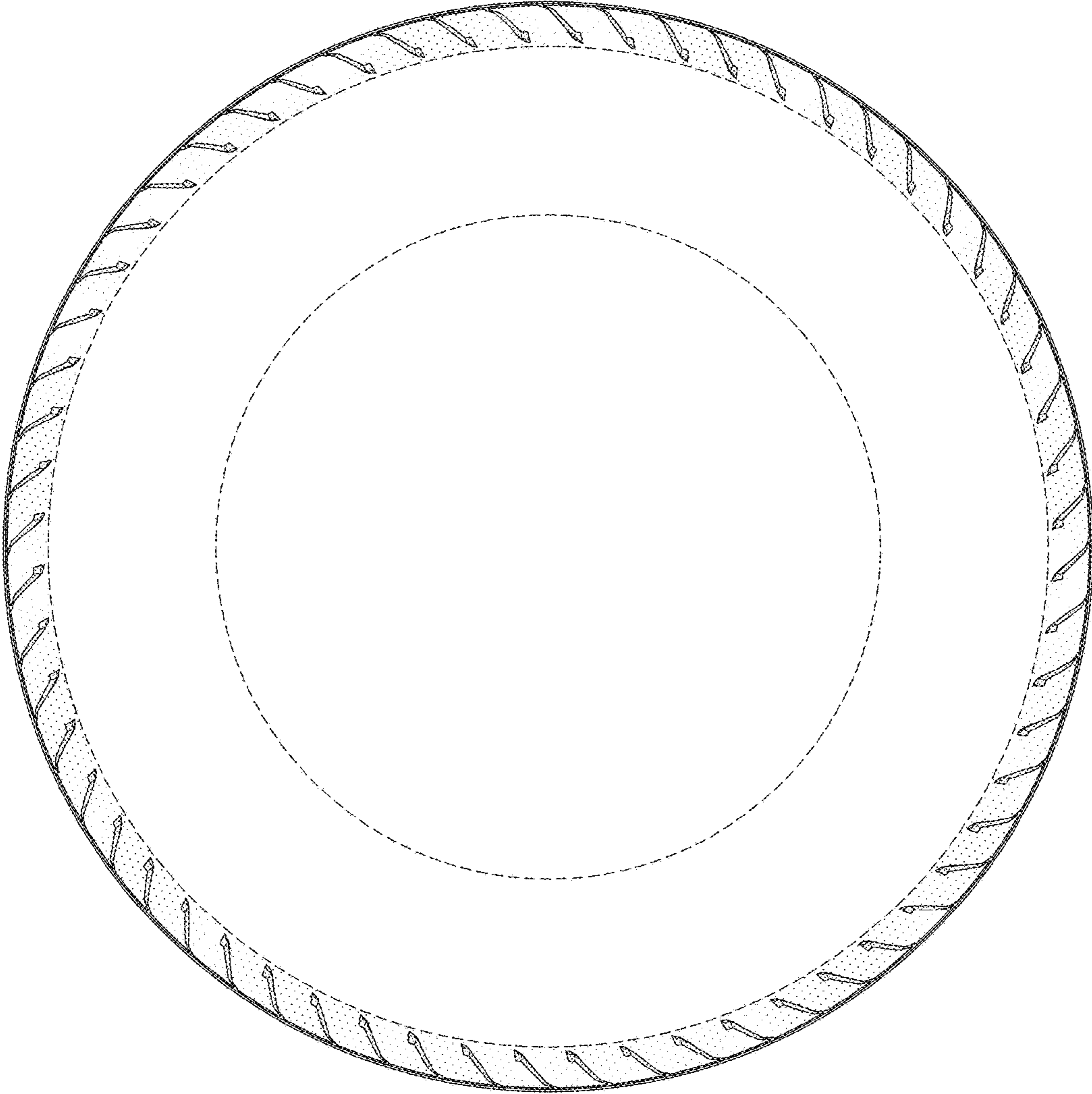


FIG-3

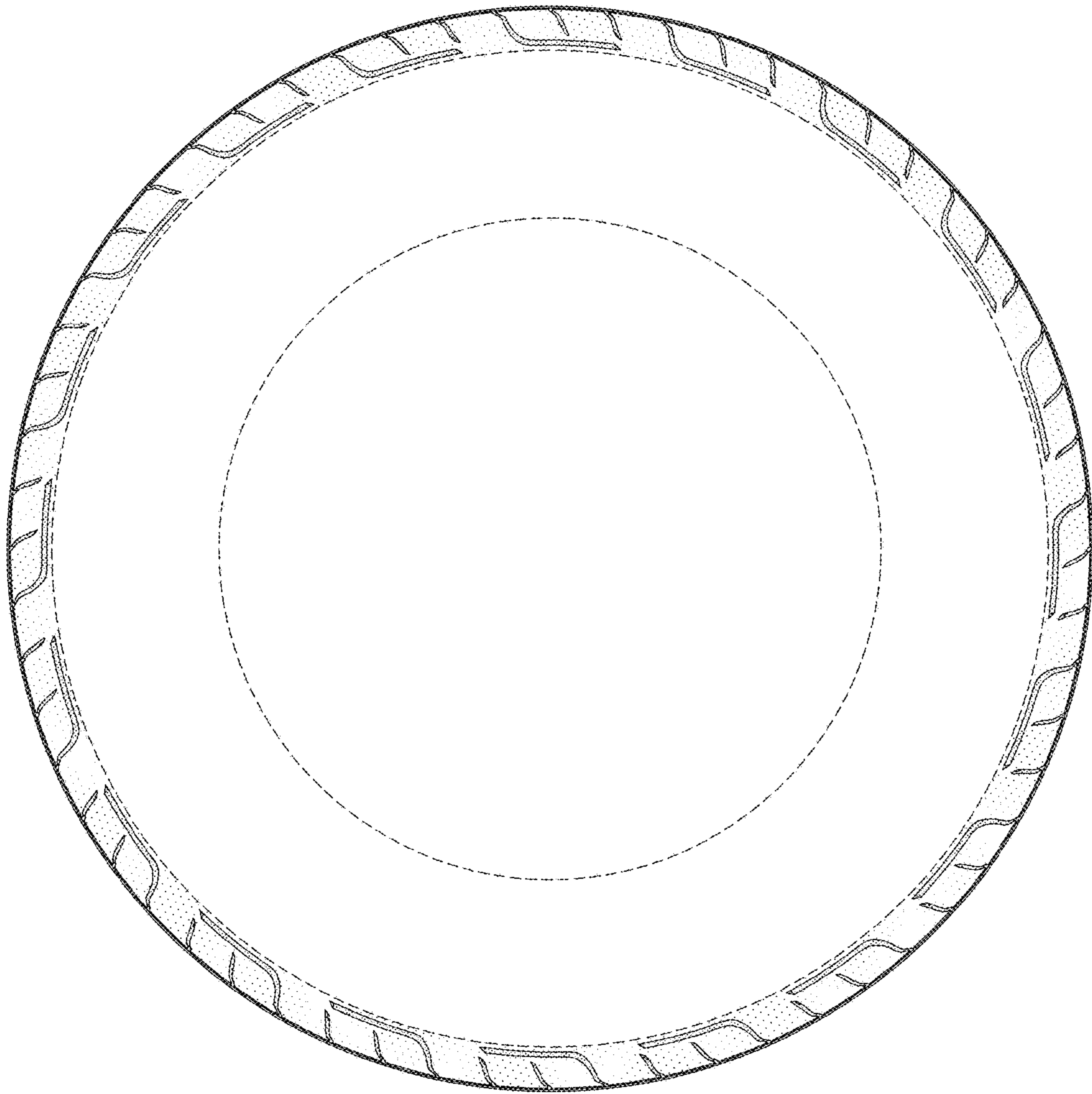


FIG-4

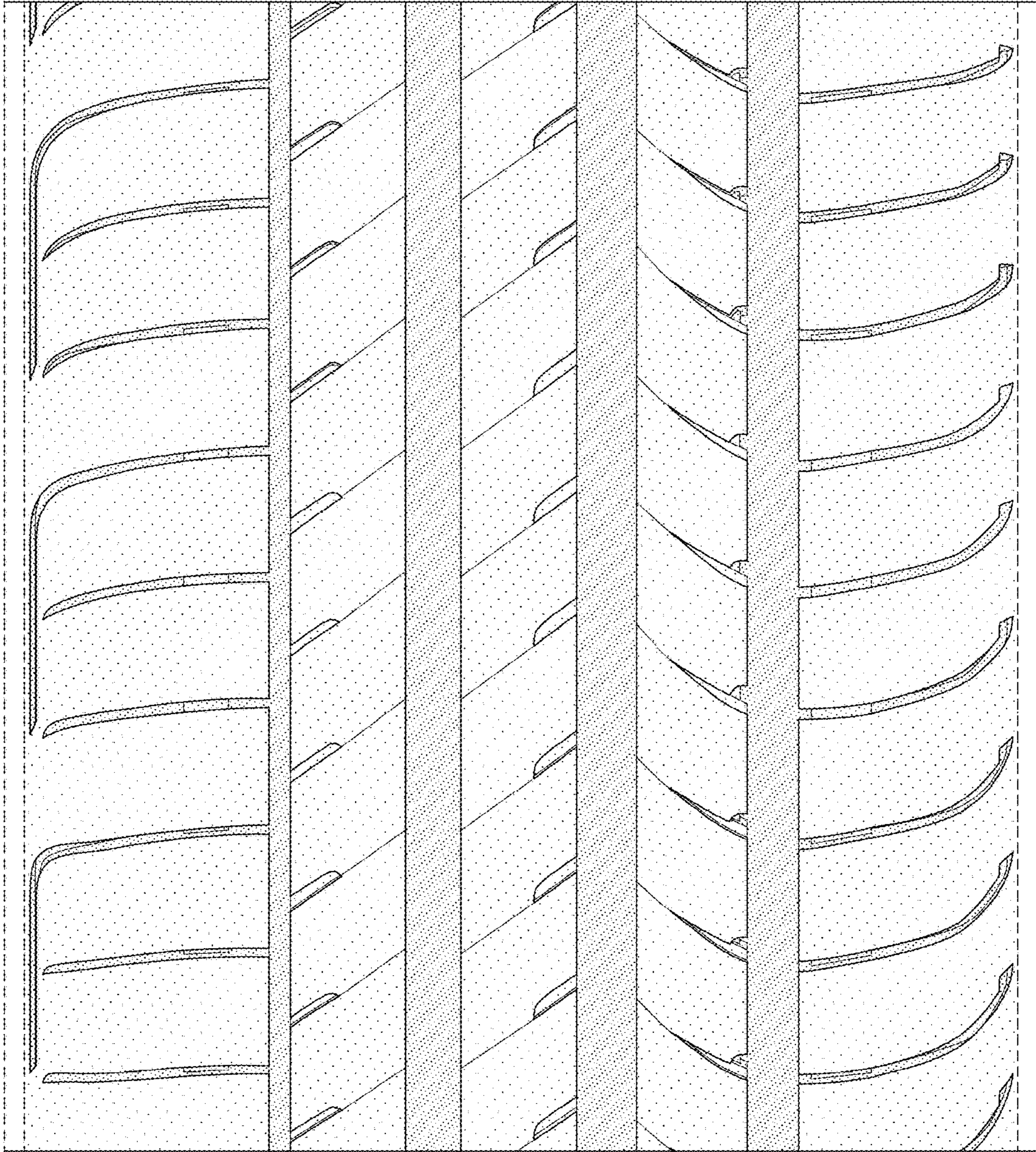


FIG-5