



US00D795158S

(12) **United States Design Patent** (10) **Patent No.:** **US D795,158 S**  
**Gan** (45) **Date of Patent:** **\*\* Aug. 22, 2017**

- (54) **SUBMARINE**
- (71) Applicant: **MerchSource, LLC**, Irvine, CA (US)
- (72) Inventor: **Chon Seong Gan**, Irvine, CA (US)
- (73) Assignee: **MerchSource, LLC**, Irvine, CA (US)
- (\*\*) Term: **15 Years**
- (21) Appl. No.: **29/544,974**
- (22) Filed: **Nov. 9, 2015**
- (51) **LOC (10) Cl.** ..... **12-06**
- (52) **U.S. Cl.**  
USPC ..... **D12/308**
- (58) **Field of Classification Search**  
USPC ..... D12/300, 308, 317; D21/545  
CPC ..... B63G 8/001; B63G 8/002  
See application file for complete search history.

- 4,270,307 A 6/1981 Arigaya
- D304,923 S \* 12/1989 Pado ..... D12/308
- D326,692 S \* 6/1992 Taylor ..... D21/545
- D416,225 S \* 11/1999 Robinson ..... D12/308
- 5,995,882 A \* 11/1999 Patterson ..... B63C 11/42  
114/312
- D447,109 S \* 8/2001 Paoli ..... D12/308
- D677,211 S \* 3/2013 Tavares ..... D12/308
- D733,634 S \* 7/2015 De Camargo Aranha ... D12/308

\* cited by examiner

*Primary Examiner* — Cynthia M Chin  
(74) *Attorney, Agent, or Firm* — Avyno Law P.C.

(57) **CLAIM**

I claim the ornamental design for a submarine, as shown and described.

**DESCRIPTION**

FIG. 1 is a perspective view of a submarine.  
 FIG. 2 is a side view of the left side of the submarine of FIG. 1.  
 FIG. 3 is a side view of the right side of the submarine of FIG. 1.  
 FIG. 4 is a top view of the submarine of FIG. 1.  
 FIG. 5 is a bottom view of the submarine of FIG. 1.  
 FIG. 6 is a rear view of the submarine of FIG. 1; and,  
 FIG. 7 is a front view of the submarine of FIG. 1.  
 The broken lines shown are included for the purpose of illustrating portions of the article which form no part of the claimed design.

(56) **References Cited**  
U.S. PATENT DOCUMENTS

- 2,903,822 A 9/1959 Reid
- 3,010,255 A 11/1961 Gordon
- 3,091,895 A 6/1963 Stopek
- 3,181,272 A 5/1965 Gibson
- D205,812 S \* 9/1966 Ulbrich ..... D12/308
- D219,892 S \* 2/1971 Martine ..... D12/308
- D221,261 S \* 7/1971 Tallarico ..... D12/308
- 3,722,452 A \* 3/1973 Wynn, Jr. .... B63G 8/42  
114/244
- D239,613 S \* 4/1976 Askeborn ..... D12/308

**1 Claim, 6 Drawing Sheets**

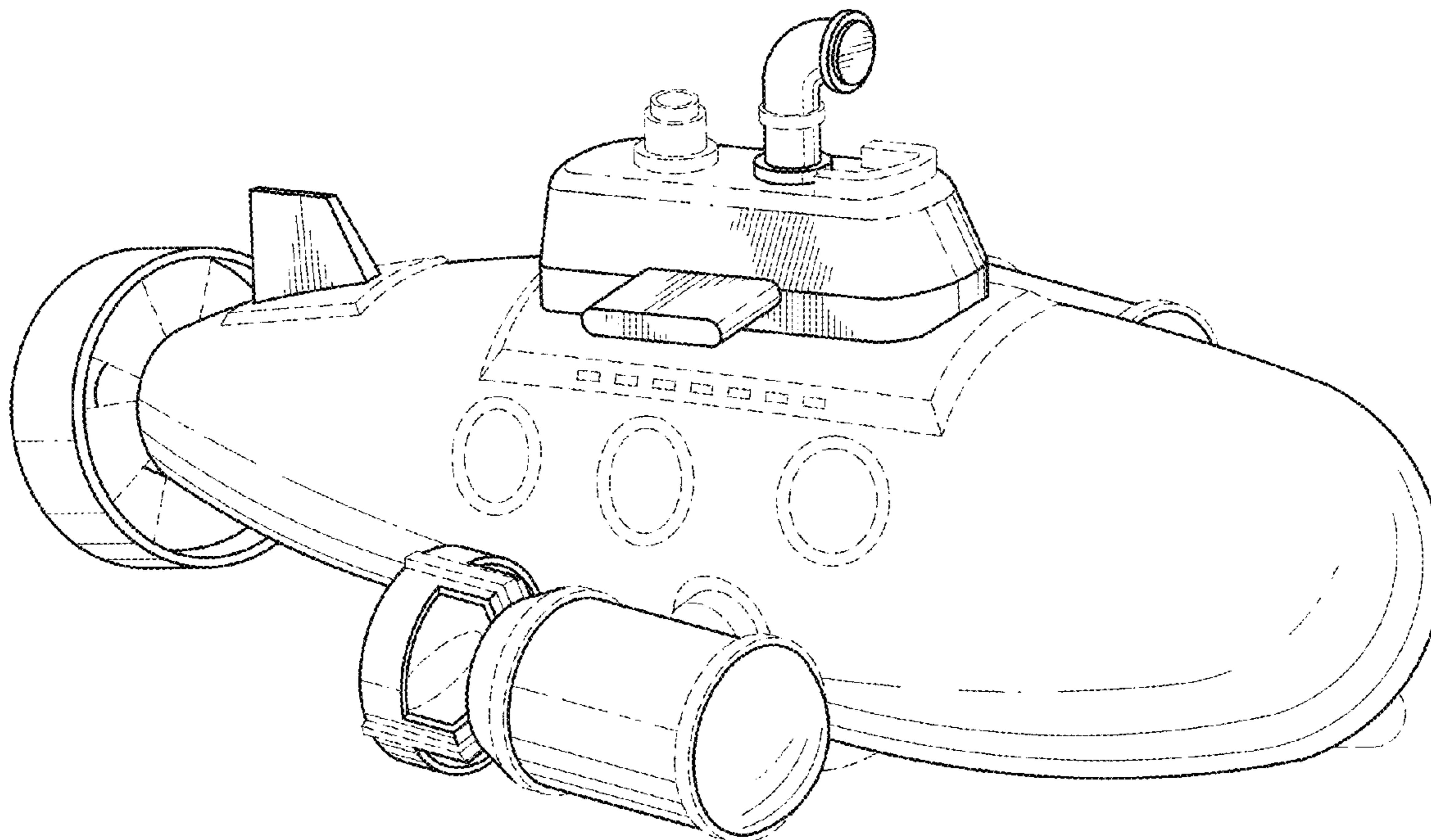
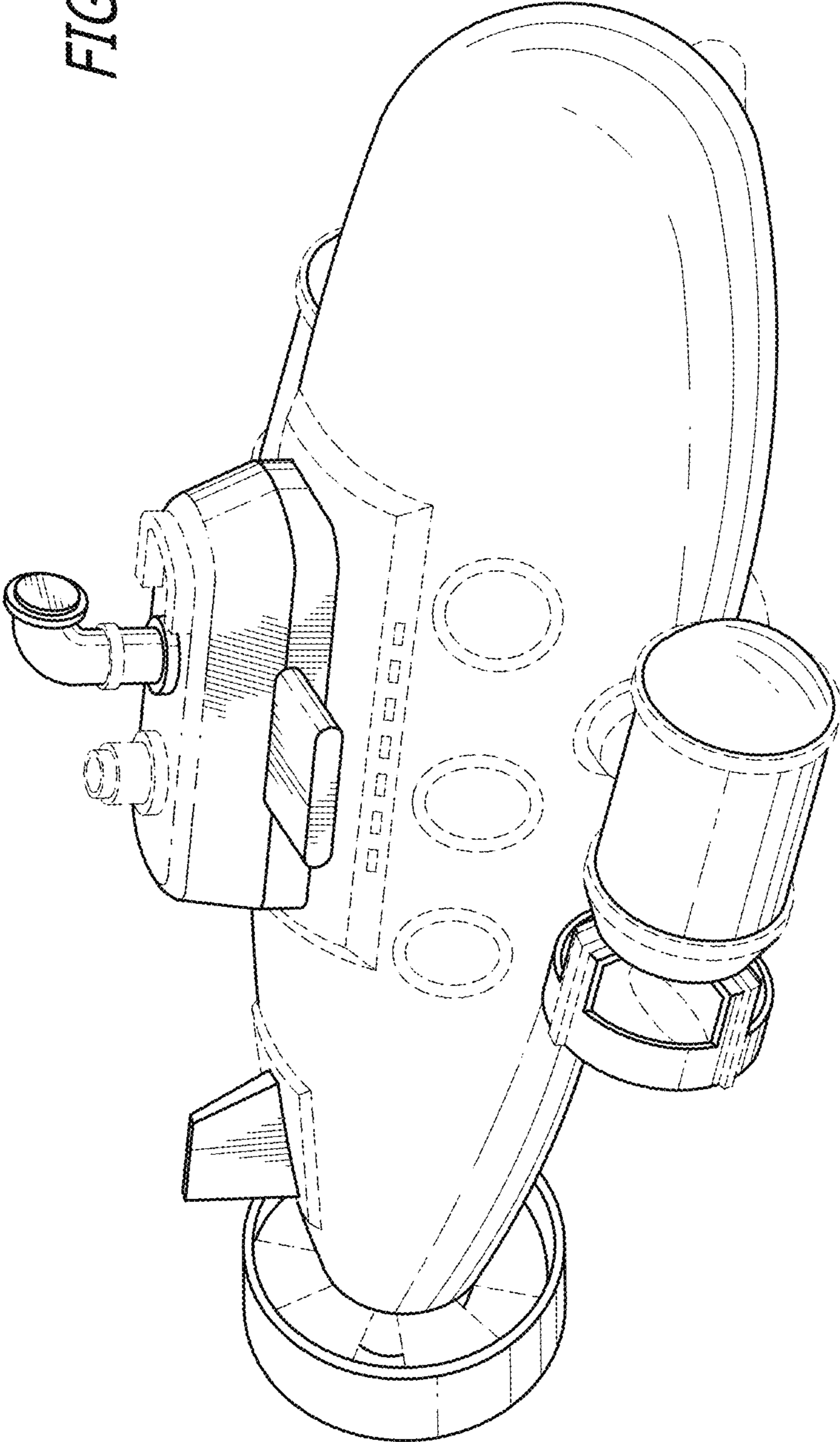


FIG. 1



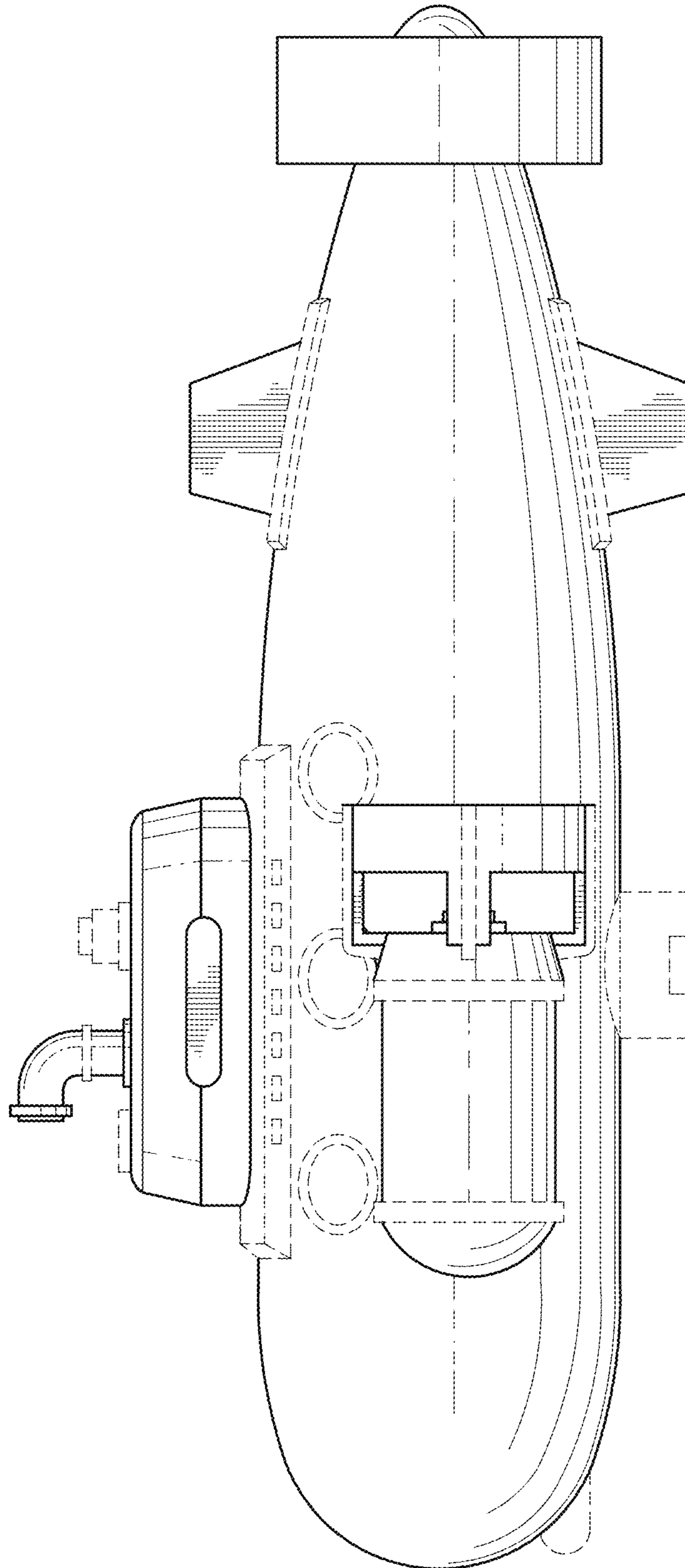


FIG. 2

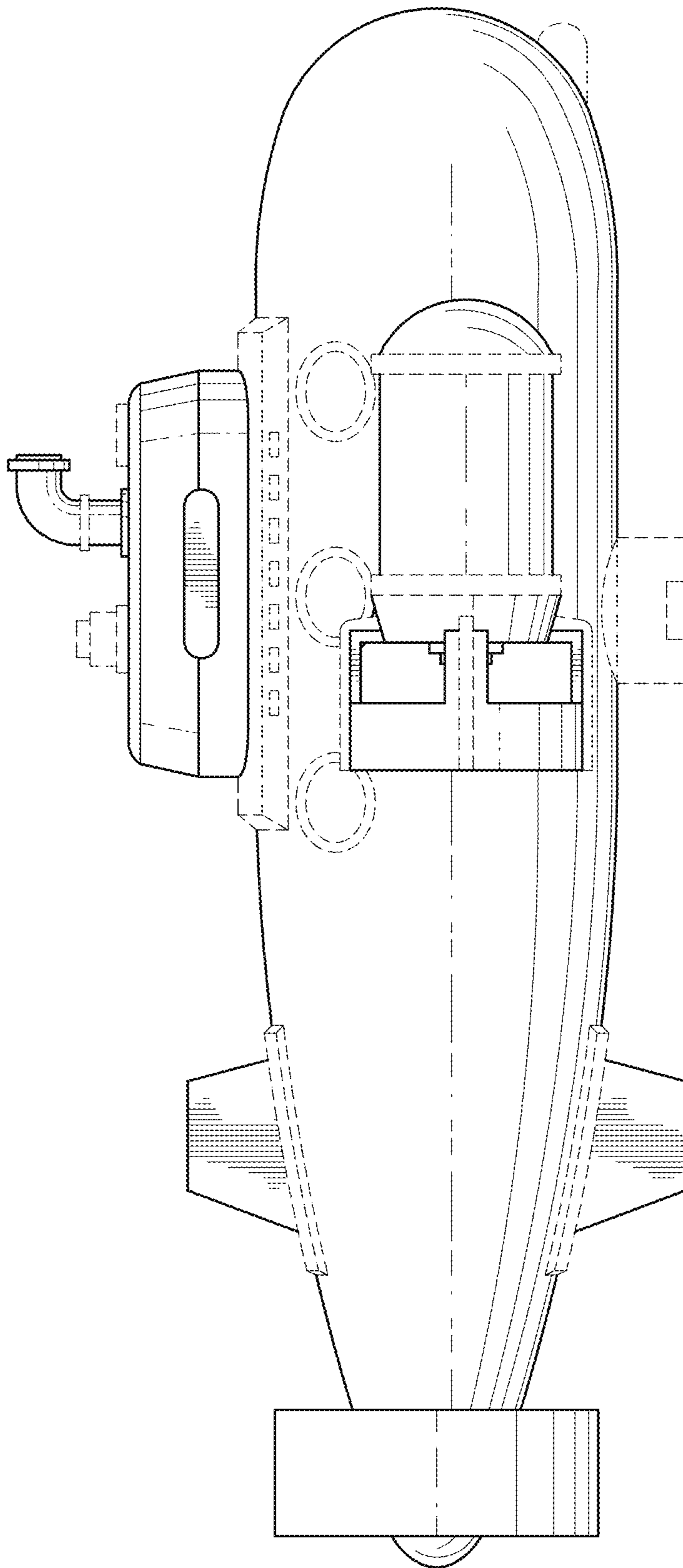


FIG. 3



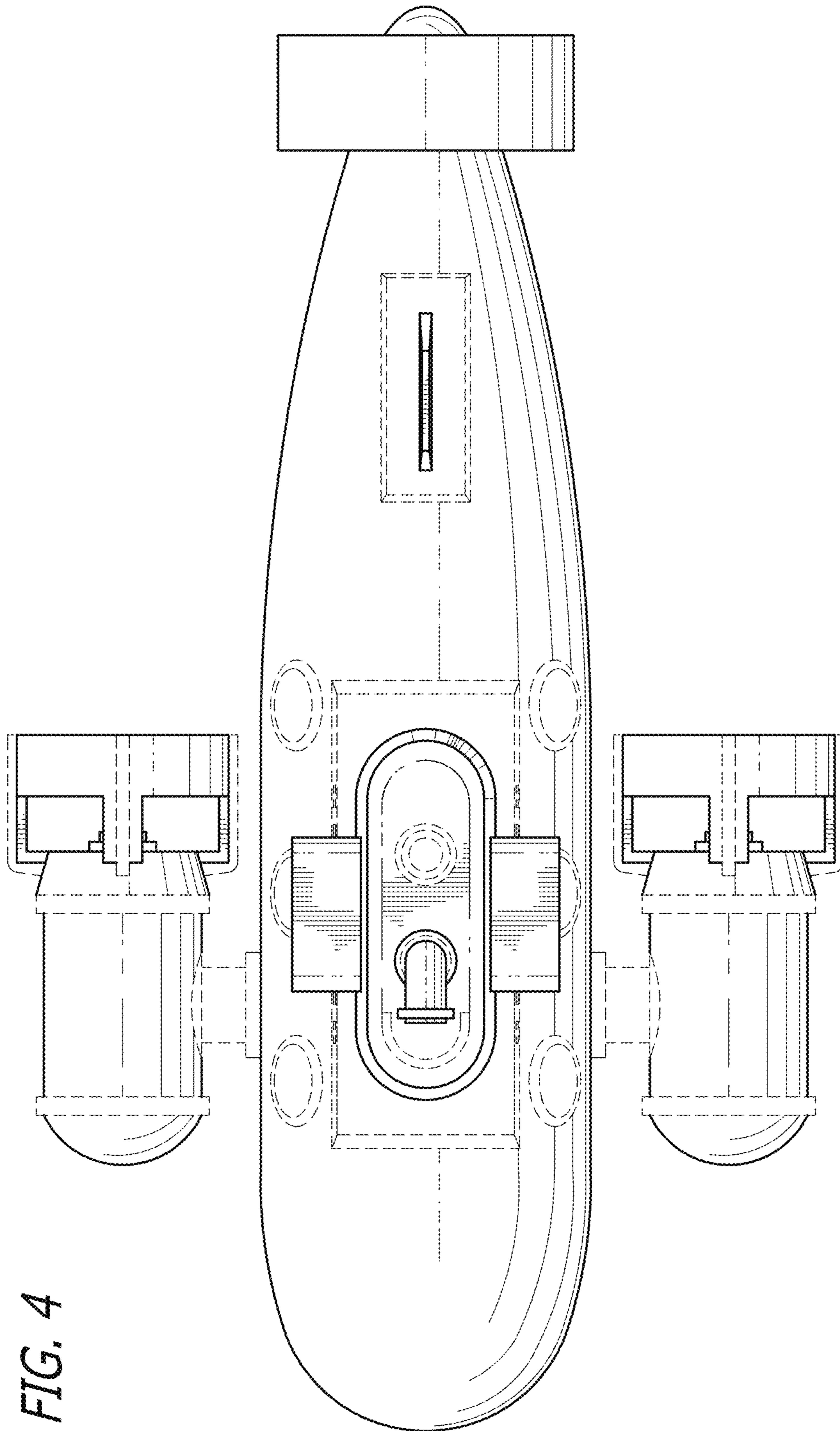


FIG. 4

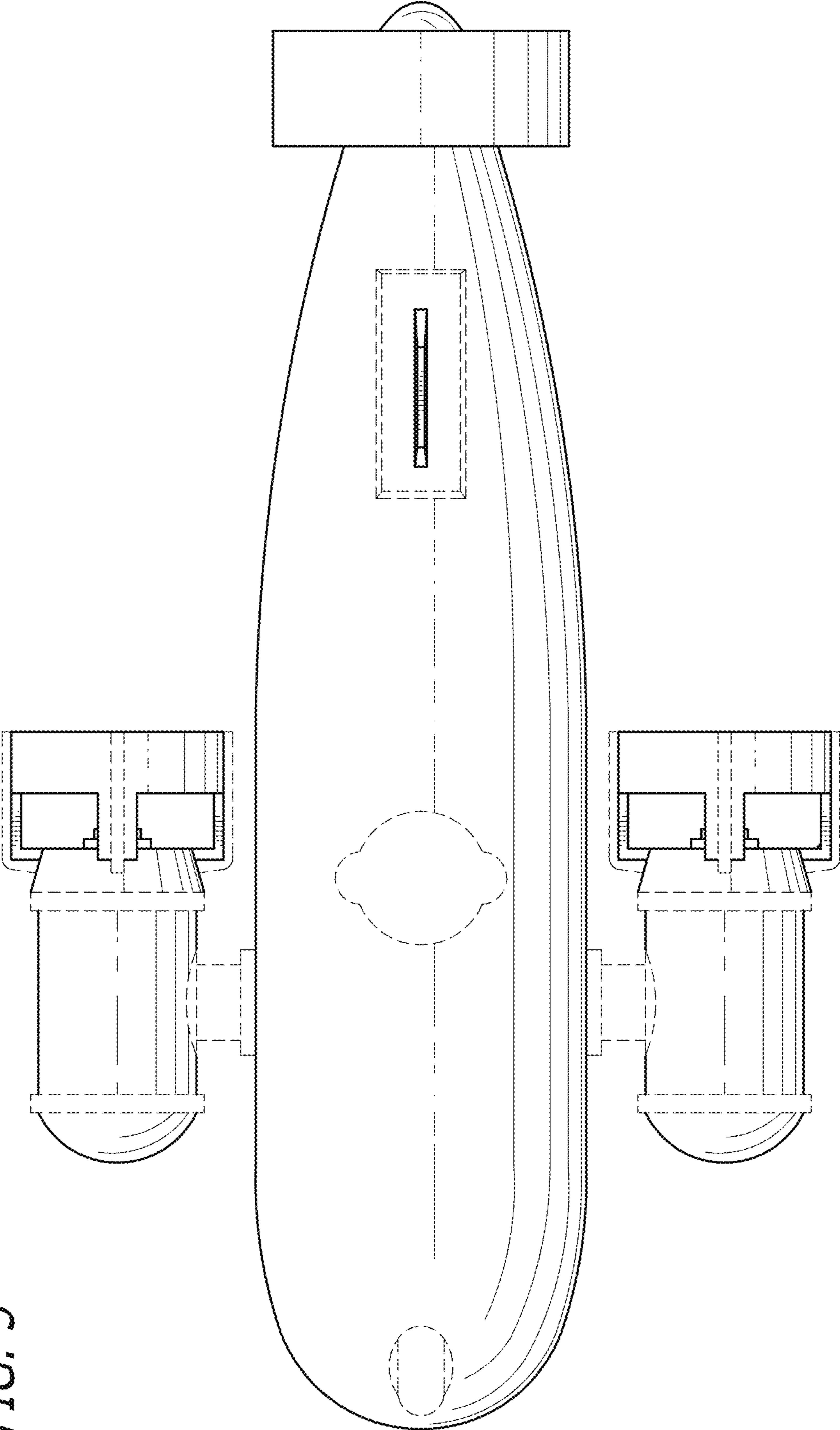
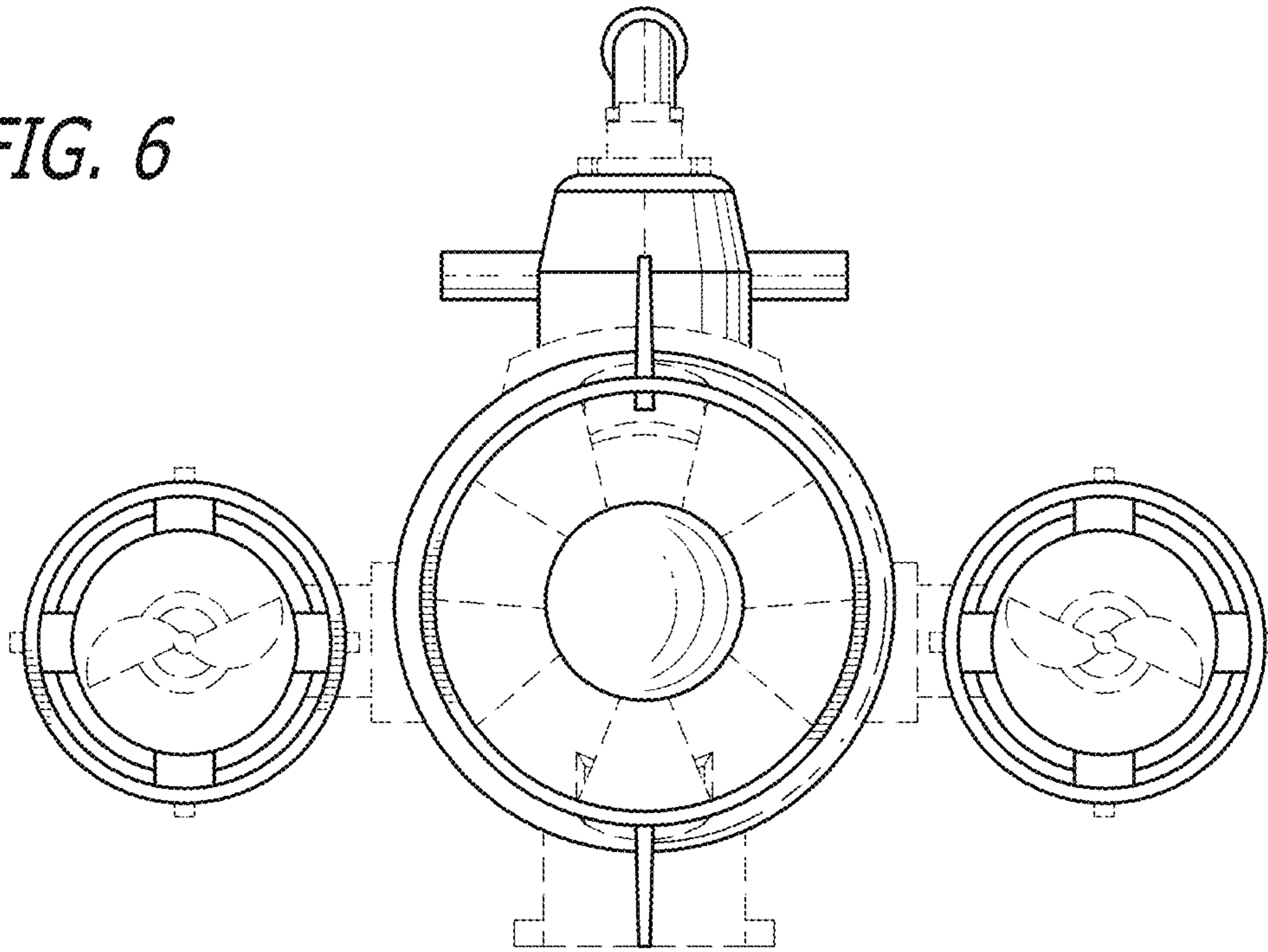


FIG. 5

*FIG. 6*



*FIG. 7*

