



US00D795157S

(12) **United States Design Patent** (10) **Patent No.:** **US D795,157 S**
Biesenbruck et al. (45) **Date of Patent:** **** *Aug. 22, 2017**

(54) **TARPAULIN ROLLER ASSEMBLY FOR TRUCKS**
(71) Applicant: **European Trailer Systems GmbH, Moers (DE)**
(72) Inventors: **Volker Biesenbruck, Rees (DE); Frank Frentzen, Viersen (DE)**
(73) Assignee: **European Trailer Systems GmbH, Moers (DE)**
(*) Notice: This patent is subject to a terminal disclaimer.
(**) Term: **15 Years**
(21) Appl. No.: **29/556,485**
(22) Filed: **Mar. 1, 2016**
(51) **LOC (10) Cl.** **12-06**
(52) **U.S. Cl.**
USPC **D12/223**
(58) **Field of Classification Search**
USPC D8/349, 354, 373, 377, 382, 499;
D12/101, 102, 105, 106, 400, 401, 403,
D12/223; D25/48.4, 48.5, 48.7, 39
CPC B60J 5/065; Y10T 16/364; Y10T 16/3837;
A47H 15/02; E05D 15/0678; E05Y
2201/688
See application file for complete search history.

(56) **References Cited**
U.S. PATENT DOCUMENTS
1,106,233 A * 8/1914 Mueller E05D 15/063
16/103
1,805,233 A * 5/1931 Boye A47H 5/032
160/346
1,930,379 A * 10/1933 Bennett E05D 15/063
16/100
2,940,113 A * 6/1960 Riser E05D 15/063
16/105

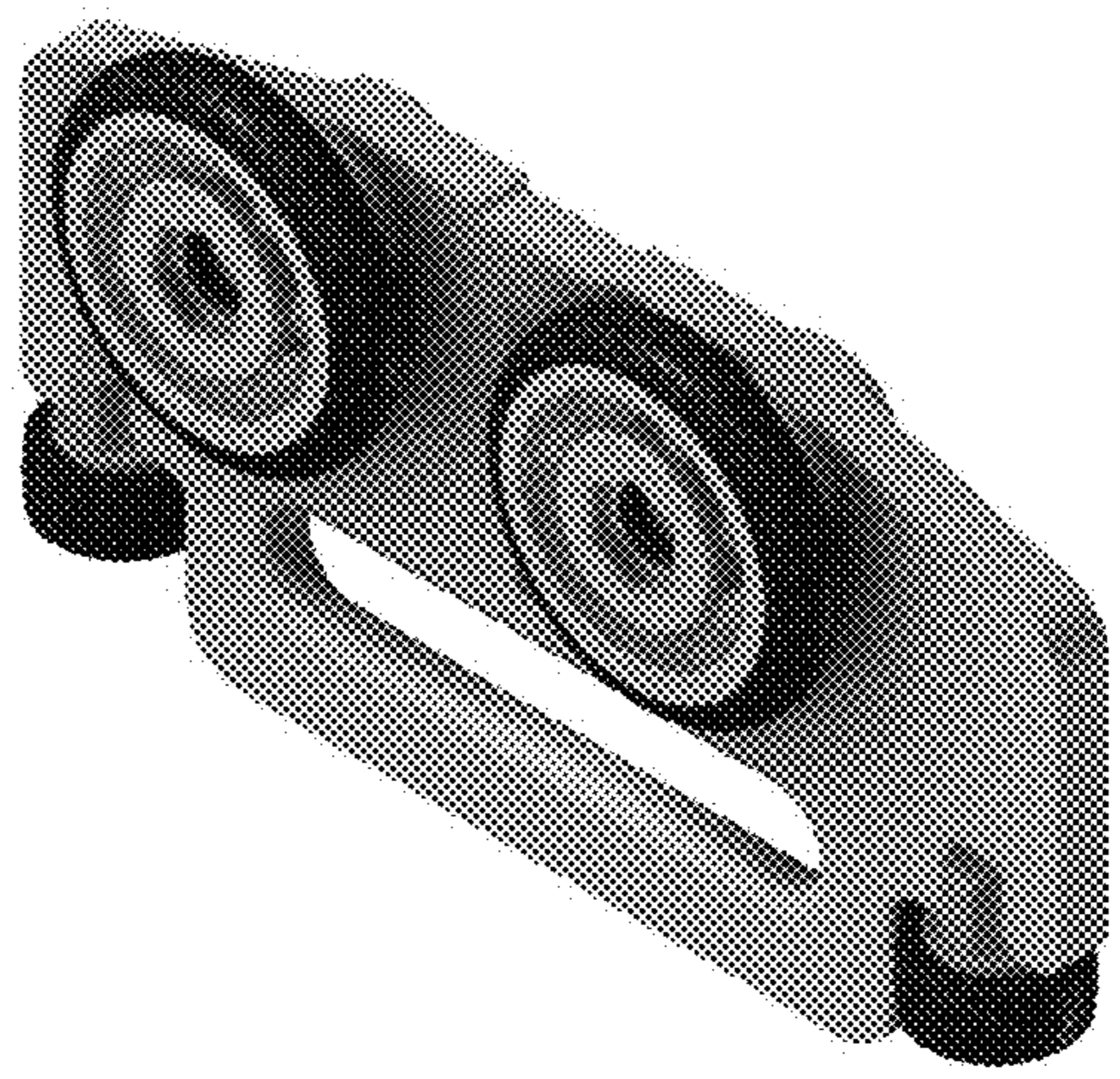
2,999,267 A * 9/1961 Sterling E05D 15/0634
16/105
3,057,005 A * 10/1962 Dishaw E05D 15/063
16/105
6,141,827 A * 11/2000 Wu A47H 5/02
16/106
9,085,924 B2 * 7/2015 Tidwell E05D 15/0669
9,458,654 B2 * 10/2016 Palsson E05D 15/0634
(Continued)

Primary Examiner — Sandra Snapp
Assistant Examiner — Ieisha Price
(74) *Attorney, Agent, or Firm* — Nikolai & Mersereau,
P.A.; Thomas J. Nikolai

(57) **CLAIM**
The ornamental design for a tarpaulin roller assembly for trucks, as shown and described.

DESCRIPTION
The patent or application file contains at least one drawing executed in color. Copies of this patent or patent application publication with color drawing(s) will be provided by the Office upon request and payment of the necessary fee.
FIG. 1 is a perspective view of a tarpaulin roller assembly for trucks;
FIG. 2 is a front view of the tarpaulin roller assembly for trucks of FIG. 1;
FIG. 3 is a back view of the tarpaulin roller assembly for trucks of FIG. 1;
FIG. 4 is a top view of the tarpaulin roller assembly for trucks of FIG. 1;
FIG. 5 is a bottom view of the tarpaulin roller assembly for trucks of FIG. 1;
FIG. 6 is a left side view of the tarpaulin roller assembly for trucks of FIG. 1; and,
FIG. 7 is a right side view of the tarpaulin roller assembly for trucks of FIG. 1.

1 Claim, 4 Drawing Sheets
(4 of 4 Drawing Sheet(s) Filed in Color)



(56)

References Cited

U.S. PATENT DOCUMENTS

2004/0255517 A1* 12/2004 Inage E05D 15/063
49/409
2006/0232103 A1* 10/2006 Zugaza Fernandez .. B60J 5/065
296/186.2
2007/0017065 A1* 1/2007 Hutnik E05D 15/0669
16/91
2007/0101540 A1* 5/2007 Martin A47K 3/34
16/97
2008/0197664 A1* 8/2008 Lowry B60J 7/062
296/100.18
2009/0309324 A1* 12/2009 Comunello E05D 15/0617
280/79.7
2010/0269291 A1* 10/2010 Haab E05D 15/0634
16/91
2012/0011681 A1* 1/2012 Scharf A47H 5/032
16/87.8
2015/0035315 A1* 2/2015 Petelka B62D 33/04
296/186.2

* cited by examiner



Fig. 1

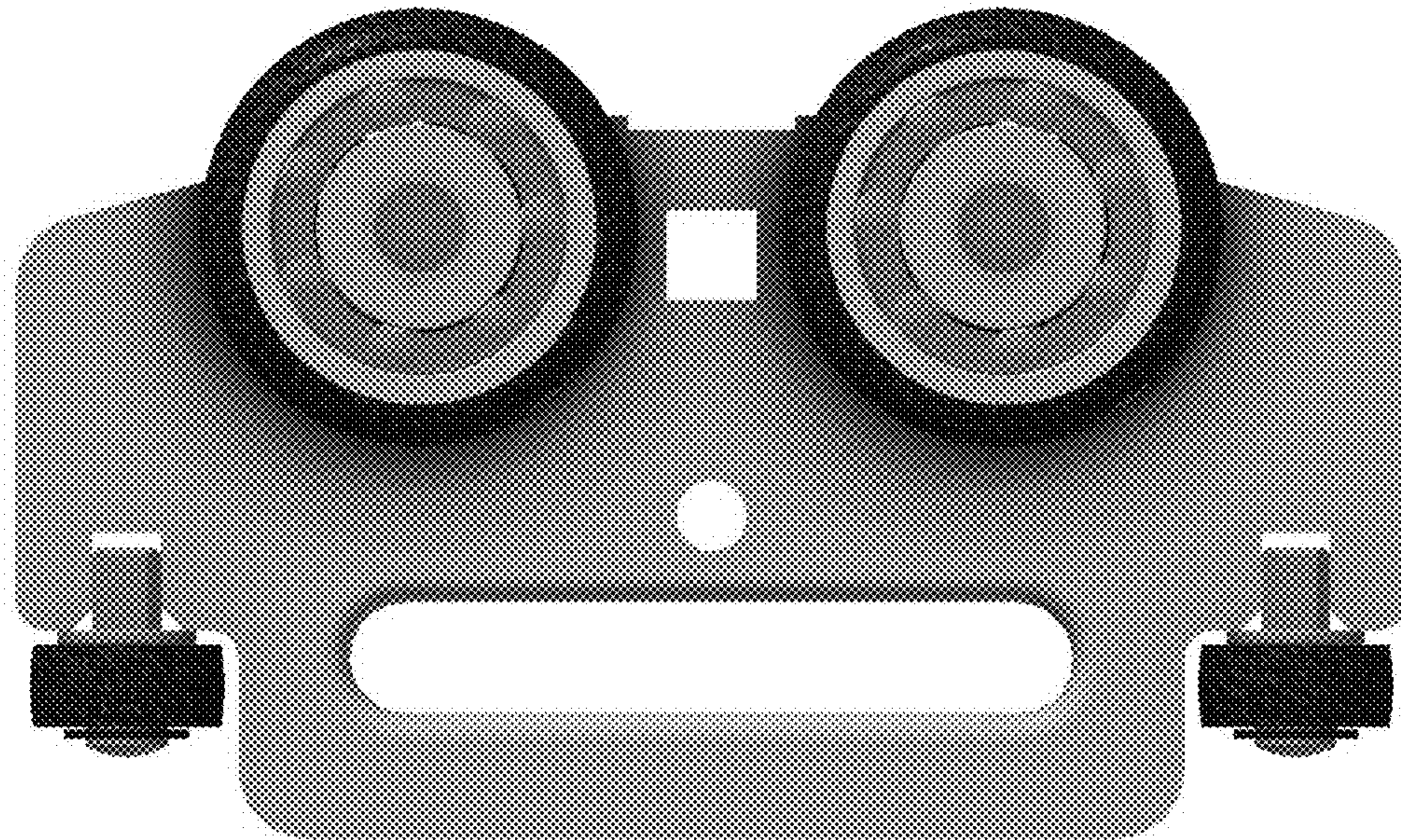


Fig. 2

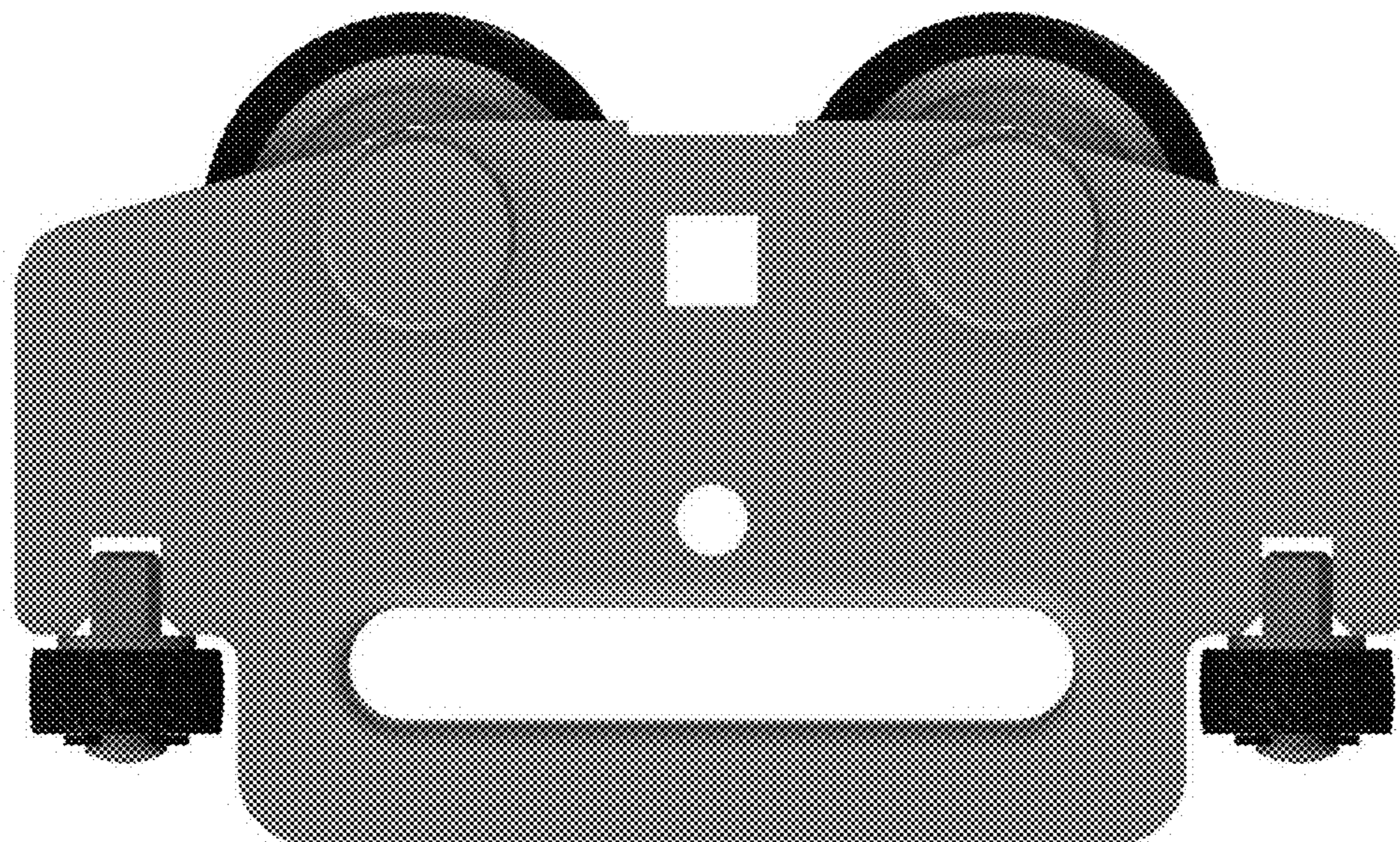


Fig. 3

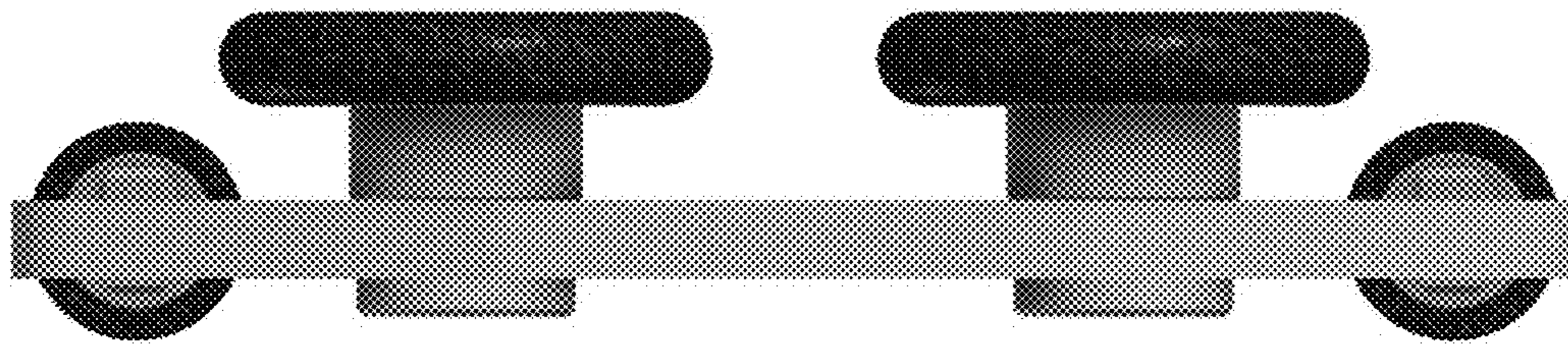


Fig. 4

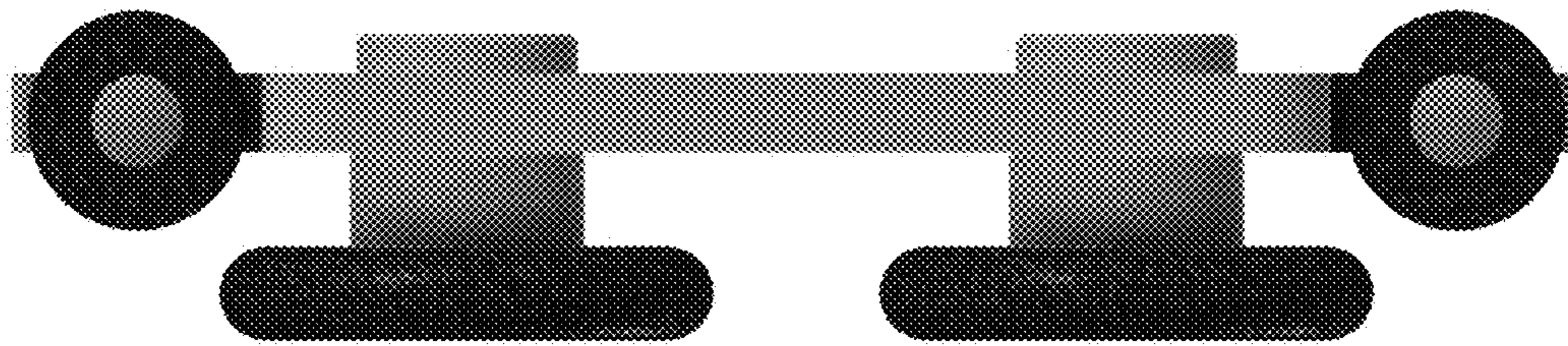


Fig. 5

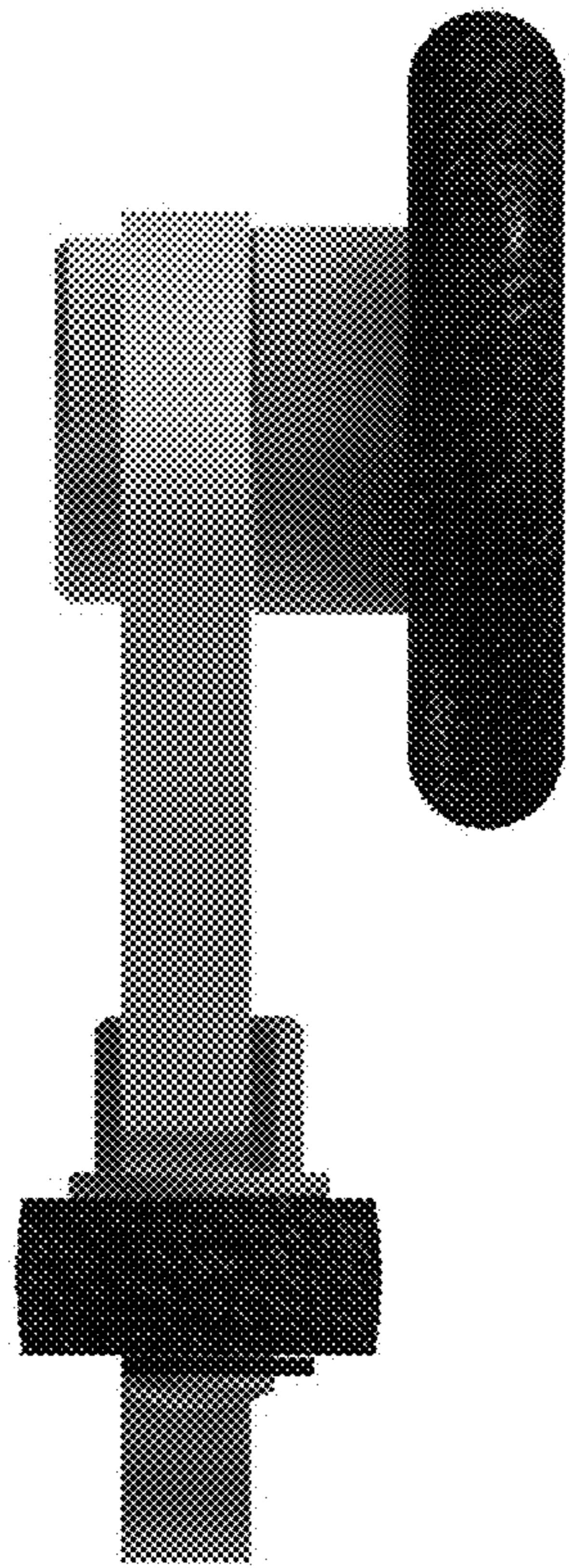


Fig. 6

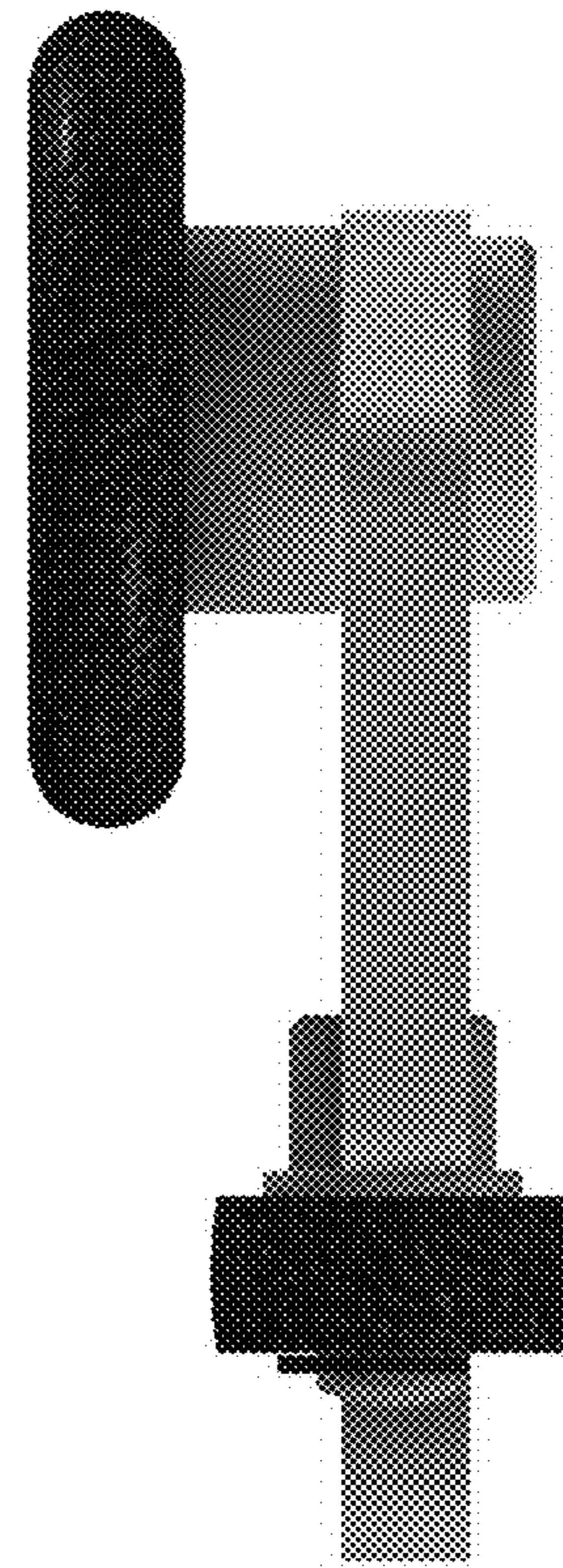


Fig. 7