



US00D795155S

(12) **United States Design Patent**
Valencia Pollex

(10) **Patent No.:** **US D795,155 S**

(45) **Date of Patent:** **** Aug. 22, 2017**

(54) **VEHICLE WHEEL RIM**

(71) Applicant: **AUDI AG**, Ingolstadt (DE)

(72) Inventor: **Andreas Valencia Pollex**, Ingolstadt (DE)

(73) Assignee: **AUDI AG**, Ingolstadt (DE)

(**) Term: **15 Years**

(21) Appl. No.: **29/578,297**

(22) Filed: **Sep. 20, 2016**

(30) **Foreign Application Priority Data**

Mar. 21, 2016 (EM) 003 037 712-0013

(51) **LOC (10) Cl.** **12-16**

(52) **U.S. Cl.**
USPC **D12/211**

(58) **Field of Classification Search**
USPC D12/204-213
CPC B60B 7/00; B60B 7/02; B60B 7/04; B60B 7/01; B60B 7/06; B60B 3/02; B60B 3/04; B60B 3/06; B60B 3/10; B60B 1/00; B60B 1/08; B60B 1/10; B60B 1/12
See application file for complete search history.

(56) **References Cited**

U.S. PATENT DOCUMENTS

D445,083 S * 7/2001 Chung D12/211
D569,322 S * 5/2008 Scheu D12/211
D574,311 S * 8/2008 Chung D12/209
D590,322 S * 4/2009 Rak D12/211

D655,657 S * 3/2012 Juergens D12/209
D666,958 S * 9/2012 Suzuki D12/211
D678,164 S * 3/2013 Badstuebner D12/211
D686,132 S * 7/2013 Truebsbach D12/209
D686,134 S * 7/2013 Amezqueta D12/211
D691,081 S * 10/2013 Watkin D12/211
D695,186 S * 12/2013 Pollmann D12/209
D702,614 S * 4/2014 Lemke D12/211
D708,110 S * 7/2014 Borkert D12/211
D710,286 S * 8/2014 Yamaguchi D12/209
D726,628 S * 4/2015 Kong D12/211
D729,138 S * 5/2015 Davidson D12/209
D746,212 S * 12/2015 Valencia Pollex D12/211
D756,878 S * 5/2016 Valencia Pollex D12/209
D762,543 S * 8/2016 Hara D12/209
D769,172 S * 10/2016 Ishii D12/211
D778,798 S * 2/2017 Park D12/209
D781,769 S * 3/2017 Valencia Pollex D12/211
D783,497 S * 4/2017 Vartola D12/211
D785,535 S * 5/2017 Valencia Pollex D12/209
D785,537 S * 5/2017 Valencia Pollex D12/211

* cited by examiner

Primary Examiner — Stacia Cadmus

(74) *Attorney, Agent, or Firm* — Lucas & Mercanti, LLP; Klaus P. Stoffel

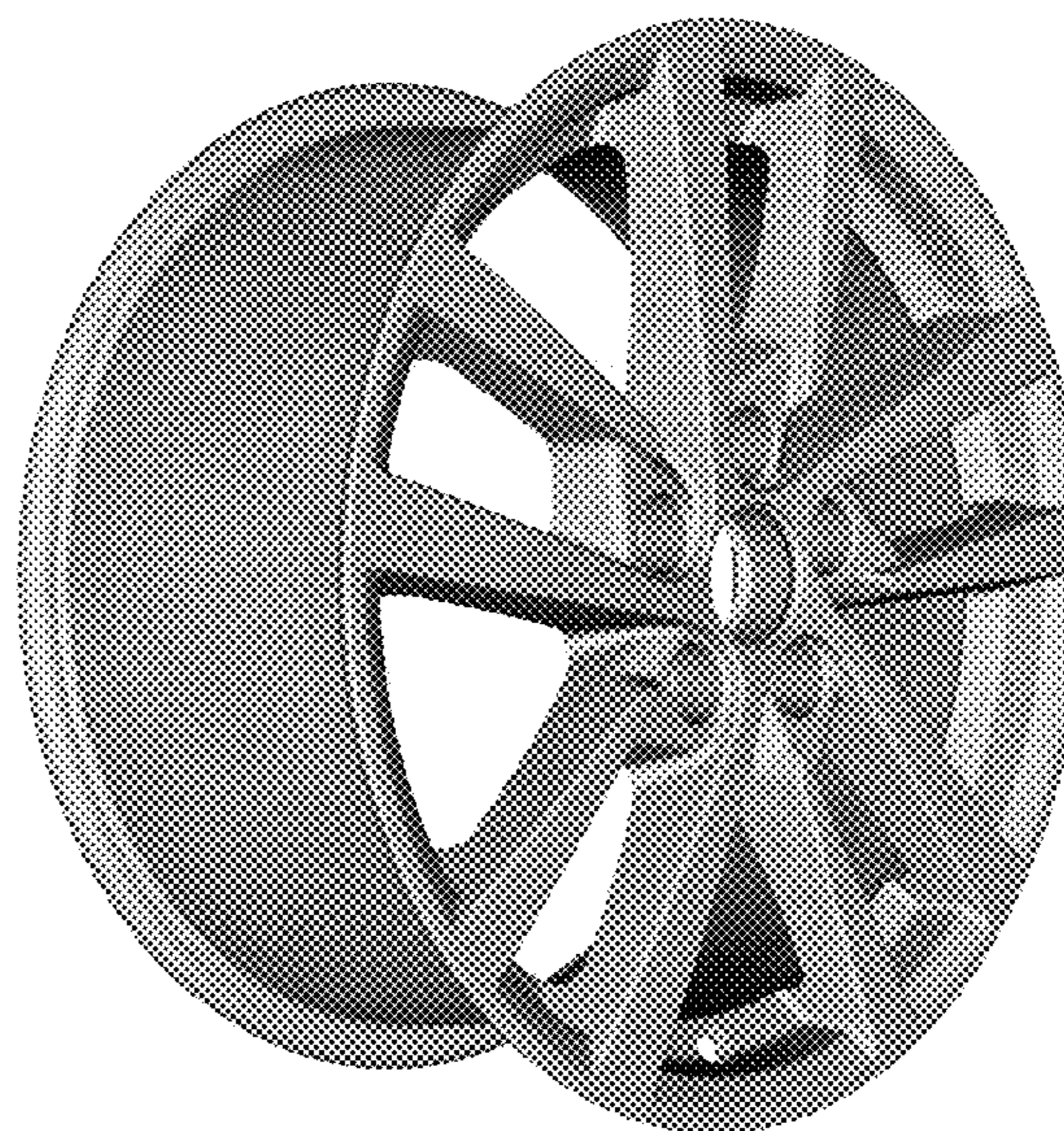
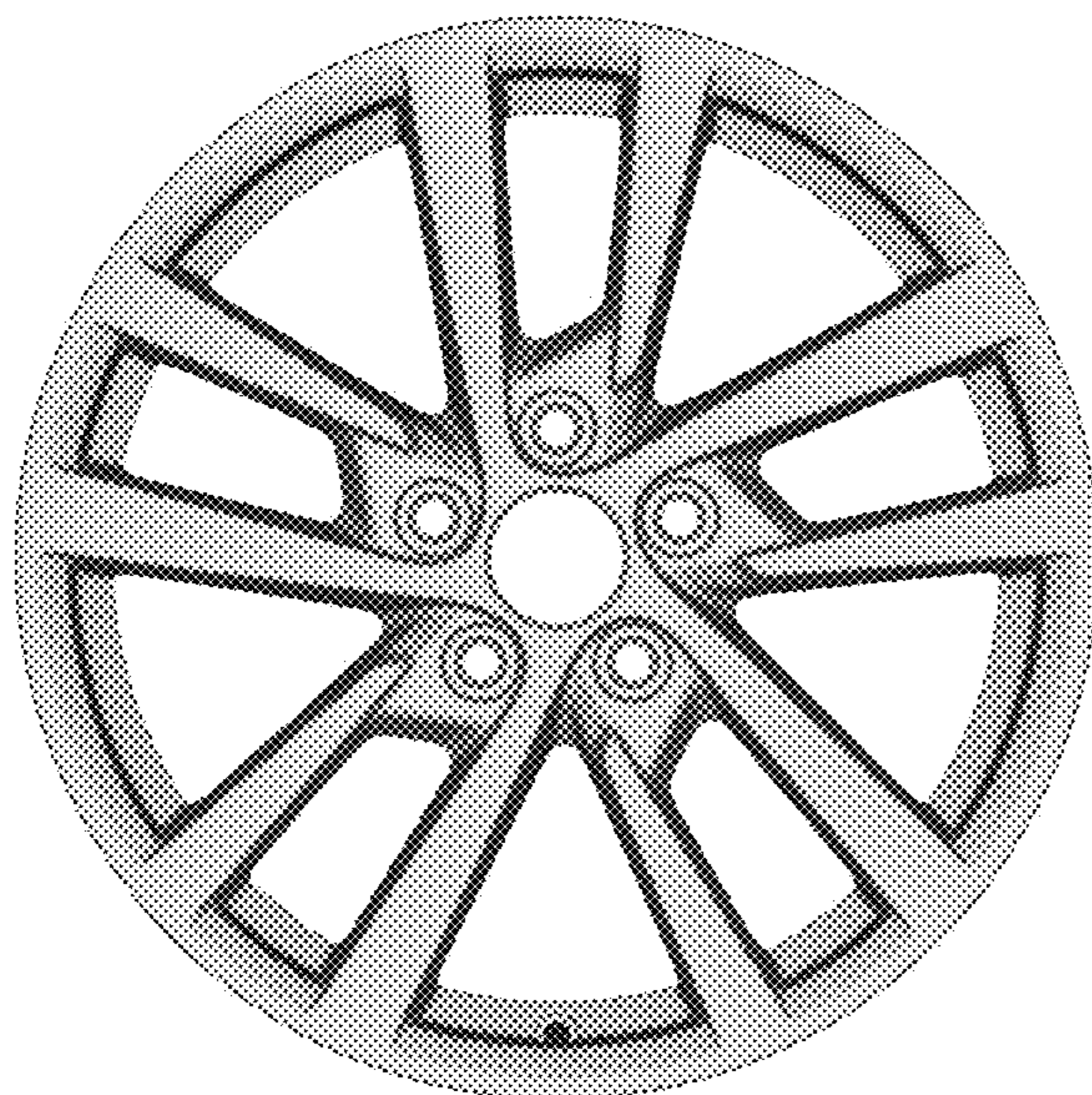
(57) **CLAIM**

The ornamental design for a vehicle wheel rim, as shown and described.

DESCRIPTION

FIG. 1 is a front view of the vehicle wheel rim of the present invention; and,
FIG. 2 is a front, side perspective view thereof.

1 Claim, 2 Drawing Sheets



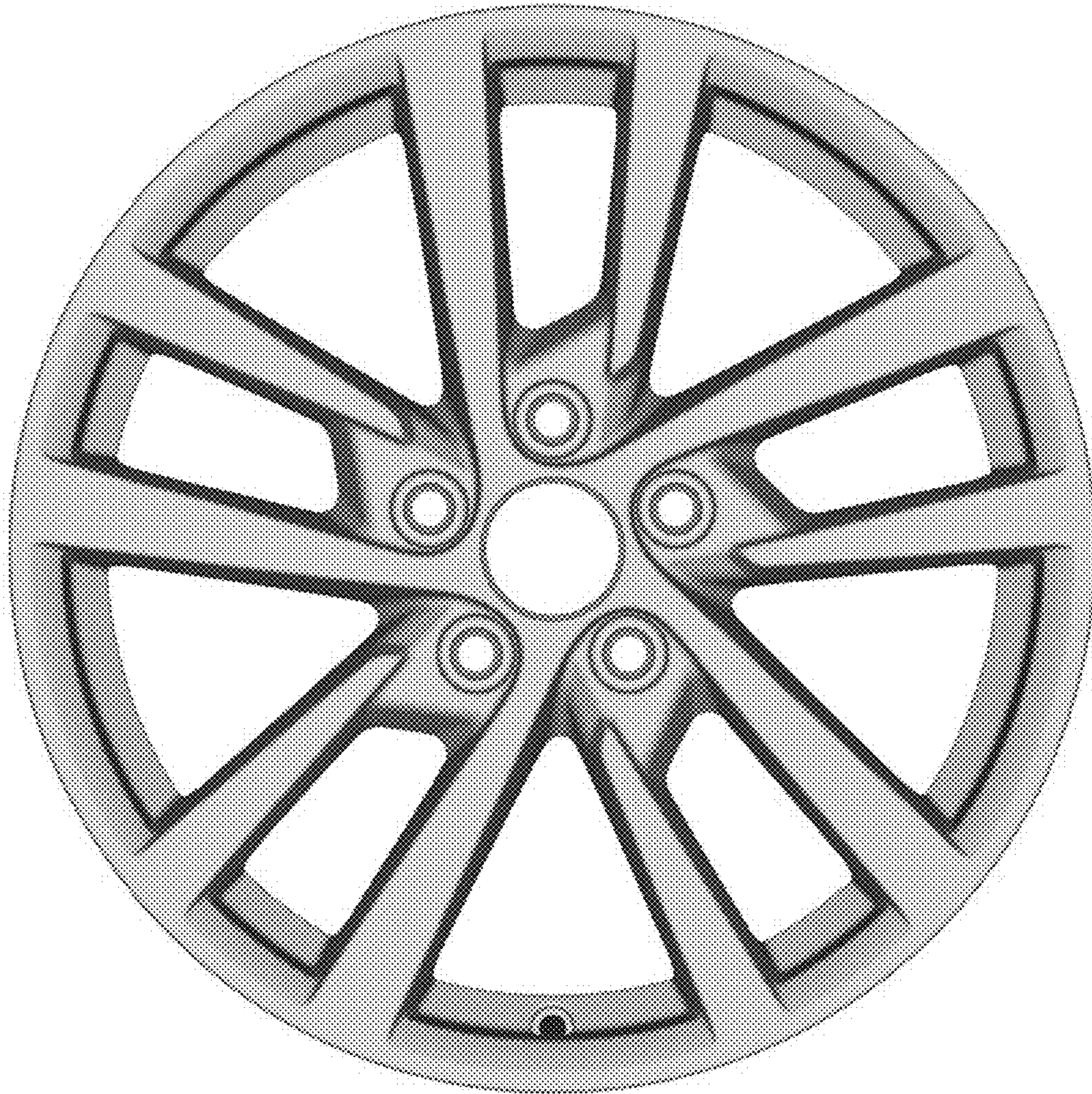


Fig. 1

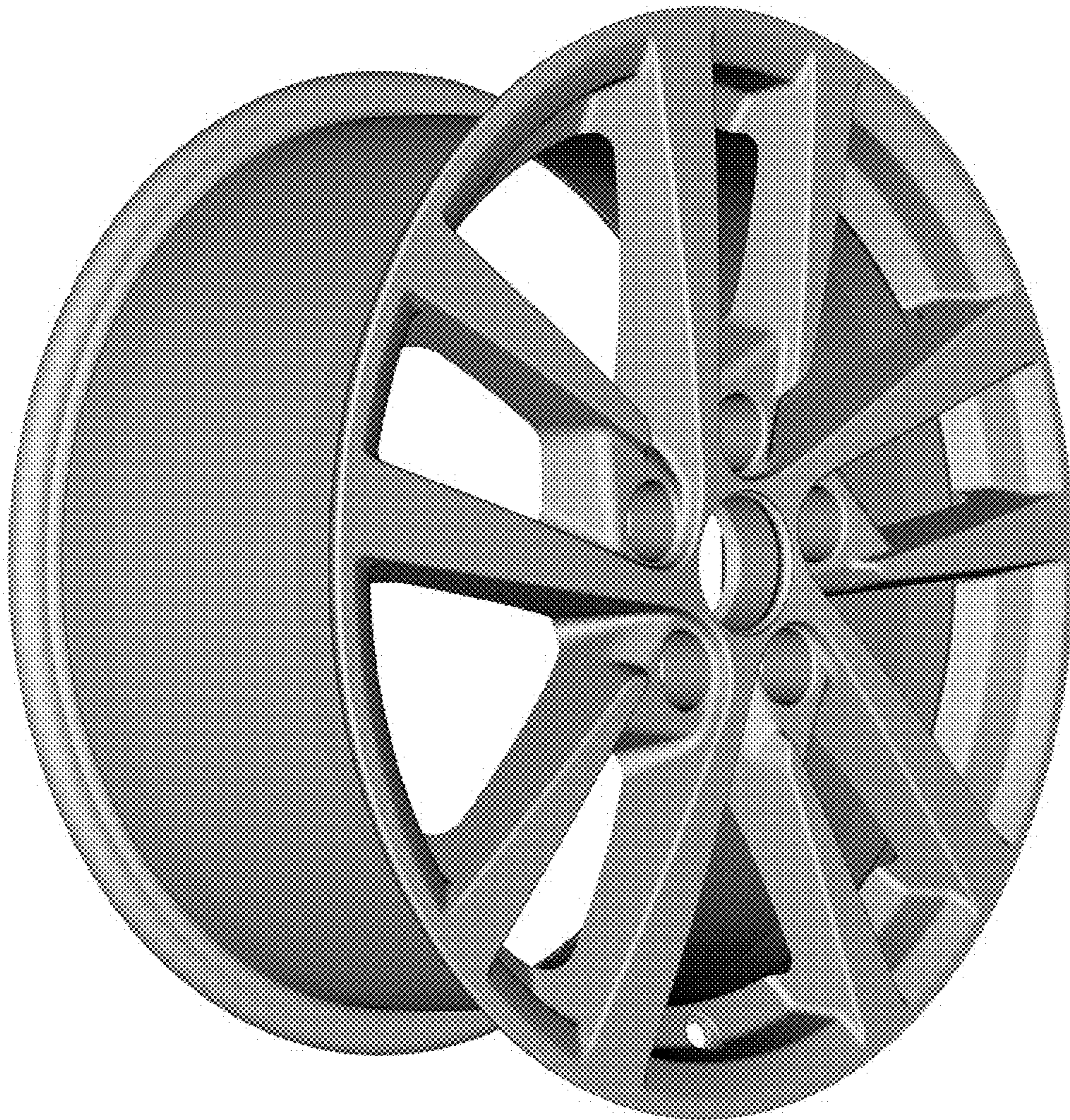


Fig. 2