



US00D795154S

(12) **United States Design Patent**  
**Hans et al.**

(10) **Patent No.:** **US D795,154 S**

(45) **Date of Patent:** **\*\* Aug. 22, 2017**

(54) **WHEEL OR WHEEL COVER**

(71) Applicant: **Daimler AG**, Stuttgart (DE)

(72) Inventors: **Bernhard Hans**, Kirchberg (DE); **Kai Hilpert**, Plochingen (DE)

(73) Assignee: **Daimler AG**, Stuttgart (DE)

(\*\*) Term: **15 Years**

(21) Appl. No.: **29/548,688**

(22) Filed: **Dec. 16, 2015**

(30) **Foreign Application Priority Data**

Jun. 17, 2015 (EM) ..... 002720664-0001  
Jun. 17, 2015 (EM) ..... 002720664-0002

(51) **LOC (10) Cl.** ..... **12-16**

(52) **U.S. Cl.**  
USPC ..... **D12/211**

(58) **Field of Classification Search**  
USPC ..... D12/204–213  
CPC .... B60B 7/00; B60B 7/02; B60B 7/04; B60B 7/01; B60B 7/06; B60B 3/02; B60B 3/04; B60B 3/06; B60B 3/10; B60B 1/00; B60B 1/08; B60B 1/10; B60B 1/12  
See application file for complete search history.

(56) **References Cited**

**U.S. PATENT DOCUMENTS**

D504,098 S \* 4/2005 Gallert ..... D12/209  
D542,211 S \* 5/2007 Hieke ..... D12/211  
D544,823 S \* 6/2007 Hieke ..... D12/211  
D569,776 S \* 5/2008 Hieke ..... D12/211

D582,328 S 12/2008 Hieke  
D585,803 S 2/2009 Hieke  
D602,834 S \* 10/2009 Dilber ..... D12/211  
D618,150 S \* 6/2010 Hilpert ..... D12/209  
D635,906 S \* 4/2011 Futschik ..... D12/211  
D649,106 S \* 11/2011 Hrabcak ..... D12/211  
D649,923 S \* 12/2011 Hans ..... D12/211  
D652,777 S \* 1/2012 Spogis ..... D12/211  
D656,078 S \* 3/2012 Hans ..... D12/211  
D666,547 S \* 9/2012 Hilpert ..... D12/211  
D666,956 S \* 9/2012 Hermann ..... D12/211  
D676,795 S \* 2/2013 Wachter ..... D12/211  
D746,210 S \* 12/2015 Dilber ..... D12/211  
D755,104 S \* 5/2016 Chu ..... D12/211  
D772,134 S \* 11/2016 Vidojkovic ..... D12/211  
D775,050 S \* 12/2016 Vidojkovic ..... D12/211

\* cited by examiner

*Primary Examiner* — Stacia Cadmus

(74) *Attorney, Agent, or Firm* — Crowell & Moring LLP

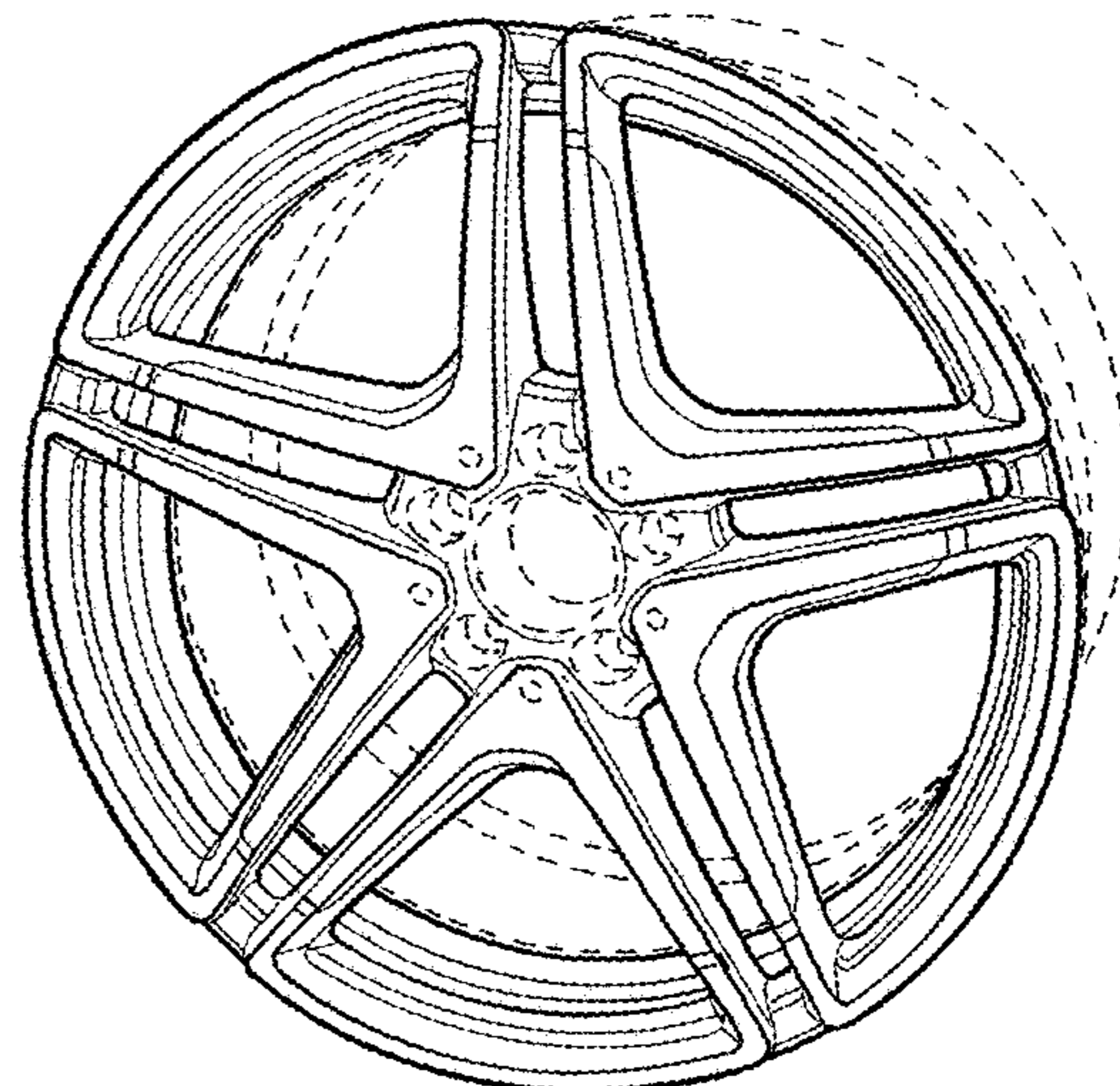
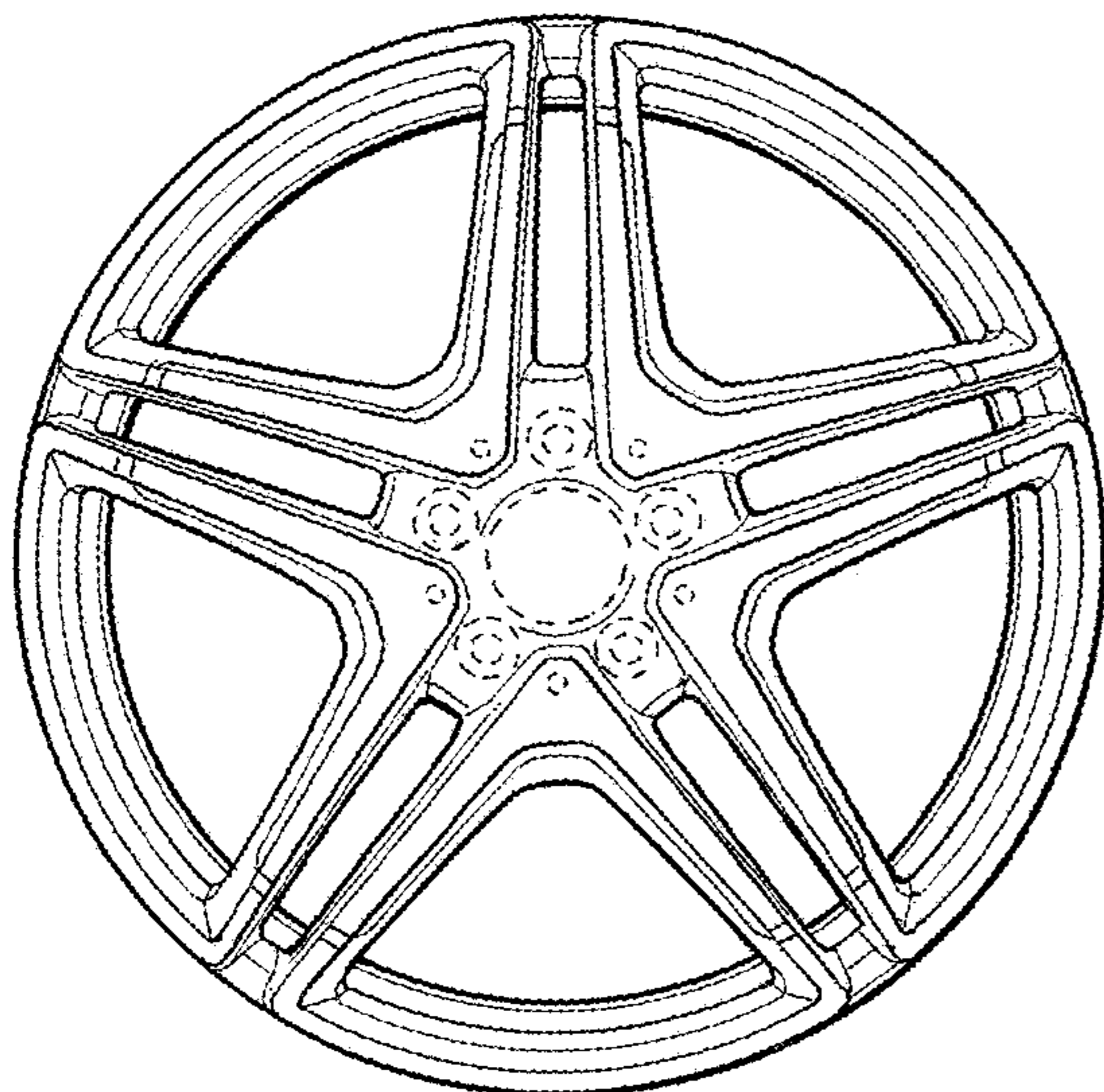
(57) **CLAIM**

The ornamental design for a wheel or wheel cover, as shown and described.

**DESCRIPTION**

FIG. 1 is a front view of a wheel or wheel cover according to the design; and  
FIG. 2 is a perspective view thereof.  
FIG. 3 is a front view of a second embodiment of the wheel or wheel cover according to the design; and,  
FIG. 4 is a perspective view thereof.  
The broken line showing of the rear of the rim, the bolt holes and center hole in the central hub area is included for the purpose of illustrating environmental subject matter and forms no part of the claimed design.

**1 Claim, 2 Drawing Sheets**



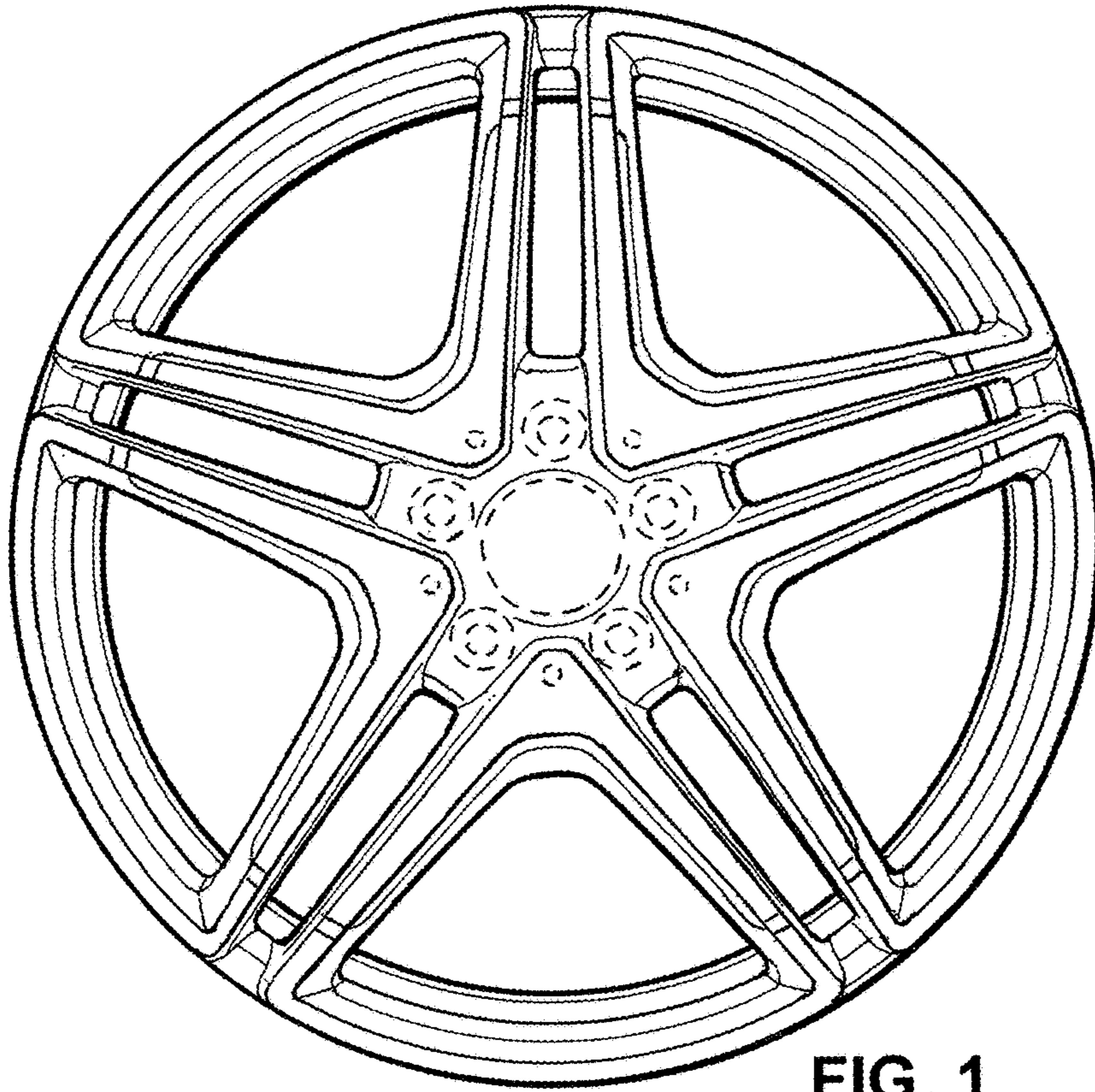


FIG. 1

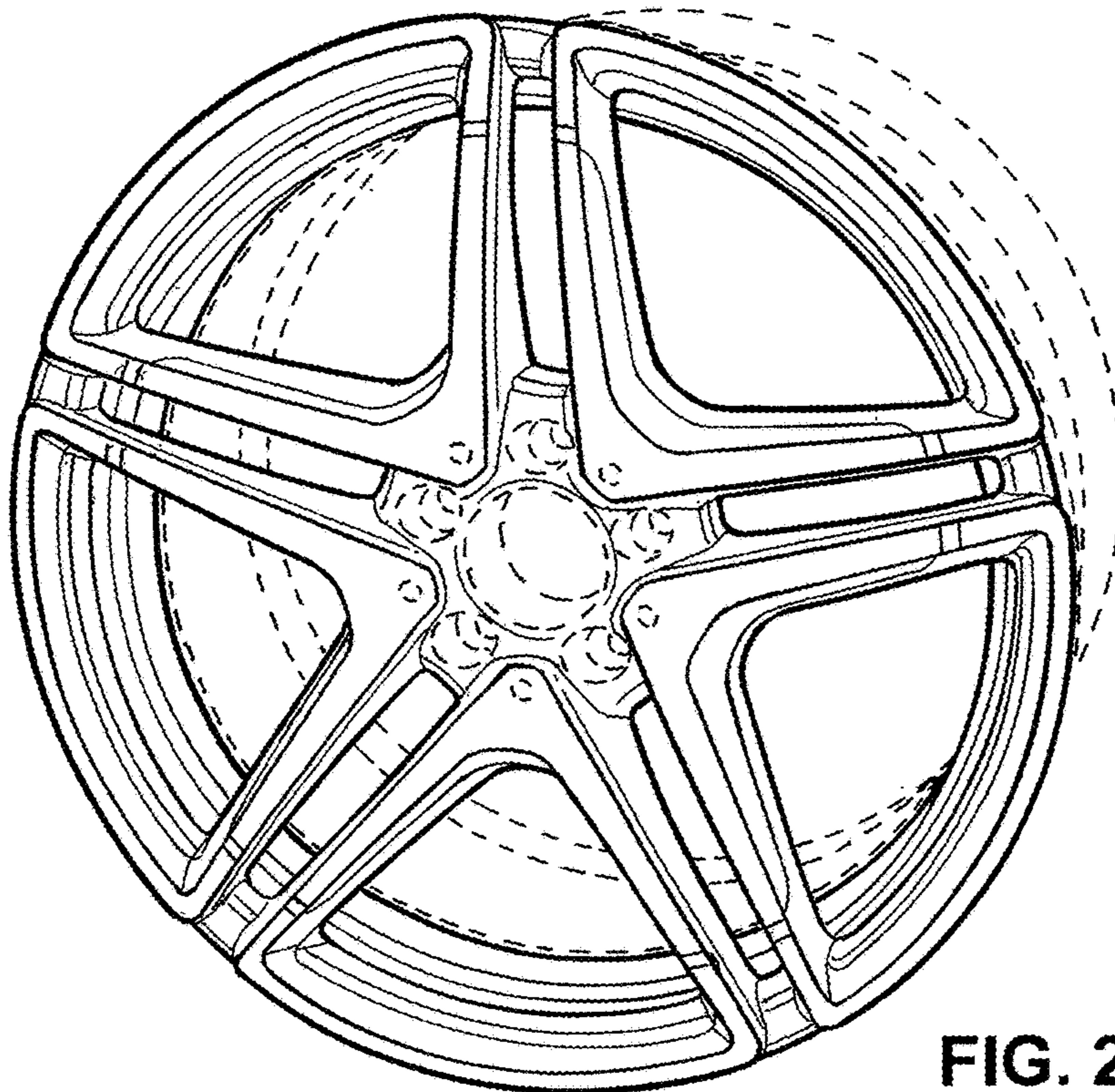


FIG. 2

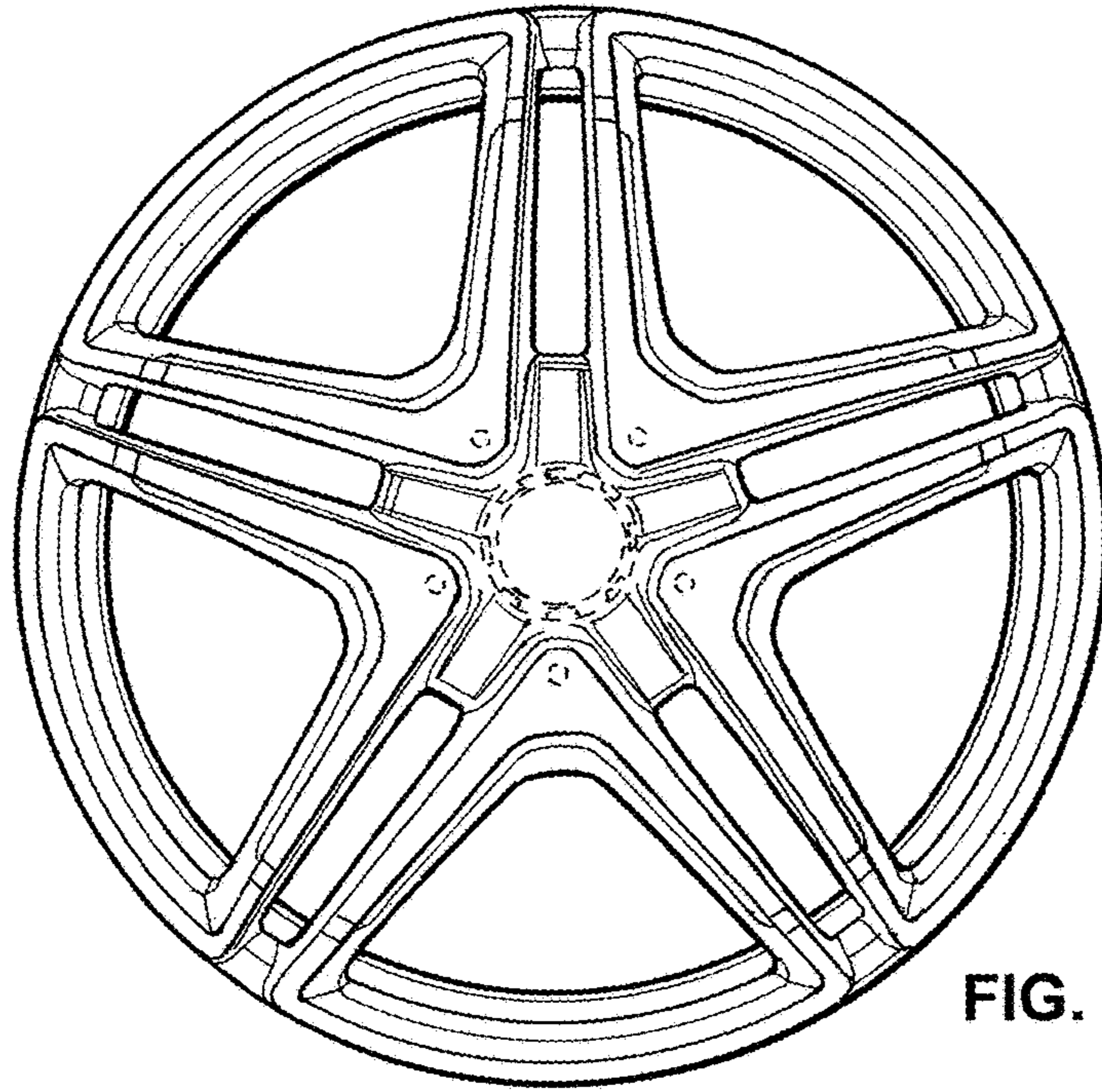


FIG. 3

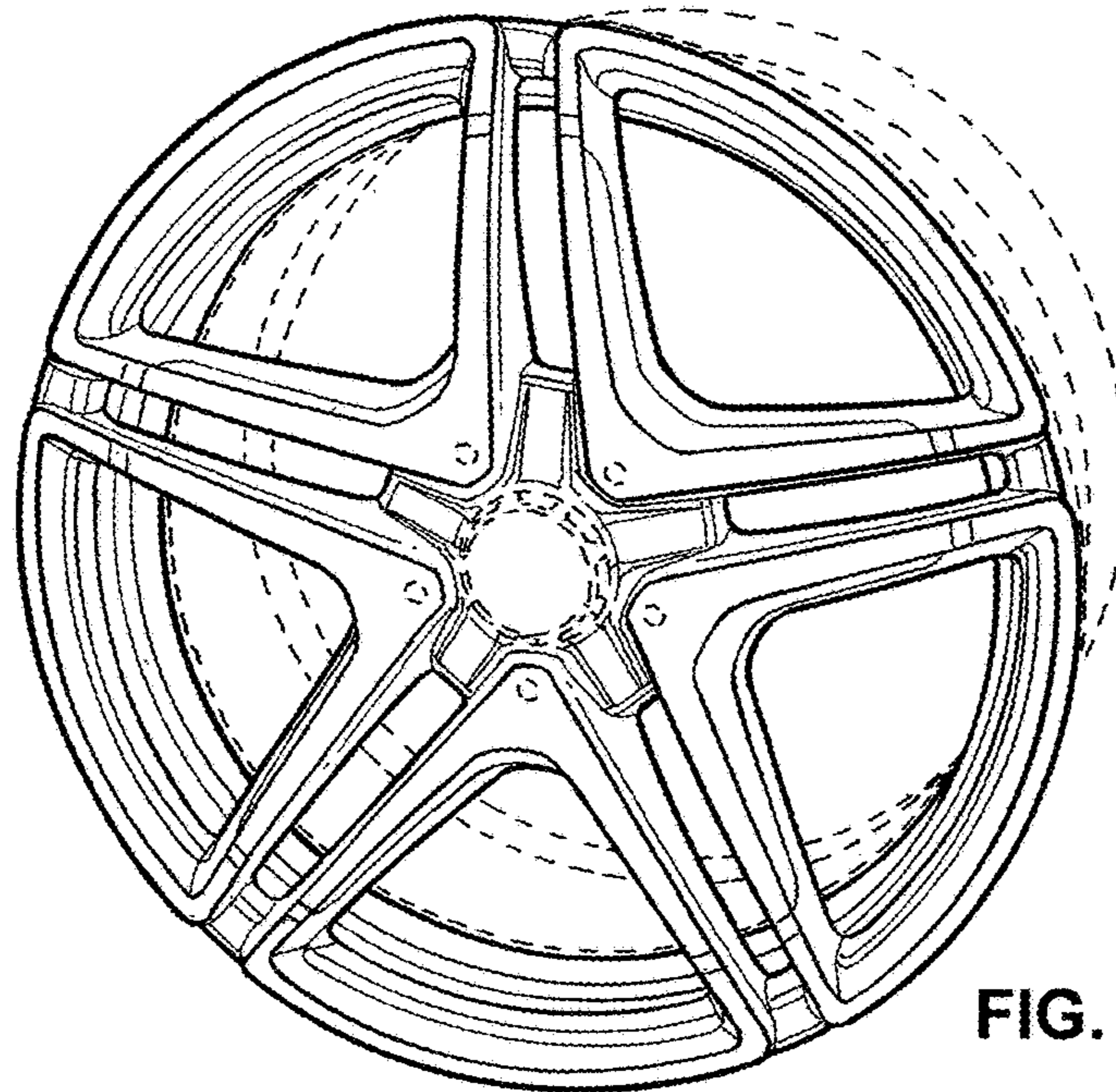


FIG. 4