



US00D795153S

(12) **United States Design Patent**  
**Peat**

(10) **Patent No.:** **US D795,153 S**

(45) **Date of Patent:** **\*\* Aug. 22, 2017**

(54) **WHEEL**

(71) Applicant: **Jaguar Land Rover Limited**, Whitley,  
Coventry (GB)

(72) Inventor: **Anthony Peat**, Coventry (GB)

(73) Assignee: **Jaguar Land Rover Limited**, Whitley,  
Coventry (GB)

(\*\*) Term: **15 Years**

(21) Appl. No.: **29/538,452**

(22) Filed: **Sep. 3, 2015**

(30) **Foreign Application Priority Data**

Mar. 16, 2015 (EM) ..... 002656405

(51) **LOC (10) Cl.** ..... **12-16**

(52) **U.S. Cl.**  
USPC ..... **D12/211**

(58) **Field of Classification Search**

USPC ..... D12/204–213

CPC .... B60B 7/00; B60B 7/02; B60B 7/04; B60B

7/01; B60B 7/06; B60B 3/02; B60B 3/04;

B60B 3/06; B60B 3/10; B60B 1/00;

B60B 1/08; B60B 1/10; B60B 1/12

See application file for complete search history.

(56) **References Cited**

**U.S. PATENT DOCUMENTS**

D410,426 S \* 6/1999 Frizzi ..... D12/211

D460,942 S \* 7/2002 Lee ..... D12/211

D483,714 S \* 12/2003 Warming ..... D12/211

D506,172 S \* 6/2005 Pfeiffer ..... D12/211

D528,495 S *	9/2006	Truebsbach .....	D12/211
D593,017 S *	5/2009	Antoniadis .....	D12/209
D604,685 S *	11/2009	Zhou .....	D12/211
D614,112 S *	4/2010	Tant .....	D12/211
D635,907 S *	4/2011	Futschik .....	D12/211
D660,771 S *	5/2012	Mueller-Stolz .....	D12/211
D683,689 S *	6/2013	Fahr-Becker .....	D12/211
D704,617 S *	5/2014	Chung .....	D12/211
D706,197 S *	6/2014	Chung .....	D12/211
D713,316 S *	9/2014	Song .....	D12/211
D717,709 S *	11/2014	Valencia Pollex .....	D12/209
D724,516 S *	3/2015	Di Buduo .....	D12/211
D765,004 S *	8/2016	Holstein .....	D12/211
D765,005 S *	8/2016	Garbas .....	D12/211

\* cited by examiner

*Primary Examiner* — Stacia Cadmus

(74) *Attorney, Agent, or Firm* — Wood Herron & Evans  
LLP

(57) **CLAIM**

The ornamental design for a wheel, as shown and described.

**DESCRIPTION**

FIG. 1 is a front left perspective view of a wheel for a vehicle according to the present invention.

FIG. 2 is a front view of the wheel shown in FIG. 1.

FIG. 3 is a left side view thereof.

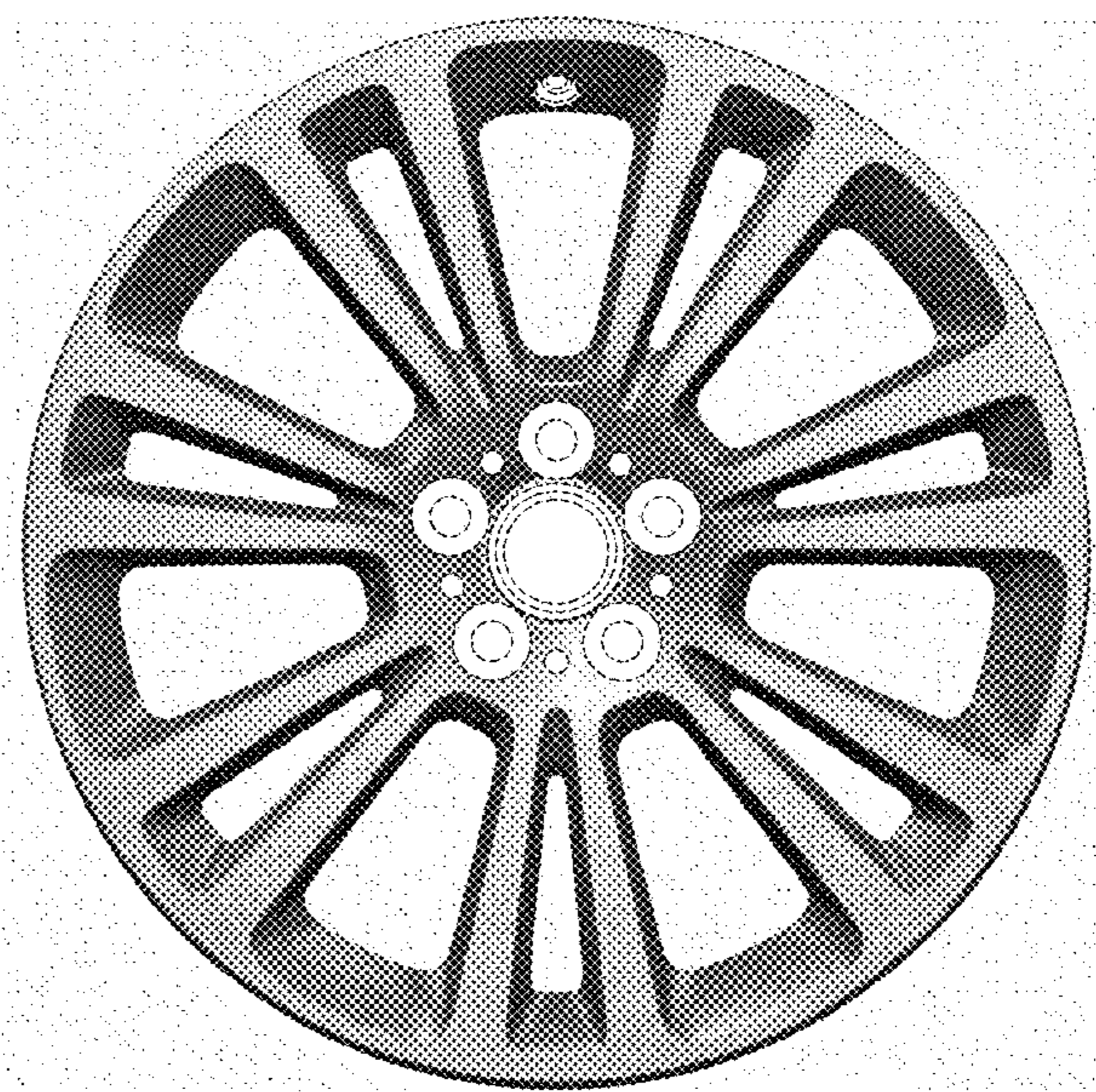
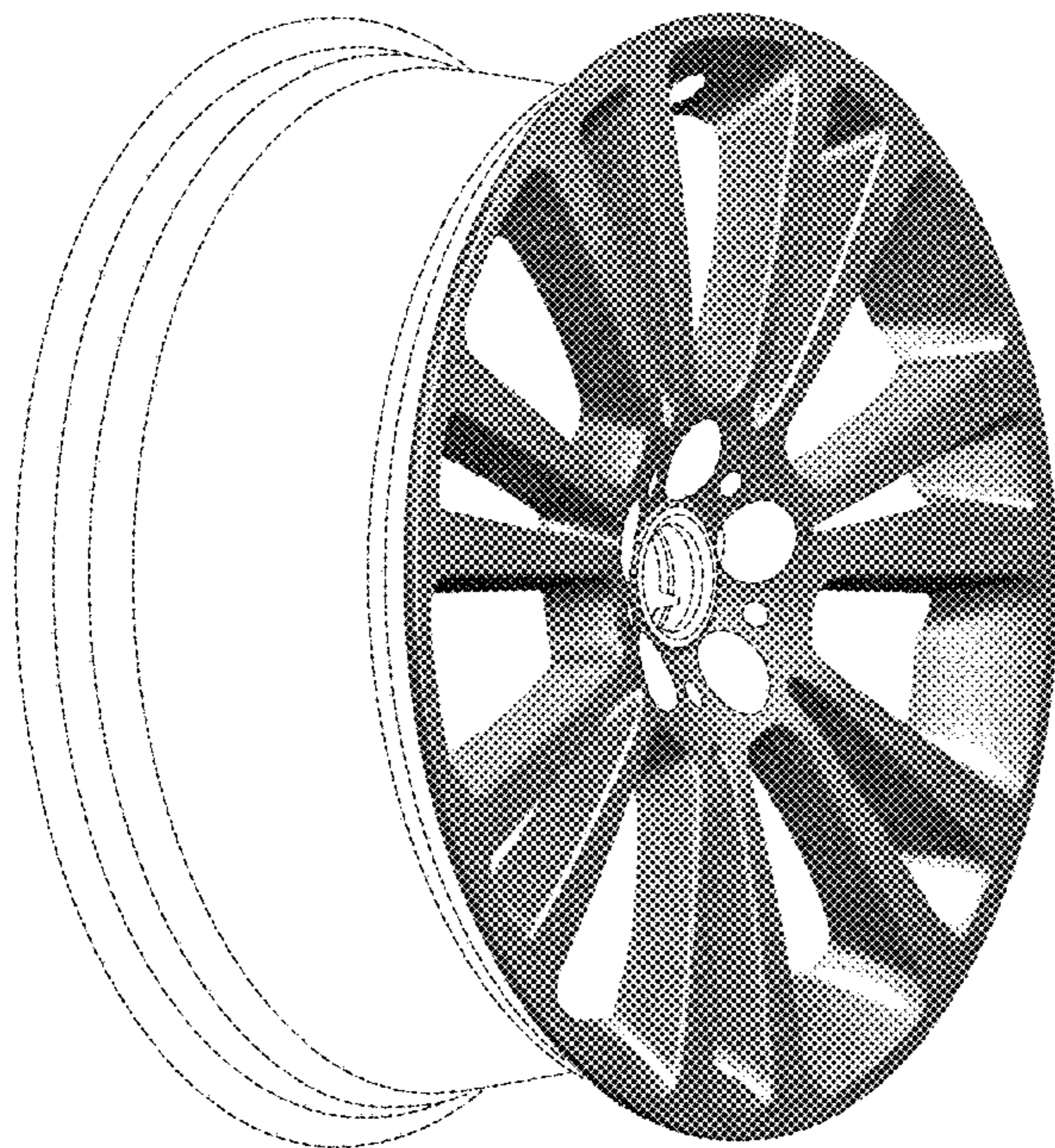
FIG. 4 is a front left perspective view of a wheel for a vehicle according to a second embodiment of the present invention.

FIG. 5 is a front view of the wheel shown in FIG. 4; and,

FIG. 6 is a left side view thereof.

The broken line showing of the rear of the rim, the valve stem hole, the bolt holes and the center hole in the central hub area is included for the purpose of illustrating environment and forms no part of the claimed design.

**1 Claim, 6 Drawing Sheets**





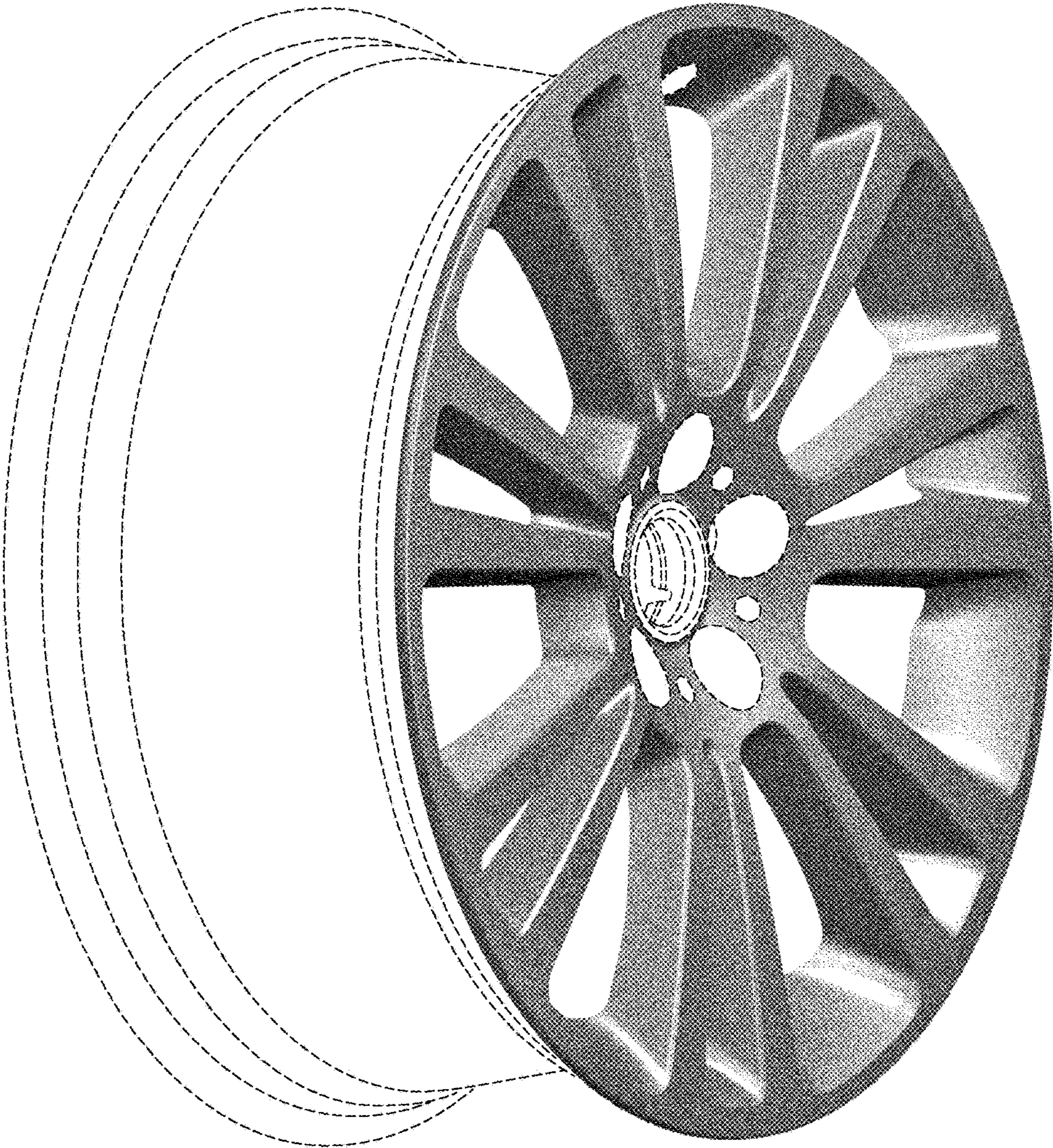


FIG. 1



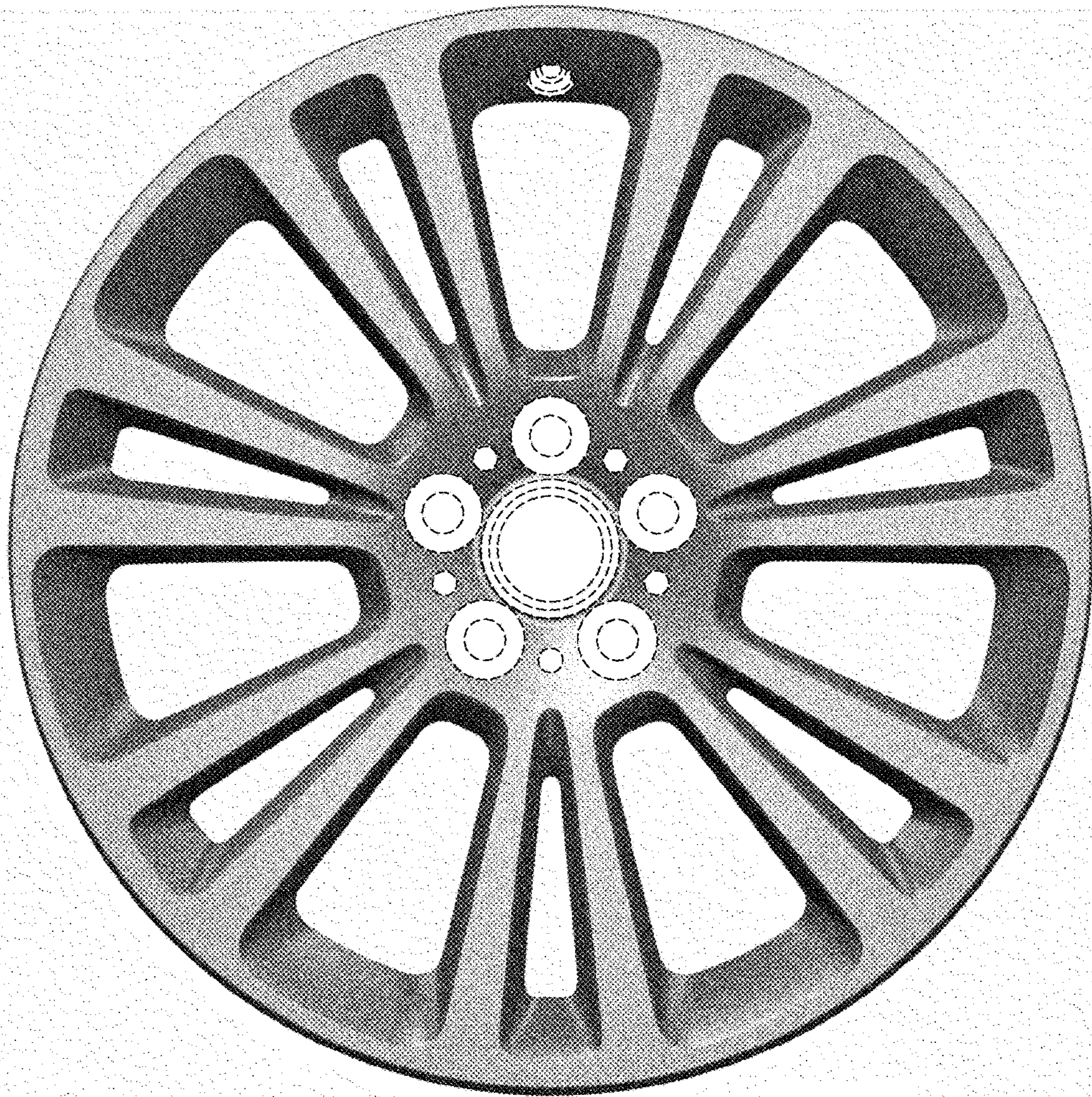


FIG. 2



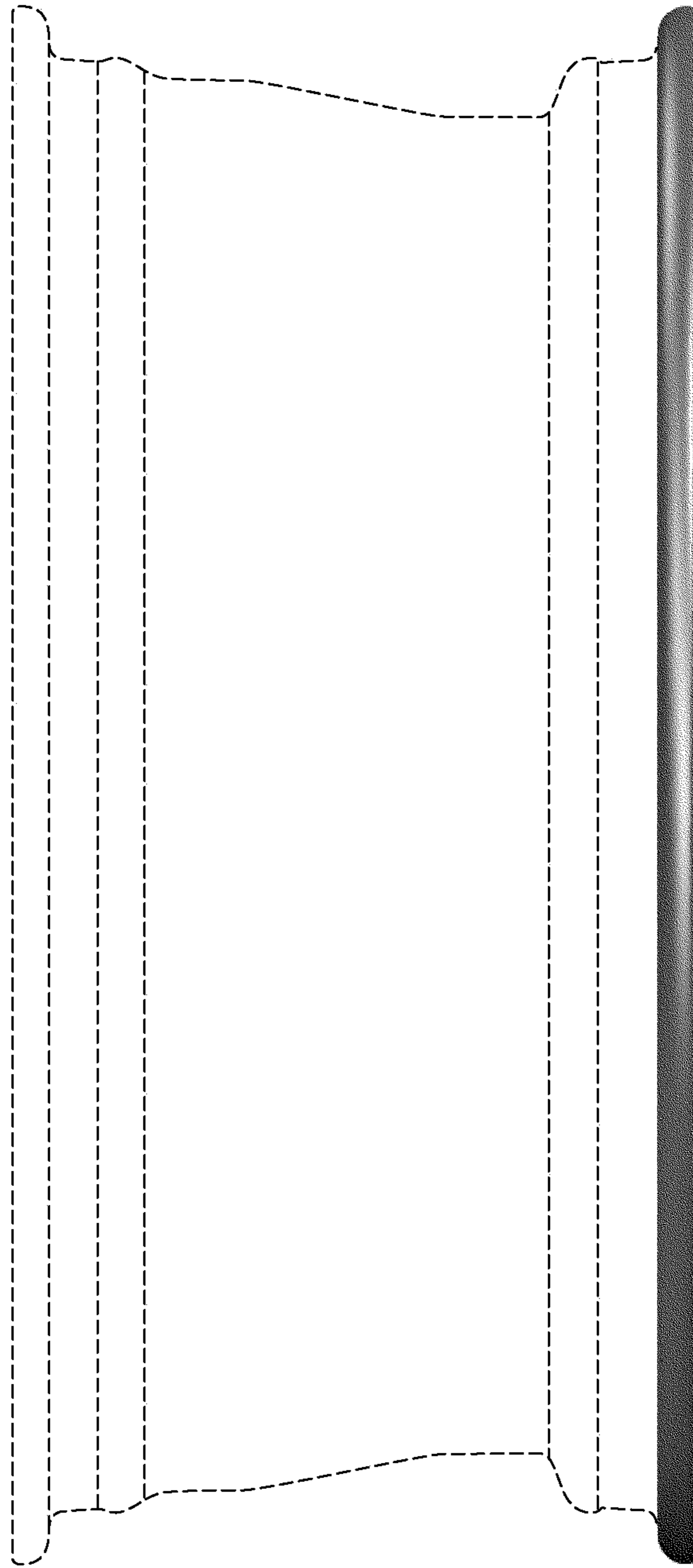


FIG. 3



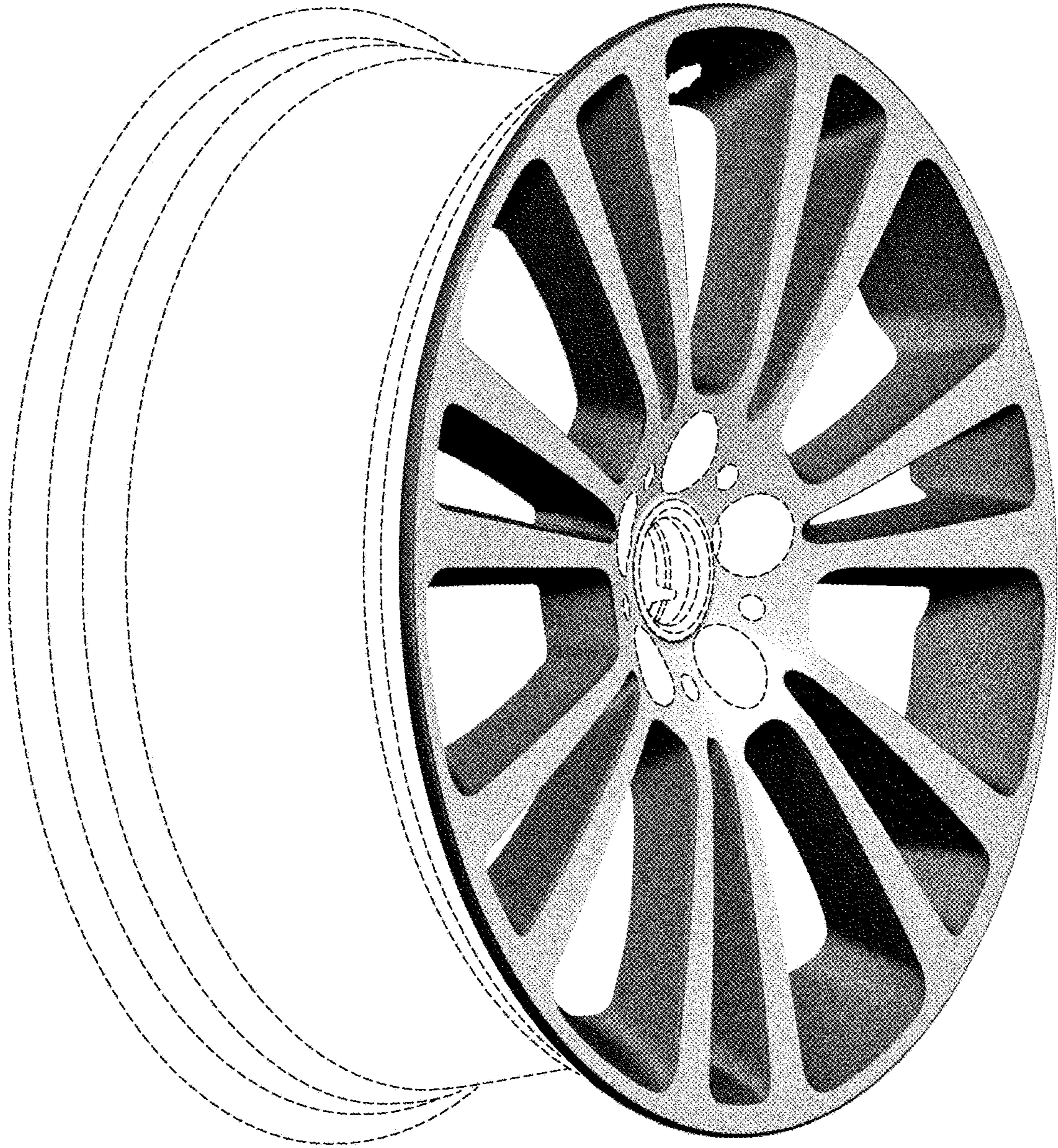


FIG. 4





FIG. 5

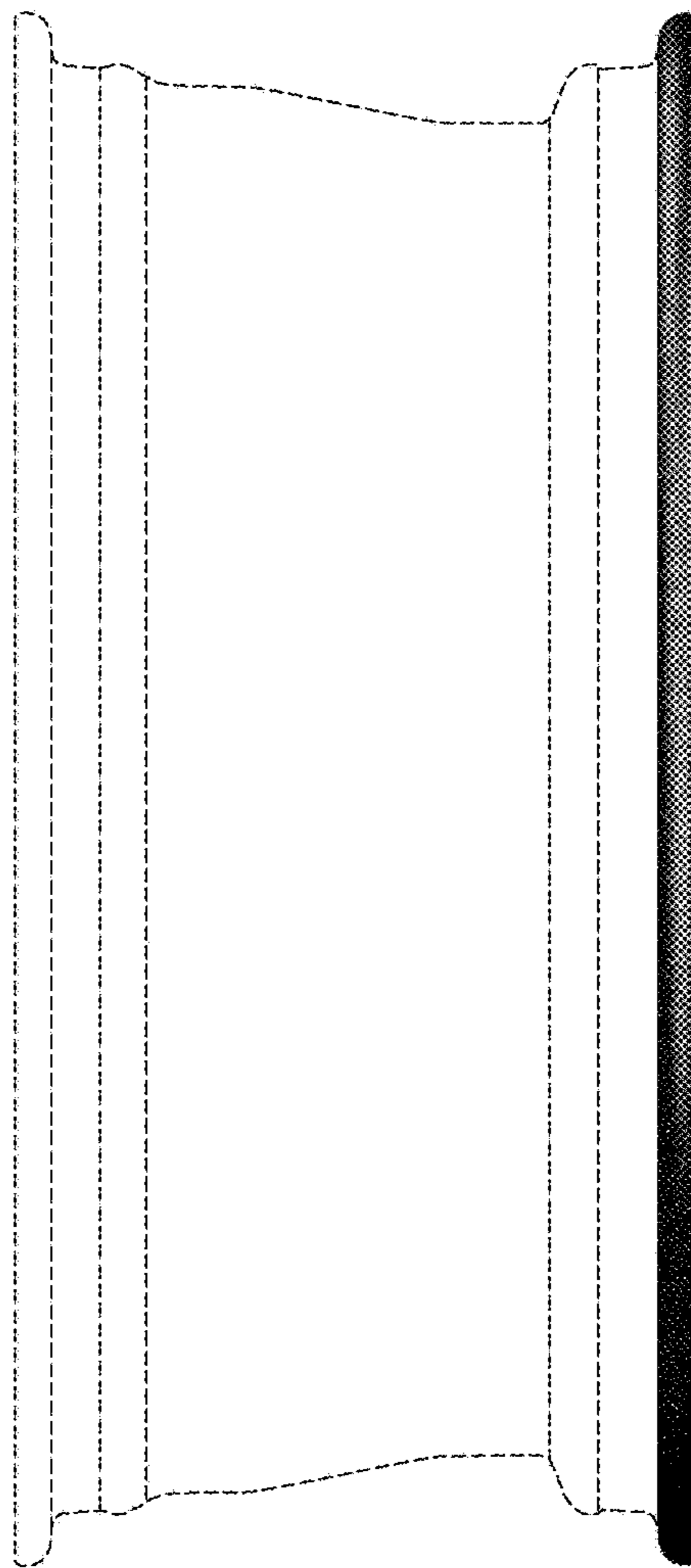


FIG. 6