



US00D795152S

(12) **United States Design Patent** (10) **Patent No.:** **US D795,152 S**
Peat (45) **Date of Patent:** **** Aug. 22, 2017**

- (54) **WHEEL**
- (71) Applicant: **Jaguar Land Rover Limited**, Whitley, Coventry (GB)
- (72) Inventor: **Anthony Peat**, Coventry (GB)
- (73) Assignee: **Jaguar Land Rover Limited**, Whitley, Coventry (GB)
- (**) Term: **15 Years**
- (21) Appl. No.: **29/538,451**
- (22) Filed: **Sep. 3, 2015**
- (30) **Foreign Application Priority Data**

Mar. 16, 2015 (EM) 002656405

- (51) **LOC (10) Cl.** **12-16**
- (52) **U.S. Cl.**
USPC **D12/211**
- (58) **Field of Classification Search**
USPC D12/204–213
CPC B60B 7/00; B60B 7/02; B60B 7/04; B60B 7/01; B60B 7/06; B60B 3/02; B60B 3/04; B60B 3/06; B60B 3/10; B60B 1/00; B60B 1/08; B60B 1/10; B60B 1/12
See application file for complete search history.

(56) **References Cited**

U.S. PATENT DOCUMENTS

D450,647 S	*	11/2001	Pfeiffer	D12/211
D457,478 S	*	5/2002	Minamisawa	D12/211
D477,262 S	*	7/2003	Koch	D12/209
D587,177 S	*	2/2009	Scheu	D12/209
D594,397 S	*	6/2009	Laengerer	D12/211
D644,977 S	*	9/2011	Juergens	D12/211

D651,961 S	*	1/2012	Ectors	D12/211
D670,632 S	*	11/2012	Schweizer	D12/211
D673,104 S	*	12/2012	Lemke	D12/211
D682,764 S	*	5/2013	Amezketta	D12/211
D715,715 S	*	10/2014	Pollmann	D12/209
D718,206 S	*	11/2014	Song	D12/211
D723,986 S	*	3/2015	Lemke	D12/209
D744,402 S	*	12/2015	Watkin	D12/211
D744,403 S	*	12/2015	Mielke	D12/211
D748,558 S	*	2/2016	Hans	D12/211
D749,029 S	*	2/2016	Wheel	D12/211
D753,572 S	*	4/2016	Juergens	D12/211
D753,574 S	*	4/2016	Mielke	D12/211
D756,880 S	*	5/2016	Zhao	D12/211
D761,182 S	*	7/2016	Valencia Pollex	D12/211
D762,155 S	*	7/2016	Juergens	D12/211
D766,155 S	*	9/2016	Wheel	D12/211
D767,466 S	*	9/2016	Juergens	D12/211
D770,957 S	*	11/2016	Chung	D12/211
D777,074 S	*	1/2017	Valencia Pollex	D12/211
D778,801 S	*	2/2017	Bucher	D12/211

* cited by examiner

Primary Examiner — Stacia Cadmus

(74) *Attorney, Agent, or Firm* — Wood Herron & Evans LLP

(57) **CLAIM**

The ornamental design for a wheel, as shown and described.

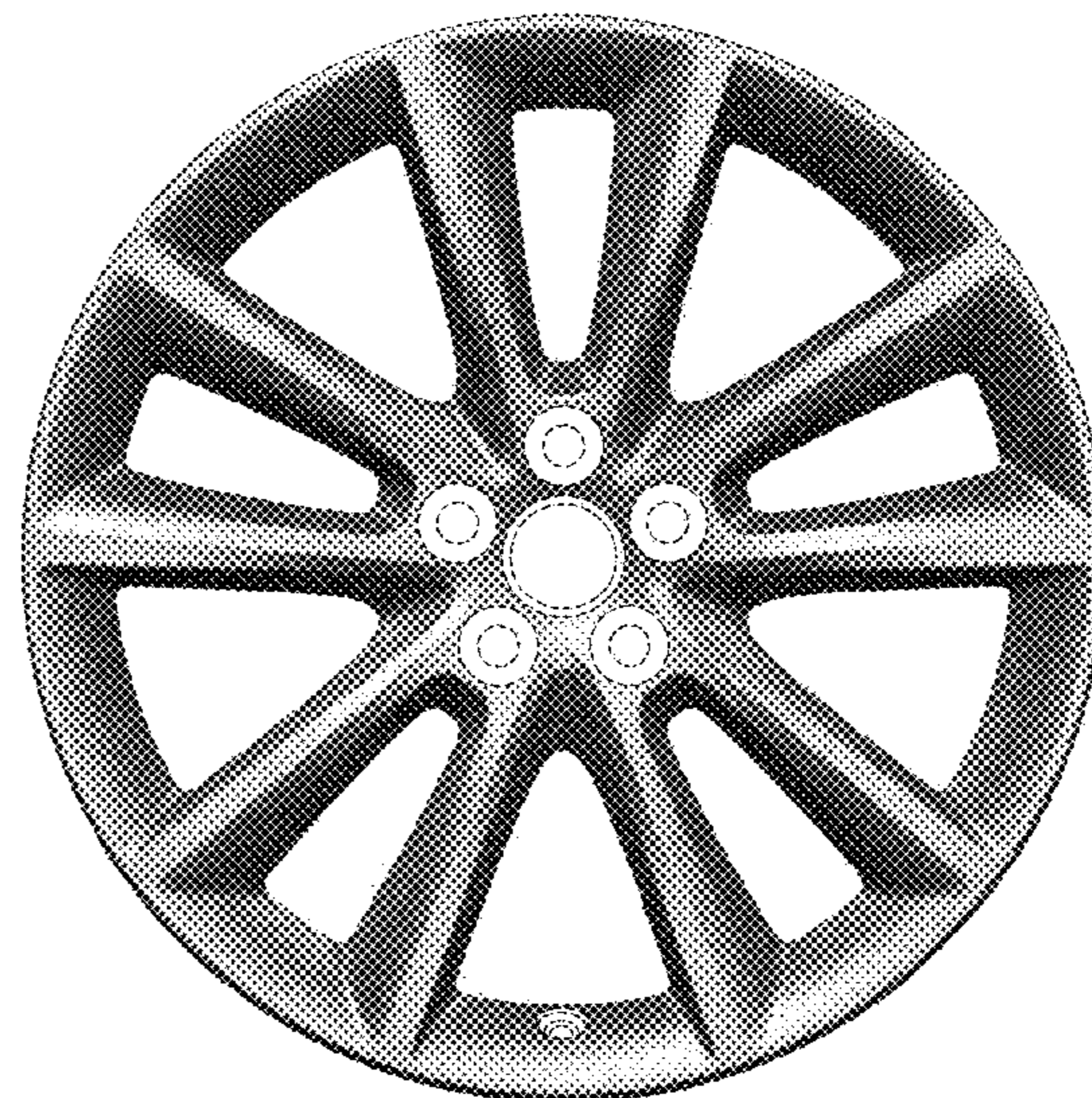
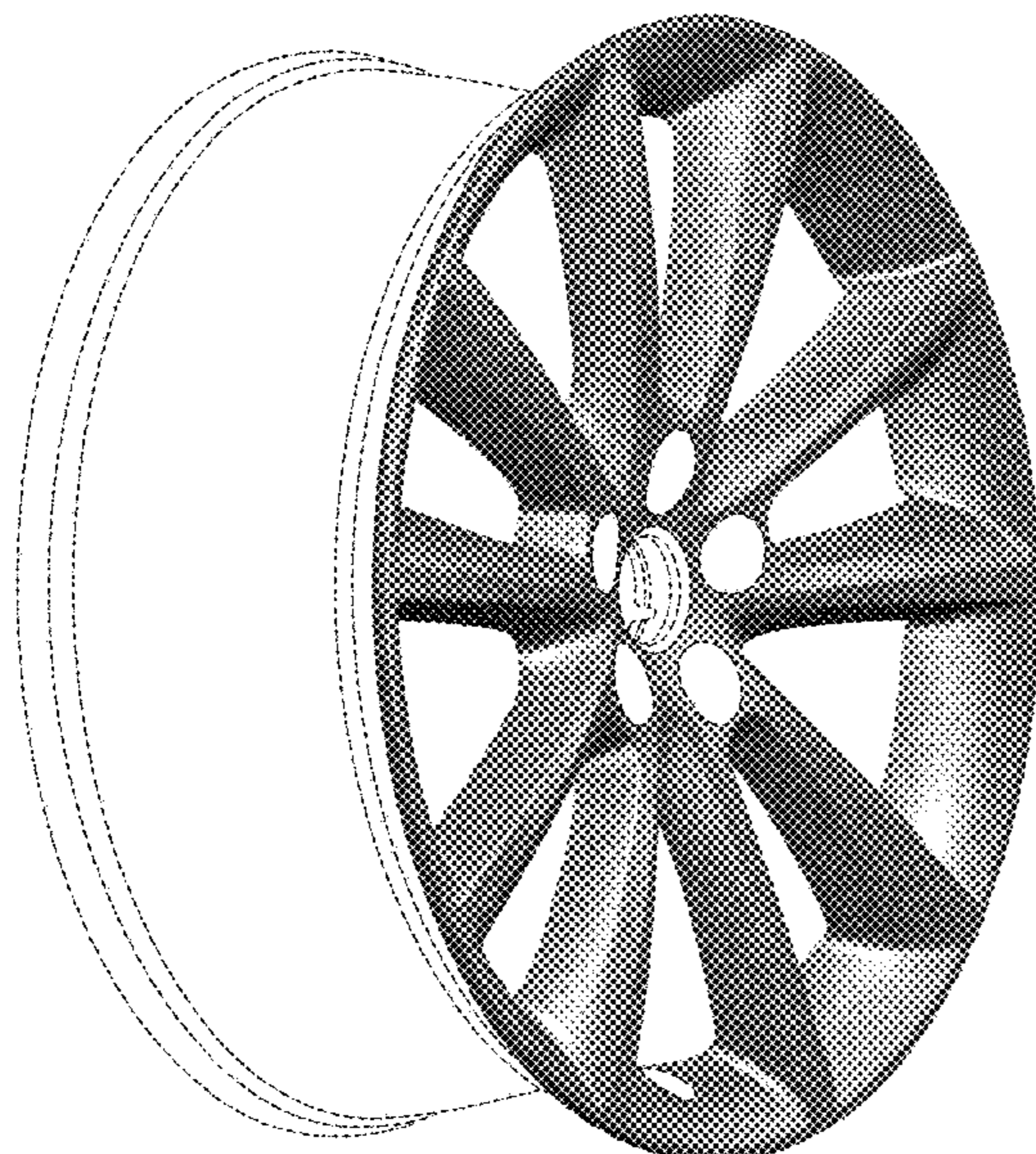
DESCRIPTION

FIG. 1 is a front left perspective view of a wheel for a vehicle according to the present invention.

FIG. 2 is a front view of the wheel shown in FIG. 1; and, FIG. 3 is a left side view thereof.

The broken line showing of the rear of the rim, the valve stem hole, the bolt holes and the center hole in the central hub area is included for the purpose of illustrating environment and forms no part of the claimed design.

1 Claim, 3 Drawing Sheets



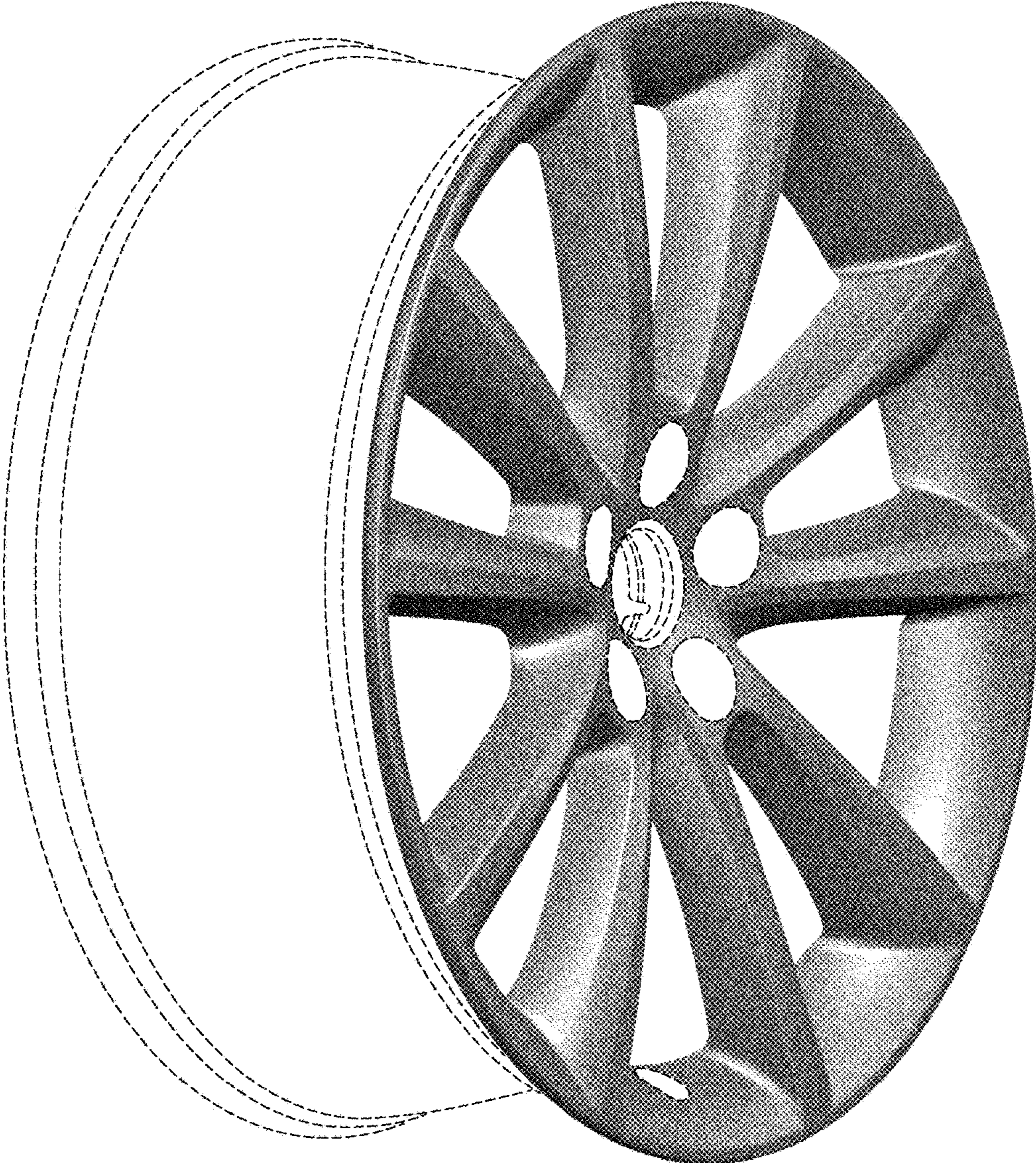


FIG. 1



FIG. 2

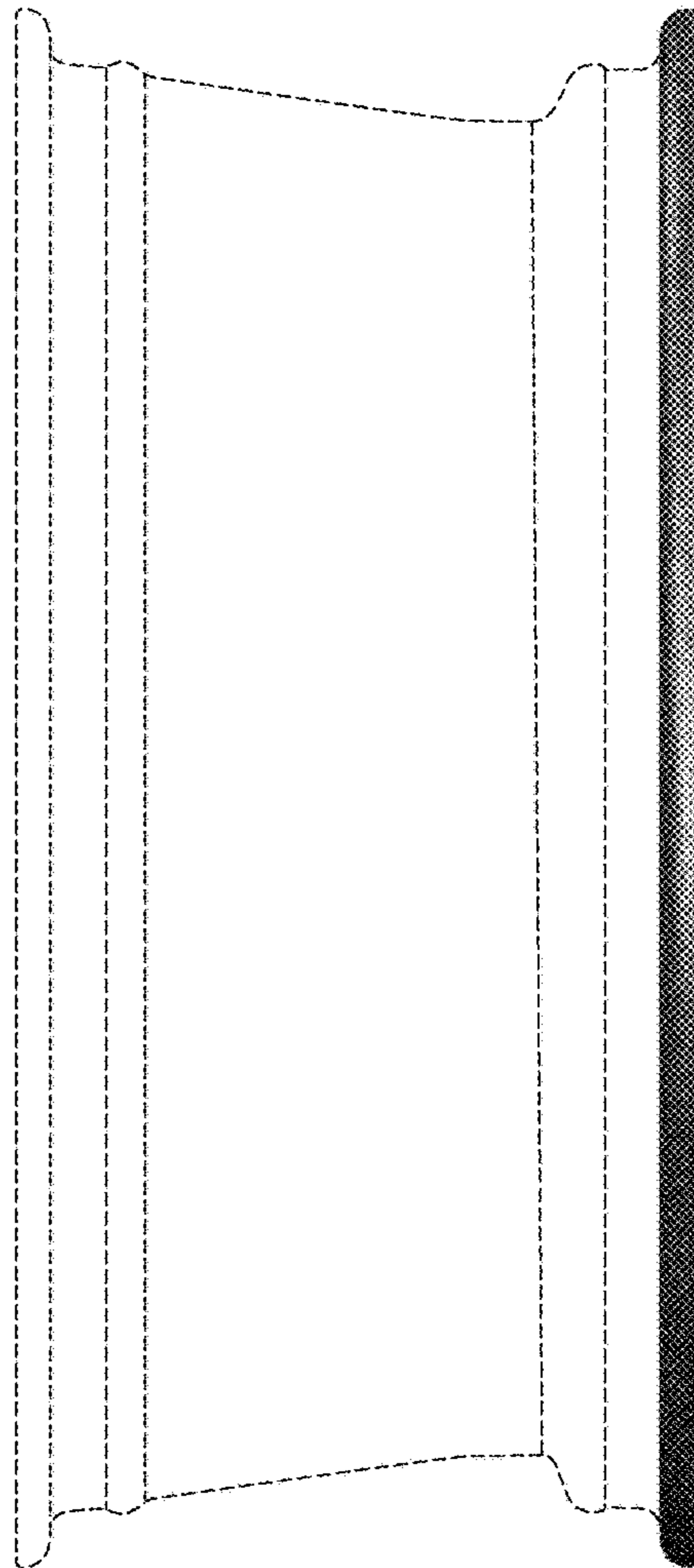


FIG. 3