



US00D795151S

(12) **United States Design Patent**  
**Valencia Pollex**

(10) **Patent No.:** **US D795,151 S**

(45) **Date of Patent:** **\*\* Aug. 22, 2017**

(54) **VEHICLE WHEEL RIM**

(71) Applicant: **AUDI AG**, Ingolstadt (DE)

(72) Inventor: **Andreas Valencia Pollex**, Ingolstadt (DE)

(73) Assignee: **AUDI AG**, Ingolstadt (DE)

(\*\*) Term: **15 Years**

(21) Appl. No.: **29/578,292**

(22) Filed: **Sep. 20, 2016**

(30) **Foreign Application Priority Data**

Mar. 21, 2016 (EM) ..... 003 037 712-0012

(51) **LOC (10) Cl.** ..... **12-16**

(52) **U.S. Cl.**  
USPC ..... **D12/209**

(58) **Field of Classification Search**  
USPC ..... D12/204-213  
CPC .... B60B 7/00; B60B 7/02; B60B 7/04; B60B 7/01; B60B 7/06; B60B 3/02; B60B 3/04; B60B 3/06; B60B 3/10; B60B 1/00; B60B 1/08; B60B 1/10; B60B 1/12  
See application file for complete search history.

(56) **References Cited**

**U.S. PATENT DOCUMENTS**

D525,184 S *	7/2006	Huet	.....	D12/211
D527,333 S *	8/2006	Blasi	.....	D12/211
D593,020 S *	5/2009	Blasi	.....	D12/211
D613,230 S *	4/2010	Antoniadis	.....	D12/211

D617,717 S *	6/2010	Nordmann	.....	D12/211
D626,489 S *	11/2010	Laengerer	.....	D12/211
D632,240 S *	2/2011	Szews	.....	D12/211
D635,077 S *	3/2011	Nordmann	.....	D12/209
D639,225 S *	6/2011	Forschner	.....	D12/211
D639,226 S *	6/2011	Juergens	.....	D12/211
D669,010 S *	10/2012	Nakano	.....	D12/211
D671,060 S *	11/2012	Baum	.....	D12/209
D671,881 S *	12/2012	Roura	.....	D12/211
D686,965 S *	7/2013	Pollmann	.....	D12/211
D697,016 S *	1/2014	Gonser	.....	D12/211
D705,153 S *	5/2014	Hall	.....	D12/209
D718,207 S *	11/2014	Grake	.....	D12/211
D734,233 S *	7/2015	Wheel	.....	D12/209
D748,559 S *	2/2016	Zhao	.....	D12/211
D764,999 S *	8/2016	Song	.....	D12/209
D769,168 S *	10/2016	Valencia Pollex	.....	D12/211
D769,784 S *	10/2016	Bazinski	.....	D12/209
D774,435 S *	12/2016	Vartola	.....	D12/209
D781,206 S *	3/2017	Giolito	.....	D12/211
D783,497 S *	4/2017	Vartola	.....	D12/211
D785,533 S *	5/2017	Pires	.....	D12/209

\* cited by examiner

*Primary Examiner* — Stacia Cadmus

(74) *Attorney, Agent, or Firm* — Lucas & Mercanti, LLP; Klaus P. Stoffel

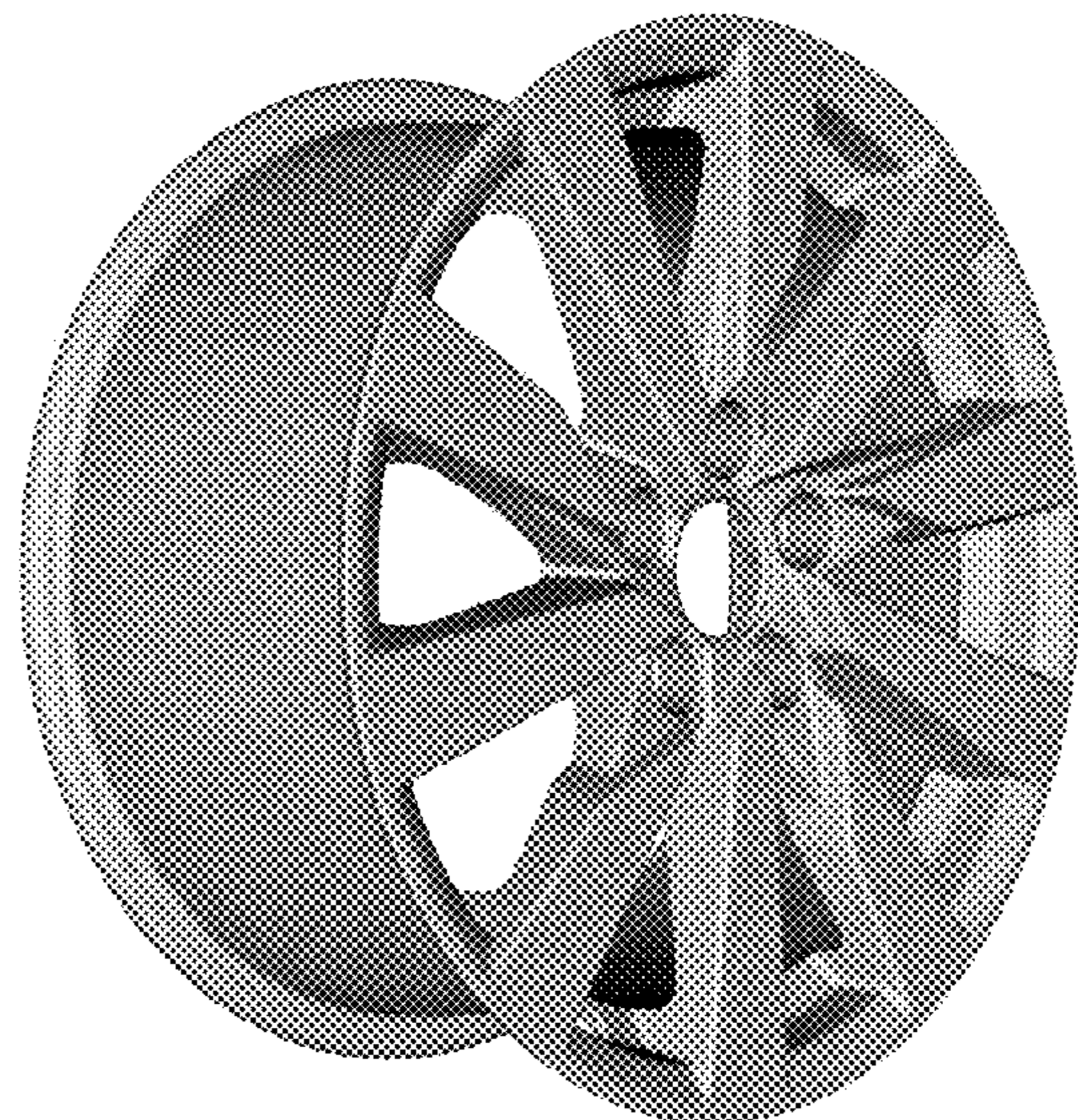
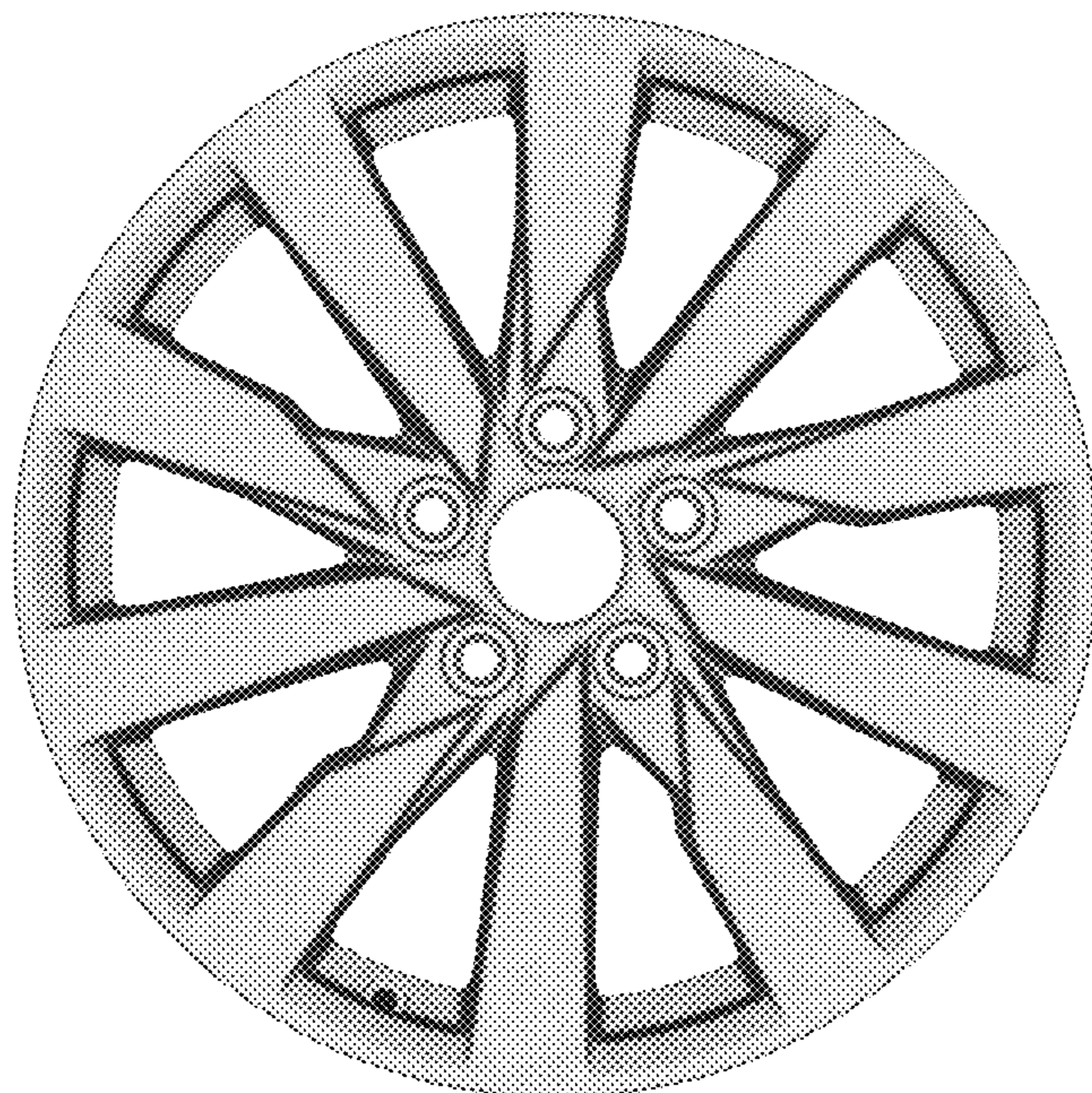
(57) **CLAIM**

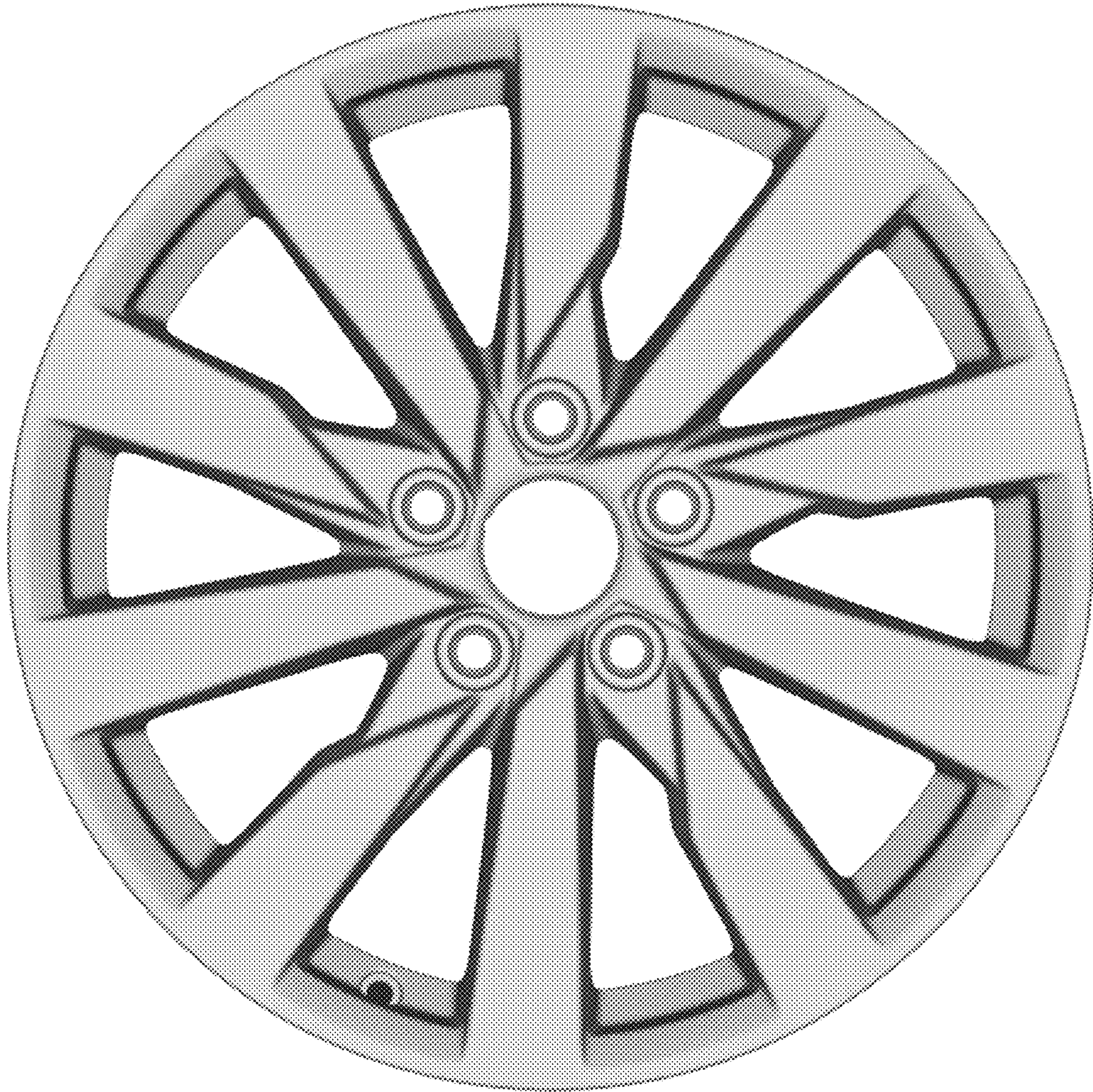
The ornamental design for a vehicle wheel rim, as shown and described.

**DESCRIPTION**

FIG. 1 is a front view of the vehicle wheel rim of the present invention; and,  
FIG. 2 is a front, side perspective view thereof.

**1 Claim, 2 Drawing Sheets**





**Fig. 1**

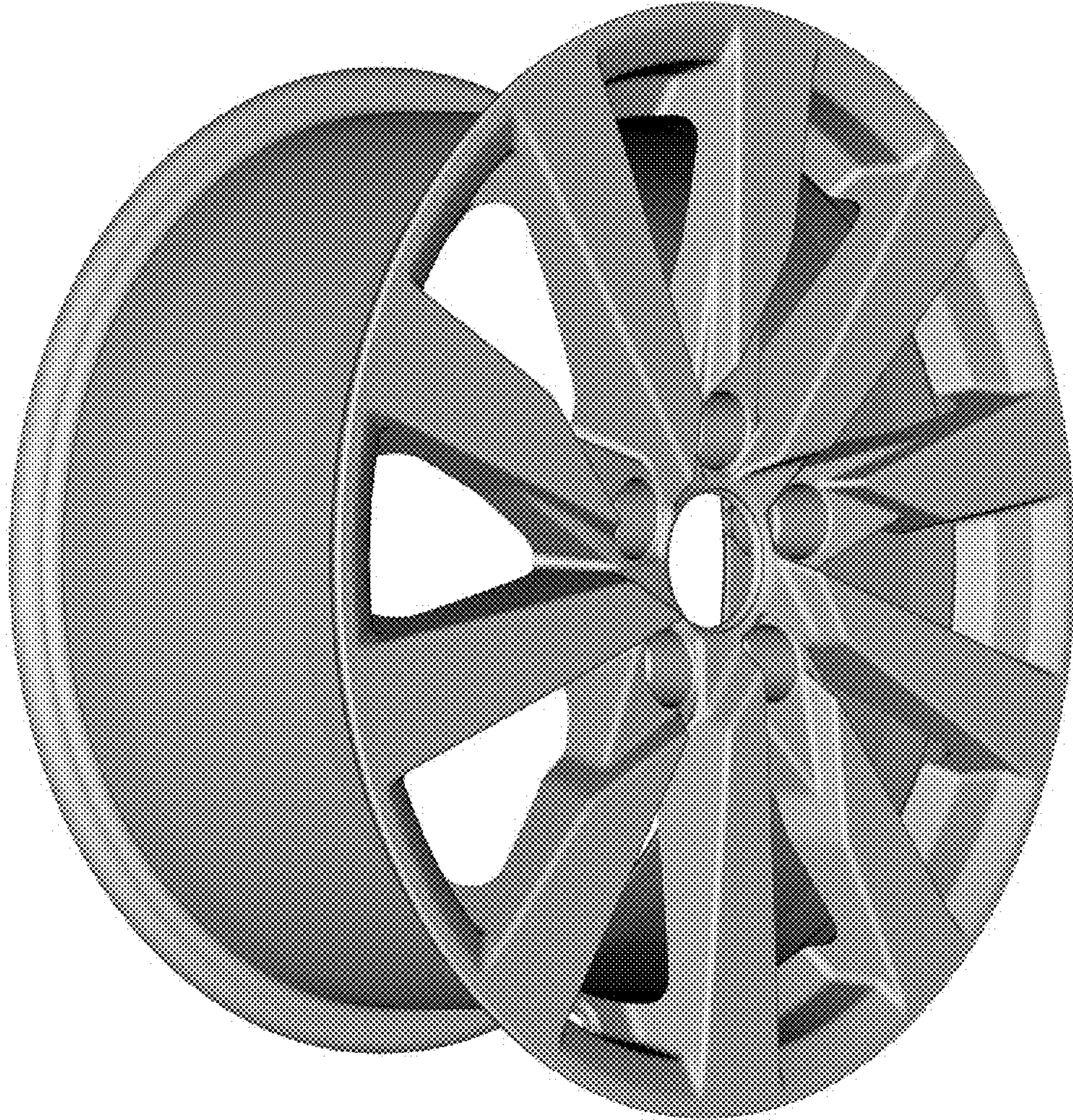


Fig. 2